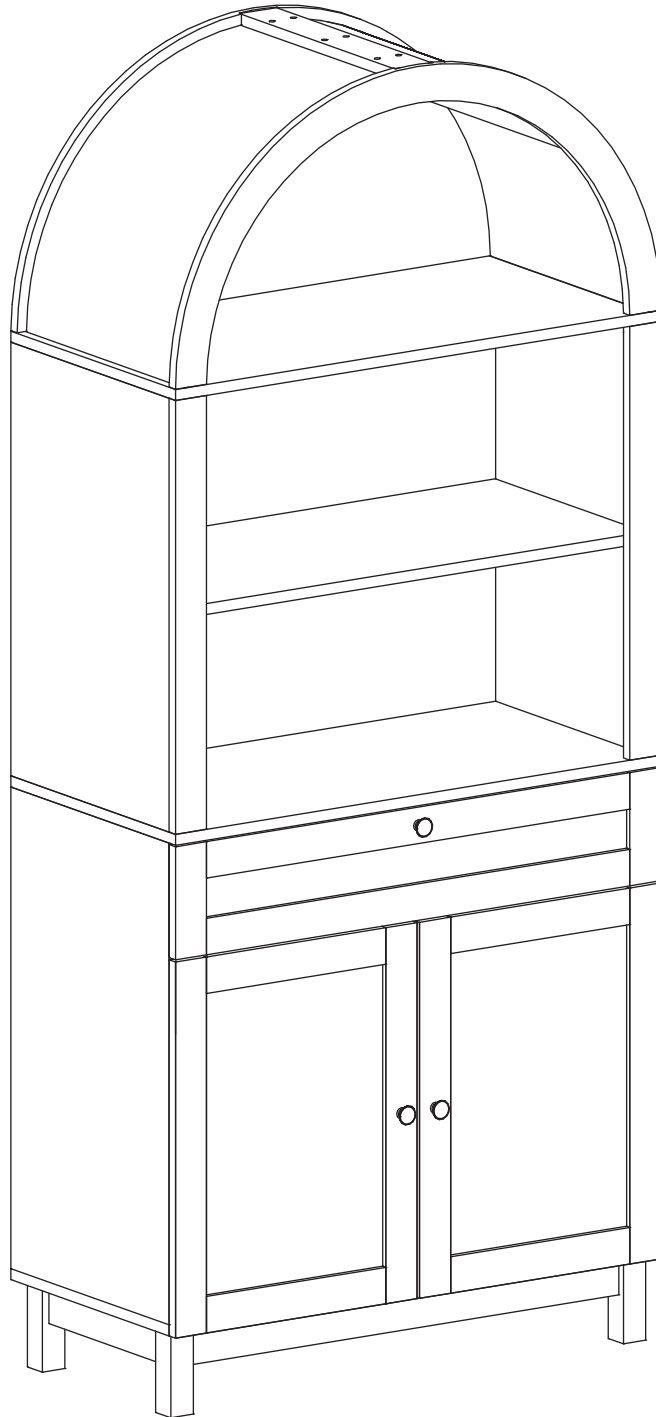
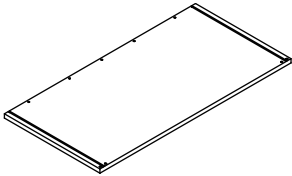
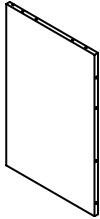
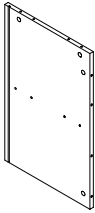
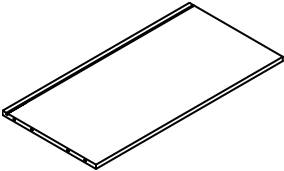
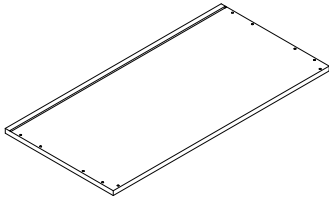
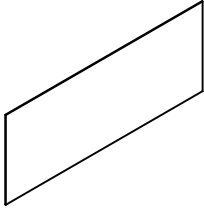


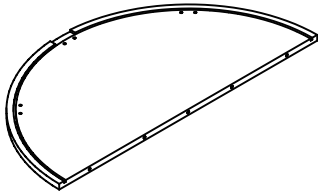
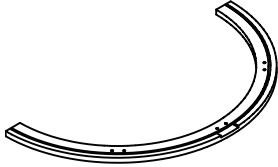
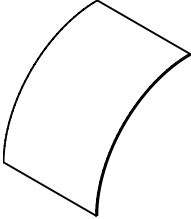
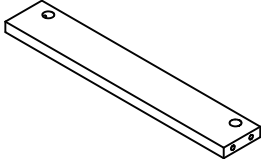
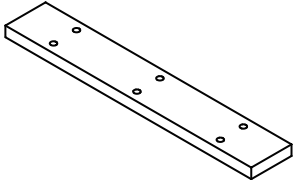
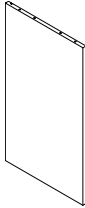
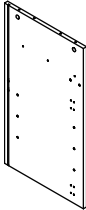
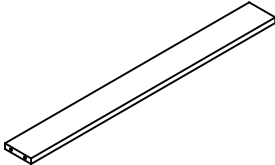
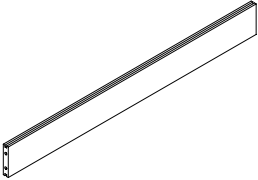
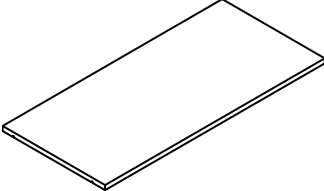
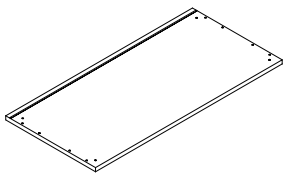
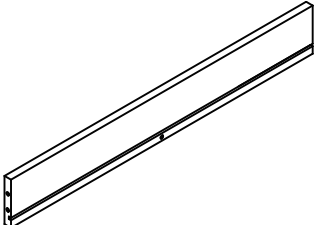
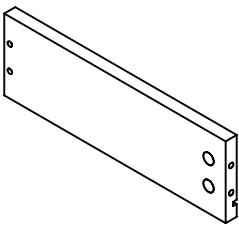
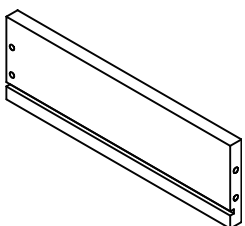
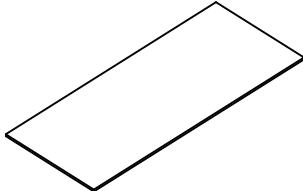
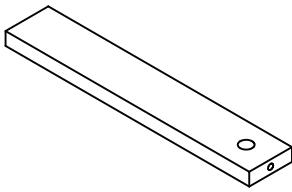


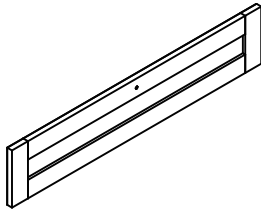
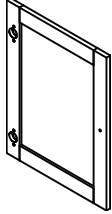
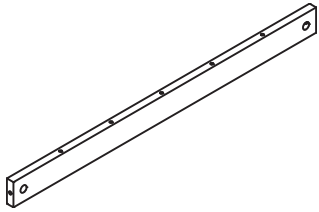
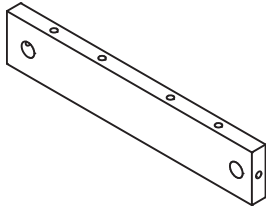
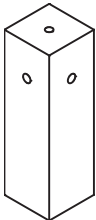
ASSEMBLY INSTRUCTIONS






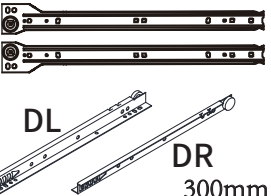





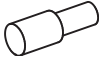



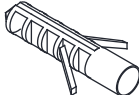

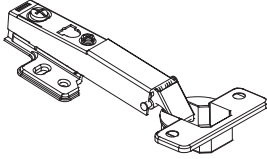
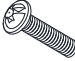

1		×1
2		×1
3		×1
4		×1
5		×1
6		×4
7		×1
8		×1


9		×1
10		×1
11		×2
12		×3
13		×1
14		×1
15		×1
16		×1

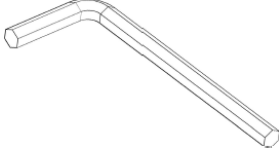
17		X1
18		X1
19		X1
20		X1
21		X1
22		X1
23		X1
24		X1

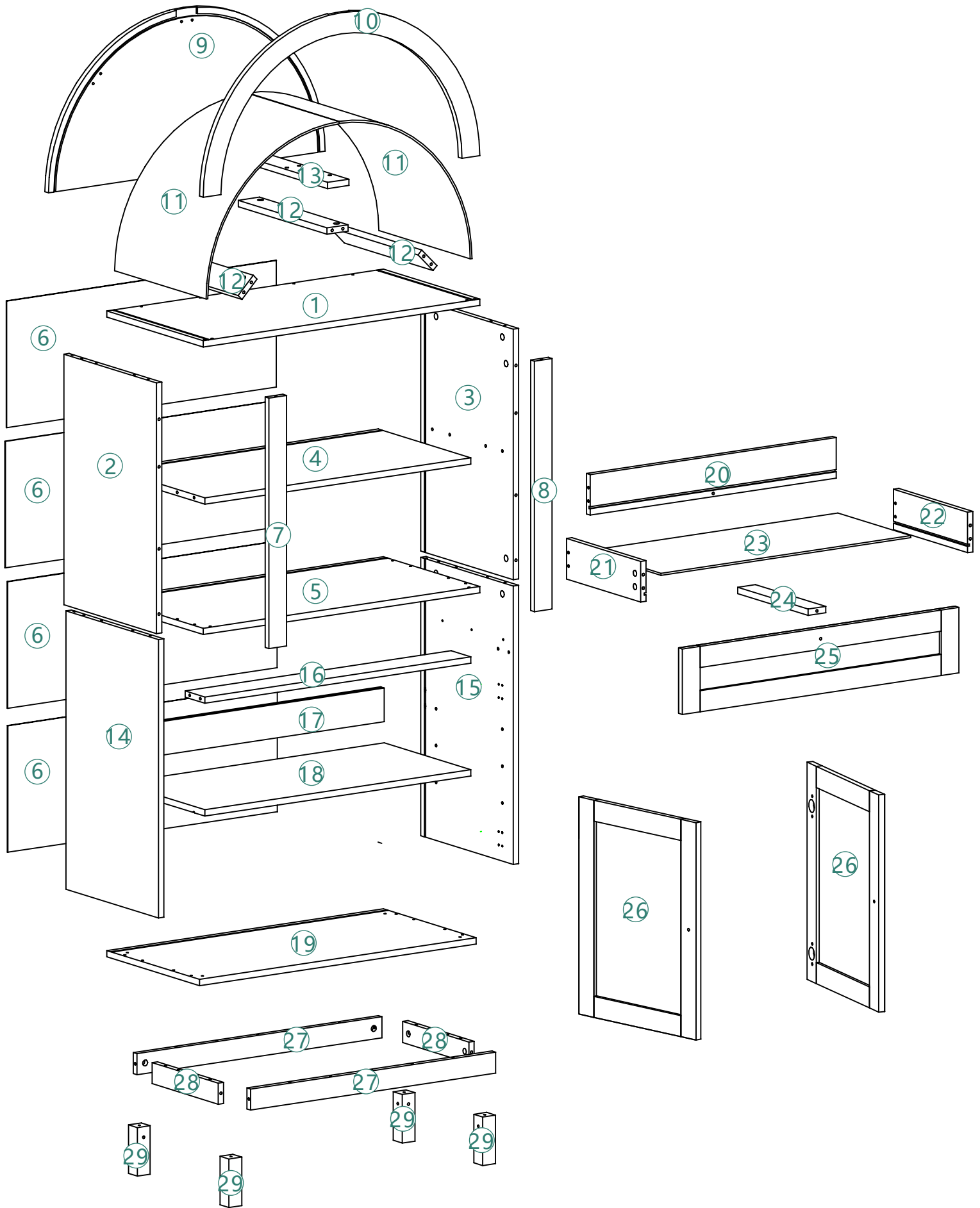
25		X1
26		X2
27		X2
28		X2
29		X4

A	 <p>M6 × 30mm</p> <p>× 42</p>
B	 <p>× 45</p>
C	 <p>× 45</p>
D	 <p>M4 × 30mm</p> <p>× 22</p>
E	 <p>M3.5 × 12mm</p> <p>× 12</p>
F	 <p>CL CR DL DR 300mm</p> <p>× 1</p>
G	 <p>M4 × 40mm</p> <p>× 10</p>
H	 <p>× 3</p>
I	 <p>M4 × 14mm</p> <p>× 24</p>

J	 <p>× 4</p>
K	 <p>M3 × 16mm</p> <p>× 16</p>
L	 <p>× 16</p>
M	 <p>× 2</p>
N	 <p>× 2</p>
O	 <p>× 4</p>
P	 <p>× 4</p>
Q	 <p>M4 × 16mm</p> <p>× 3</p>
R	 <p>M4 × 25mm</p> <p>× 6</p>

S	 M7 × 40mm ×4
---	--

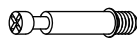
T	 ×1
---	---



1



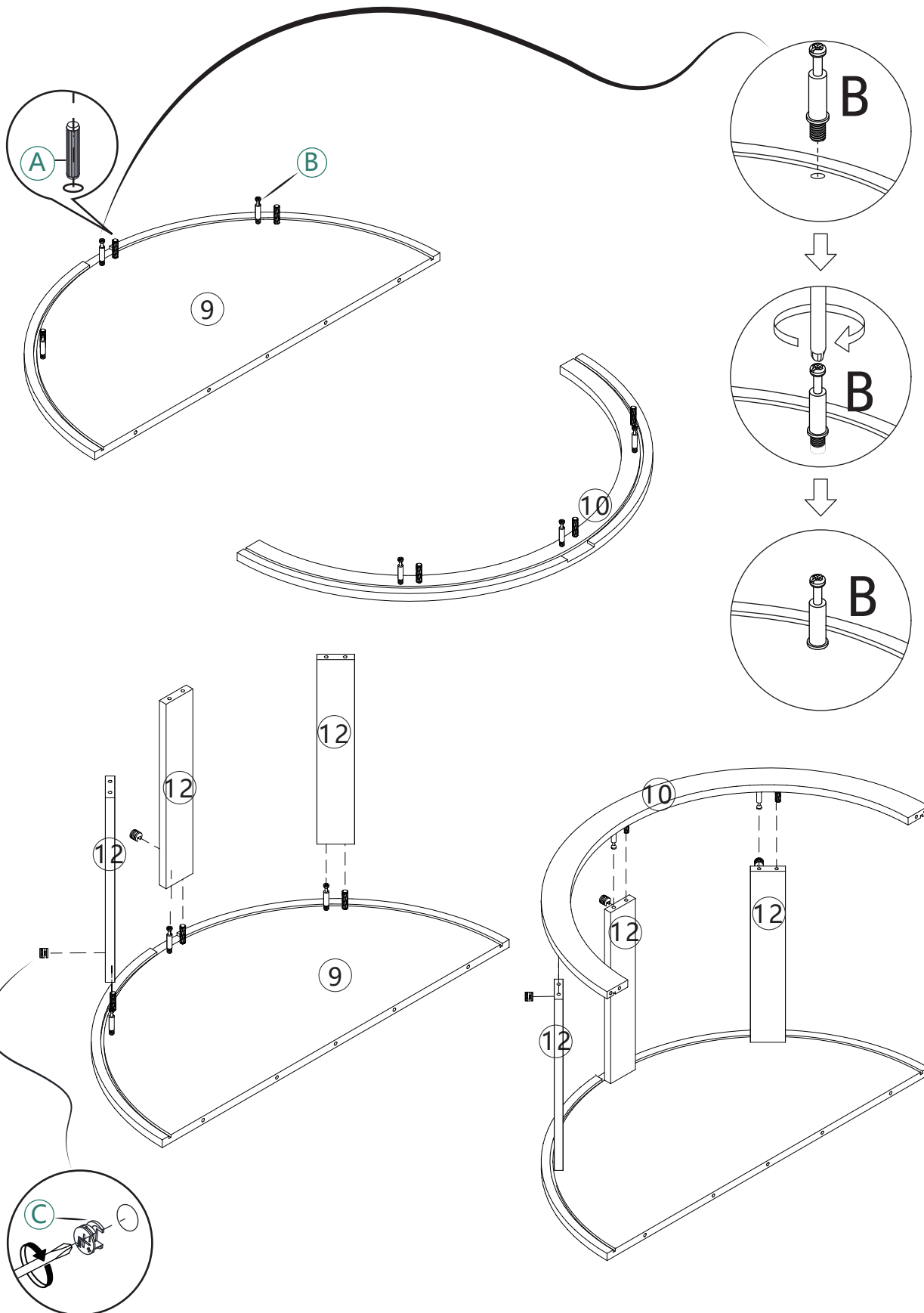
A X6



B X6



C X6



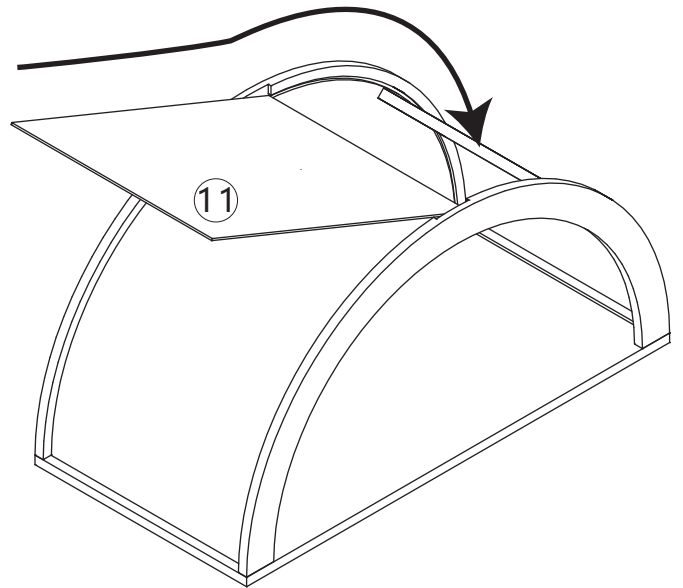
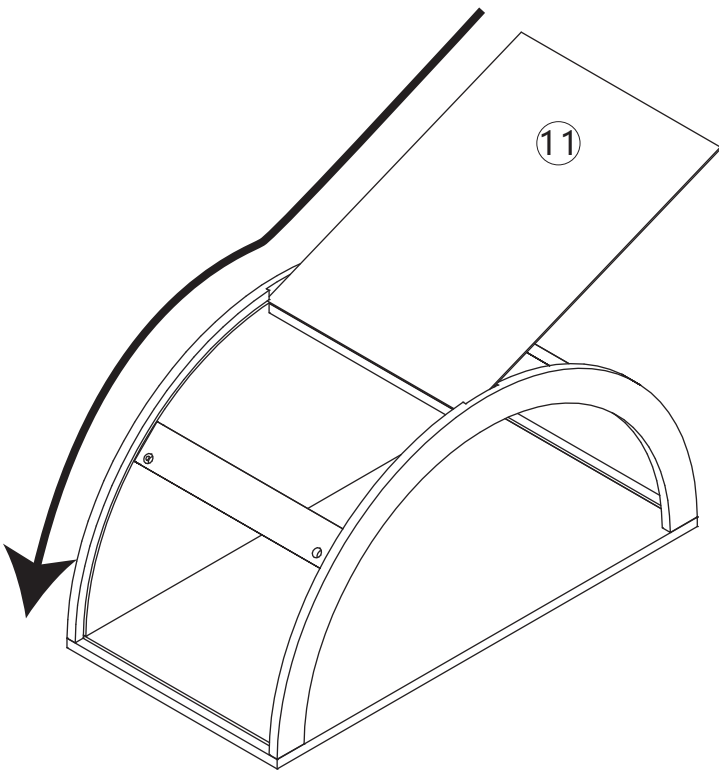
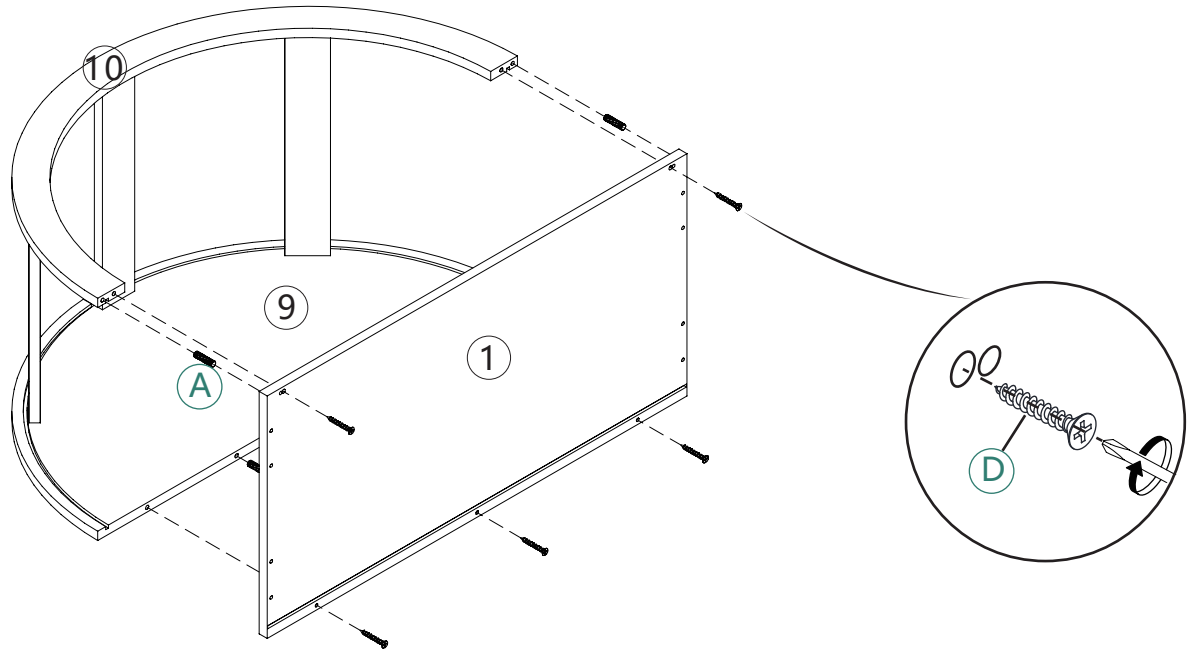
2



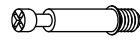
A X4



D X5



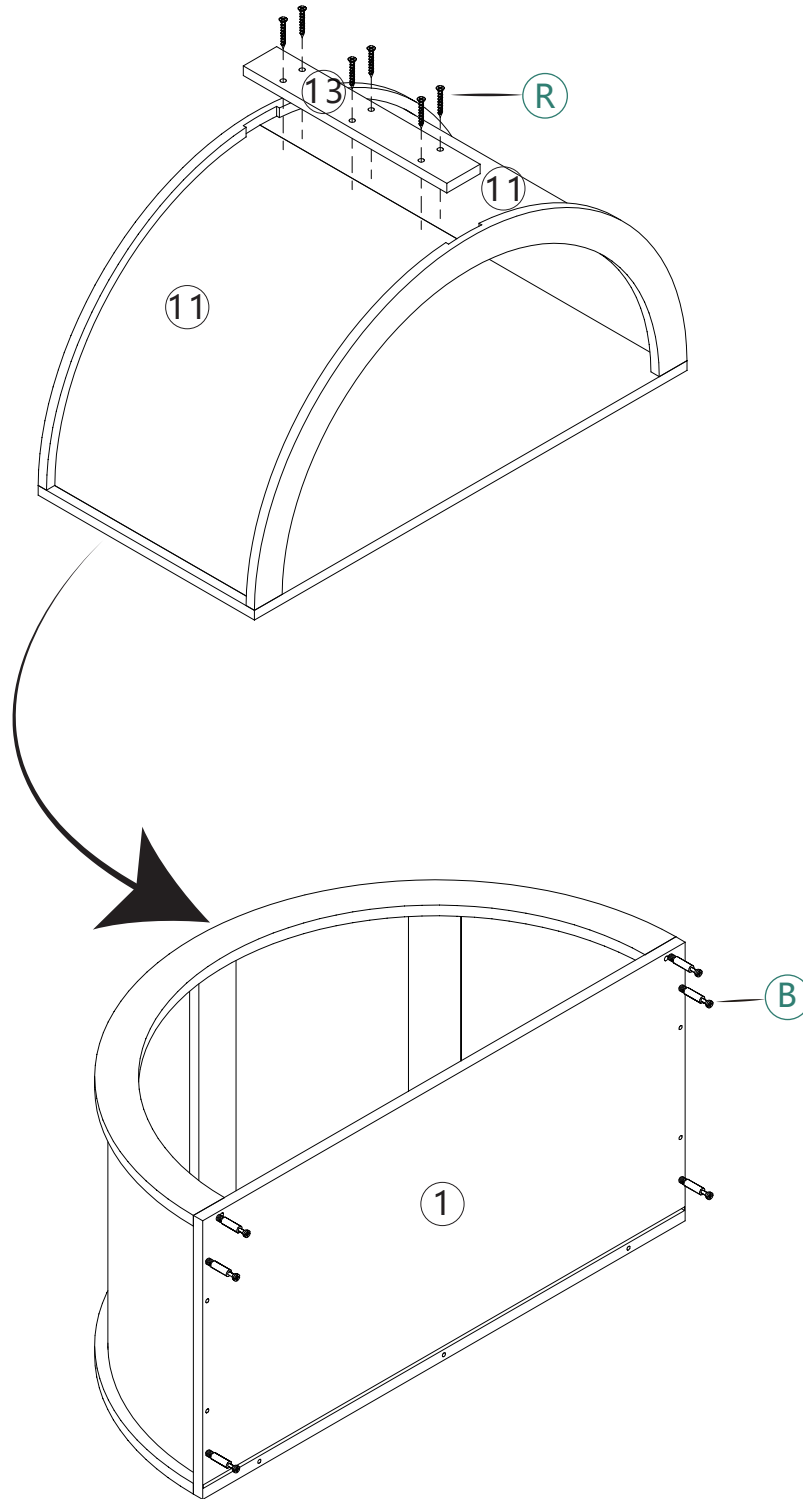
3



(B) X6



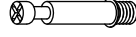
(R) X6



4



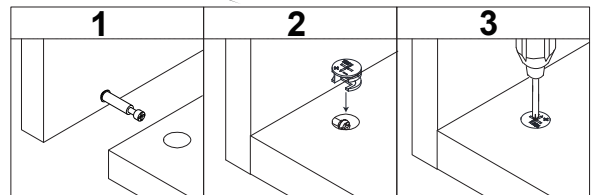
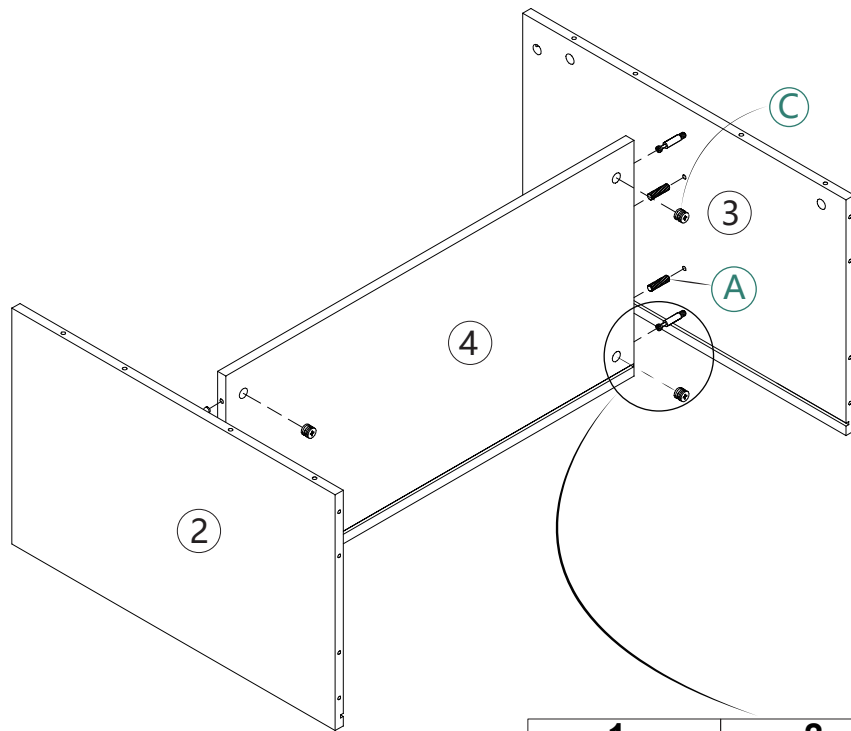
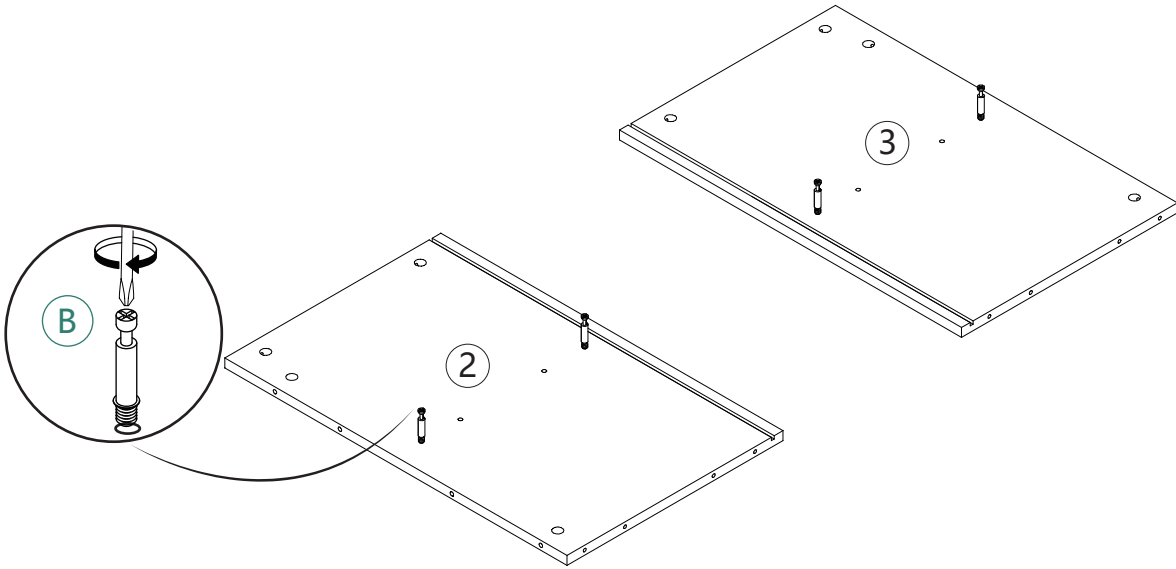
A X4






B X4

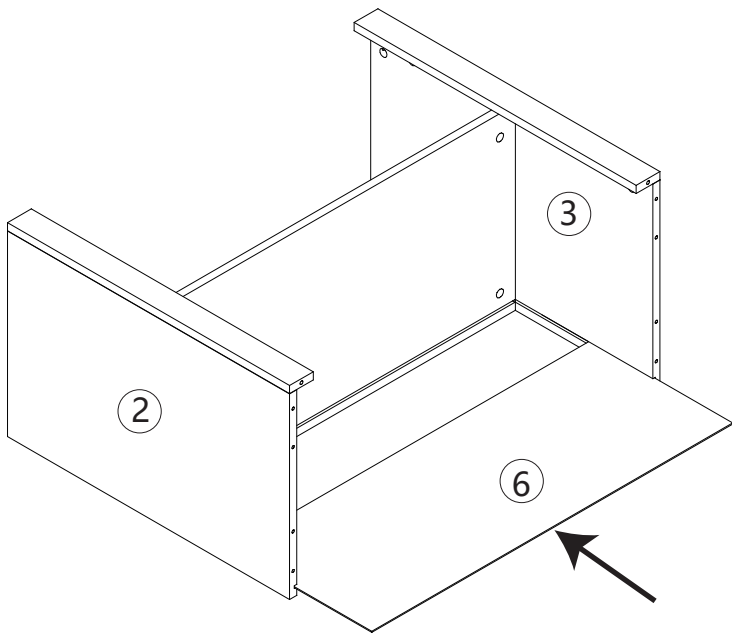
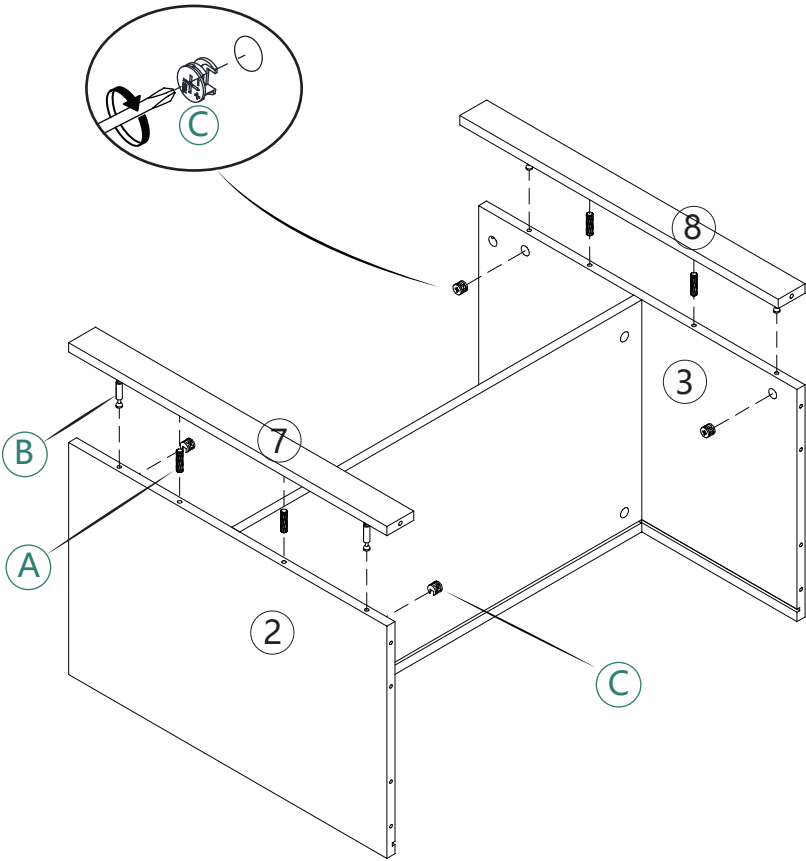
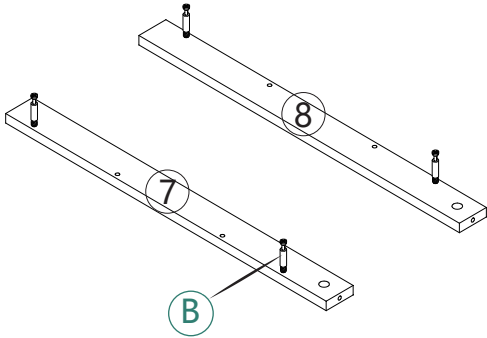


C X4



5

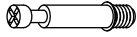
		
(A) X4	(B) X4	(C) X4



6



A X4



B X12



D X6

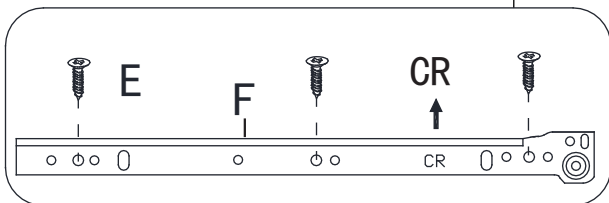
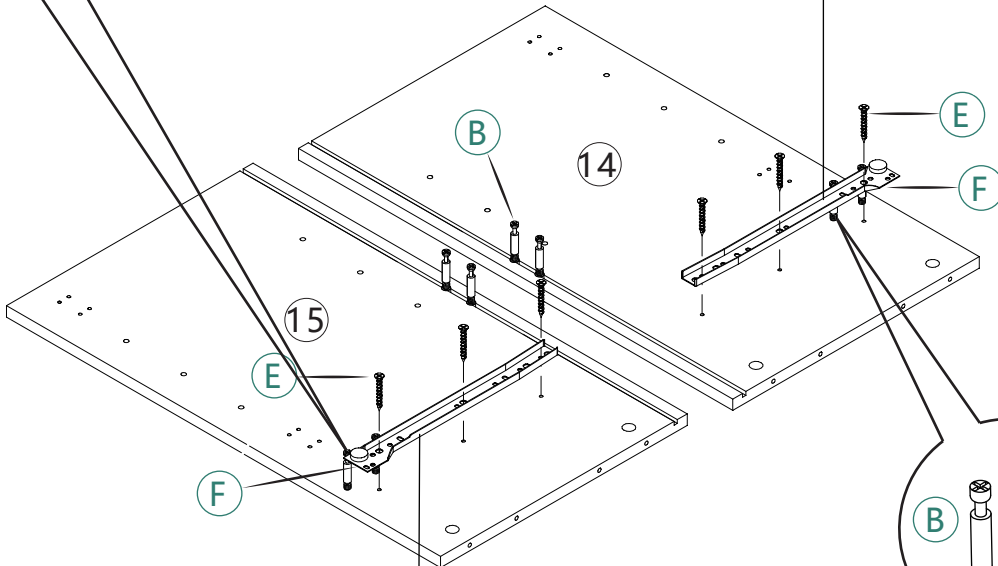
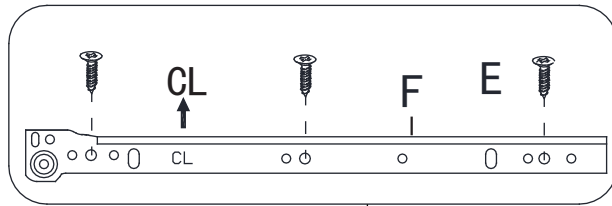
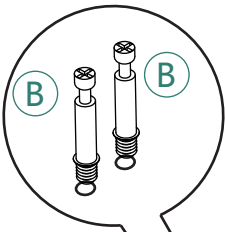
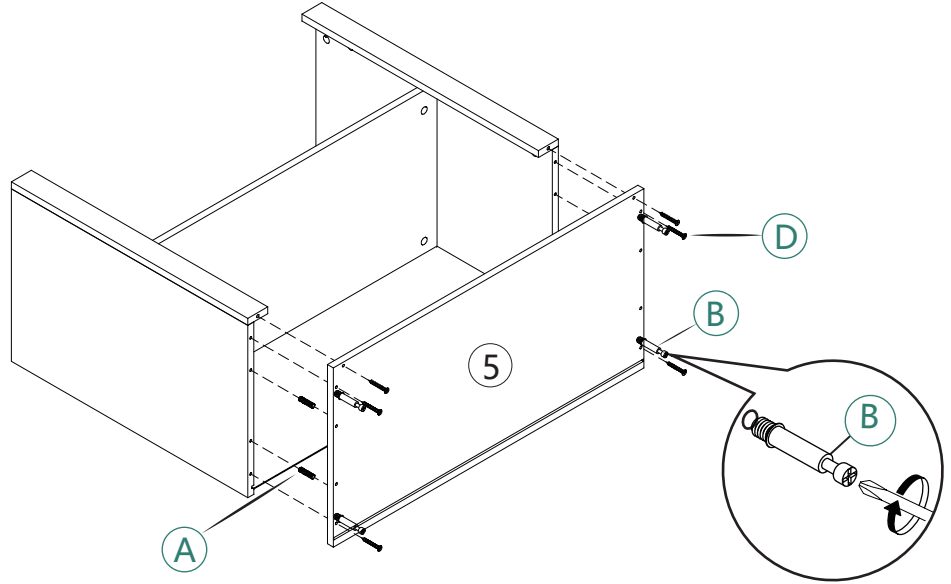


E X6



CL
CR

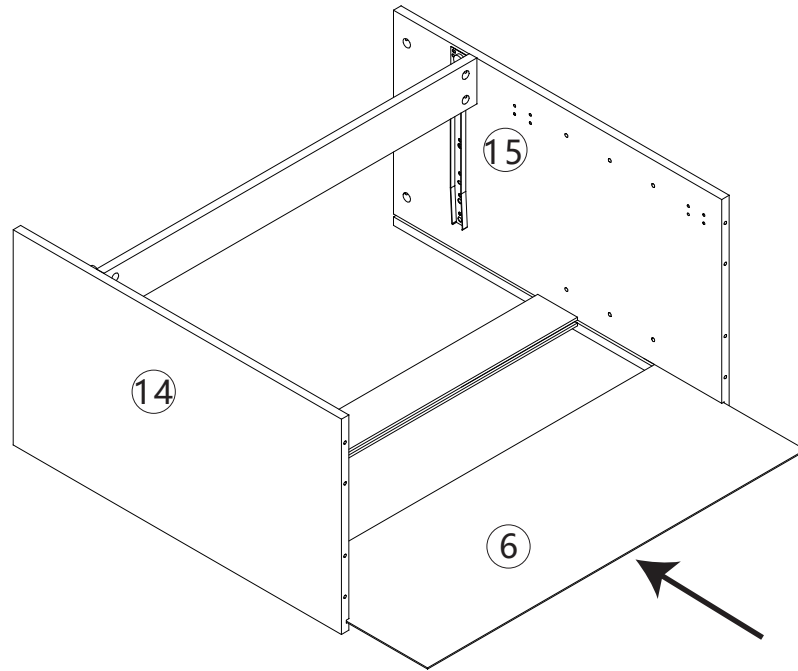
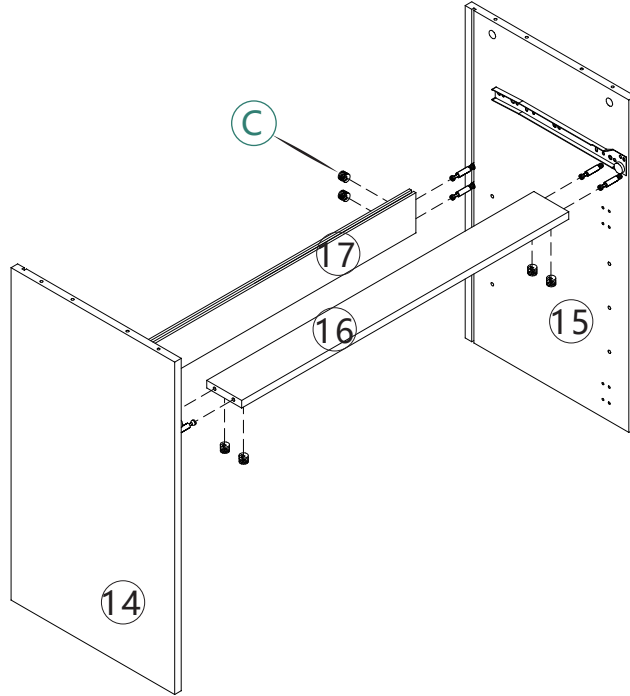
F X1



7



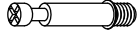
C X8



8



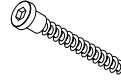
(A) X8



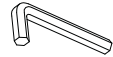
(B) X8



(C) X8



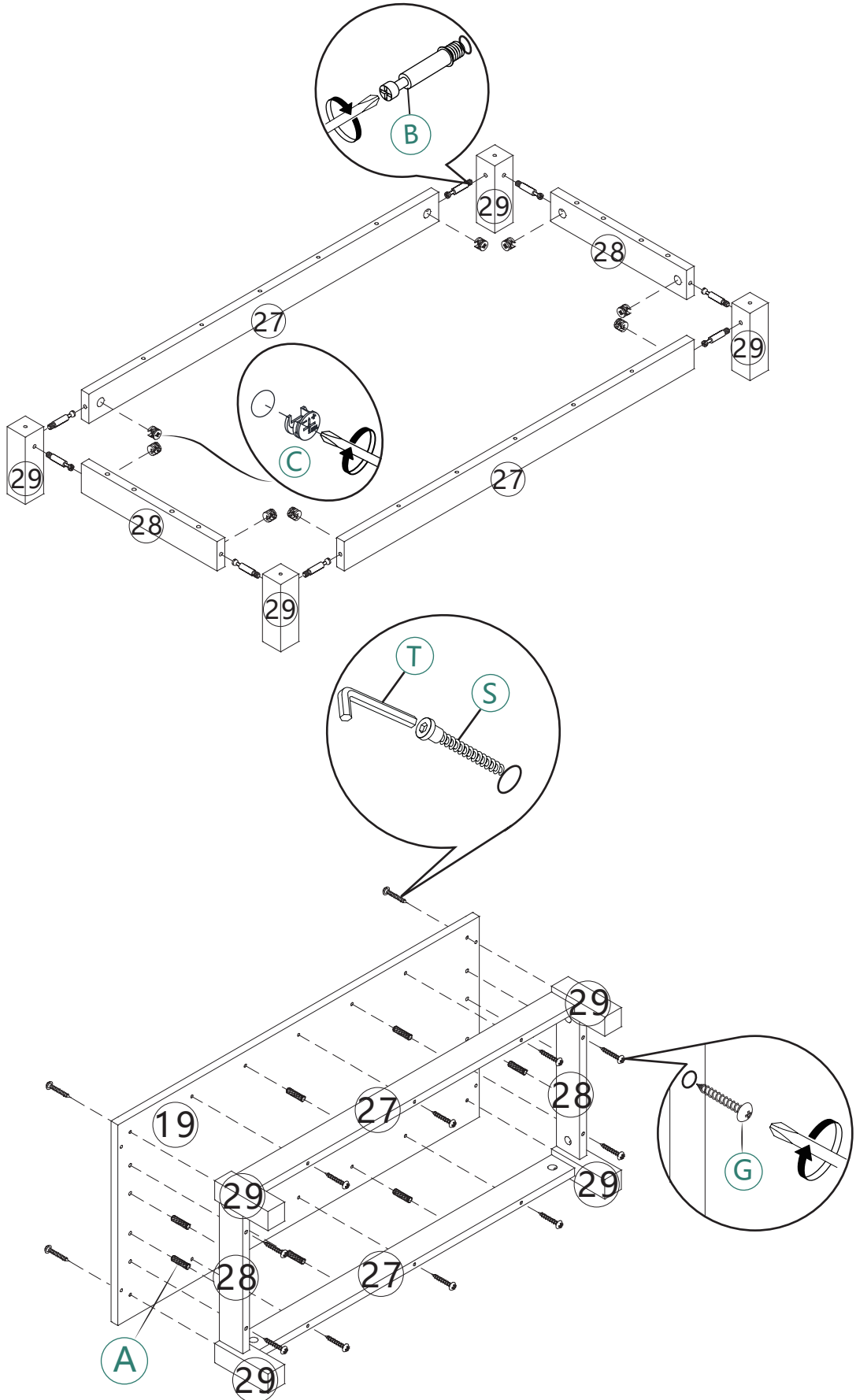
(S) X4



(T) X4



(G) X10



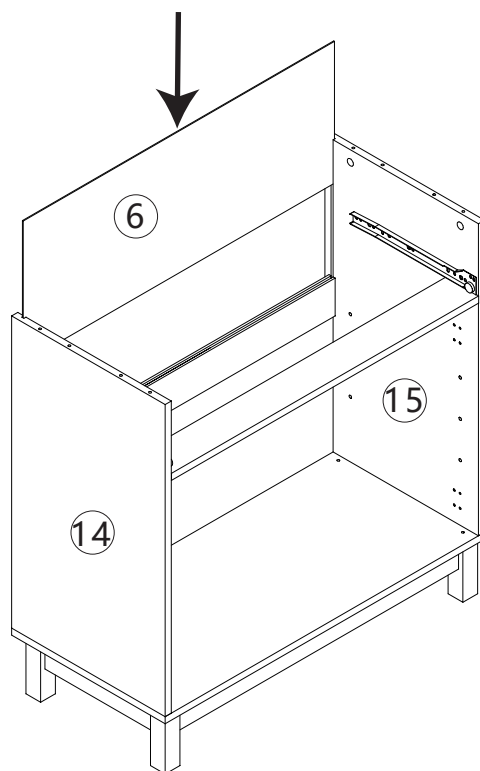
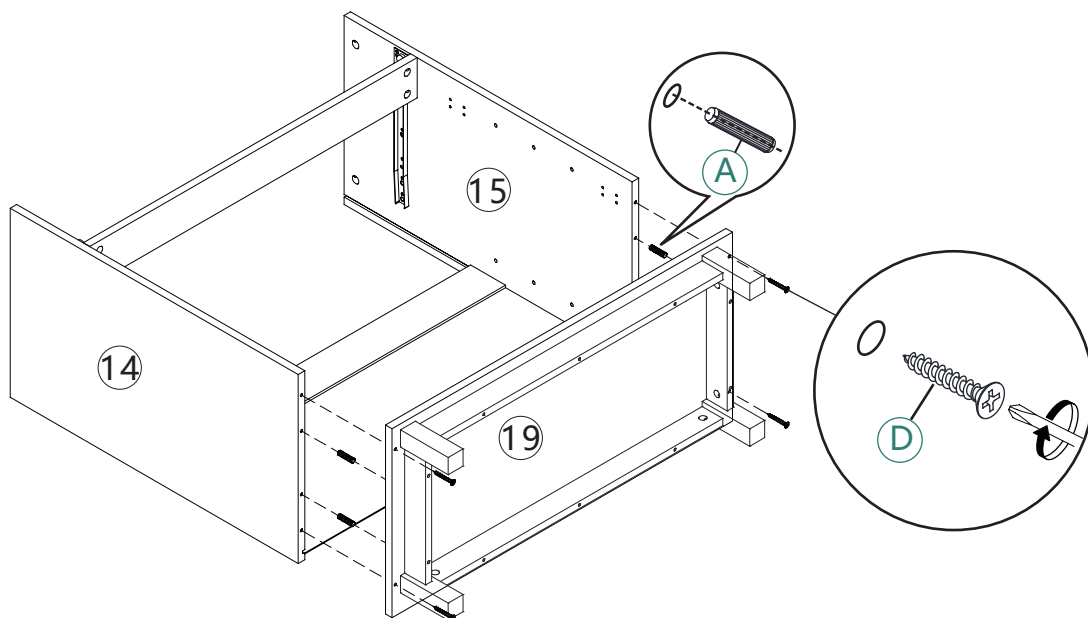
9



A X4



D X4



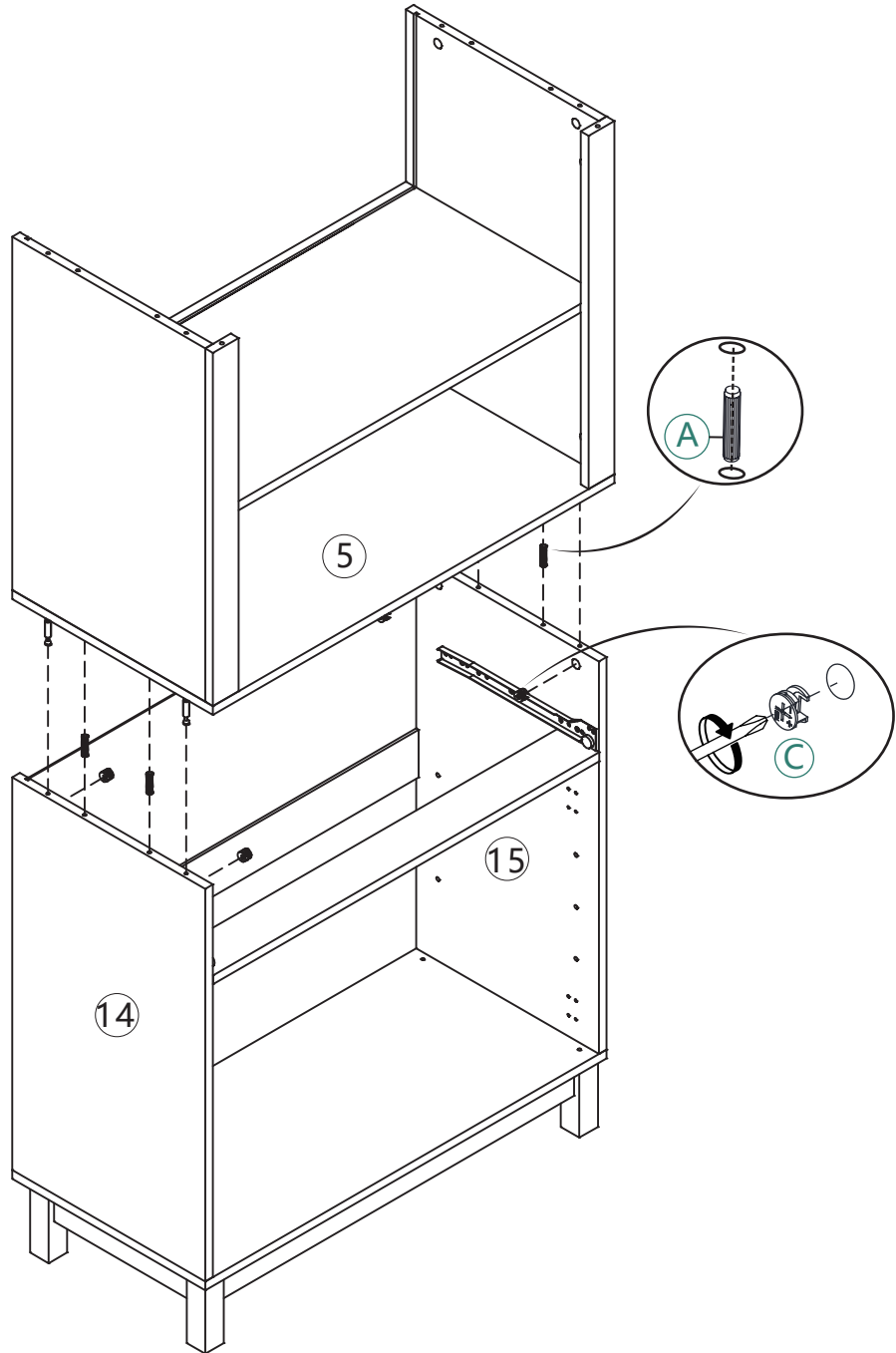
10



A X4



C X4



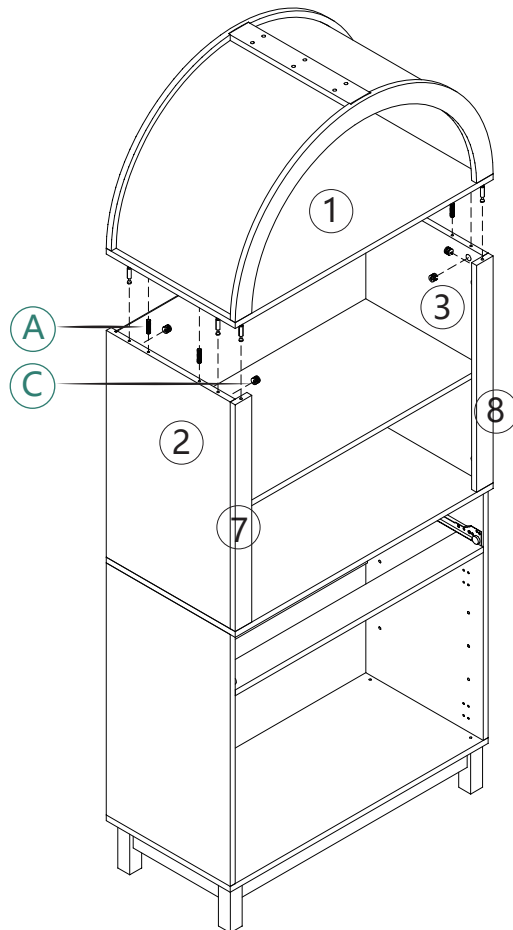
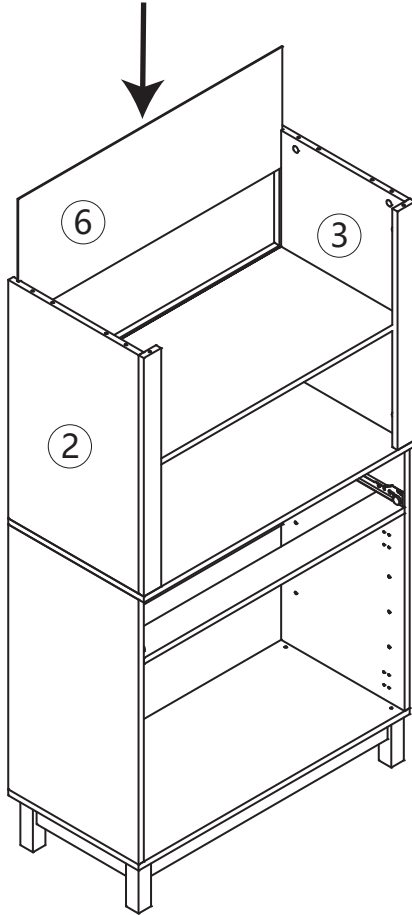
11



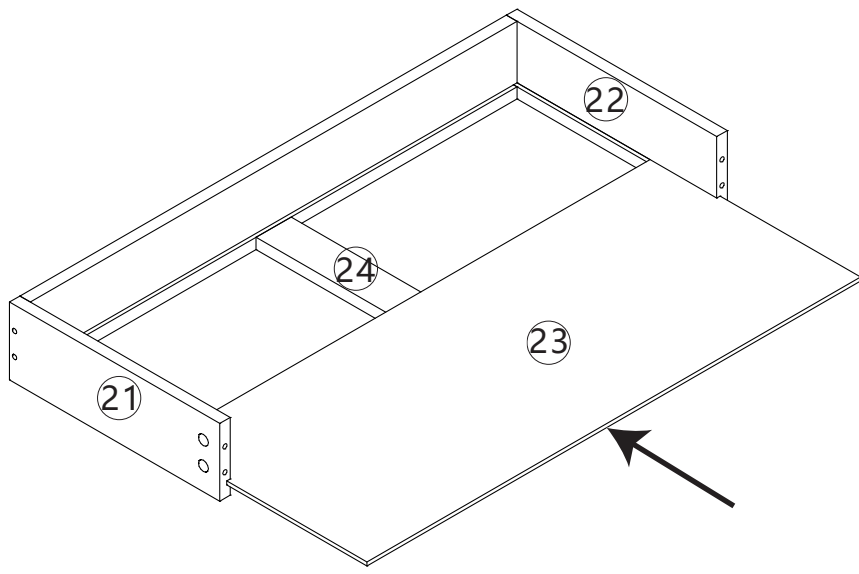
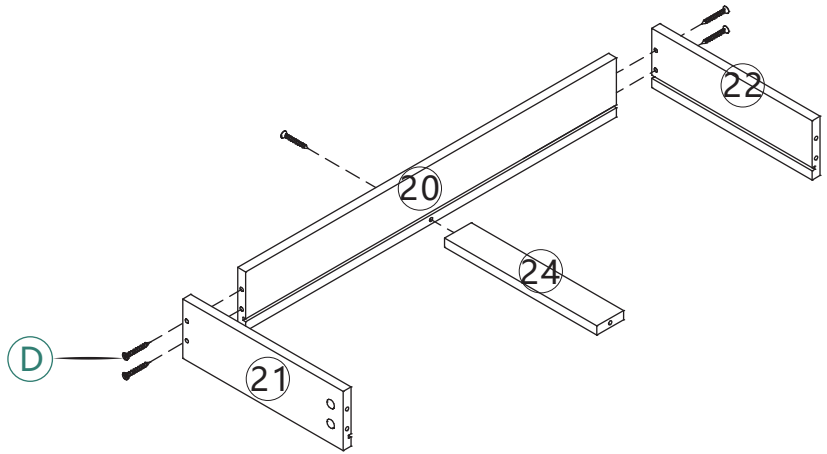
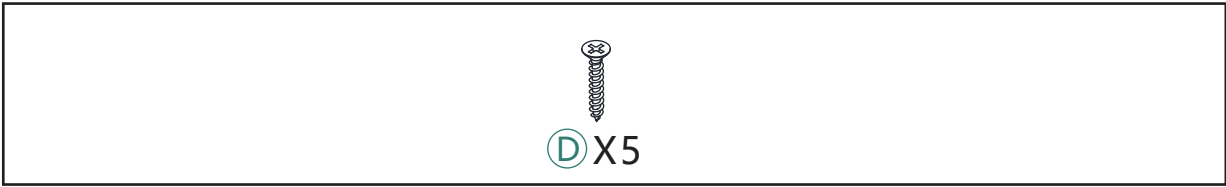
(A) X4



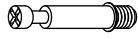
(C) X6



12



13



B X5



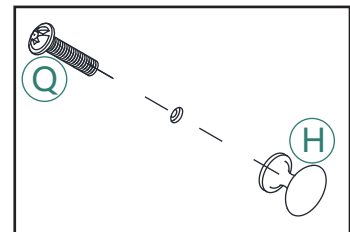
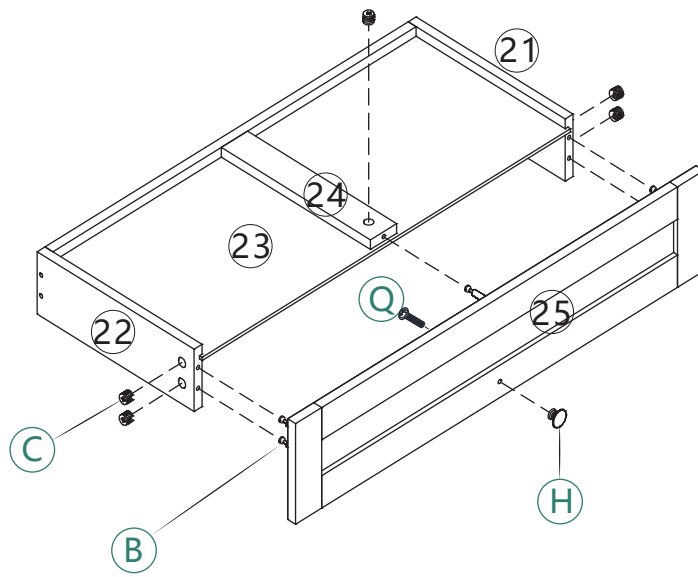
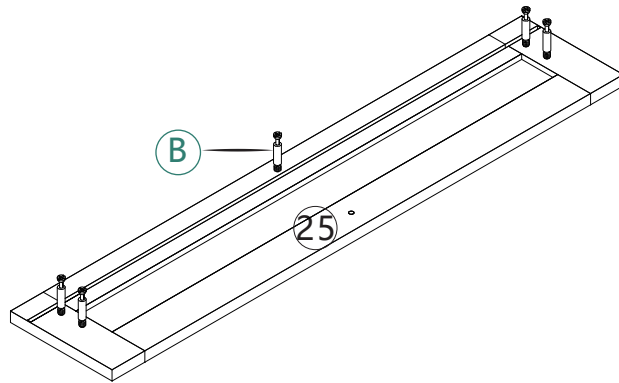
C X5



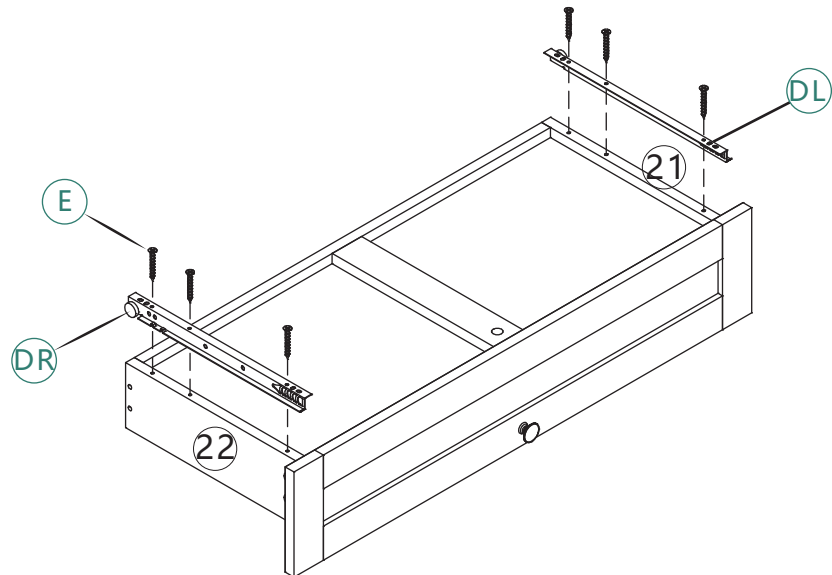
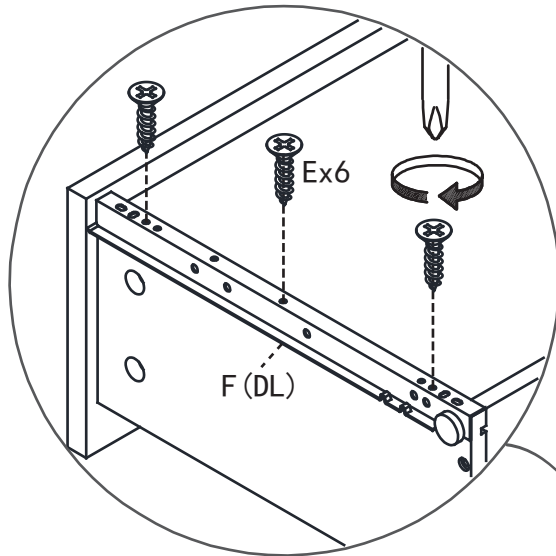
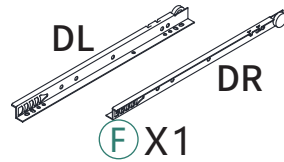
Q X1



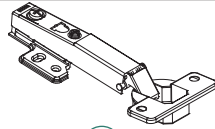
H X1



14



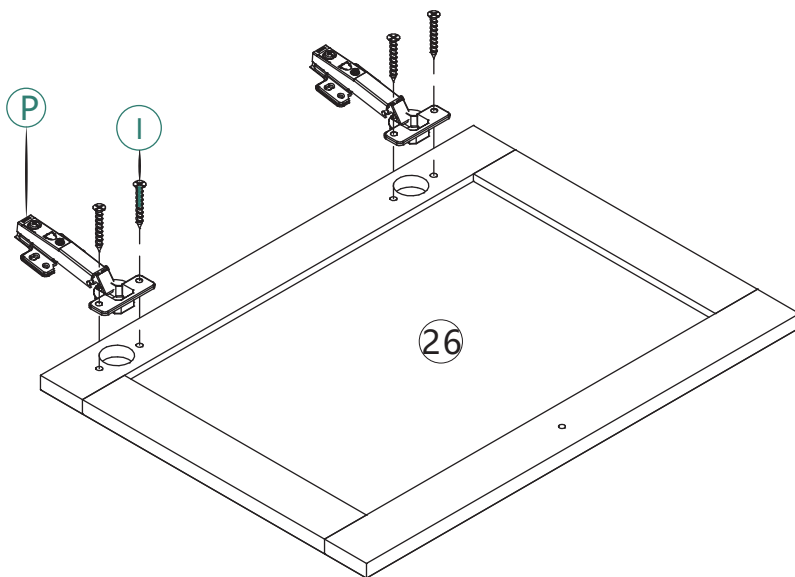
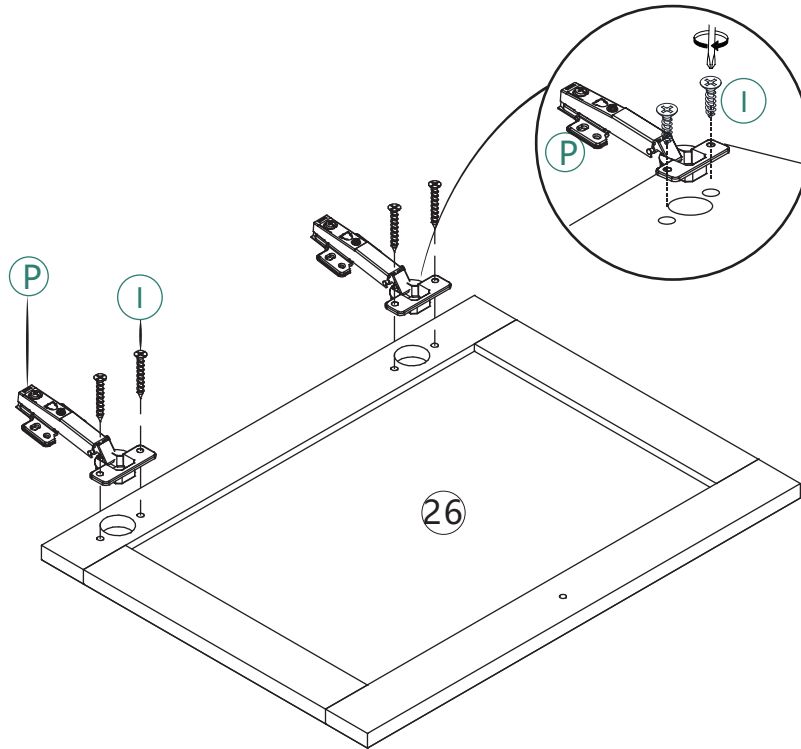
15



P X4



I X8



16



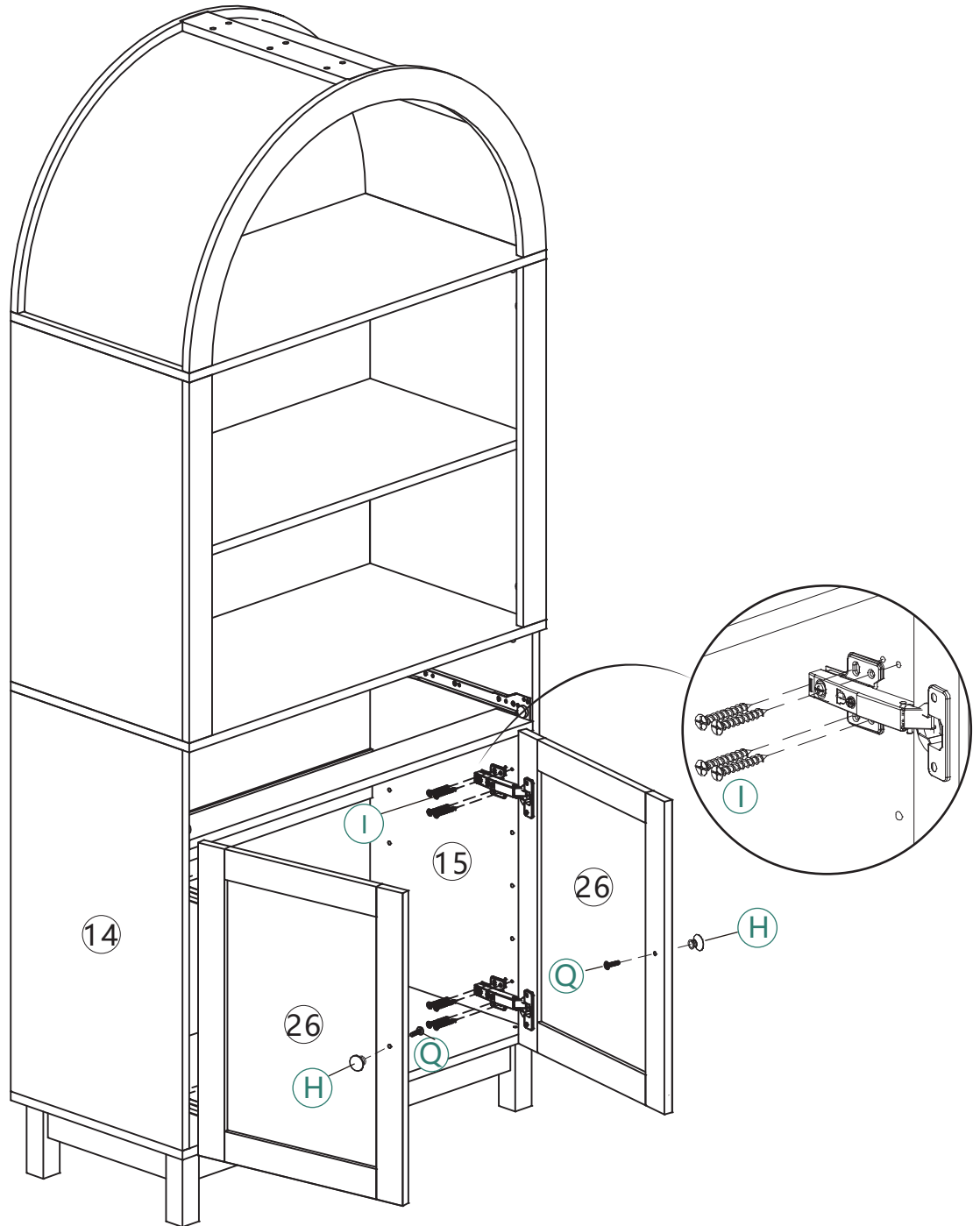
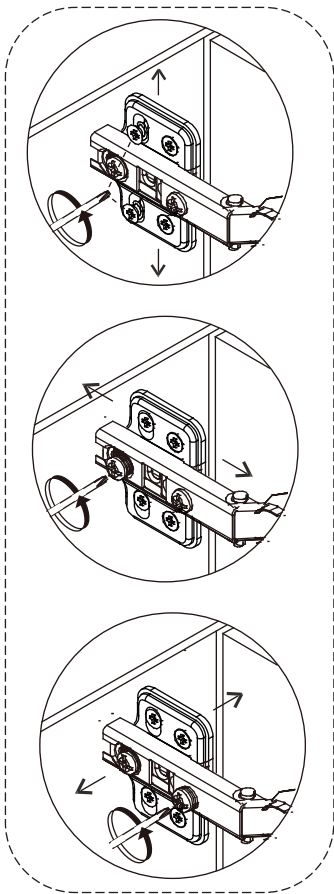
Q X2



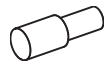
H X2



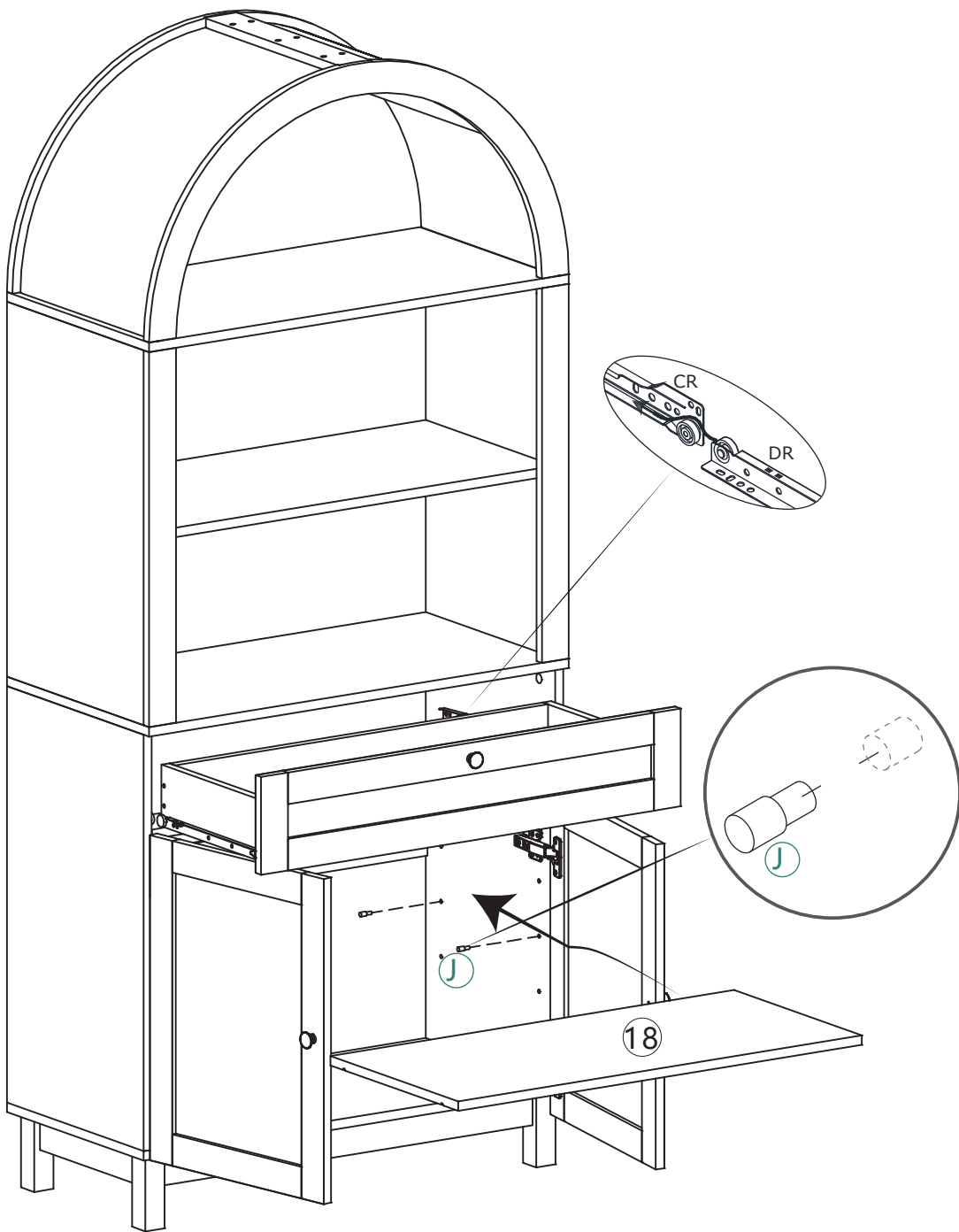
I X16



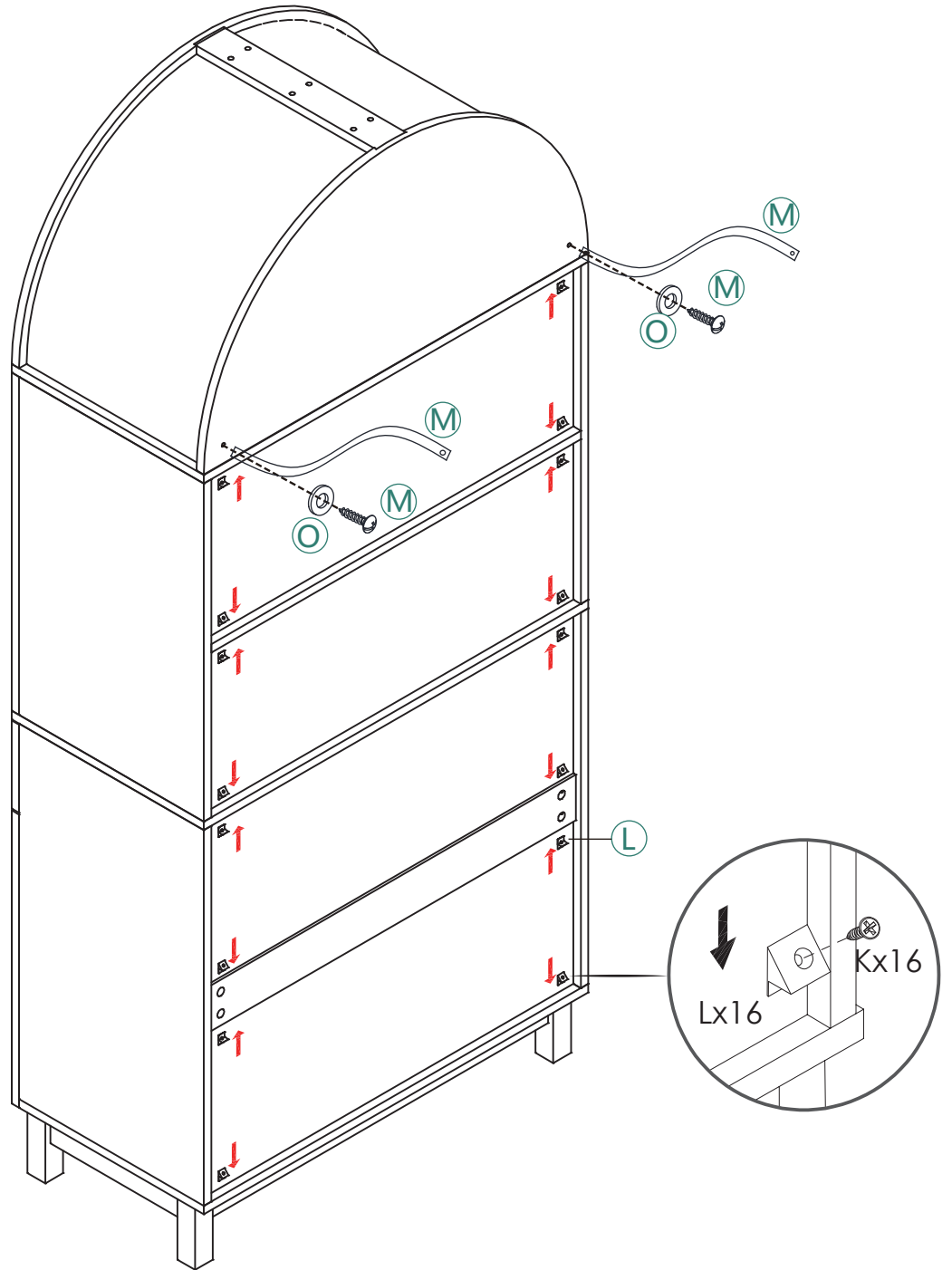
17



J X4



18



19

