

# Audo

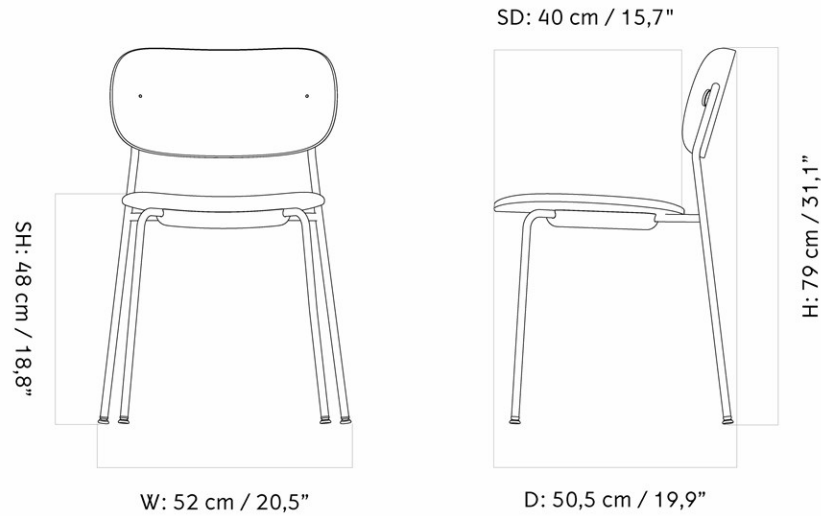


## CO DINING CHAIR Designed by *Norm Architects*

**DESCRIPTION** The Co Dining Chair is available in both un-upholstered and upholstered versions, with the option of an upholstered seat in a range of textiles and leathers. Offered with or without armrests, the base comes in black or chromed steel, and the chair is available in three finishes: natural oak, dark stained oak, and black oak. The design allows for stacking and row-connecting.

<b>SKU</b>	71145-004530	<b>COUNTRY OF ORIGIN</b>	Latvia
<b>EAN</b>	5709262074631	<b>MATERIALS</b>	Plywood, Foam, Upholstery, Oak Veneer, Chromed Steel
<b>ADD ARMS?</b>	False	<b>TESTS &amp; CERTIFICATIONS</b>	ANSI: BIFMA X5.4-2020 EN16139:2013, L2
<b>BACKREST MATERIAL</b>	Oak, Veneer, Dark Stained	<b>CO2e</b>	For any inquiries, please contact your local Sales representative
<b>BASE MATERIAL</b>	Steel, Chromed	<b>2D FILES</b>	<a href="#">Download</a>
<b>BASE TYPE</b>	4-Legs Base	<b>3D FILES</b>	<a href="#">Download</a>
<b>FOAM TYPE</b>	Global / US - CAL117	<b>REVIT FILES</b>	<a href="#">Download</a>
<b>PRICE CATEGORY</b>	PC0T	<b>WARRANTY</b>	10 years ( <a href="#">Download</a> )
<b>UPHOLSTERY</b>	AUDO BOUCLÉ	<b>CARE INSTRUCTIONS</b>	<a href="#">Backrest Material</a> <a href="#">Base Material</a> <a href="#">Upholstery</a>
<b>UPHOLSTERY COLOUR</b>	02		
<b>UPHOLSTERY TYPE</b>	Seat Upholstered		
<b>DESIGNER</b>	Norm Architects		
<b>PRODUCT TYPE</b>	Dining Chair		
<b>ENVIRONMENT</b>	Indoor		
<b>TEXTILE LEATHER CONSUMPTION</b>	Textile Consumption: 0.645 yds Leather Consumption: 5.1667 ft2		
<b>DECLARE LABEL</b>	<a href="#">Download</a>		

# Audo



## CO DINING CHAIR Designed by *Norm Architects*

---

### TECHNICAL SPECIFICATIONS

---

#### DIMENSIONS

Seat Height: 18.90 "  
Seat Depth: 15.75 "  
Product Height: 31.10 "  
Product Width: 20.47 "  
Product Depth: 19.88 "

#### NET WEIGHT

13.316 Lb

#### GROSS WEIGHT

18.942 Lb

#### PACKAGING TYPE

Brown Box

#### PACKAGING MEASUREMENTS

H x W x D  
31.50 " x 20.87 " x 19.29 "

#### PRODUCTION PROCESS

The seat, backrest, and armrests are made from curved plywood, with the shell CNC-milled on a 5-axis machine. The core is beech veneer, finished with an outer layer of oak veneer. Upholstered options are available, including full wood, seat upholstery, and fully upholstered versions, with double-layer foam used on the seat for added comfort. The base is made from bent, welded steel tubes, with armrests crafted from steel rods. The base comes in either a powder-coated or chrome finish.

# Audo

## CO DINING CHAIR Designed by *Norm Architects*

### SPARE PARTS

Find relevant spare parts for this product to support long-term maintenance.

SPARE PARTS	VARIANT	SPARE PART SKU
	<i>Harbour &amp; Co Chair, Steel Base-Versions, Quick Click Glides, 2x4 pcs.</i>	81111000599
	<i>Row Connection For Co Chair Without Armrest</i>	81111000813
	<i>Co Chair Insert w/Plastic Glide, Black, 4 pcs.</i>	81111000603