




# Assembly Instruction

## DINING TABLE

Please check whether all parts are available, then assemble by illustration.

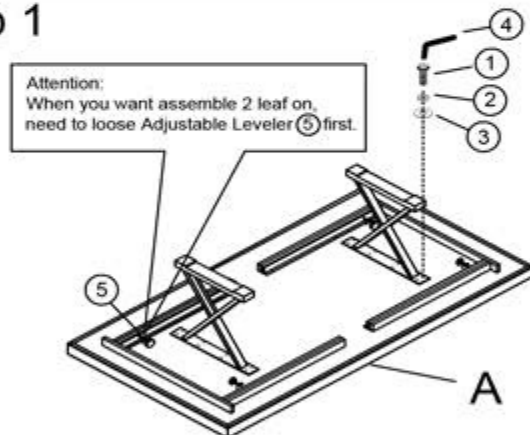
PARTS LIST			
No.	Description	Sketch	Qty.
A	Table Top		1pc
B	Table Leaf		2pcs
C	Table Leg		2pcs

HARDWARE LIST			
No.	Description	Sketch	Qty.
①	Allen Bolt		16pcs
②	Spring Washer		16pcs
③	Flat Washer		16pcs
④	Allen Wrench		1pc
⑤	Adjustable Leveler		4pcs
⑥	Adjustable Leveler		

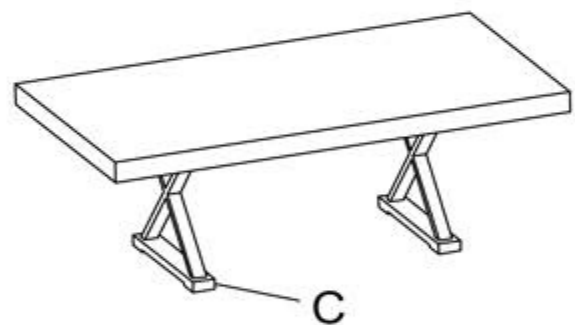
### ASSEMBLY PROCEDURE

VERY IMPORTANT: Please install the parts by the alphabet, designated on each.

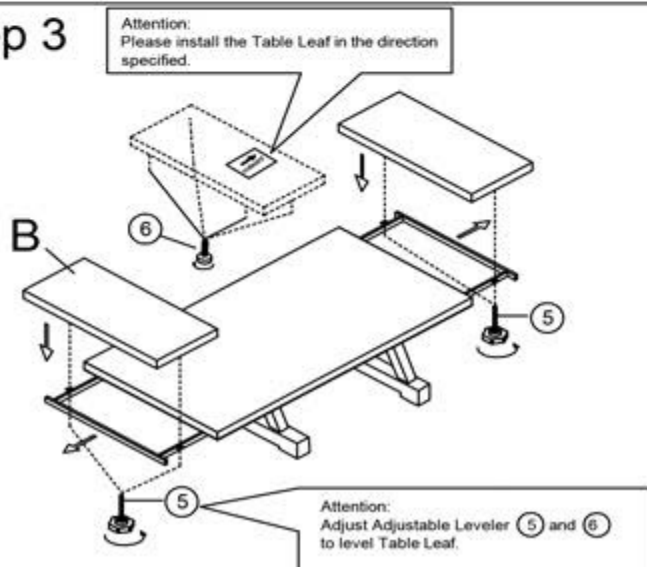
#### Step 1



#### Step 2



#### Step 3



#### Step 4

