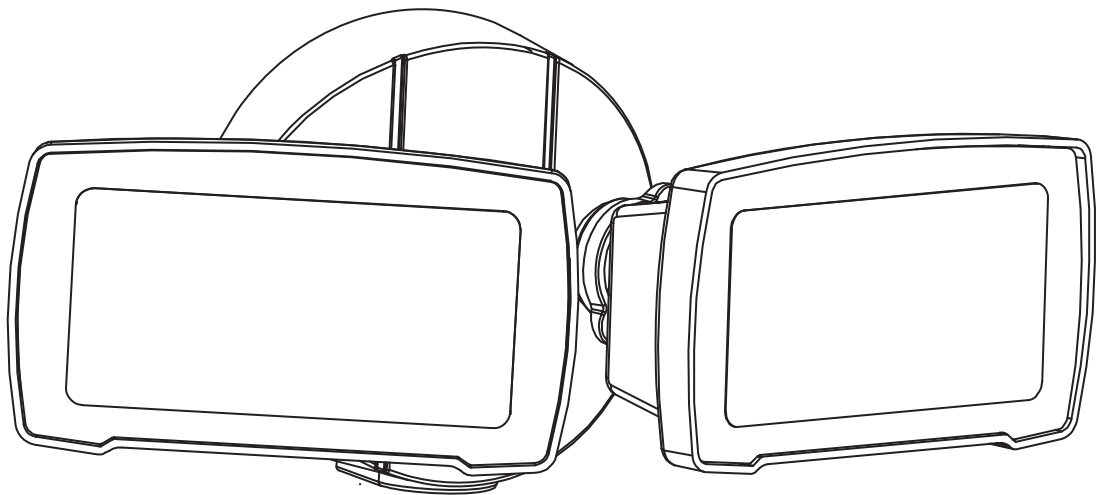




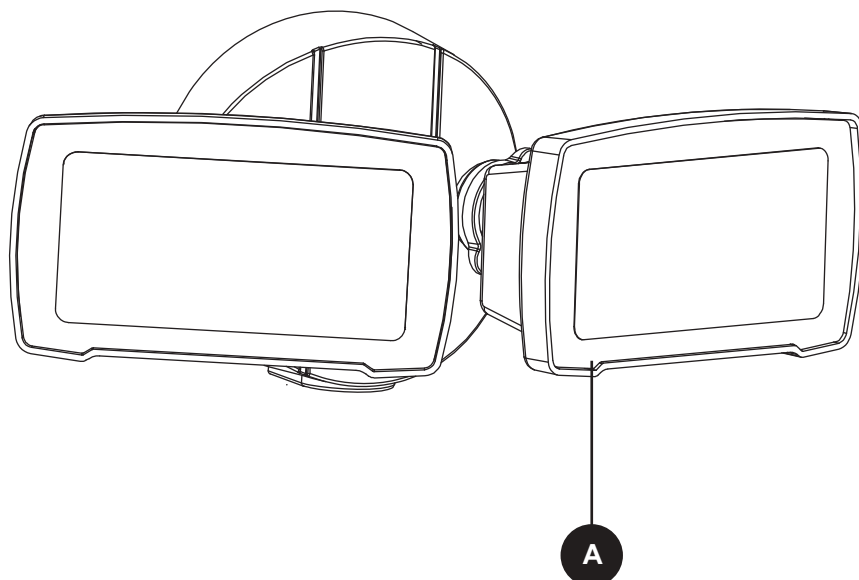
**LED FLOODLIGHT
Owners Manual**

MODEL #7635402012/7635402053



**IMPORTANT,
RETAIN FOR FUTURE REFERENCE:
READ CAREFULLY**

PACKAGE CONTENTS



PART	DESCRIPTION	QUANTITY
A	Fixture	1

HARDWARE CONTENTS (not shown actual size)

AA



Screw

Qty. 2

BB



Wire Nut

Qty. 3

CC



Mounting
Plate

Qty. 1

DD



Rubber
Plug

Qty. 1

EE



Foam
Pad

Qty. 1

SAFETY INFORMATION

Please read and understand this entire manual before attempting to assemble, operate or install the product.

WARNING:

- Consult a qualified electrician if you are not certain about the installation process. Always install wiring connections in accordance with local code, ordinances and the National Electric Code.
- Changes or modifications to this unit not expressly approved by the party responsible for compliance could void the user's authority to operate the equipment.
- This light fixture is designed to fit standard junction boxes as defined by the National Electrical Code.
- This light fixture is not dimmable.

This Class B digital apparatus complies with Canadian ICES-005.

NOTICE: This equipment has been tested and found to comply with the limits for a Class B digital device, pursuant to Part 15 of the FCC Rules. These limits are designed to provide reasonable protection against harmful interference in a residential installation. This equipment generates, uses and can radiate radio frequency energy and, if not installed and used in accordance with the instructions, may cause harmful interference to radio communications. However, there is no guarantee that interference will not occur in a particular installation. If this equipment does cause harmful interference to radio or television reception, which can be determined by turning the equipment off and on, the user is encouraged to try to correct the interference by one or more of the following measures:

- Reorient or relocate the receiving antenna.
- Increase the separation between the equipment and receiver.
- Connect the equipment into an outlet on a circuit different from that to which the receiver is connected.
- Consult the dealer or an experienced radio/TV technician for help.

PREPARATION

Before beginning to assemble or installing lighting fixture, make sure all parts are present. Compare parts with package contents list and hardware contents list. If any part is missing or damaged, do not attempt to assemble, install or operate the product.

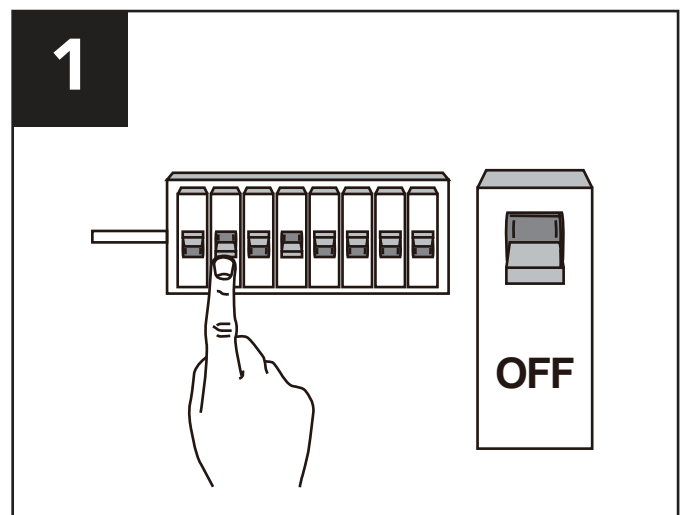
Estimated Assembly Time: 20-30 minutes.

Tools Required for Assembly: Phillips Screwdriver, Silicone Caulking Adhesive, Ladder.

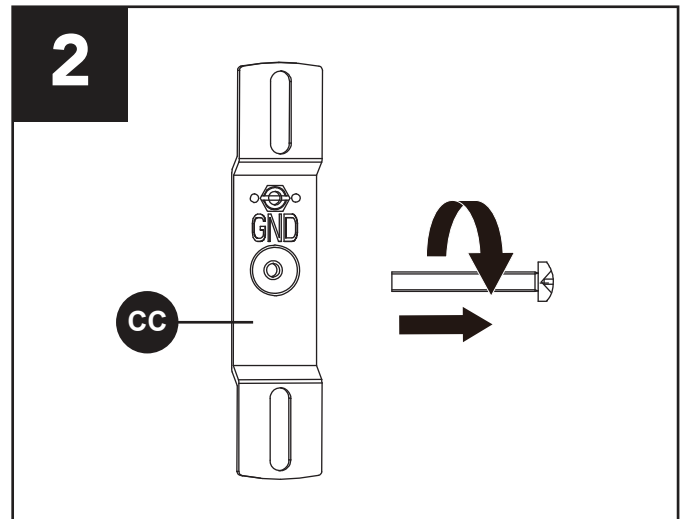
INSTALLATION

1. Turn OFF power to work area at main circuit breaker or fuse box.

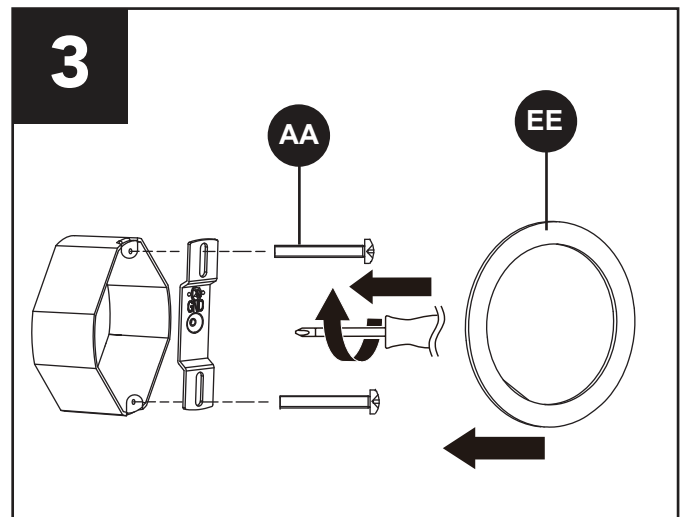
CAUTION: Do not rely on wall switch alone to turn off power.



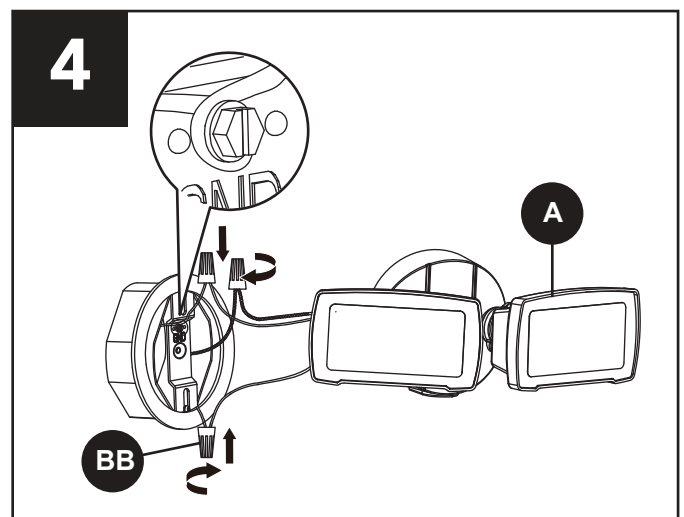
2. Remove the screw pre-assembled in the mounting plate (CC). Put the screw a side as they will be used later.



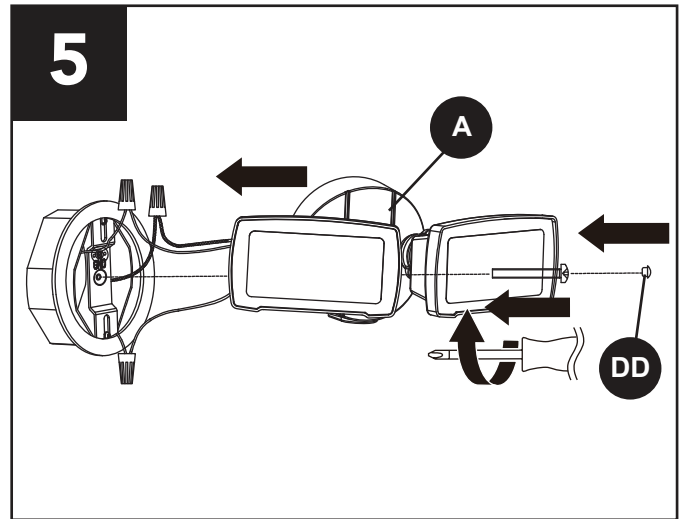
3. Attach the mounting plate to the junction box (not included) using the two screws (AA). Then attach the foam pad (EE) to the mounting plate. This fixture can also be installed on the ceiling.



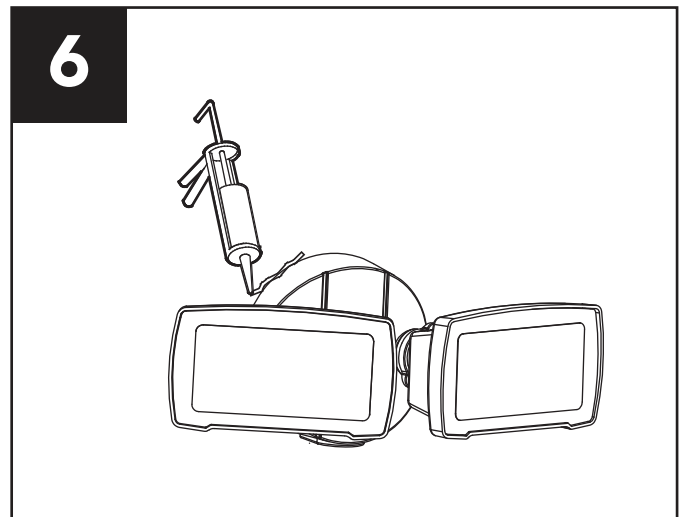
4. Connect the ground wire from the junction box to the ground screw on the mounting plate. Then connect the ground wire from the junction box to the ground wire from the fixture (A) by twisting a wire nut (BB) onto the bare ends of the wires. Connect the white wire from the junction box to the white wire from the light fixture by twisting a wire nut (BB) onto the bare ends of the wires. Connect the black wire from the junction box to the black wire from the light fixture by twisting a wire nut (BB) onto the bare ends of the wires. Position all the wires inside the fixture junction box.



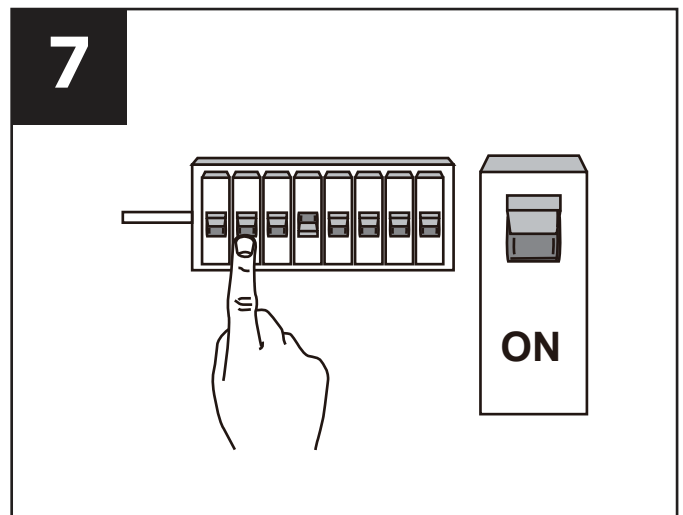
5. Attach the light fixture (A) to the mounting plate using the screw previously removed in step 2. Then insert the rubber plug (DD).



6. After mounting the fixture, apply silicone caulking compound completely around the perimeter of the cover plate where the back of the cover plate meets the mounting surface. Silicone caulking prevents water from seeping into the junction box.



7. Turn ON power to work area at main circuit breaker or fuse box.



CARE AND MAINTENANCE

- Clean surfaces with a mild, non-abrasive cleaner.

TROUBLESHOOTING

PROBLEM	POSSIBLE CAUSE	CORRECTIVE ACTION
The light will not go on.	<ol style="list-style-type: none">1. No power.2. Fixture may be wired incorrectly.3. Switch may be wired incorrectly.	<ol style="list-style-type: none">1. Make sure lamp fixture is plugged in and power is on.2. Check wiring.3. Check wiring.
Fuse blows or circuit trips when fixture is turned on.	Crossed wires or power wire is grounding out.	Consult a certified electrician.

3-YEAR LIMITED WARRANTY

If this product fails due to a defect in materials or workmanship within three (3) years from the date of purchase, return it along with proof of date of purchase and it will be replaced with the same or comparable model free of charge.

This warranty is void if damage or defect has resulted from accident, abuse, misuse or faulty repair. This warranty gives you specific legal rights and you may have other rights that vary from state to state.

IN NO EVENT WILL LIABILITY EXTEND TO ANY CONSEQUENTIAL, SPECIAL, INCIDENTAL OR INDIRECT DAMAGES OF ANY KIND ARISING OUT OF THE USE OR MISUSE OF THIS PRODUCT. SOME STATES DO NOT ALLOW THE EXCLUSION OR LIMITATION OF INCIDENTAL OR CONSEQUENTIAL DAMAGES SO THE ABOVE EXCLUSION OR LIMITATION MAY NOT APPLY TO YOU.

LUTEC USA LLC:
149B Houston Rd Troutman NC 28166
Ningbo UTEC Electric Co.,LTD
CN8, Far East Industry Park, Yuyao, China
www.lutec.com
service@lutec.com

**Please call our Customer Service line at 877-714-8669
for assistance Monday - Friday 9 a.m. to 5 p.m. EST**

Printed in China