

CHELSEA

DESCRIPTION:
AS-4759
2 DOOR ROBE

Important

Please inspect all items carefully before assembling.
If for any reason you need to return this
Item, you must return it in its original packaging.
Assembled items cannot be returned.

1.5 hr

APPROXIMATE ASSEMBLY TIME
(EXCLUDING GLUE SETTING TIME)

2 PERSONS ASSEMBLY

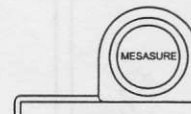
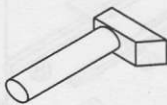


FLOOR AREA
2.7M×2.8M

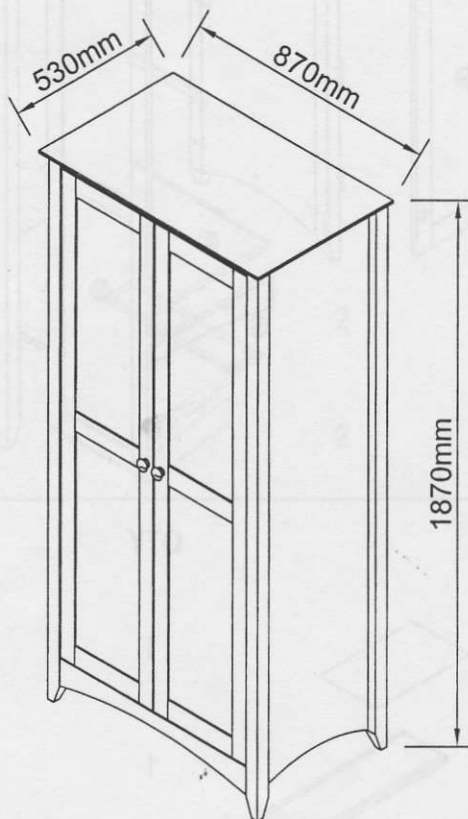
CEILING HEIGHT
2.4M

REQUIRED ASSEMBLY SPACE

REQUIRED ASSEMBLY TOOLS



ASSEMBLED DIMENSIONS



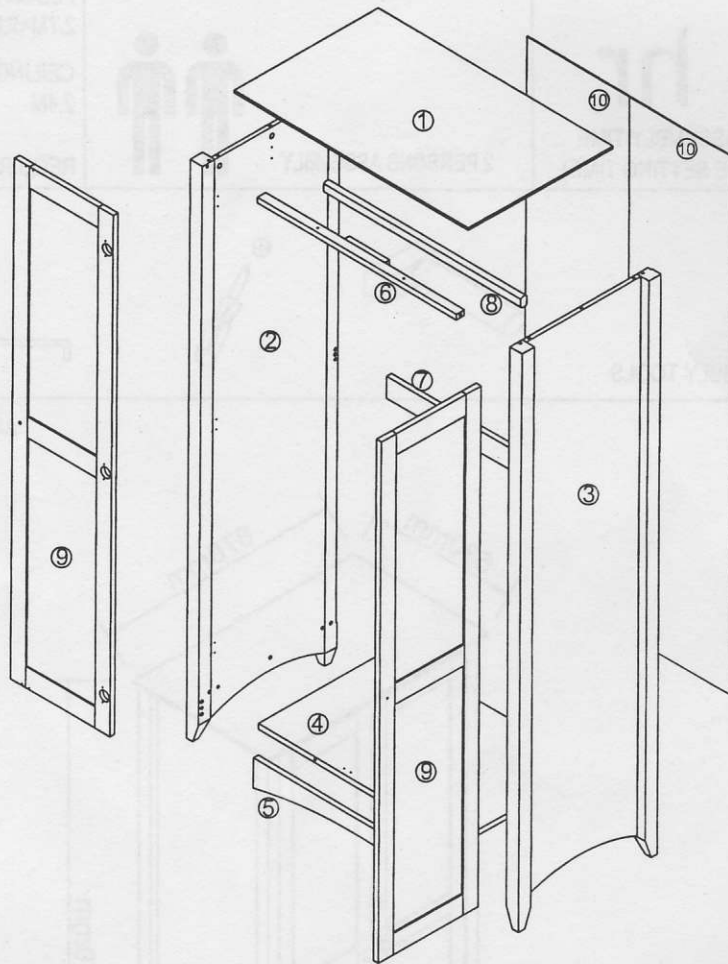
CHELSEA

DESCRIPTION:

AS-4759

2 DOOR ROBE

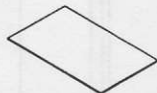
PARTS LIST



NO. PART LIST

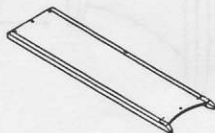
QTY

(1) TOP PANEL



1

(2) LEFT SIDE BOARD



1

Once assembled, this product is not designed for dis-assembly and re-assembly.

CHELSEA

DESCRIPTION:

4759

DOOR ROBE

CHELSEA

DESCRIPTION:

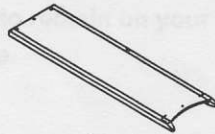
4759

DOOR ROBE

NO. PART LIST

QTY

(3) RIGHT SIDE BOARD



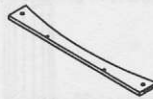
1

(4) BOTTOM BOARD



1

(5) RAIL



1

(6) RAIL



1

(7) BACK RAIL



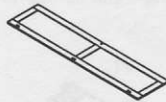
1

(8) CLOTHES RAIL



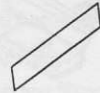
1

(9) DOORS



2

(10) BACK BOARDS



2

HARDWARE LIST

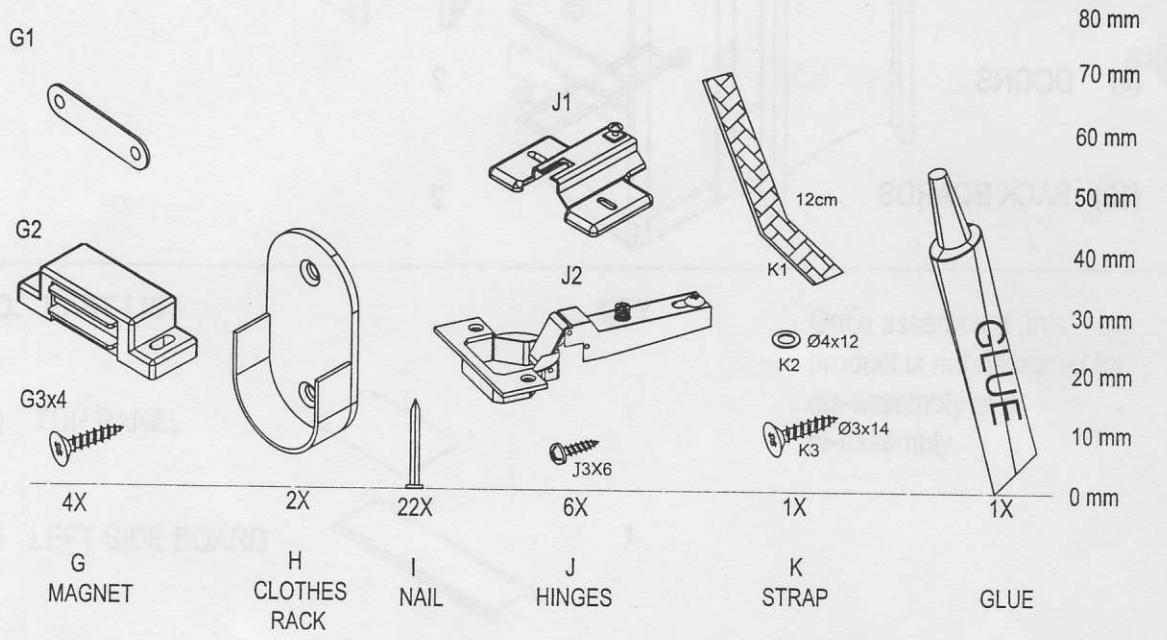
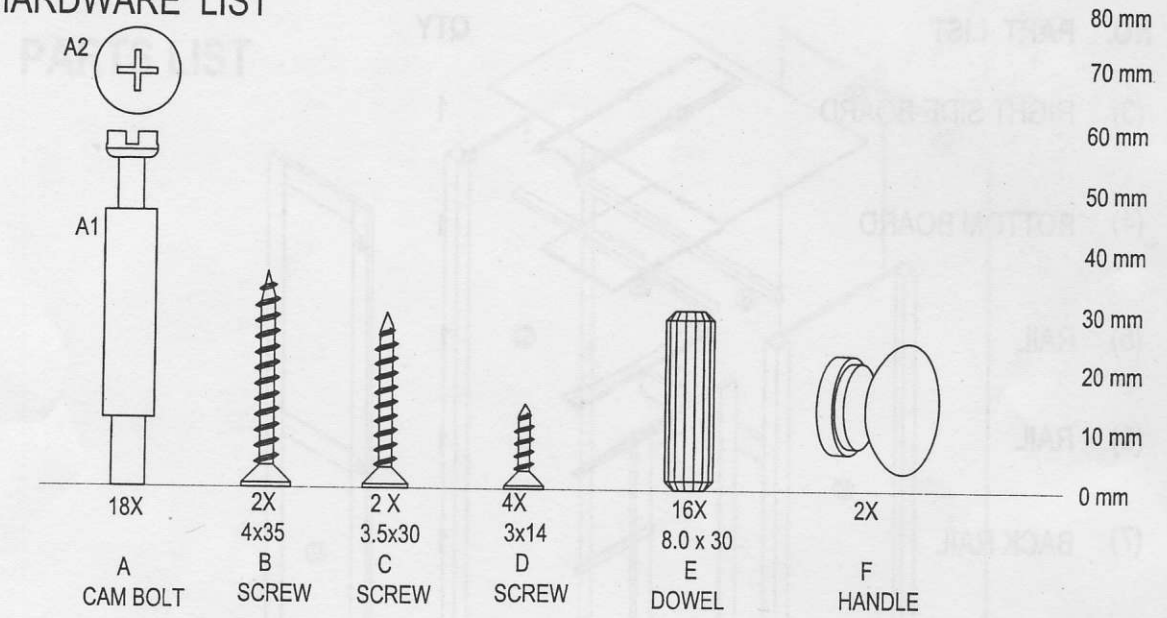
CHELSEA

DESCRIPTION:

AS-4759

2 DOOR ROBE

HARDWARE LIST



LSEA

DESCRIPTION:

4759

DOOR ROBE

Never allow any kind of liquid to remain on your furniture. Absorption can cause wood to warp or finishes to de-laminate.

Top Tips before you start!

1. Please check that all parts are present before you start the assembly of your furniture, as once assembled, the furniture is exempt from our home approval policy.
2. For ease and speed of assembly, we recommend that before you commence each step of the assembly, that you identify all the parts required for that step.
3. For larger items, please ensure that you have sufficient space and people (as indicated on page 1) to assemble your product safely.
4. We recommend that, where possible, all items are assembled near to the area in which they will be placed in use, to avoid moving the product unnecessarily once assembled.
5. For the protection of your furniture, particularly items of high gloss finish, we recommend that the product is placed on a protected surface during assembly to prevent any damage.
6. During assembly please take care not to over-tighten any fittings, as this may damage the product.

Care and Maintenance of your Furniture

Please periodically check all fittings and re-tighten as necessary.

To clean your items, please use a damp cloth and wipe clean.

Routinely check that the fittings are secure and tighten any fitting using the appropriate tools.

-A recommendation that any addition or replacement parts are obtained from the Shop Direct Group.

WARNING. Assembly by adult only.




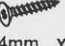


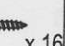

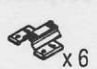

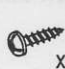
Keep these instructions for future reference

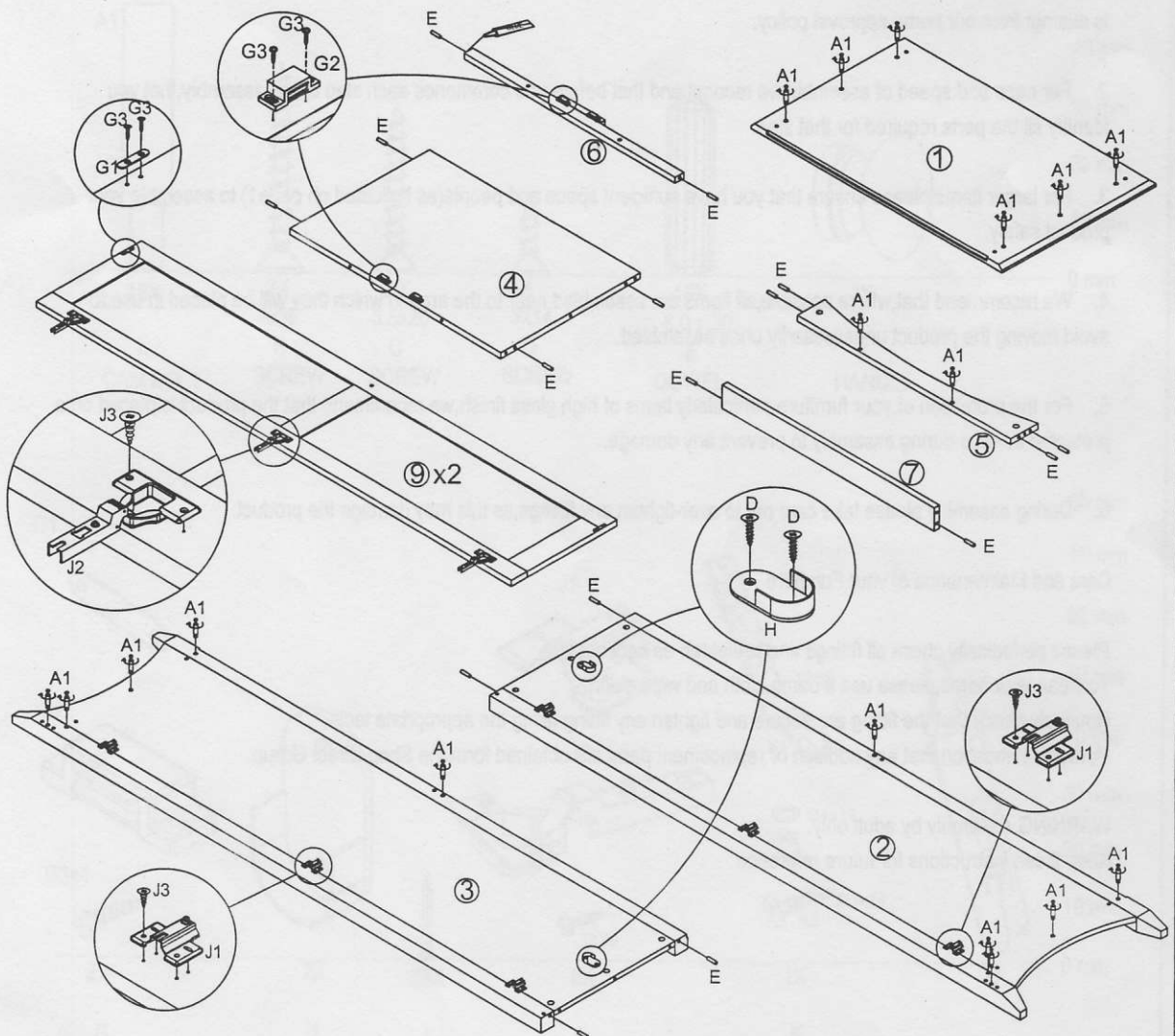
CHELSEA

DESCRIPTION:

AS-4759

2 DOOR ROBE

1	E  x 16	 x 1	A1  x 18	D  Ø3x14mm x 4	G1  x 4	G2  x 4	G3  x 16
	H  x 2	J1  x 6	J2  x 6	J3  x 36	(GLUE SETTING TIME:30 MINUTES)		



CHELSEA

DESCRIPTION:

4759


DOOR ROBE

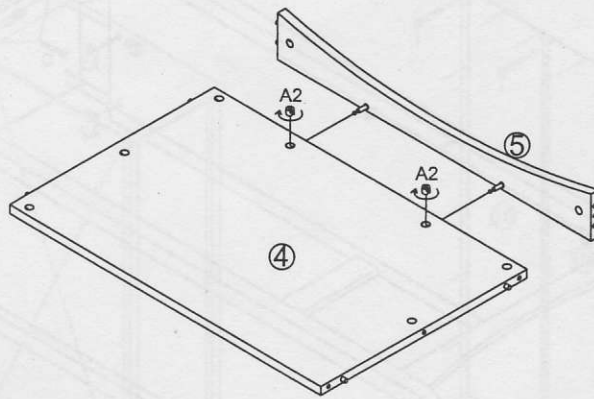
CHELSEA


DESCRIPTION:

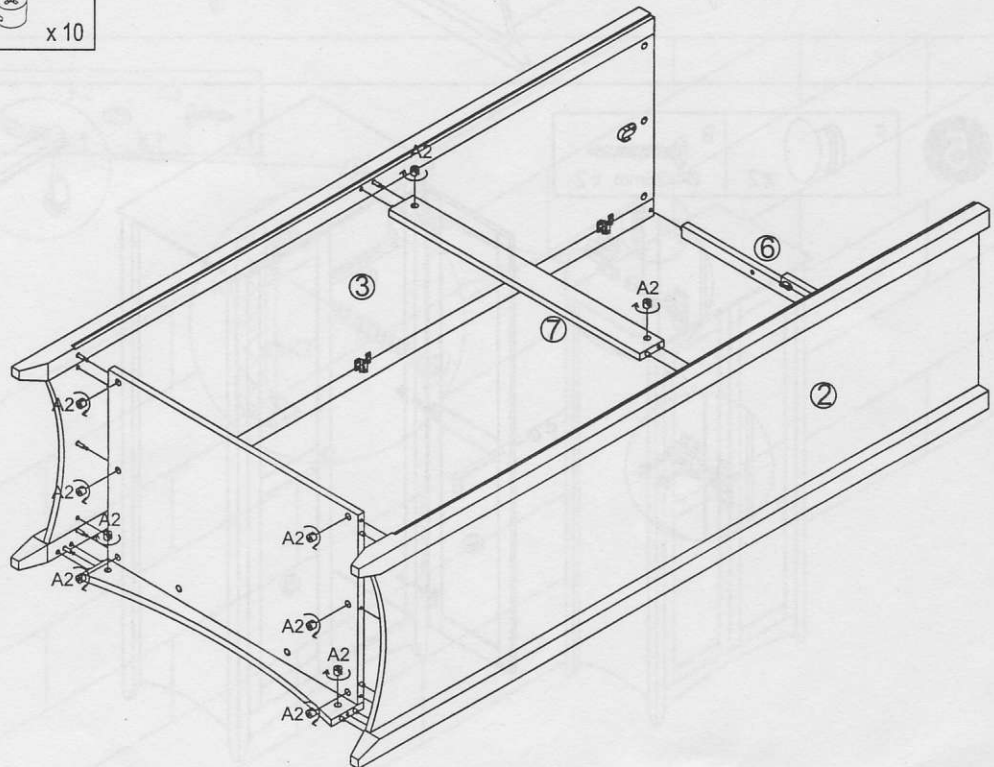
4759

DOOR ROBE

2 A2  x 2



3 A2  x 10



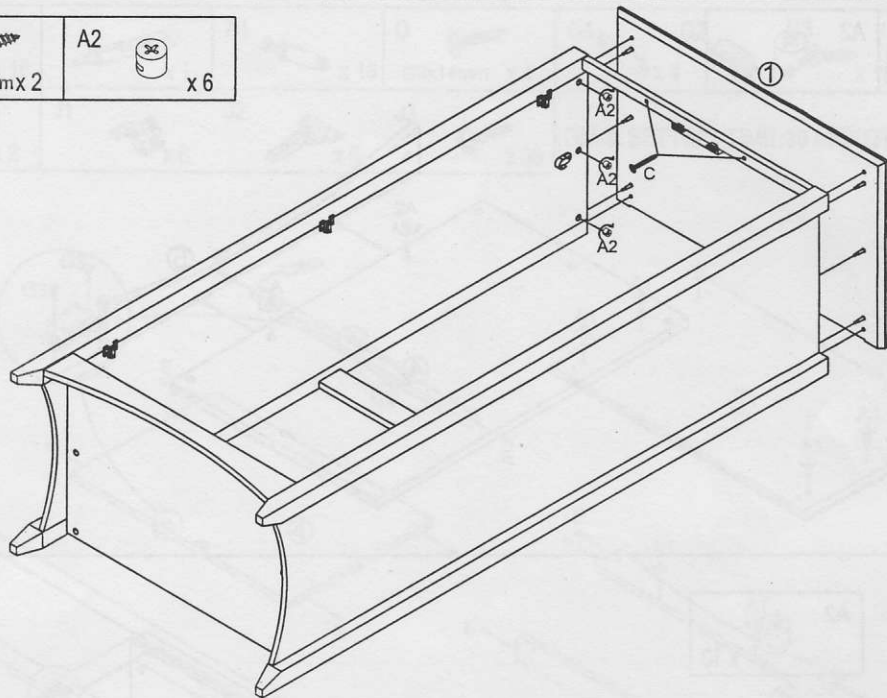
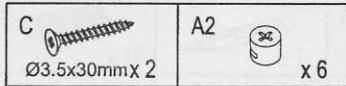
CHELSEA

DESCRIPTION:

AS-4759

2 DOOR ROBE

4



5

