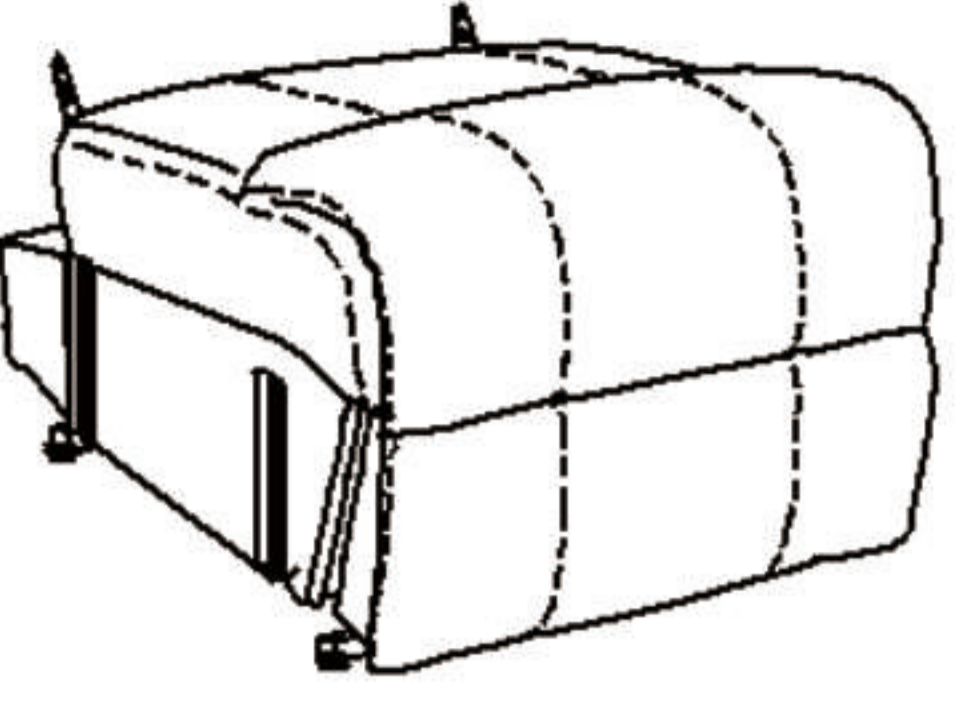
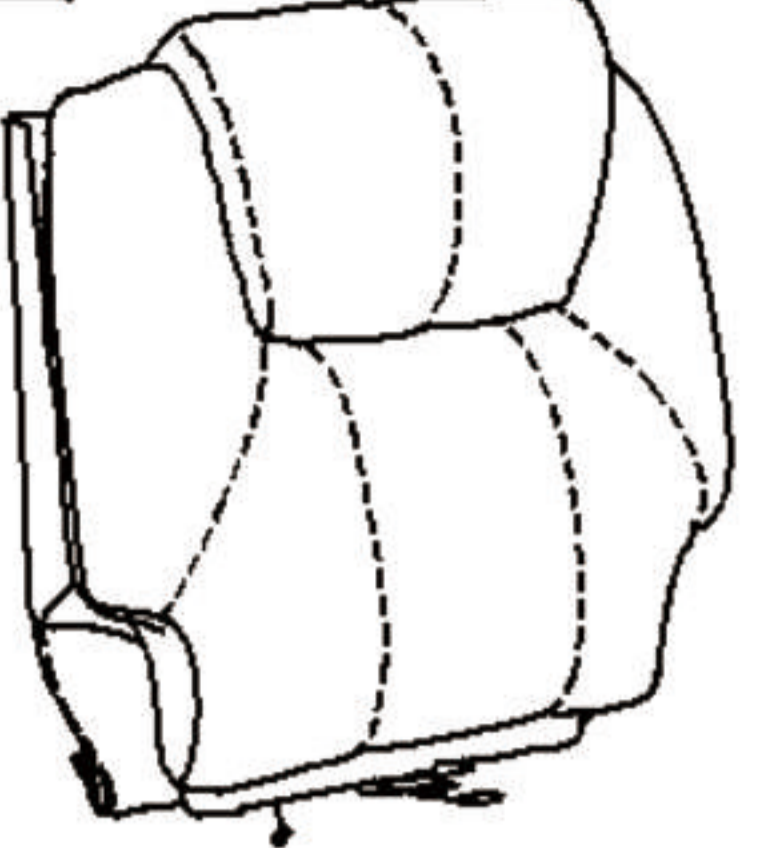
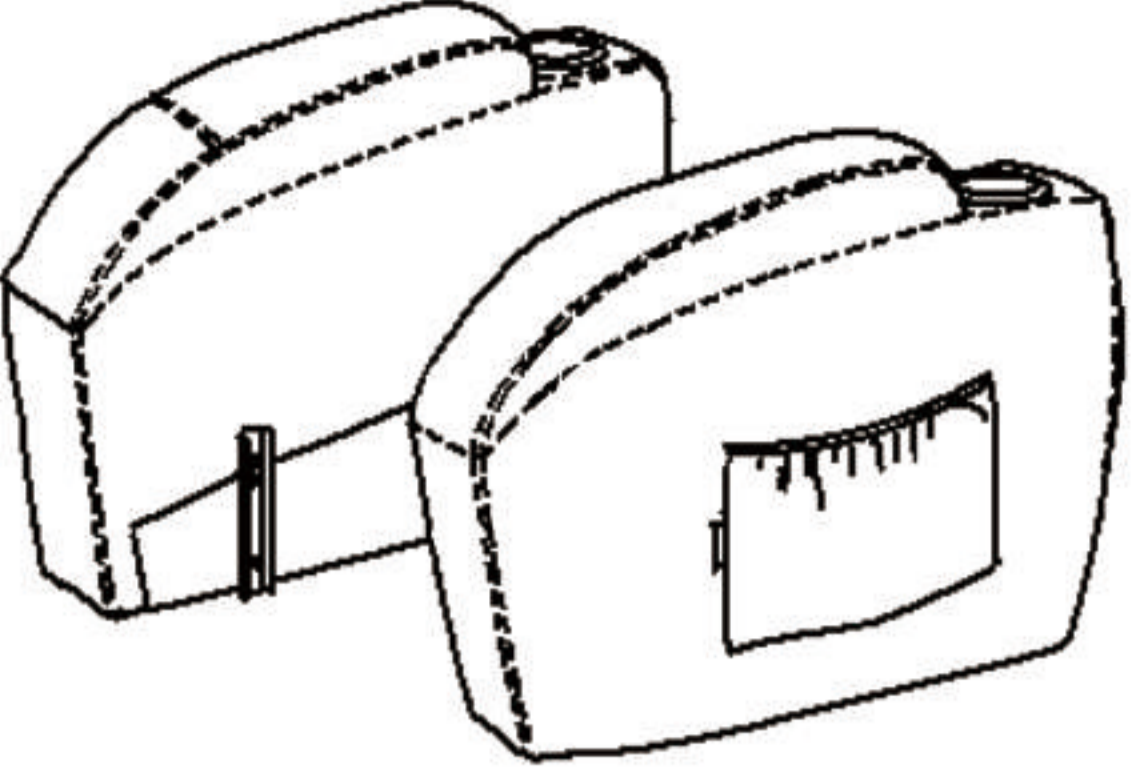
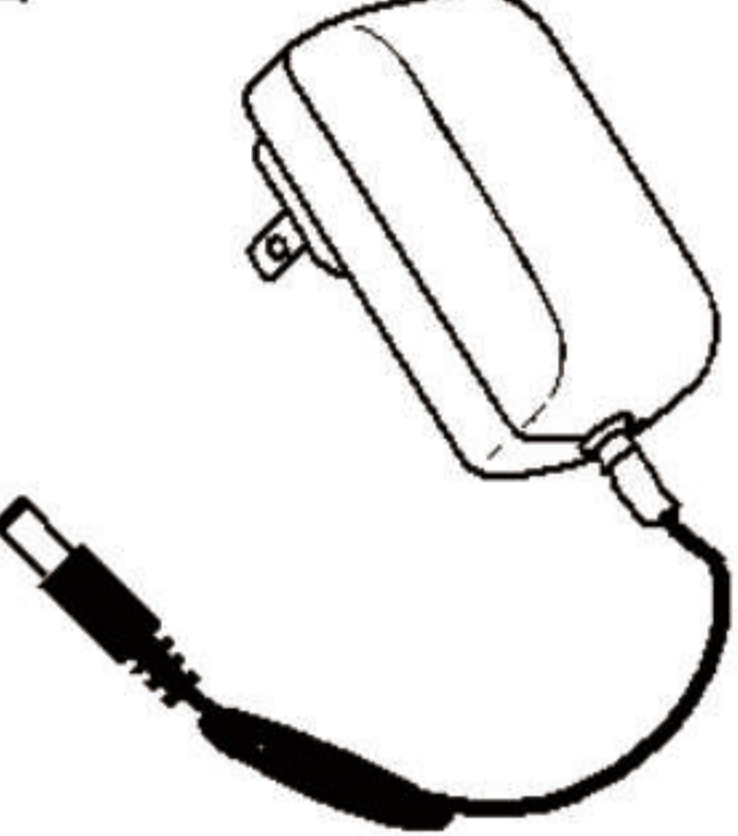
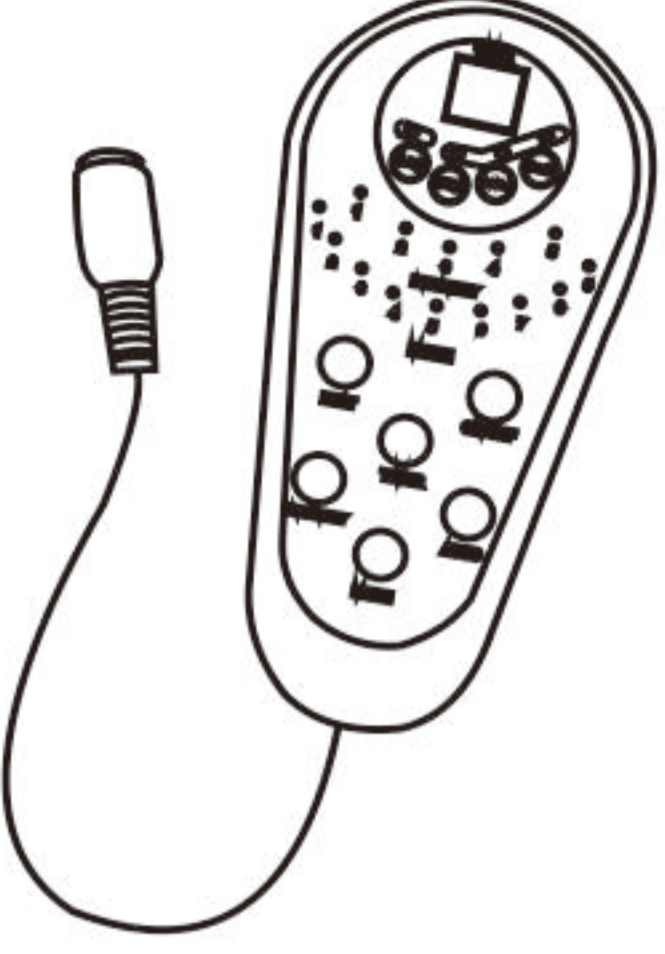
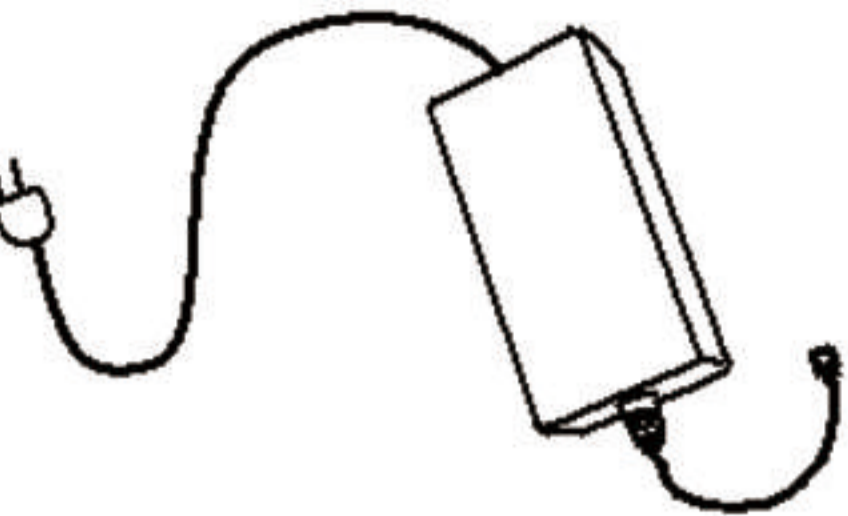

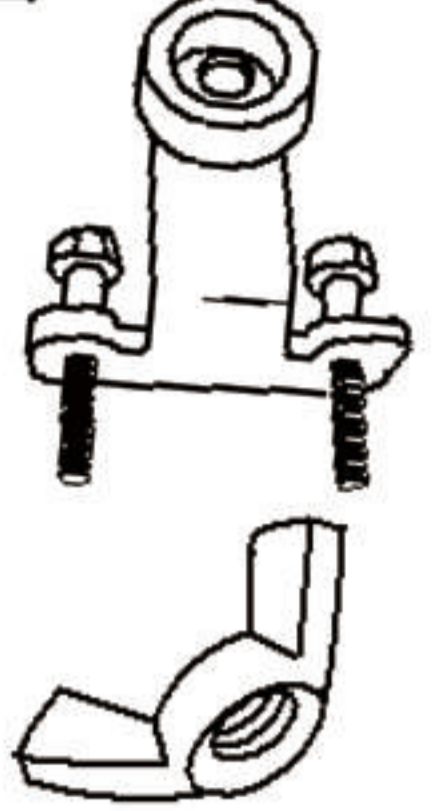

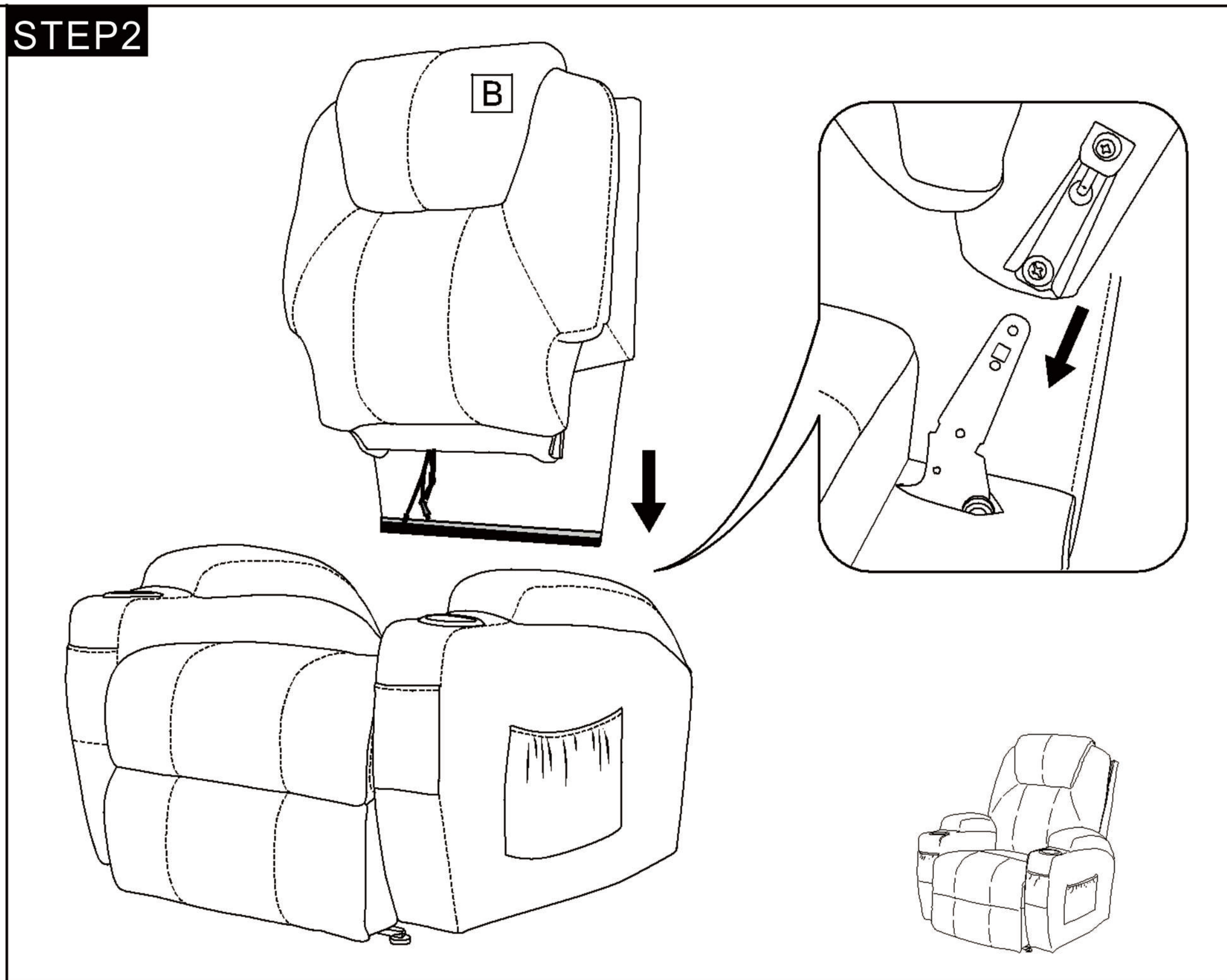
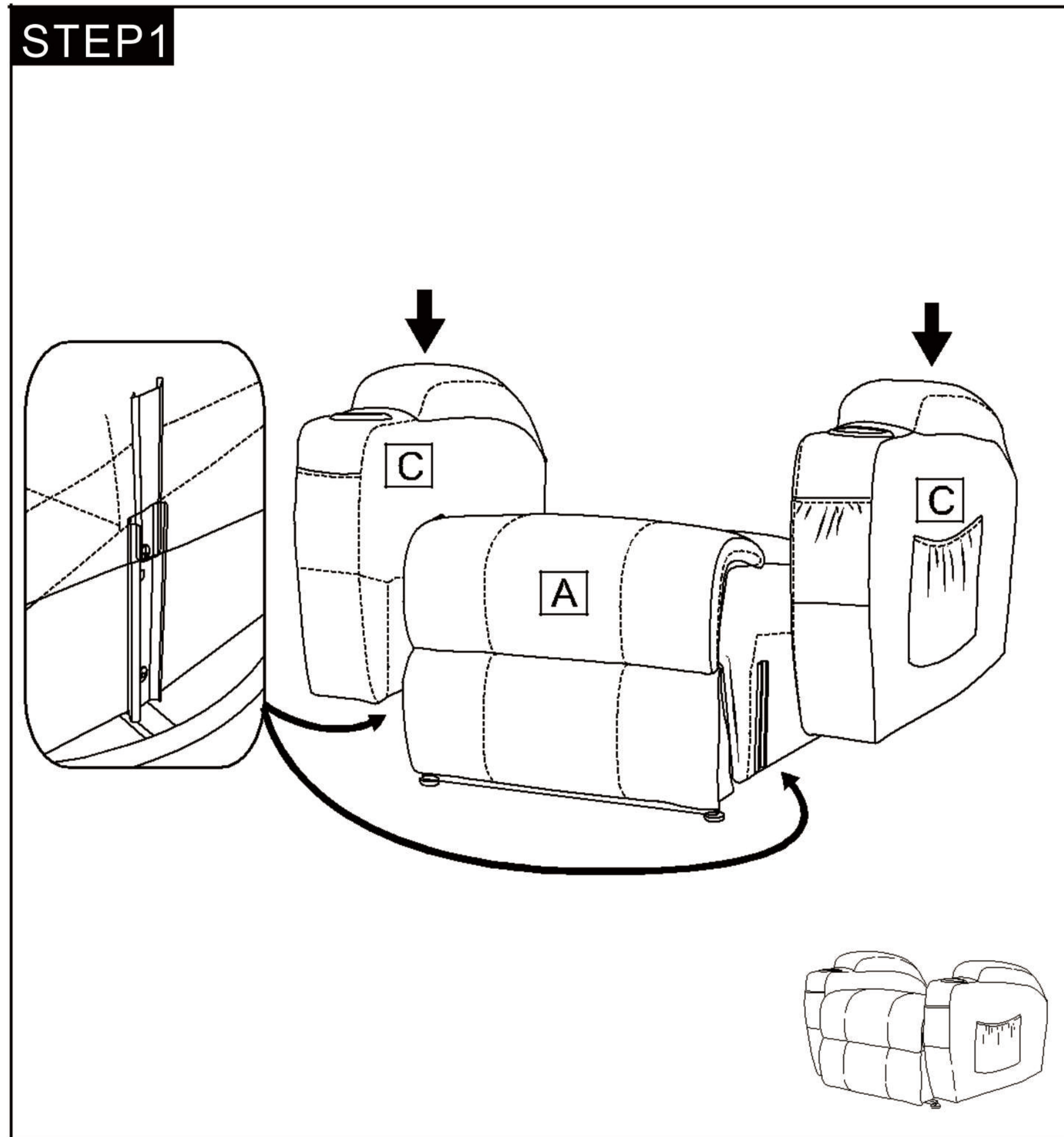


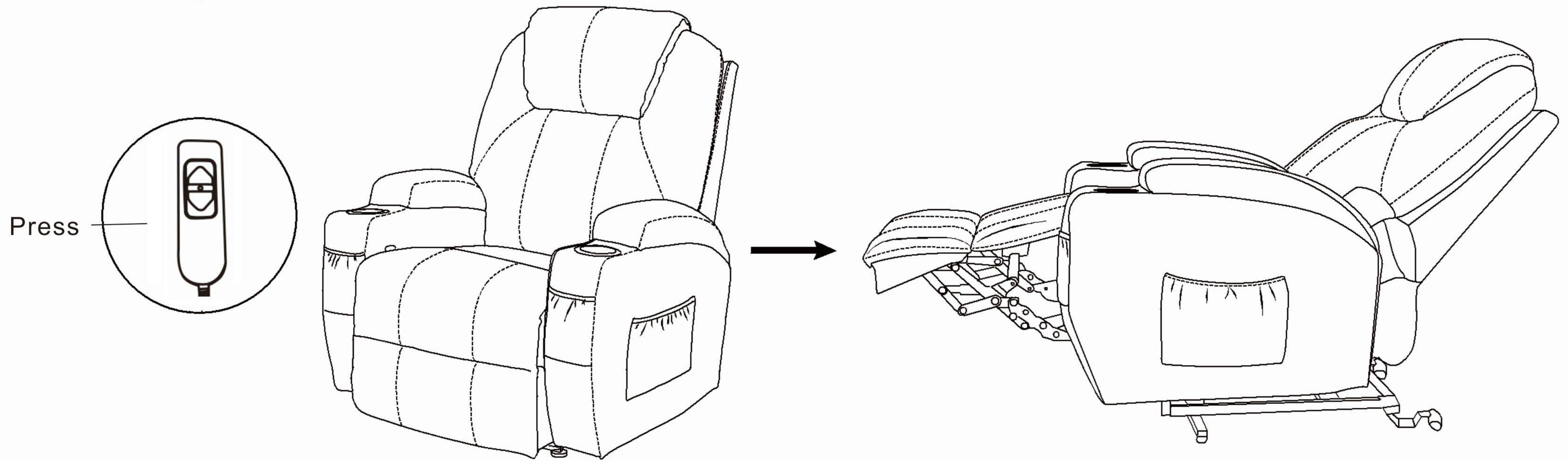
Massage Recliner Assembly Instruction

A 	B 	C 	D 	E 	F 	G 	H 	I 
Chair base	Backrest	Left and right armrest	Power cord	Massagecontrol	Power Source	Lift control	Parts	Line

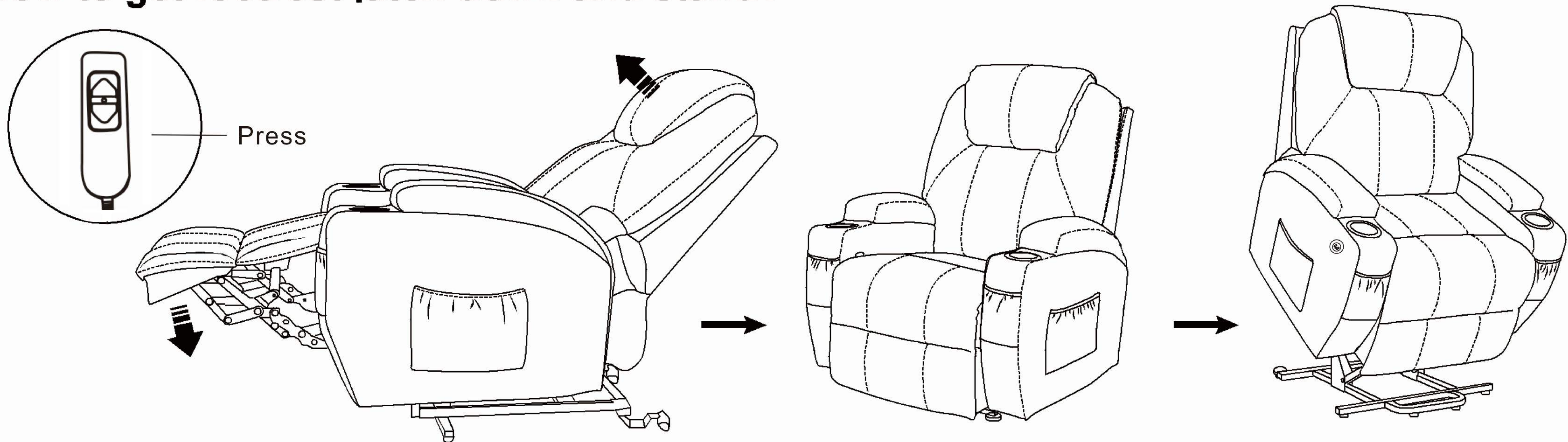


Massage Recliner Assembly Instruction

How to recline?

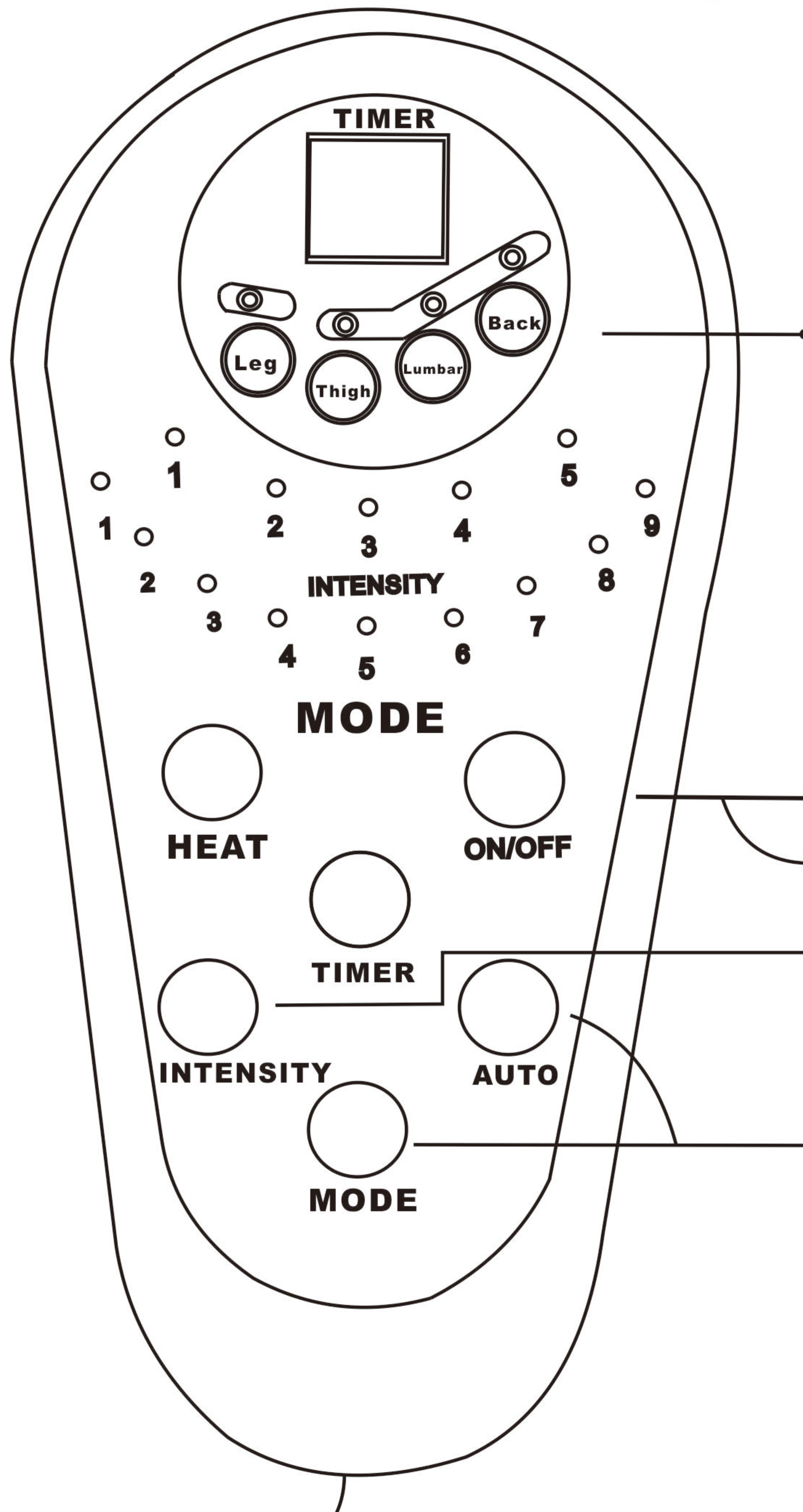


How to get footrest latch down and stand?



Massage Recliner Assembly Instruction

How to use remote control?



You can choose 1-4 massage parts(back,lumbar,thighs,legs)to enjoy

ON/OFF:Turn on/off remote control

HEAT:Turn on/off heat function for lumbar part only

INTENSITY:Control massage funcion from low to high

MODE:Choose one massage mode you like(pulse,press,wave,auto,normal)