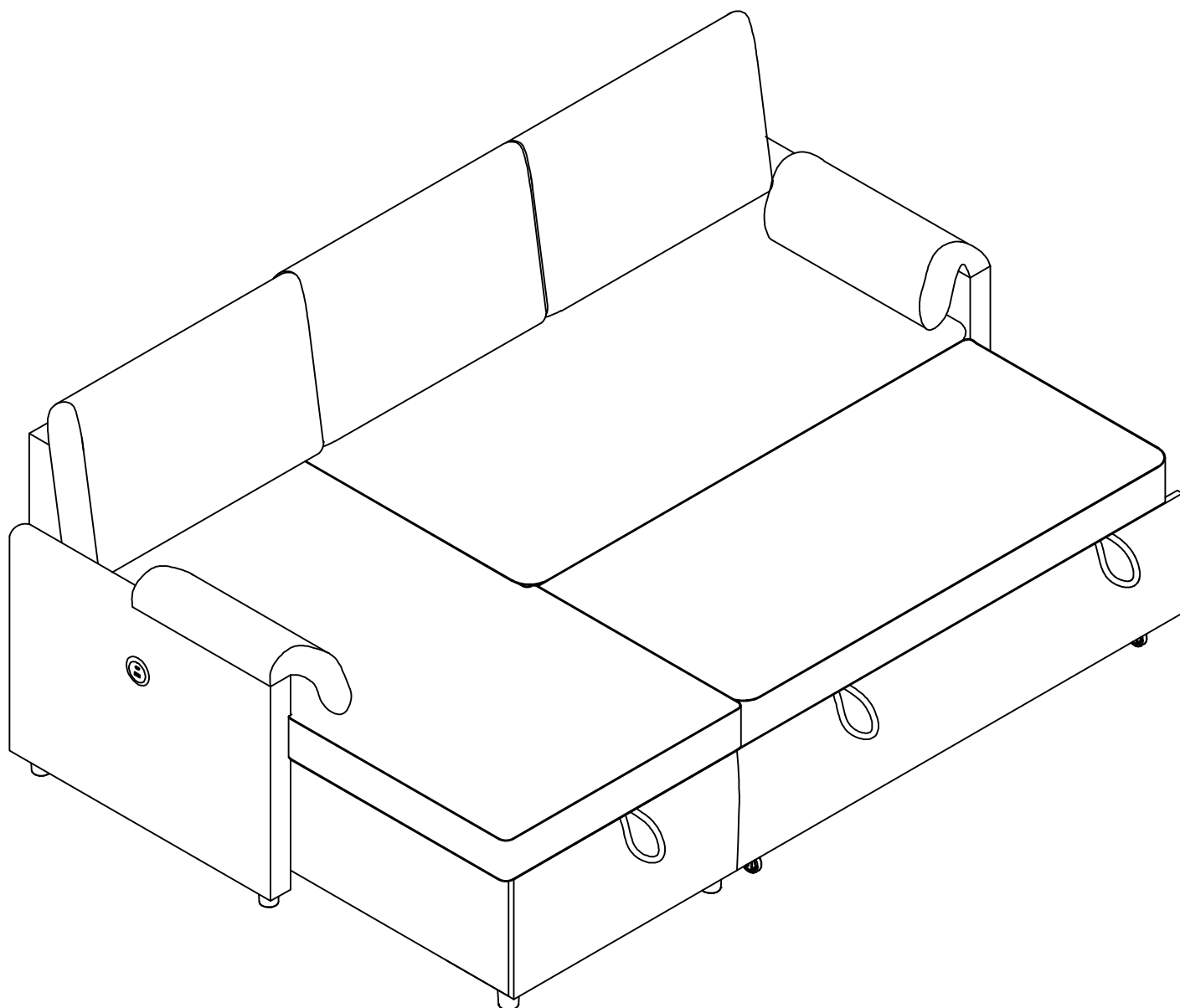


User's Manual

Sofa





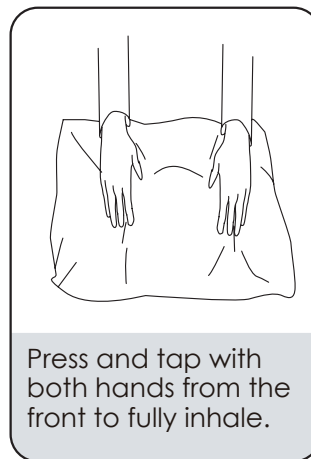
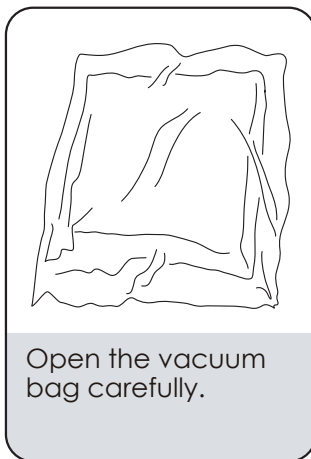
Safety and Care Advice

Important - Please read these instructions fully before starting assembly

Thanks for your purchase. Before assembling, please follow the instructions to check if all the spare parts and screws are intact.

- Considering the size and weight of the sofa, we recommend two adults to assemble the sofa, on a carpeted or padded area, in the room that it is intended for. Approximate assembly time: 30 minutes.
- Please do not throw away any of the packaging or the instruction until you have checked all the components and hardware and the furniture is fully assembled. Please ensure that the packaging is disposed in a safe and environmentally friendly way.
- Keep all components and packaging out of reach of children or animals to avoid the risk of choking or suffocation.
- Please do not take off the cover, and do not wash.

Your cushions come vacuum packed and sealed for shipping. To restore the cushion's original shape, follow the steps below.

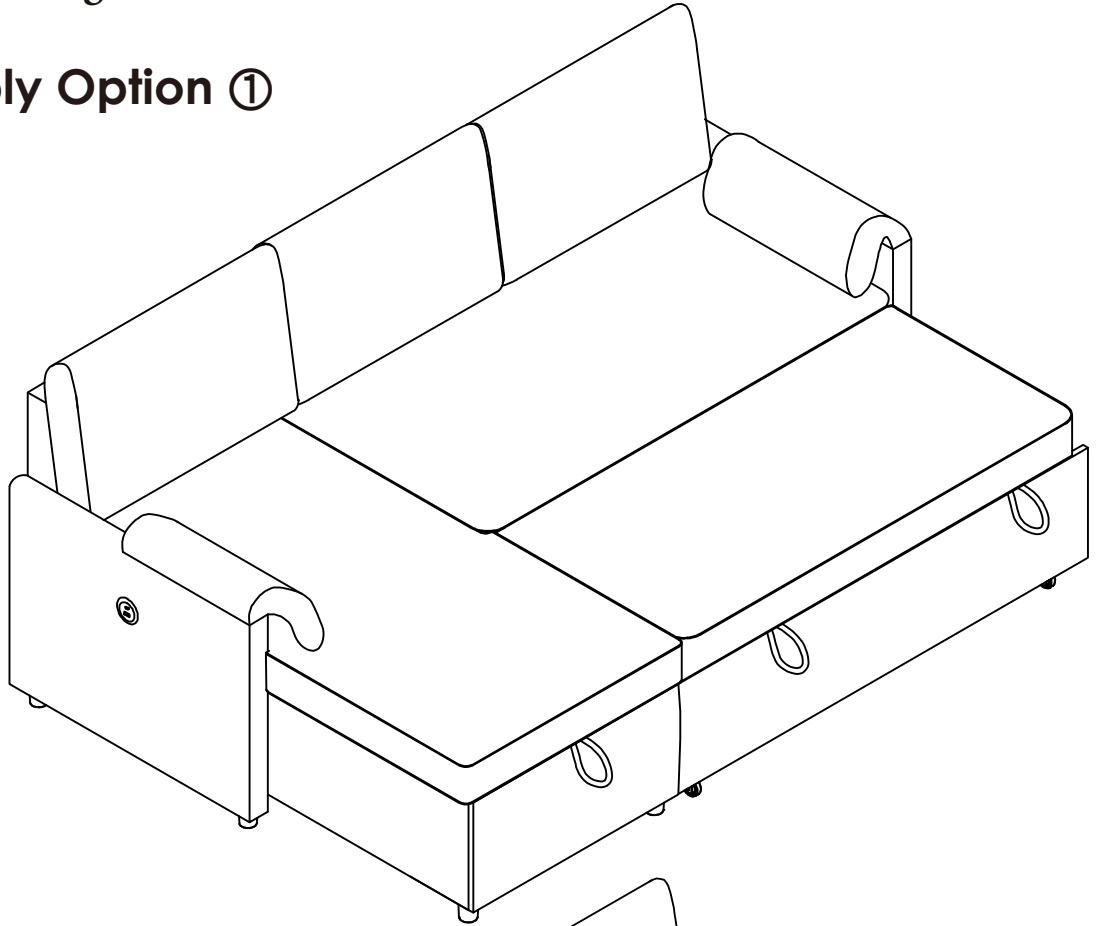


Recovery takes 48 hours and requires tapping the backrest.

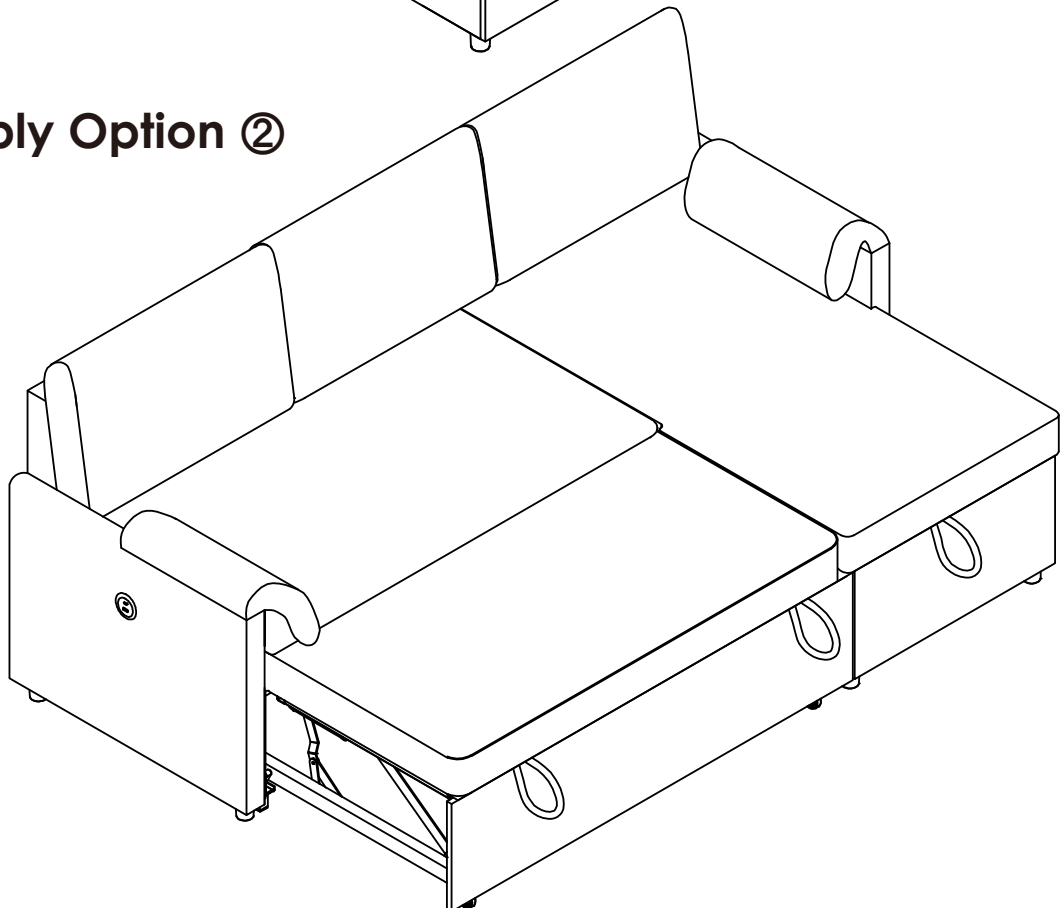
Attention:

1. Please install other parts first, and then open the compressed backrest and seat cushion.
2. Be careful not to scratch the product when opening the compressed package.
3. The sponge is expected to recover in 48 hours, and you can speed up the recovery by patting the backrest.

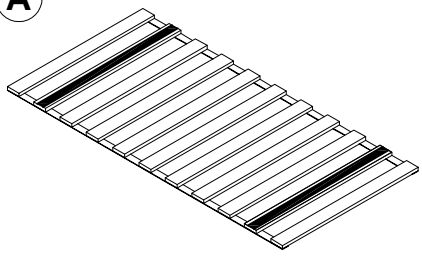
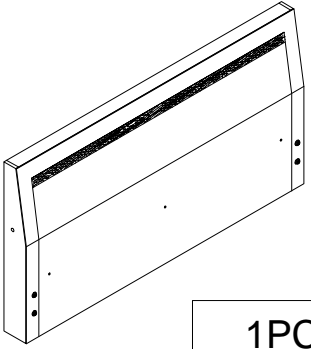
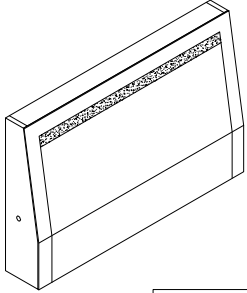
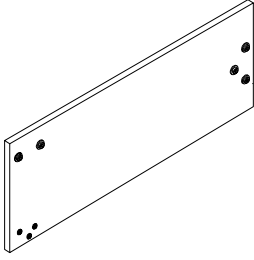
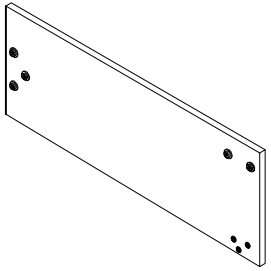
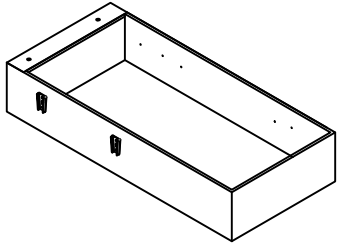
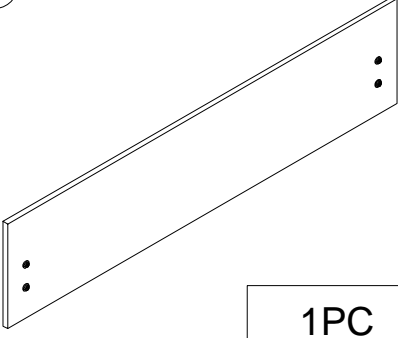
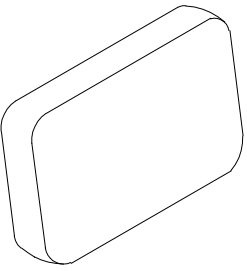
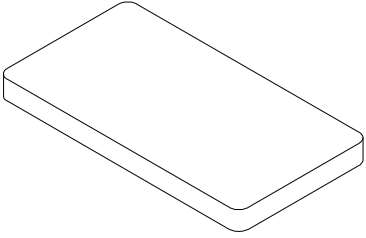
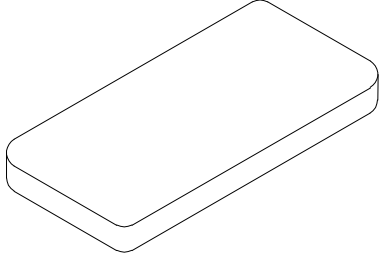
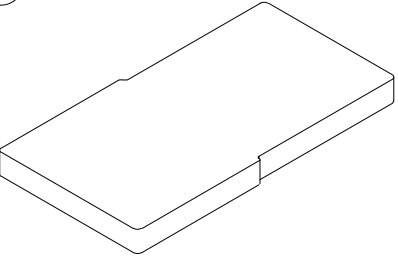
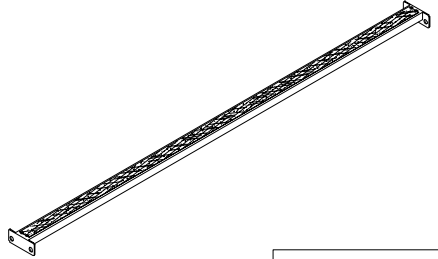
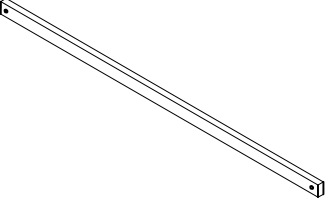
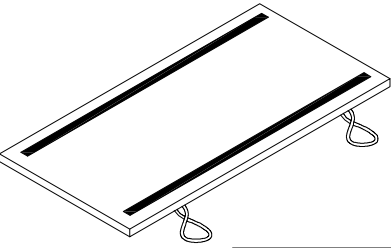
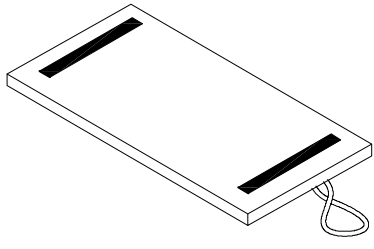
Assembly Option ①



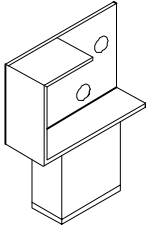
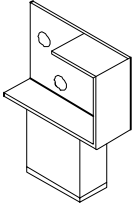
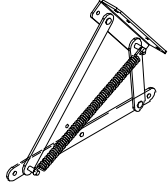
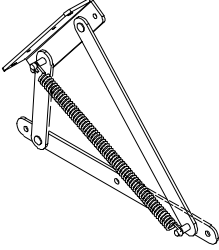
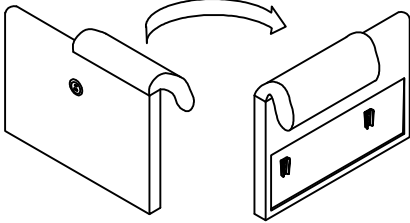
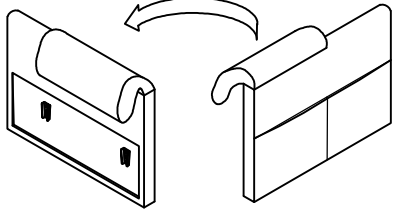
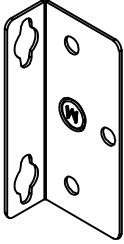
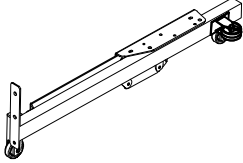
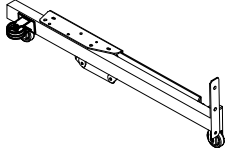
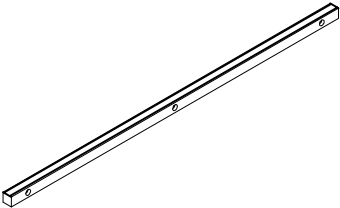
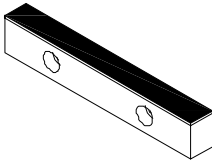
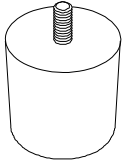
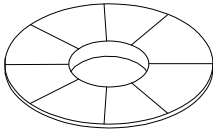
Assembly Option ②



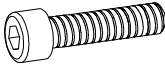
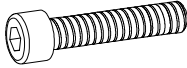

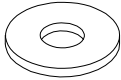
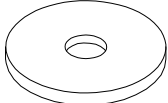
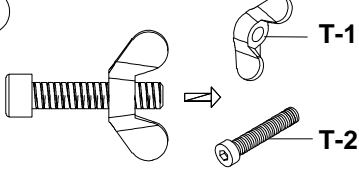
Main Structure Accessories

<p>A</p>  <p>1PC</p>	<p>C</p>  <p>1PC</p>	<p>C1</p>  <p>1PC</p>
<p>D</p>  <p>1PC</p>	<p>D1</p>  <p>1PC</p>	<p>D2</p>  <p>1PC</p>
<p>E</p>  <p>1PC</p>	<p>F</p>  <p>3PCS</p>	<p>F1</p>  <p>1PC</p>
<p>F2</p>  <p>1PC</p>	<p>F3</p>  <p>1PC</p>	<p>G</p>  <p>1PC</p>
<p>G1</p>  <p>1PC</p>	<p>H</p>  <p>1PC</p>	<p>H1</p>  <p>1PC</p>

Main Structure Accessories

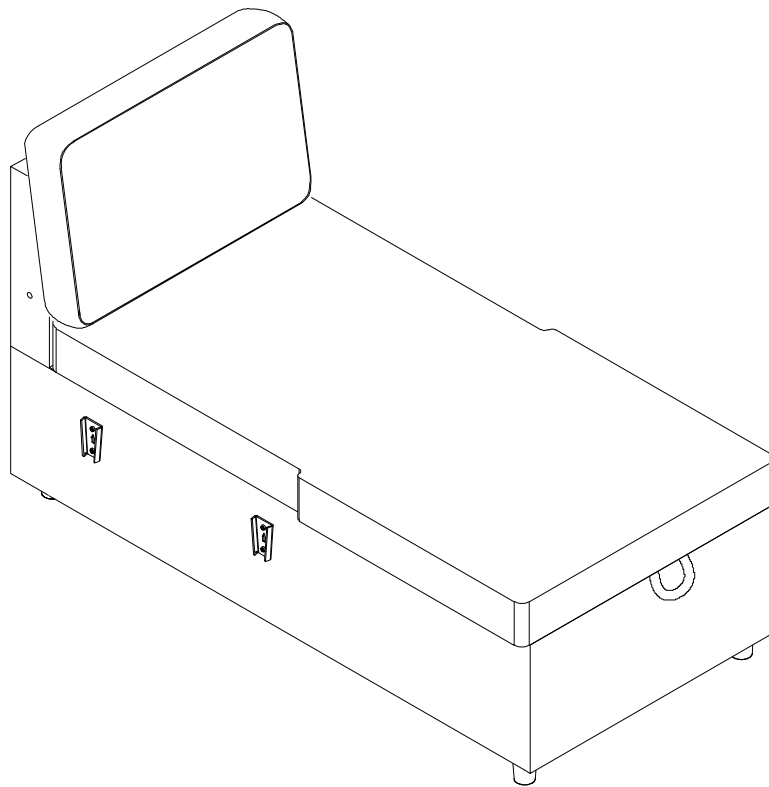
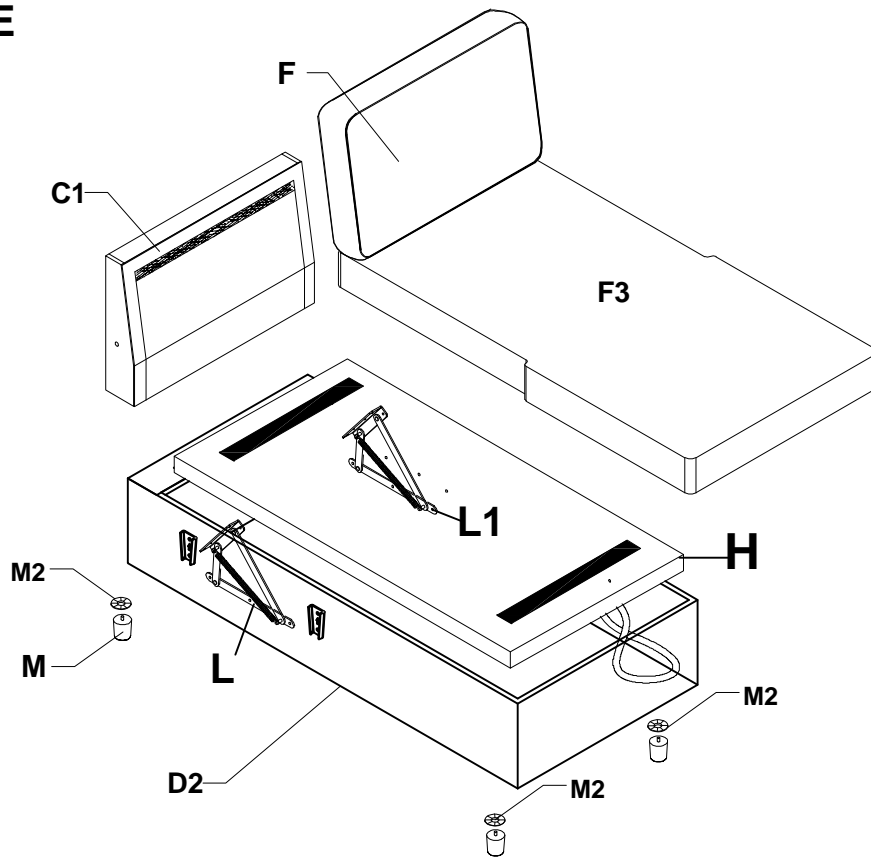
<p>J</p>  <p>1PC</p>	<p>J1</p>  <p>1PC</p>	<p>L</p>  <p>1PC</p>
<p>L1</p>  <p>1PC</p>	<p>R1</p>  <p>1PC</p>	<p>R2</p>  <p>1PC</p>
<p>W</p>  <p>2PCS</p>	<p>S</p>  <p>1PC</p>	<p>S1</p>  <p>1PC</p>
<p>Z</p>  <p>1PC</p>	<p>Z2</p>  <p>3PC</p>	<p>M</p>  <p>10PCS</p>
<p>M2</p>  <p>10PCS</p>		

Hardware Parts

<p>(N)</p>  <p>M8×30mm</p> <p style="text-align: right;">11+1PCS</p>	<p>(N1)</p>  <p>M8×45mm</p> <p style="text-align: right;">4PCS</p>	<p>(P)</p>  <p style="text-align: right;">1PC</p>
<p>(P1)</p>  <p>Small</p> <p style="text-align: right;">11+1PCS</p>	<p>(P2)</p>  <p>Big</p> <p style="text-align: right;">6PCS</p>	<p>(T)</p>  <p>M8×50mm</p> <p style="text-align: right;">1SET</p>

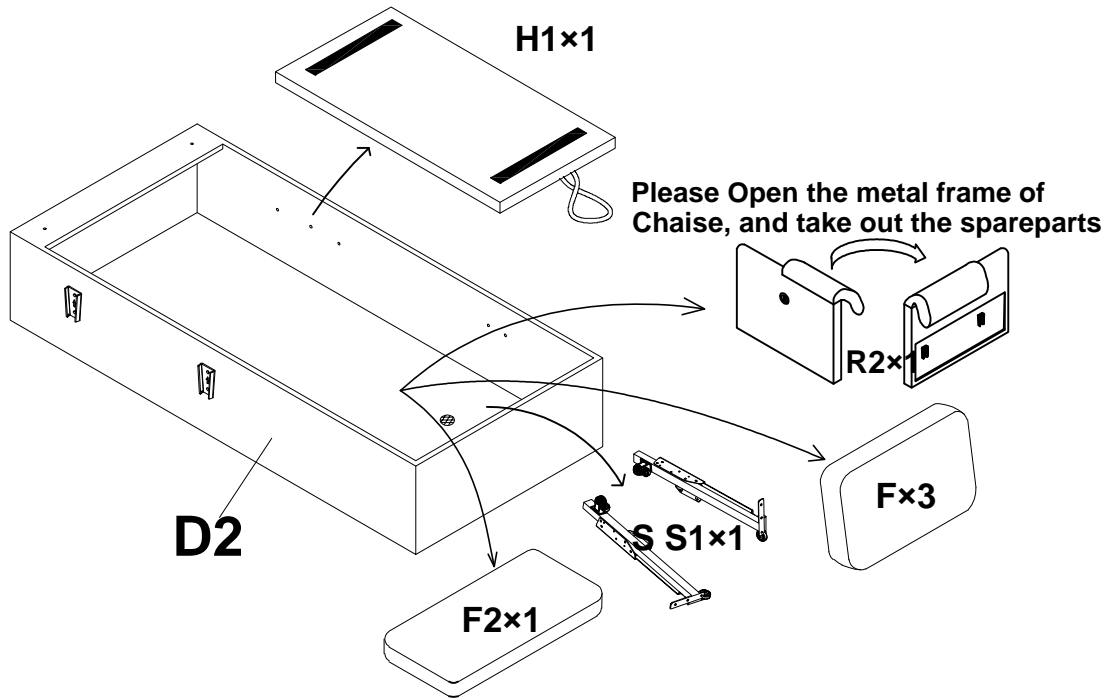
Main Structure Accessories

CHAISE

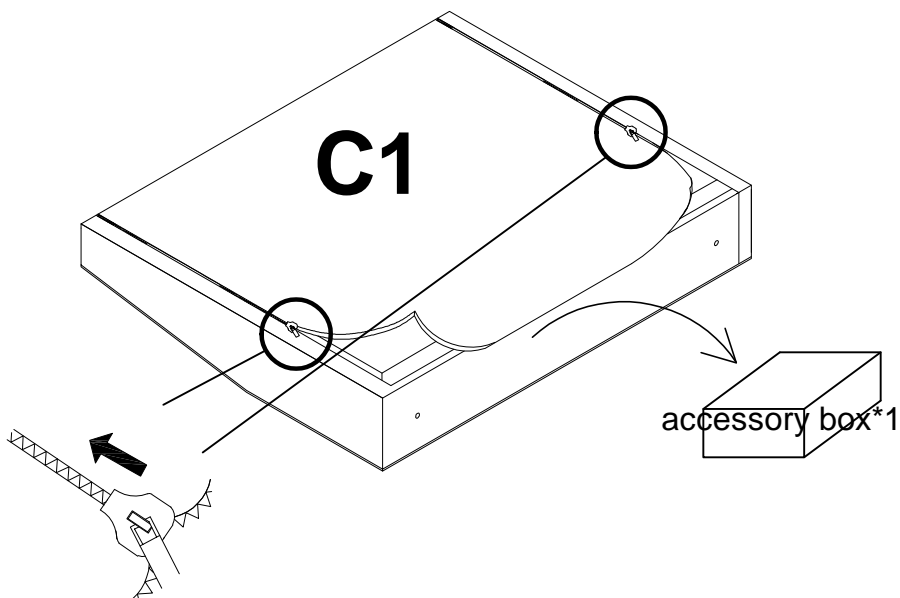


STEP 1

How to find out
he hidden parts

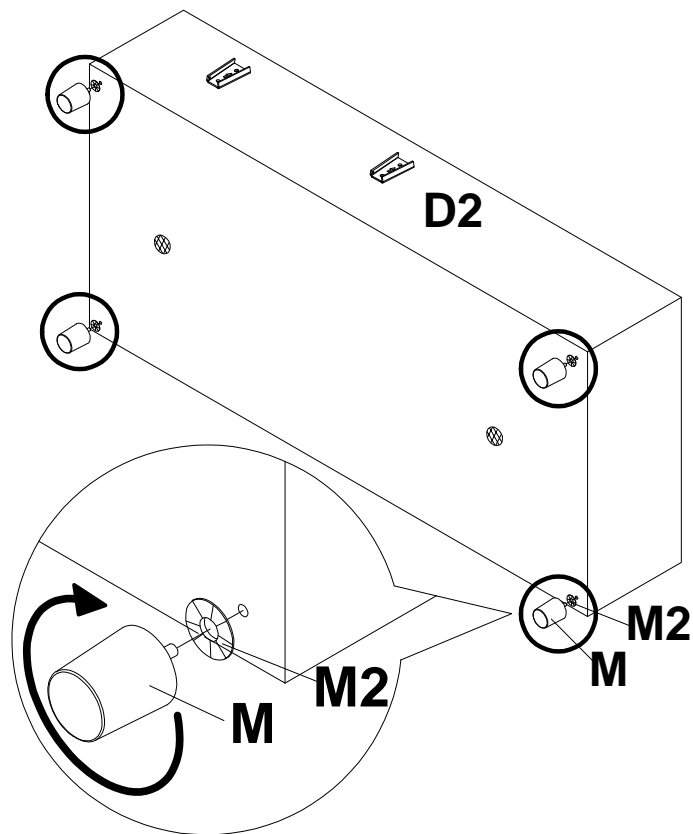


Please take out the A
from the back of C1.

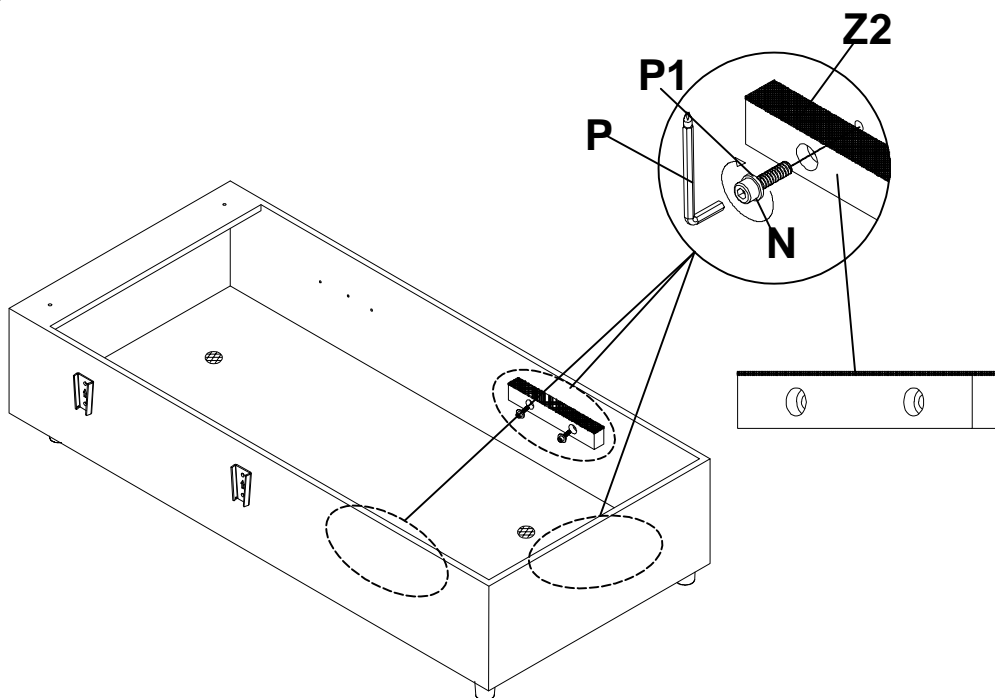





Assembly Steps(EN) / Montageschritte(DE)

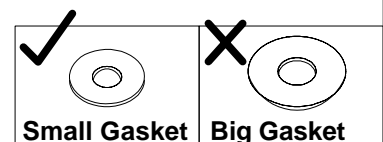
STEP 2



STEP 3



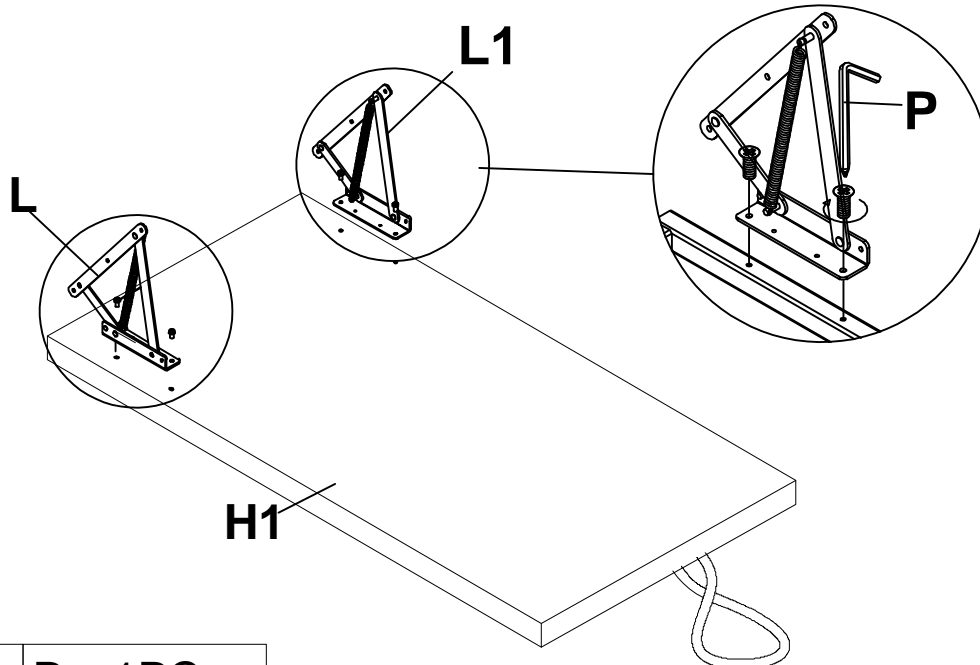
	N x 6PCS
	P1 x 6PCS
	P x 1PC



Assembly Steps(EN) / Montageschritte(DE)

STEP 4

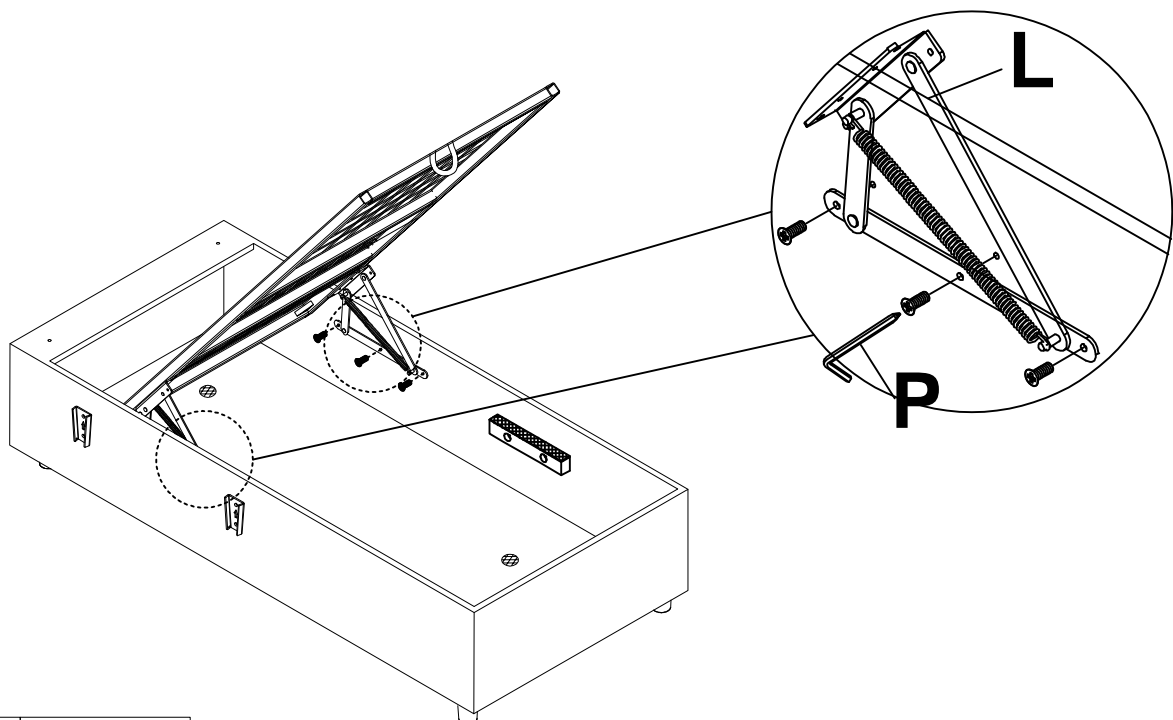
Loosen the screw, align the hole, and then tighten the screw.



P x 1PC

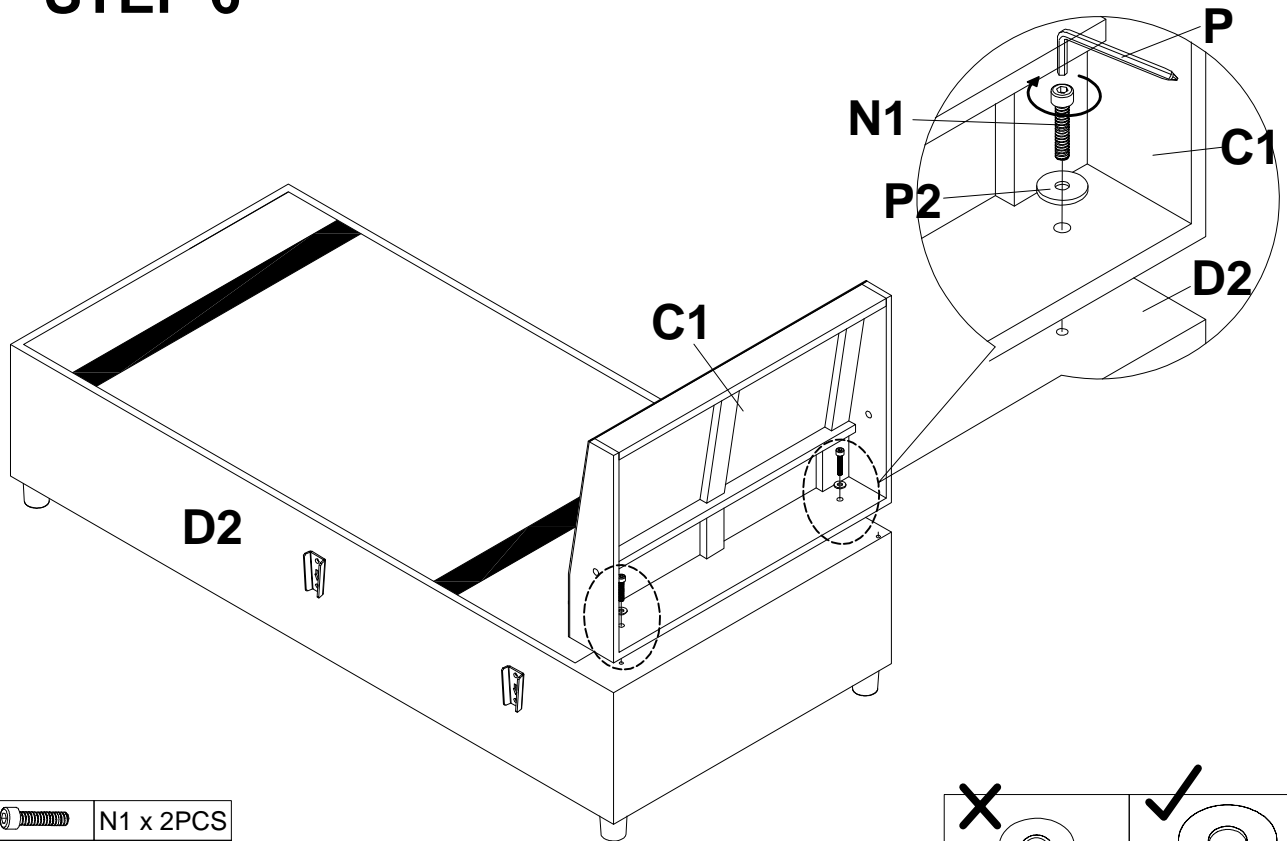
STEP 5




Loosen the screw, align the hole, and then tighten the screw.

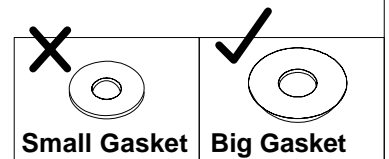


P x 1PC

STEP 6

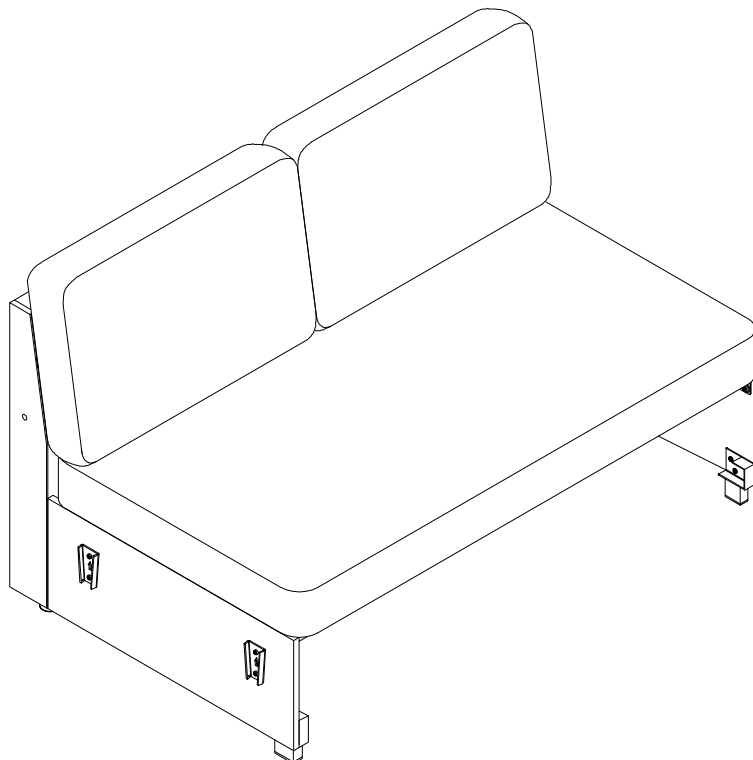
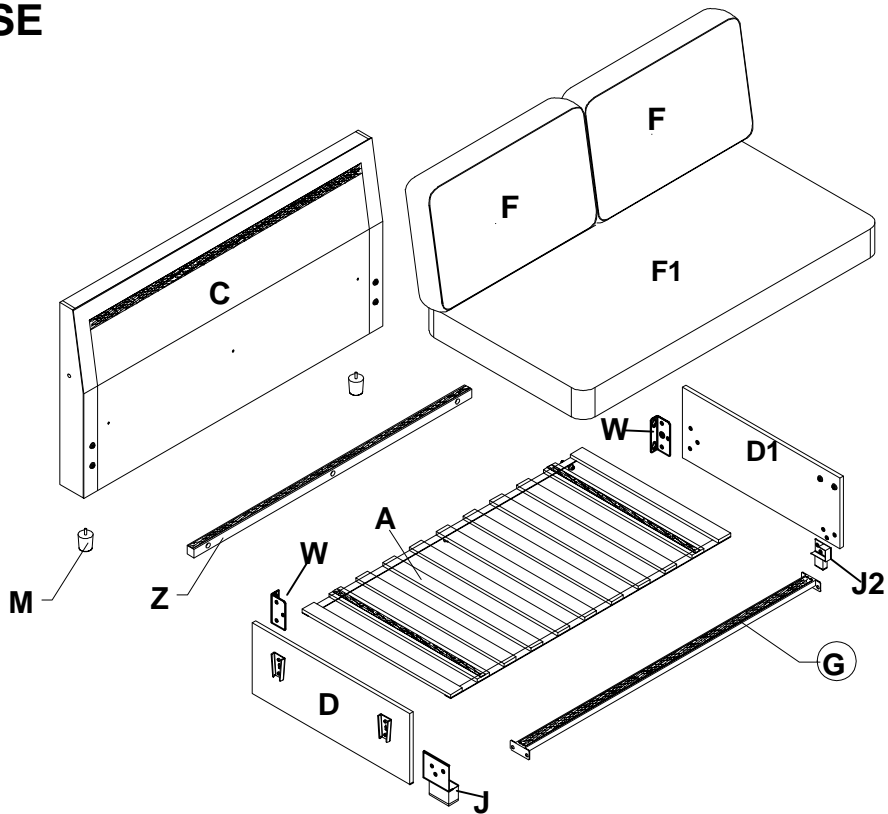


	N1 x 2PCS
	P2 x 2PCS
	P x 1PC

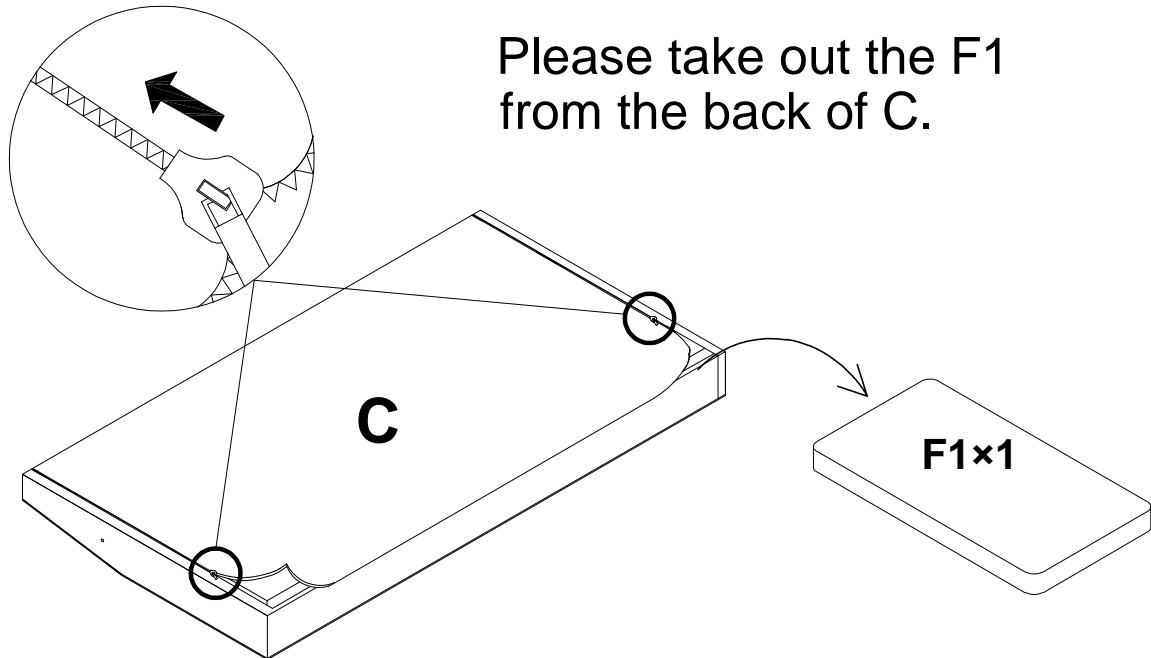


Main Structure Accessories

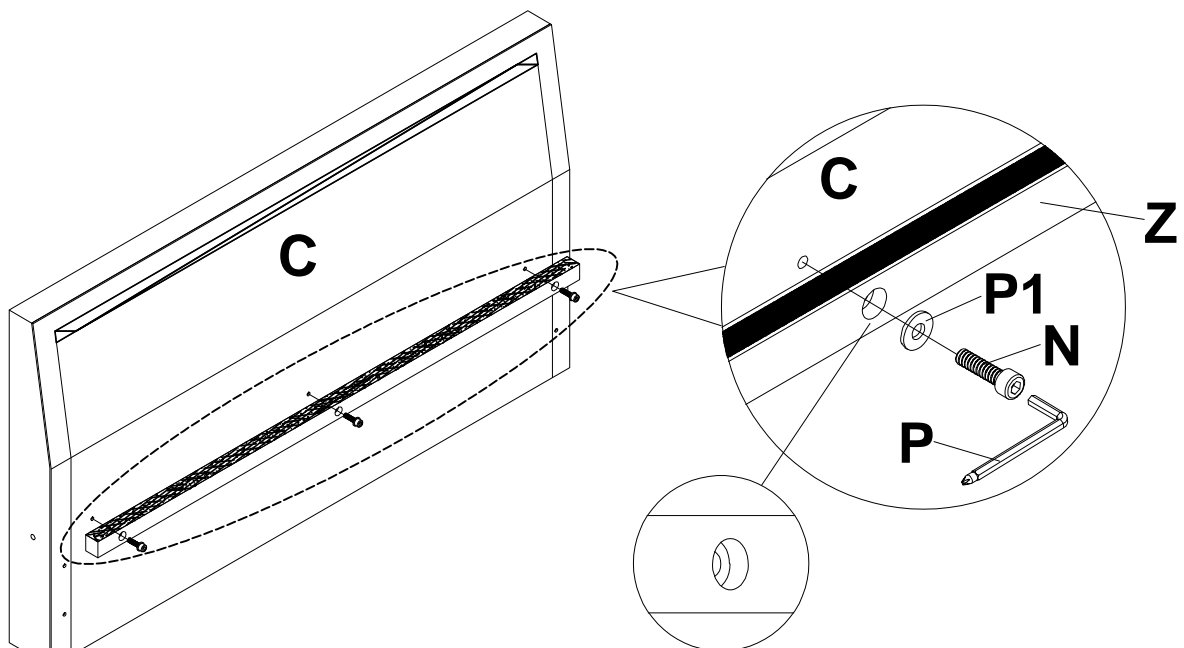
CHAISE






STEP 7

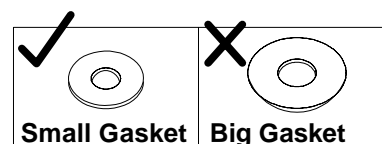


STEP 8

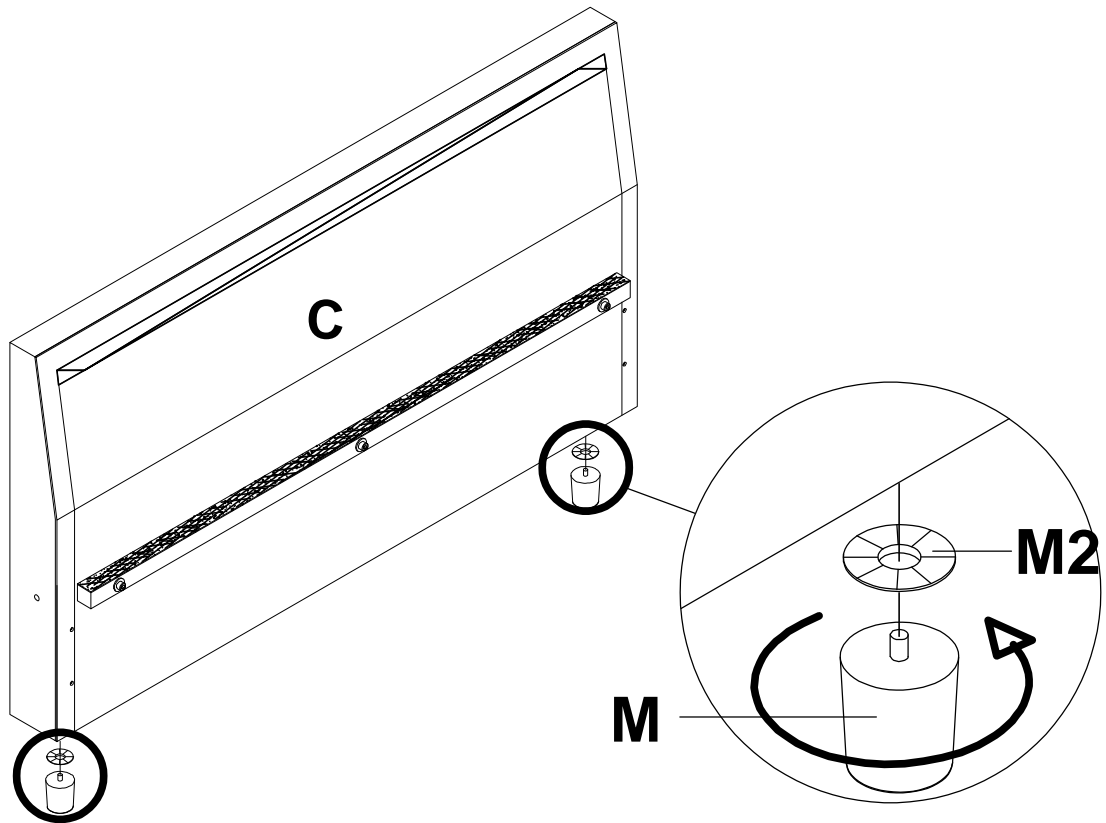


Countersunk holes face outward.

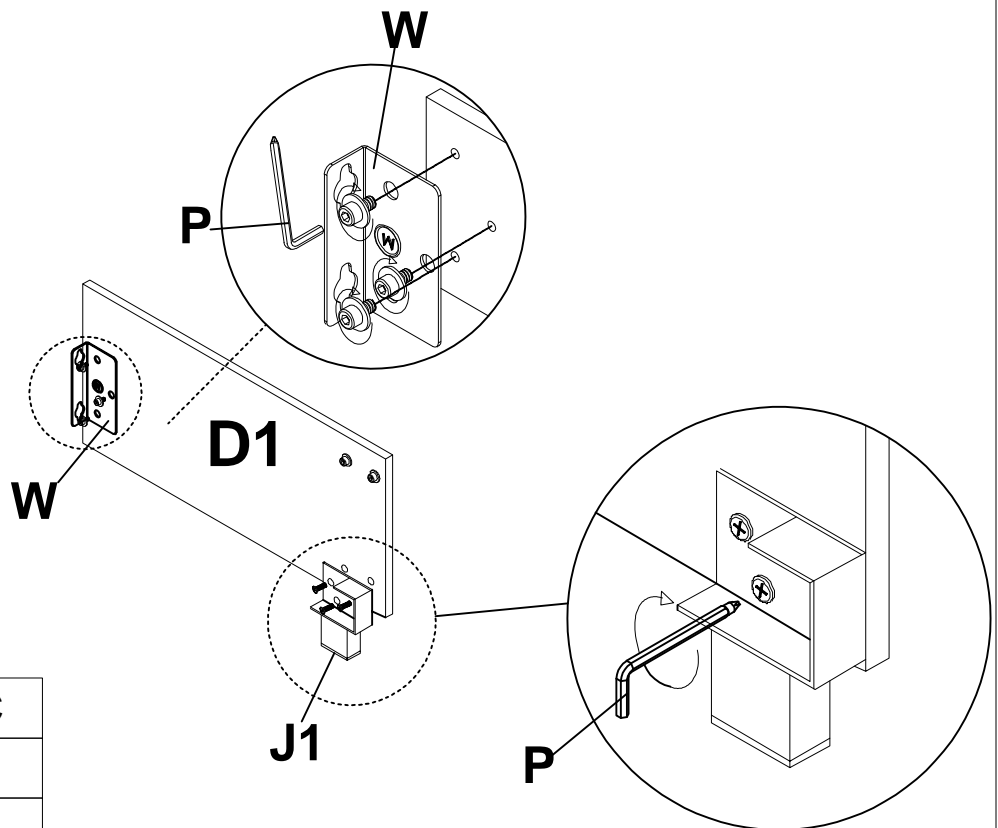
	N x 3PCS
	P1 x 3PCS
	P x 1PC



STEP 9



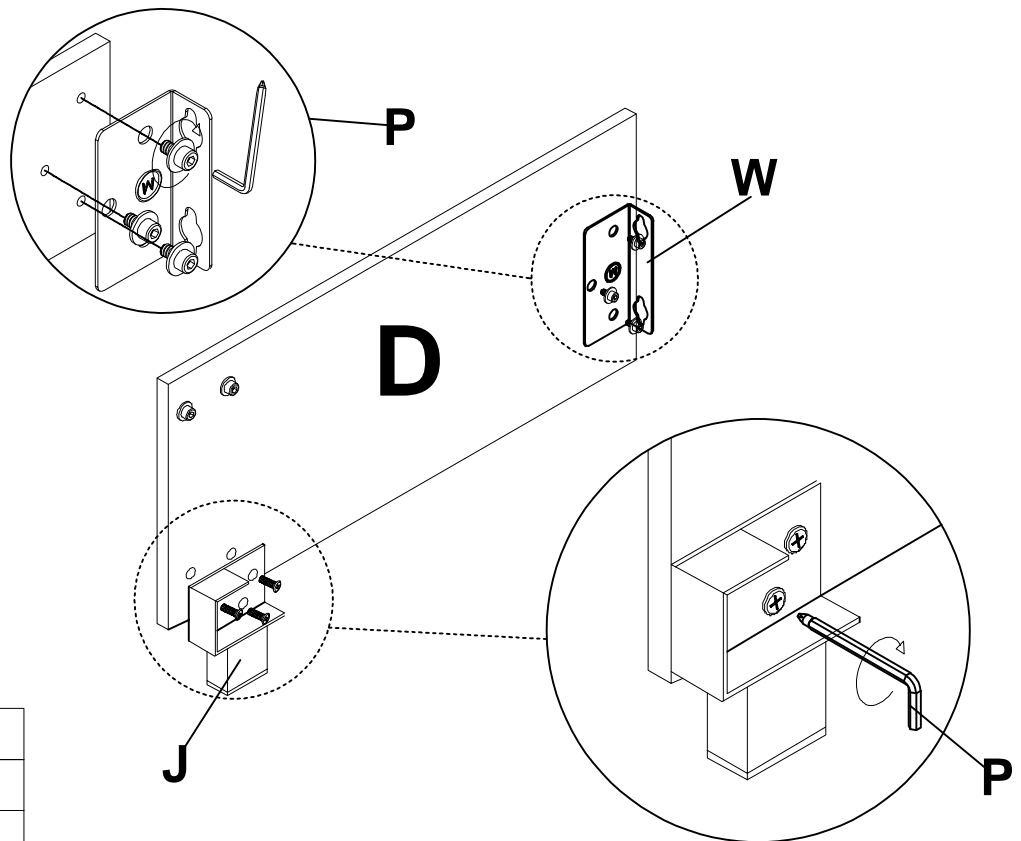
STEP 10 Loosen the screw, align the hole, and then tighten the screw.



	J1 x 1PC
	W x 1PC
	P x 1PC

Assembly Steps(EN) / Montageschritte(DE)

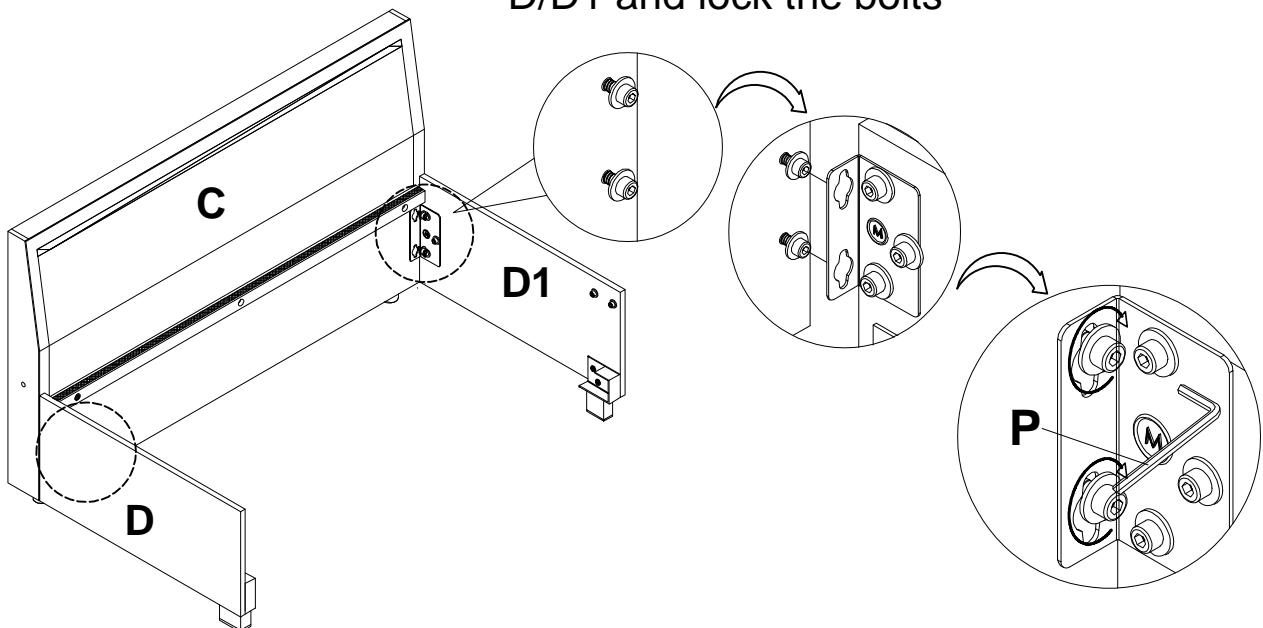
STEP 11 Loosen the screw, align the hole, and then tighten the screw.



	J x 1PC
	W x 1PC
	P x 1PC

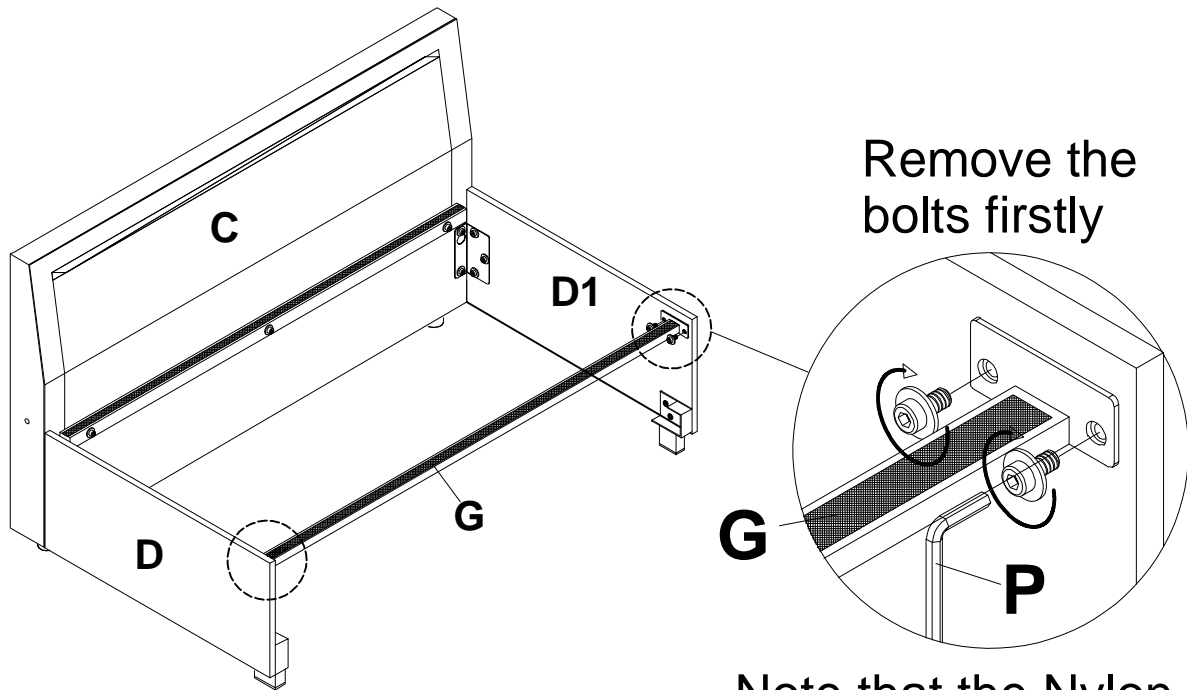
STEP 12

First loosen the bolts, install D/D1 and lock the bolts



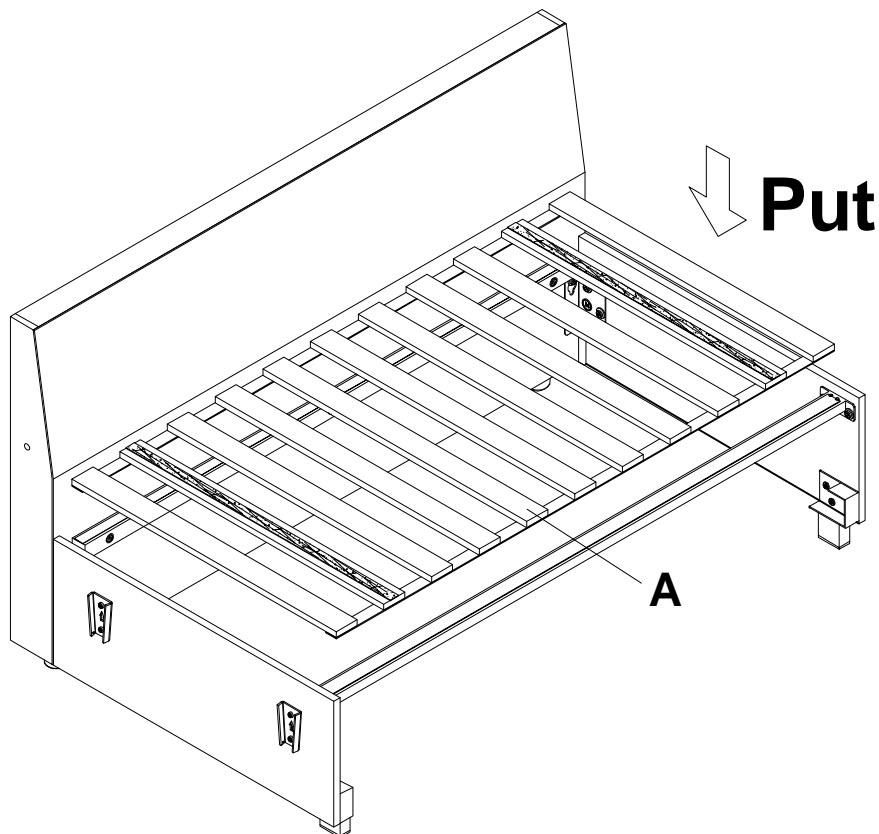
	P x 1PC
--	---------

STEP 13



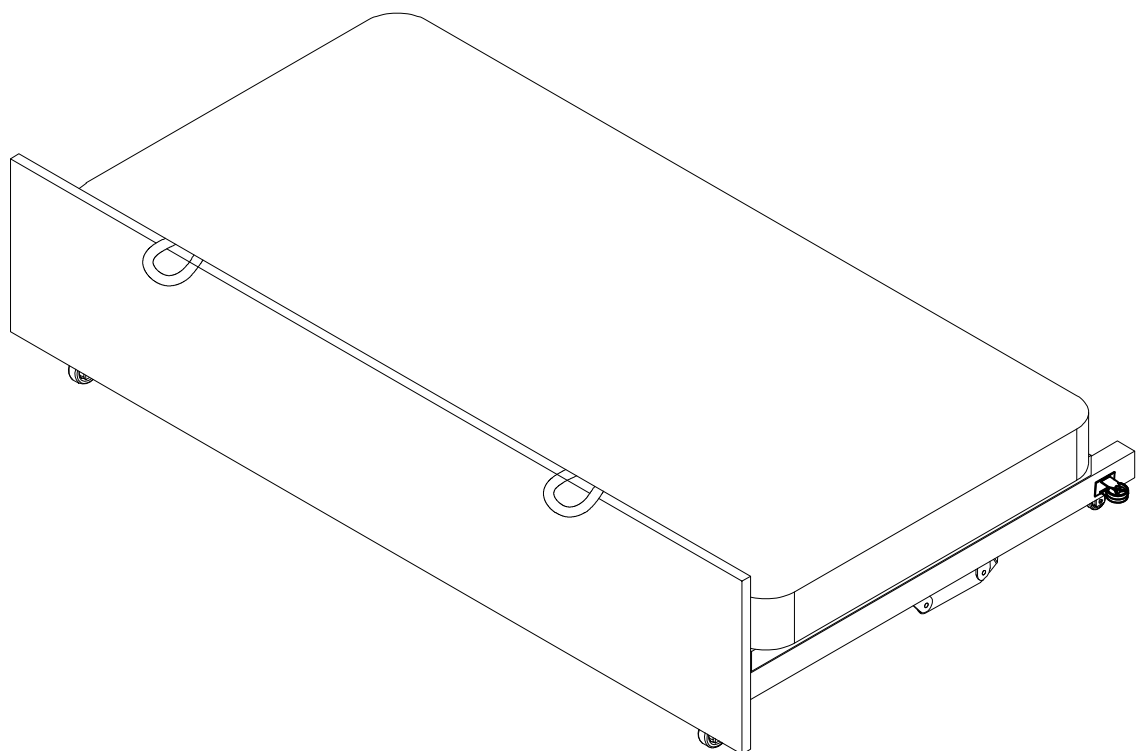
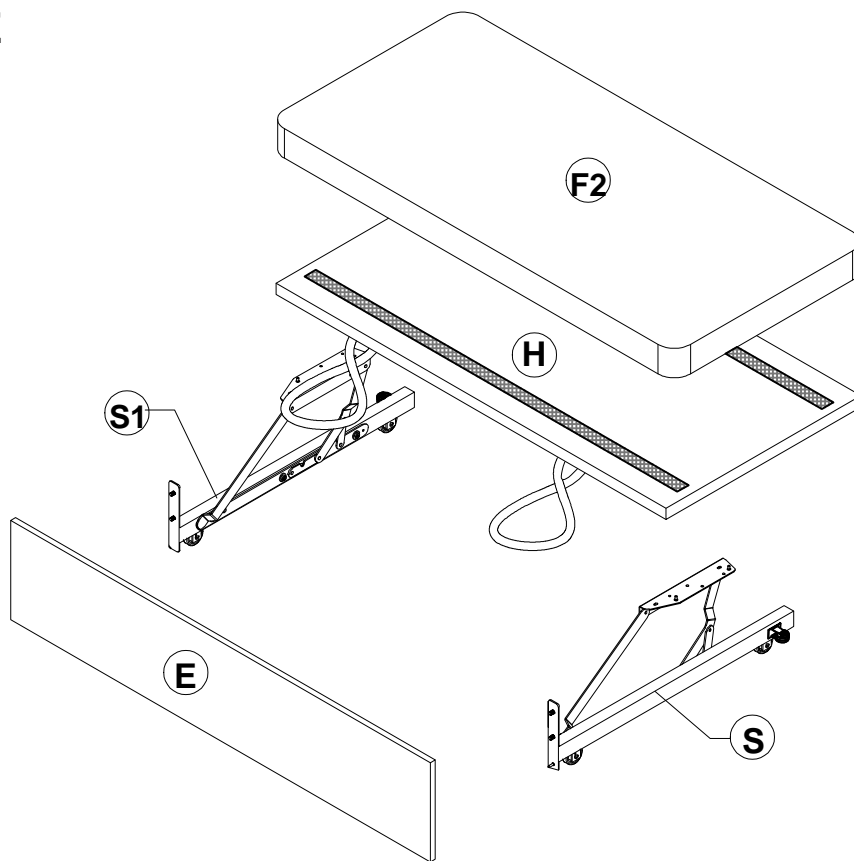
Note that the Nylon Fastener is facing upwards

STEP 14

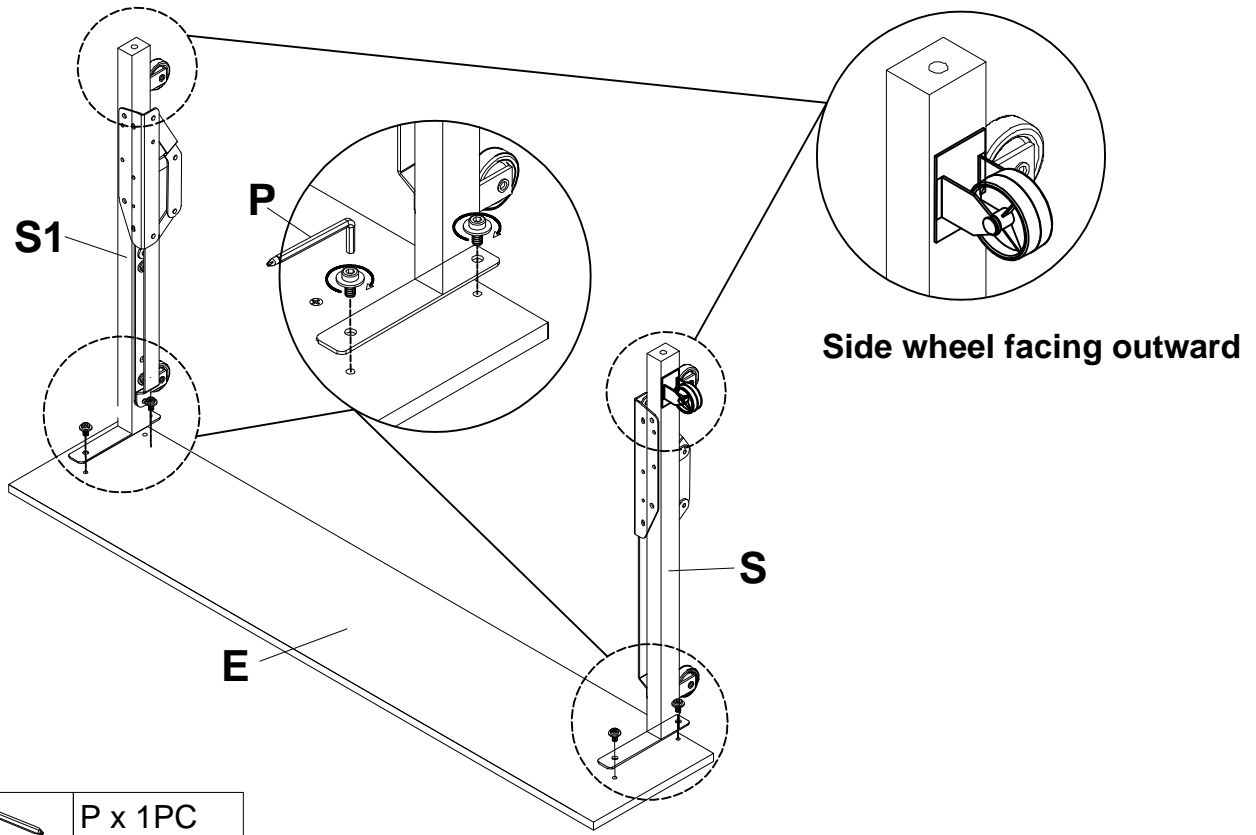


Main Structure Accessories

CHAISE



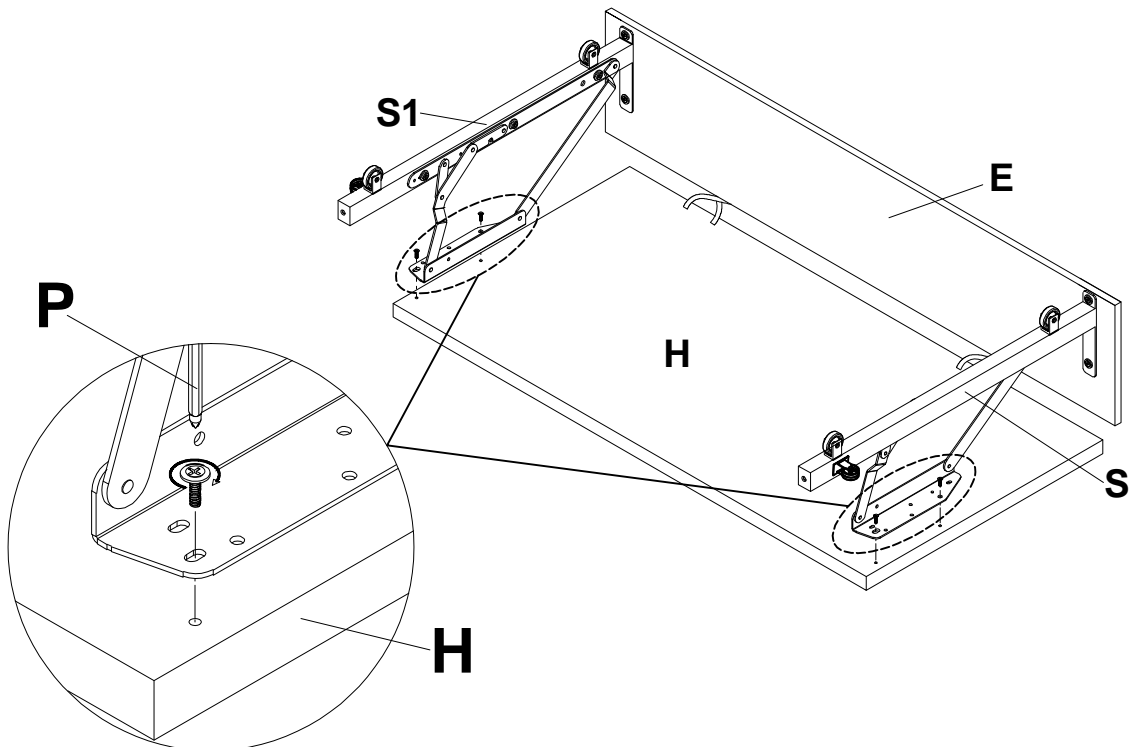
STEP 15



P x 1PC

STEP 16

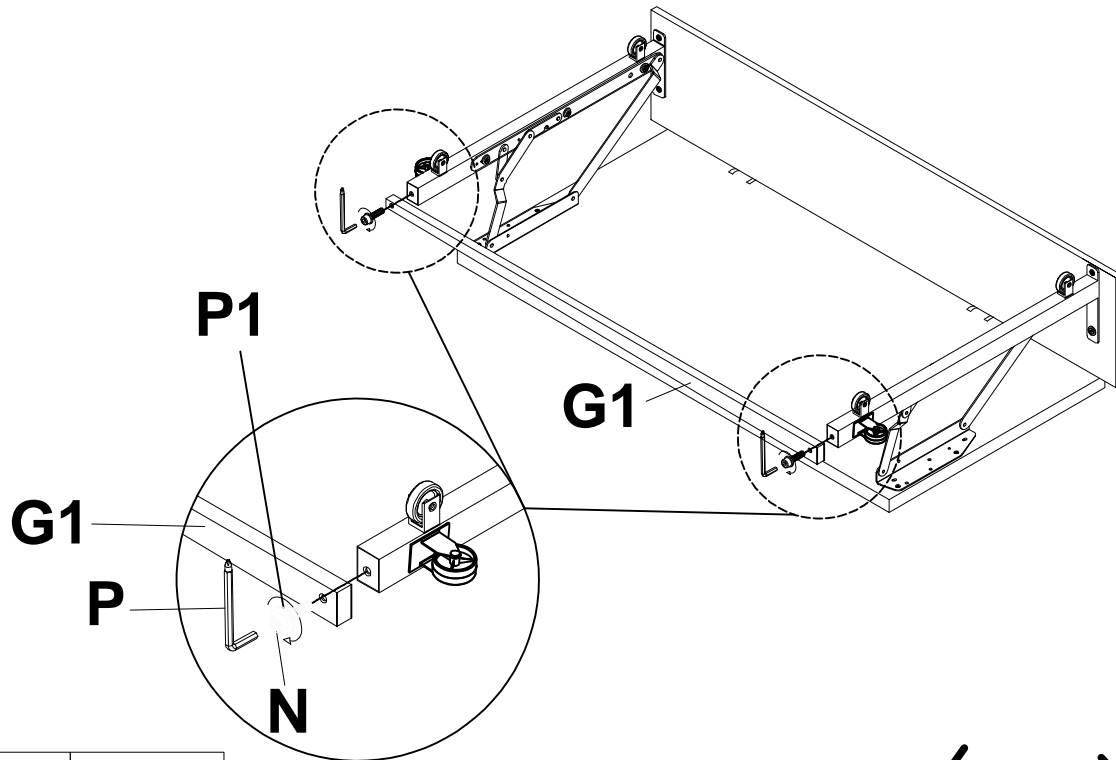
First loosen the bolts, instal S/S1 and lock the bolts






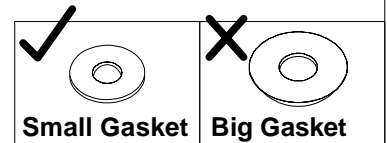
P x 1PC

Assembly Steps(EN) / Montageschritte(DE)

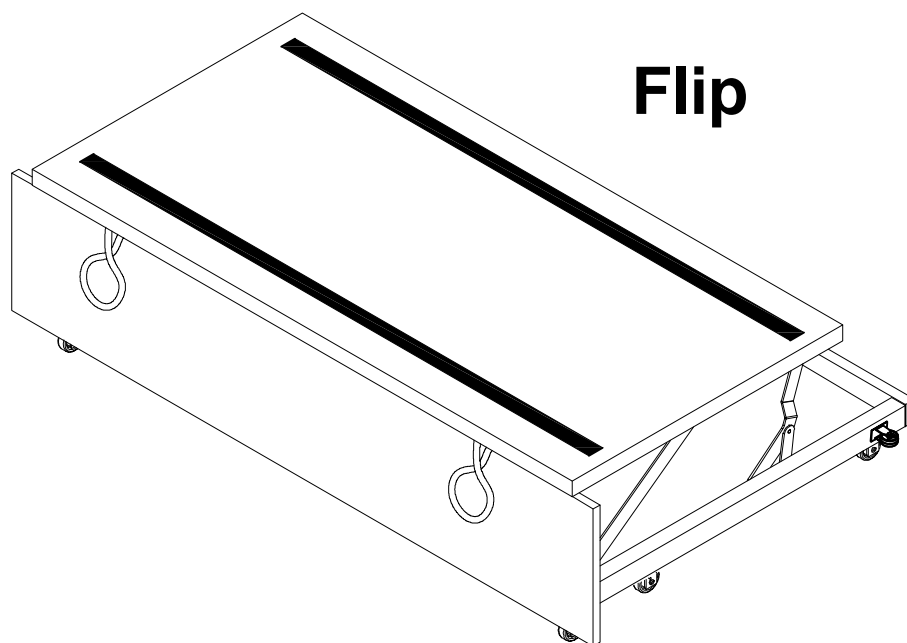
STEP 17



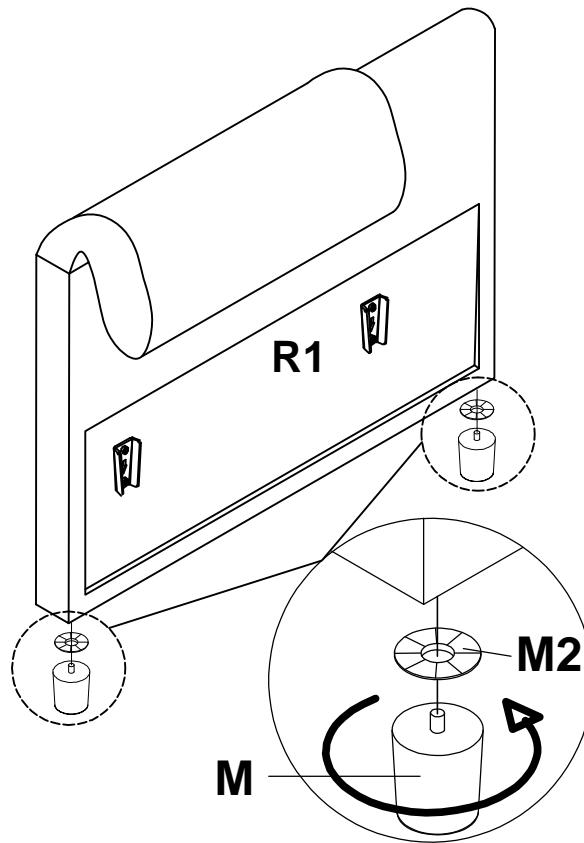
	N x 2PCS
	P1 x 2PCS
	P x 1PC



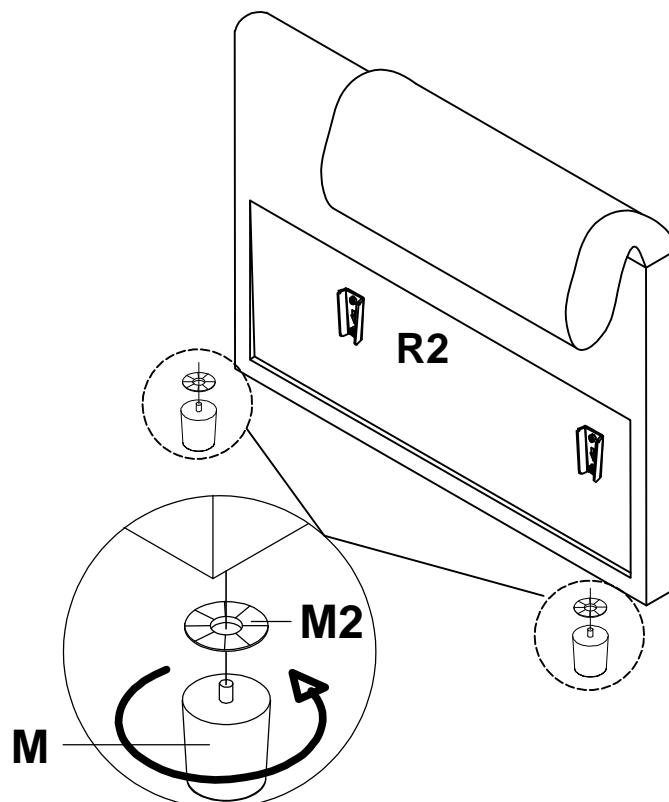
STEP 18



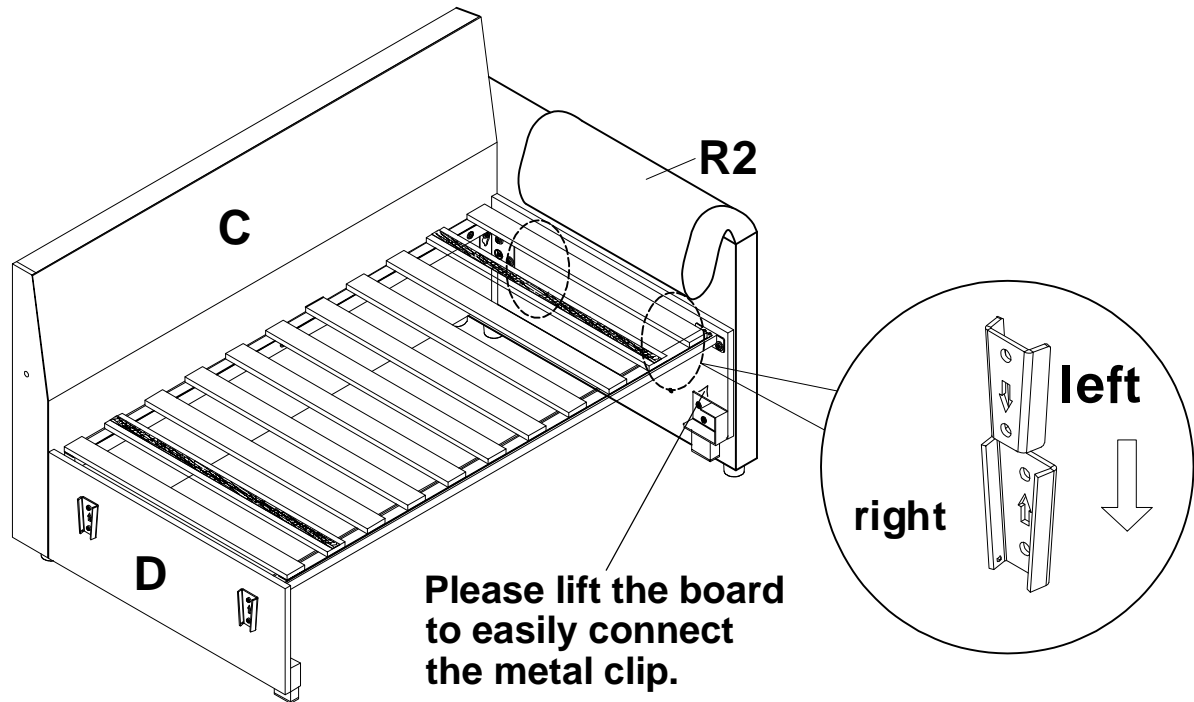
STEP 19



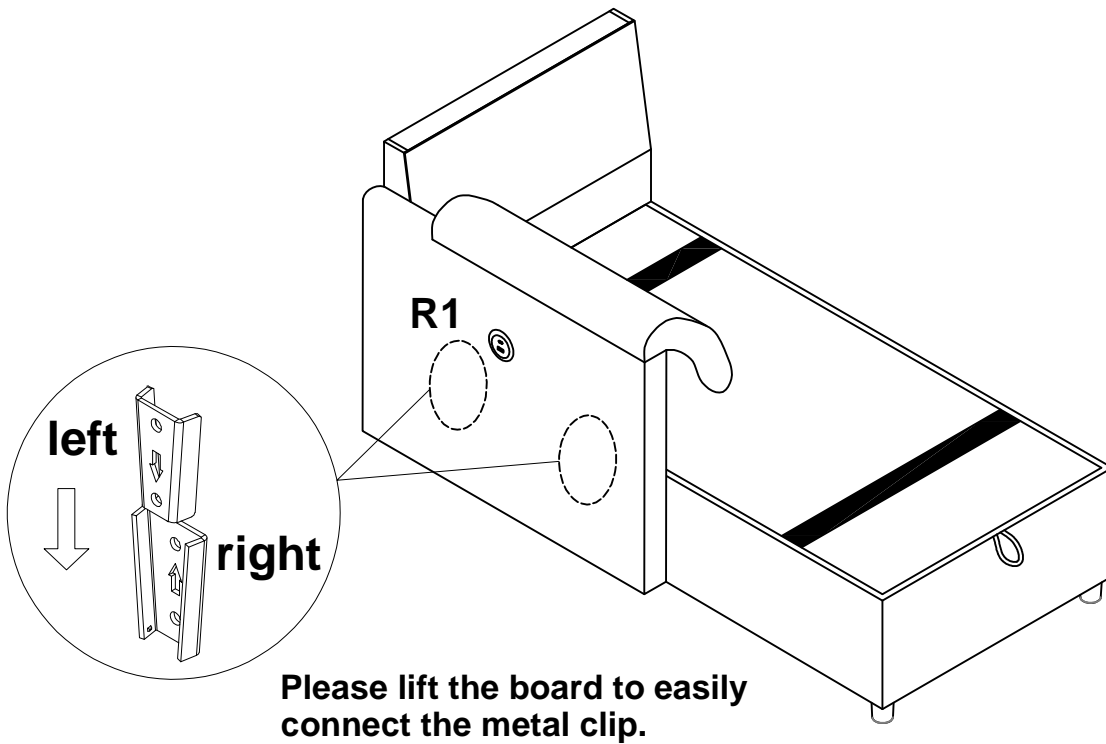
STEP 20



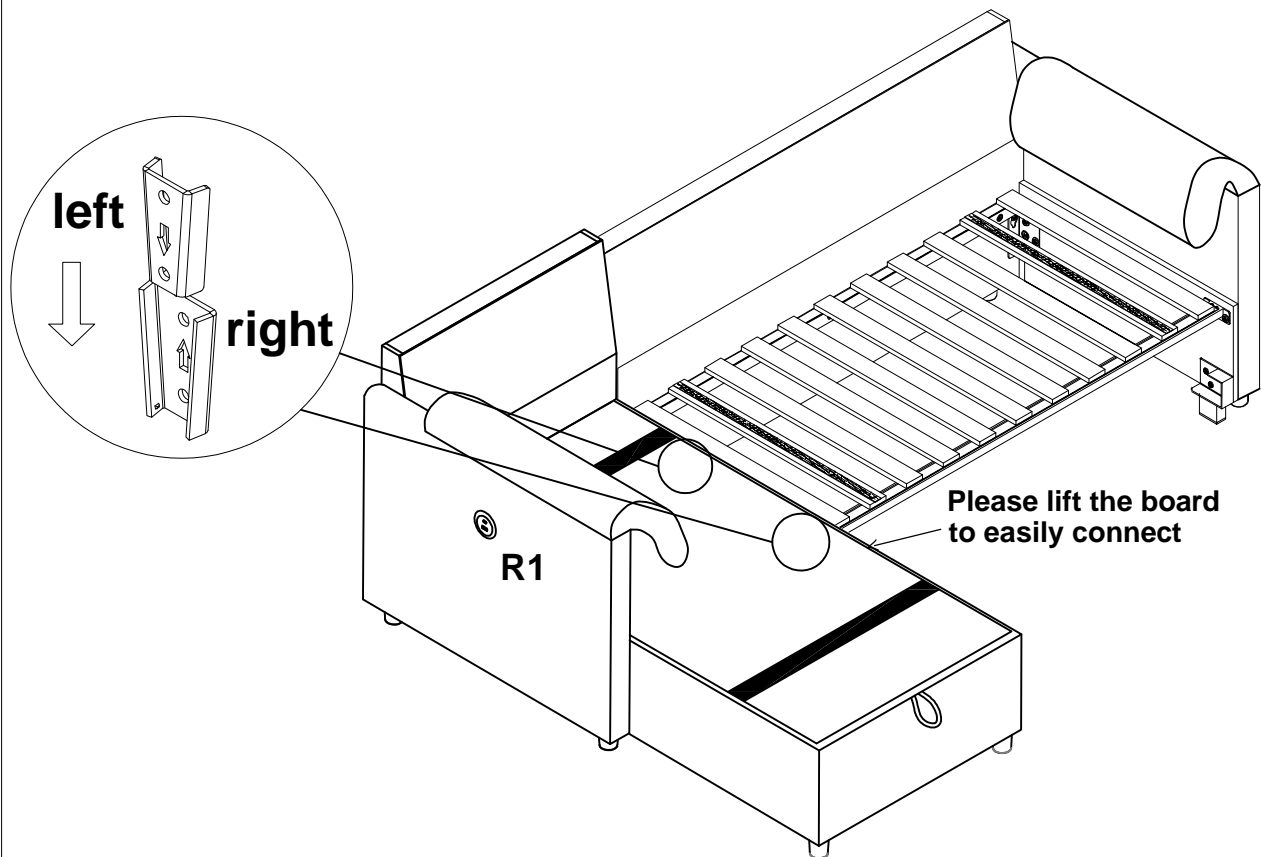
STEP 21



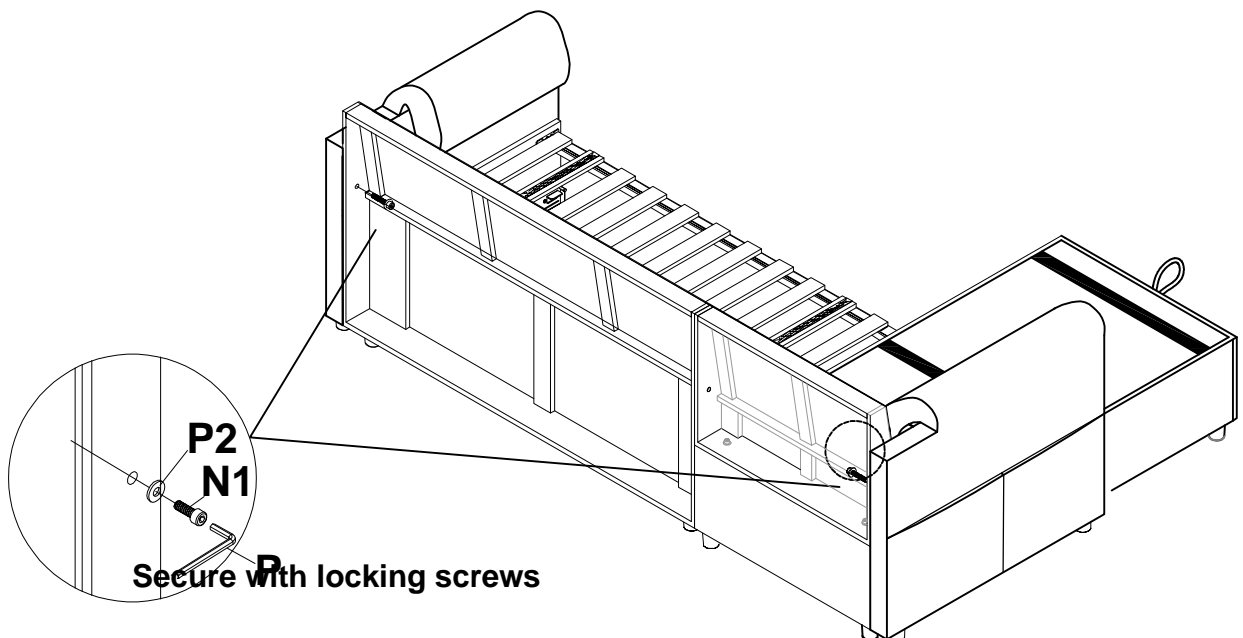
STEP 22






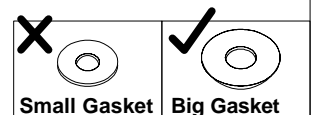
STEP 23



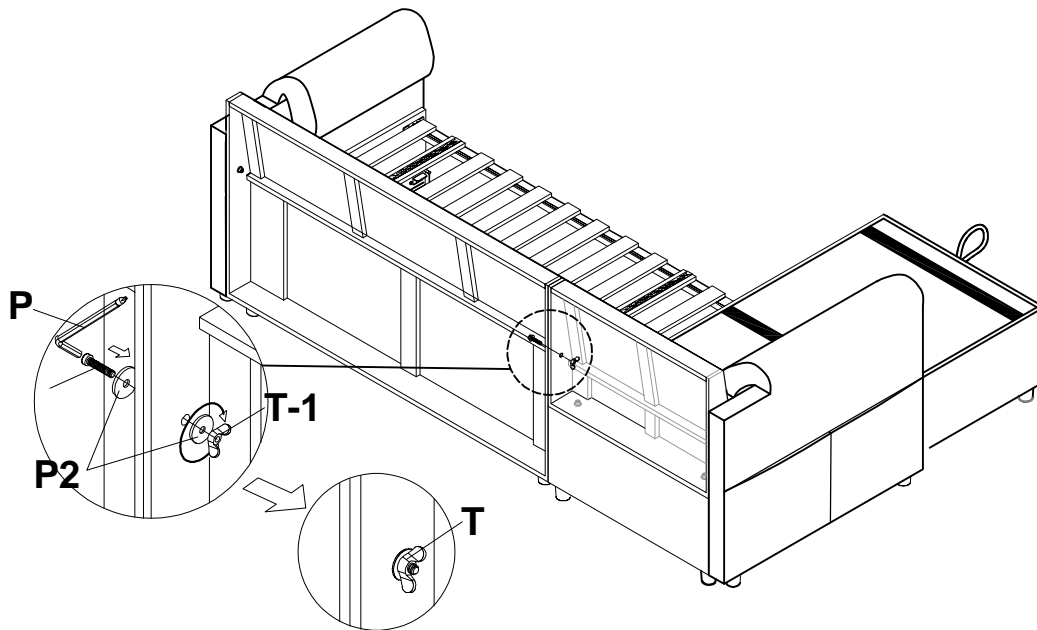
STEP 24



	N1x 2PCS
	P2 x 2PCS
	P x 1PC

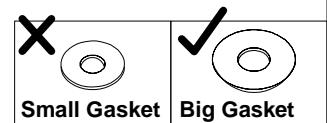


STEP 25



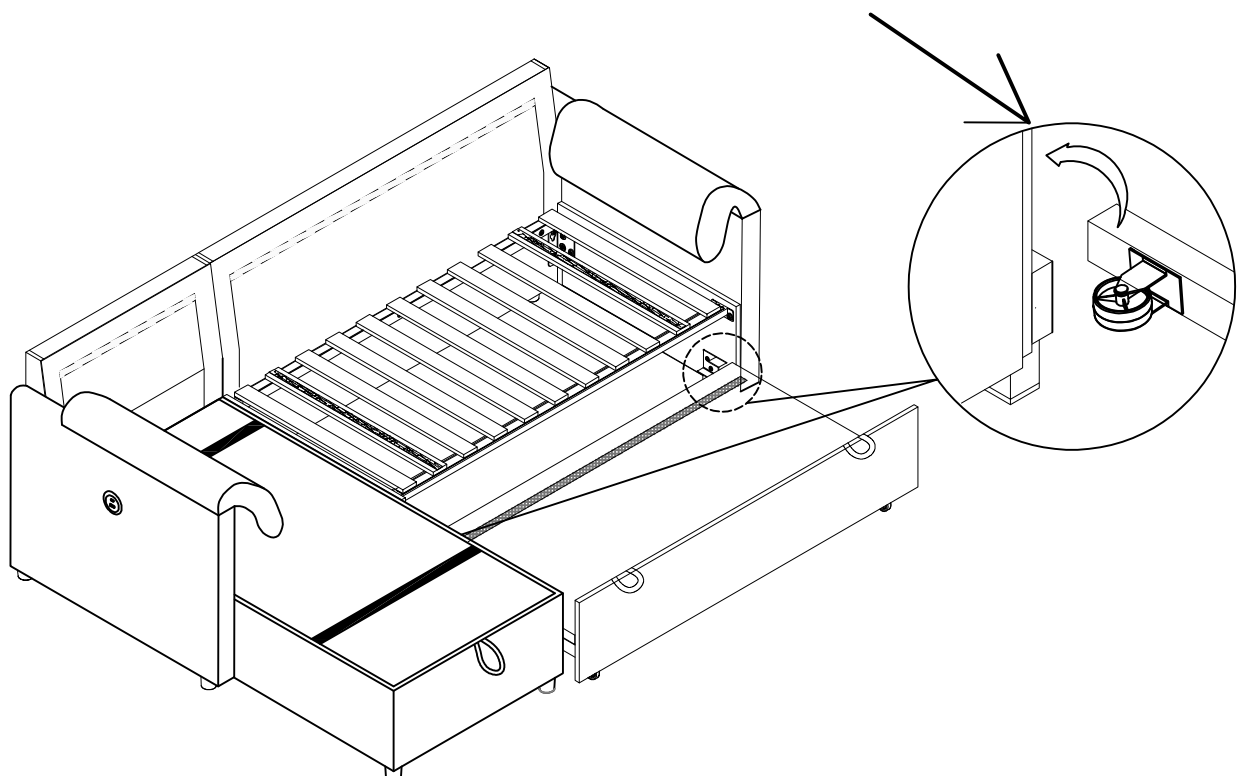
Screw through hole and tighten with butterfly nut.

	T x 1PC
	P2 x 2PCS
	P x 1PC

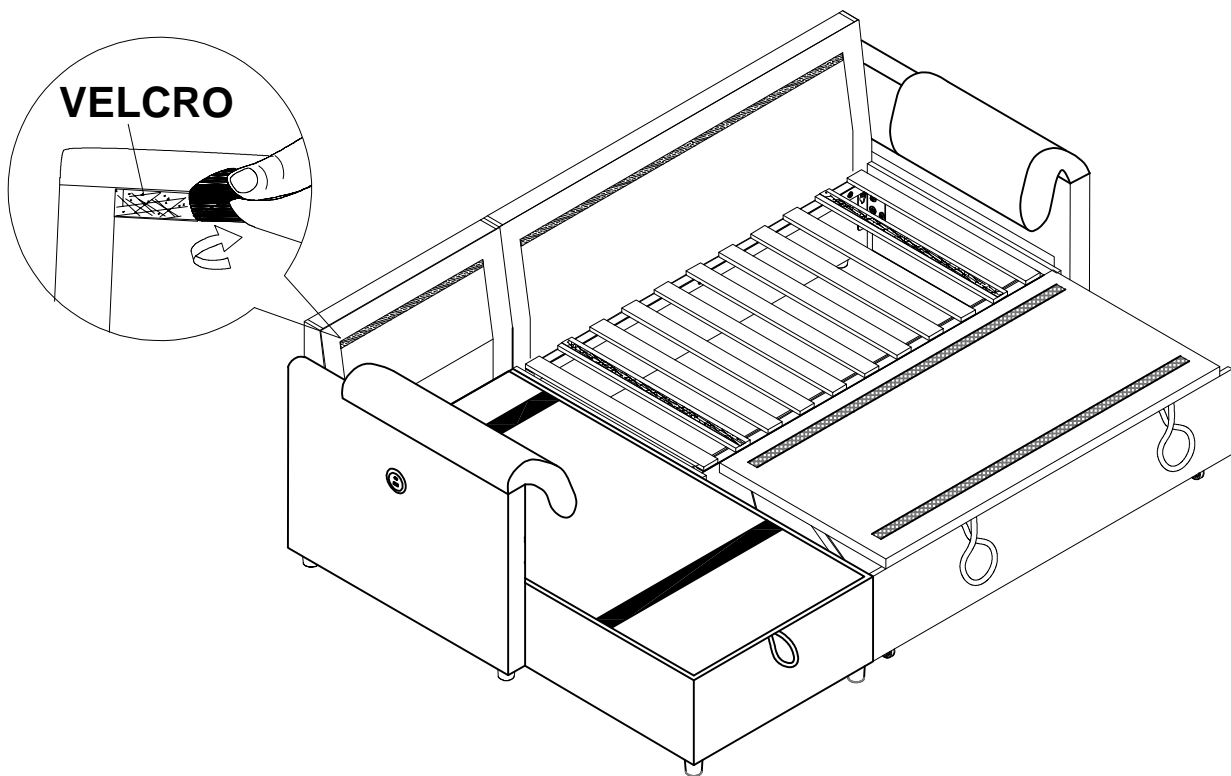


STEP 26

Lift it slightly and place it on the track.

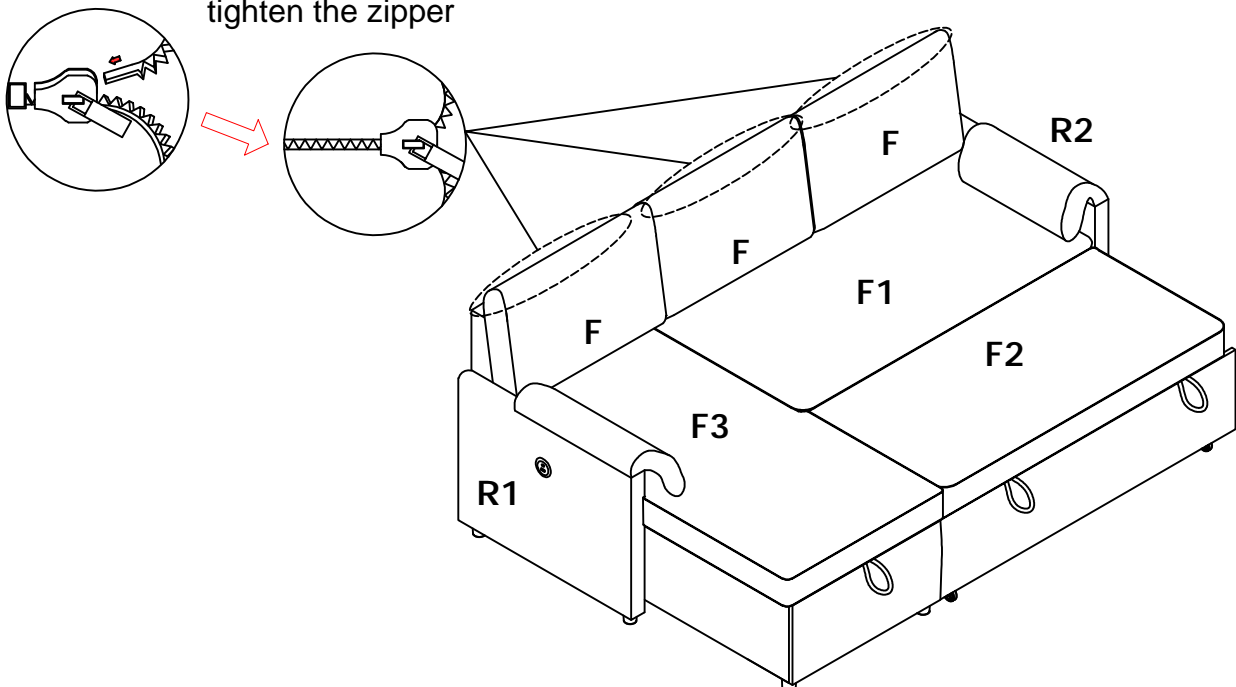


STEP 27

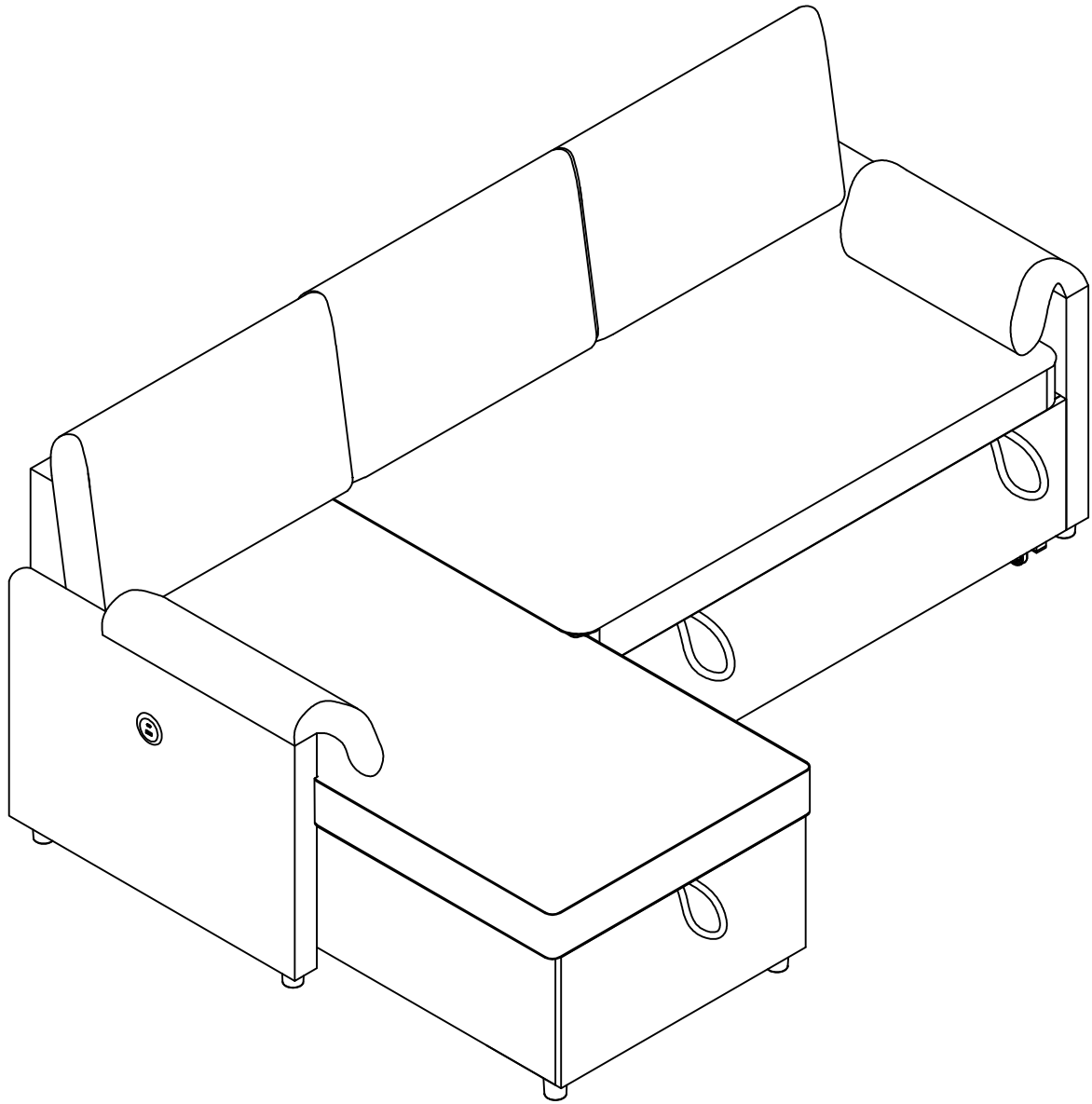


STEP 28

Insert the zipper head and tighten the zipper

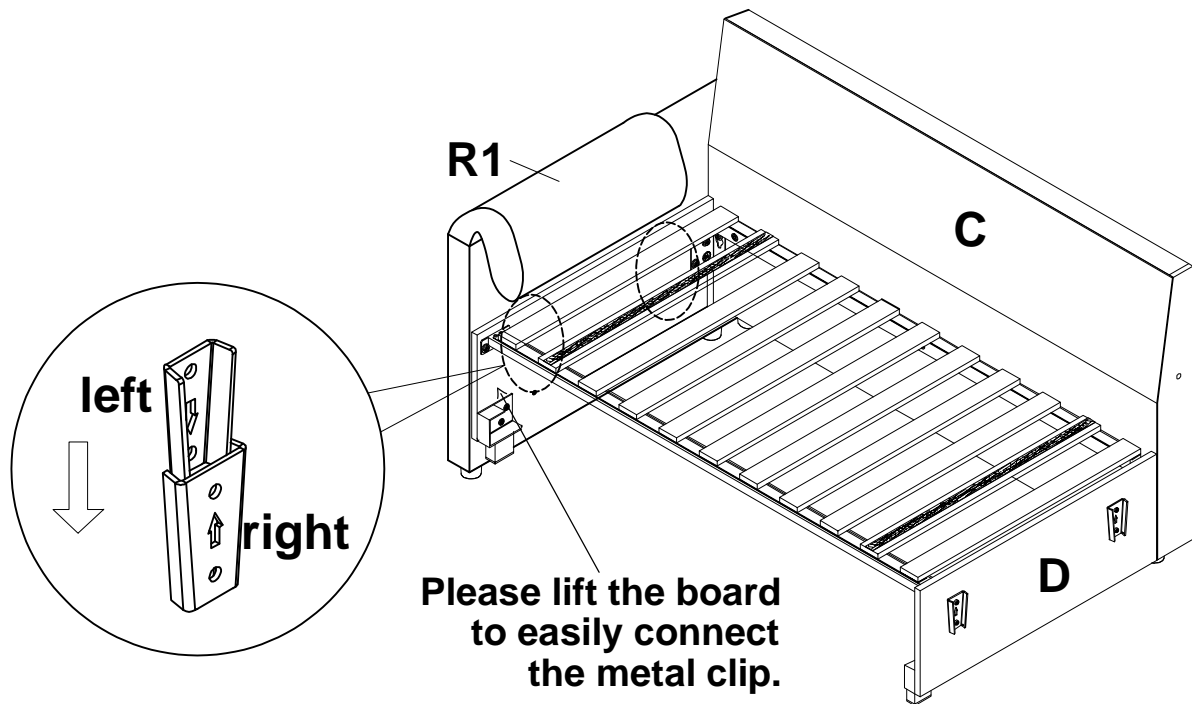


Assembly Steps(EN) / Montageschritte(DE)



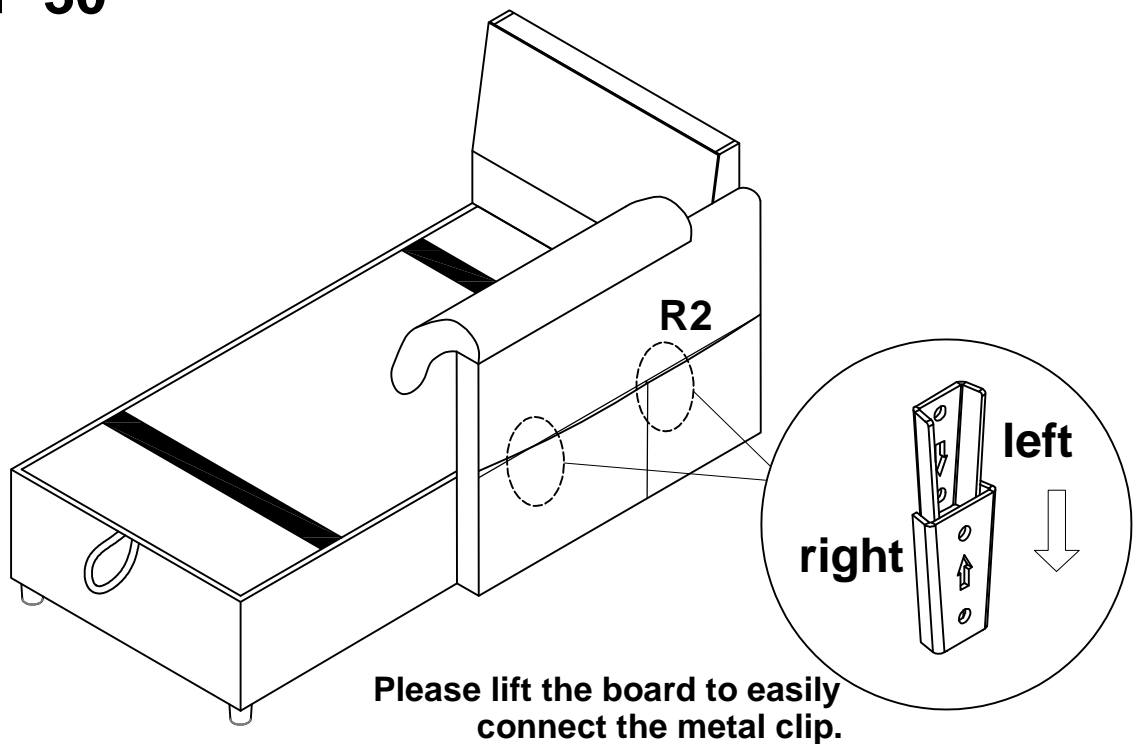
Assembly Option ②

STEP 29



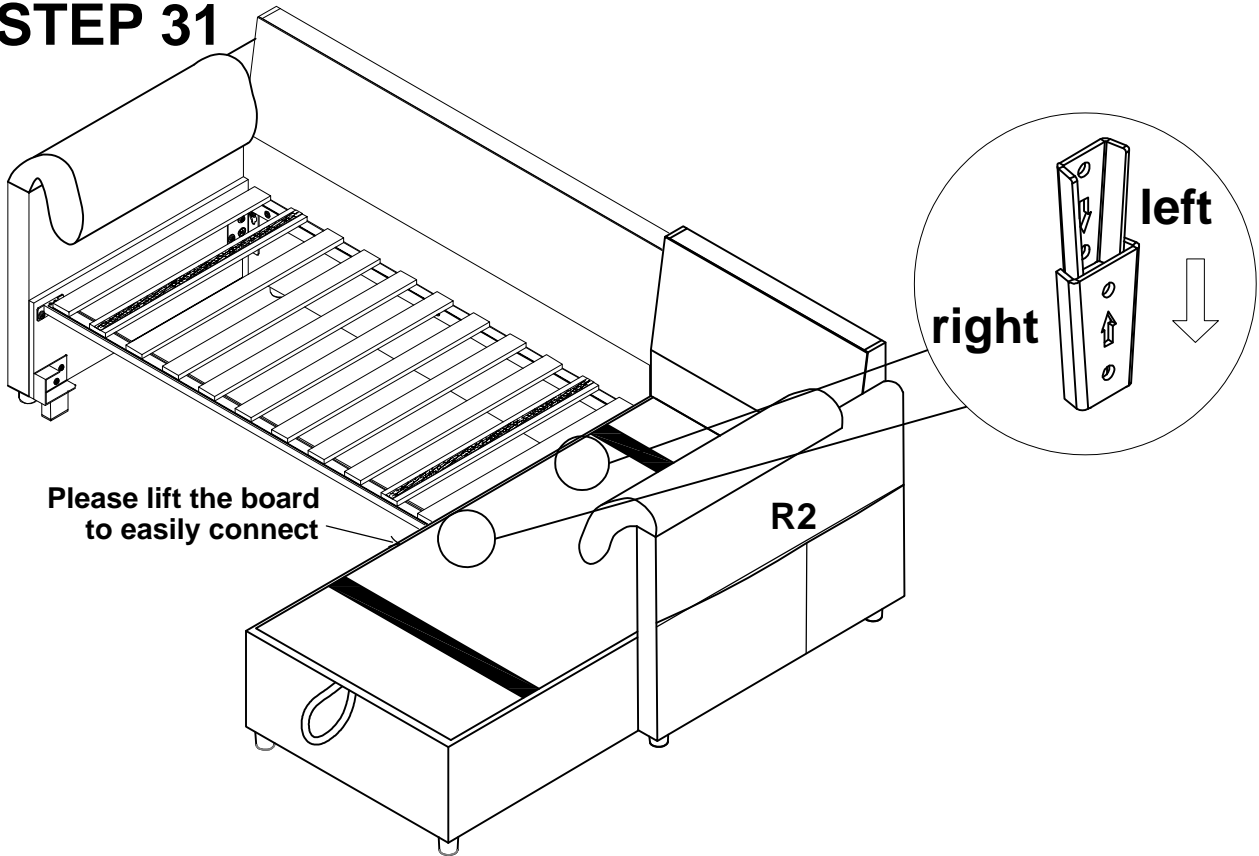
Assembly Option ②

STEP 30



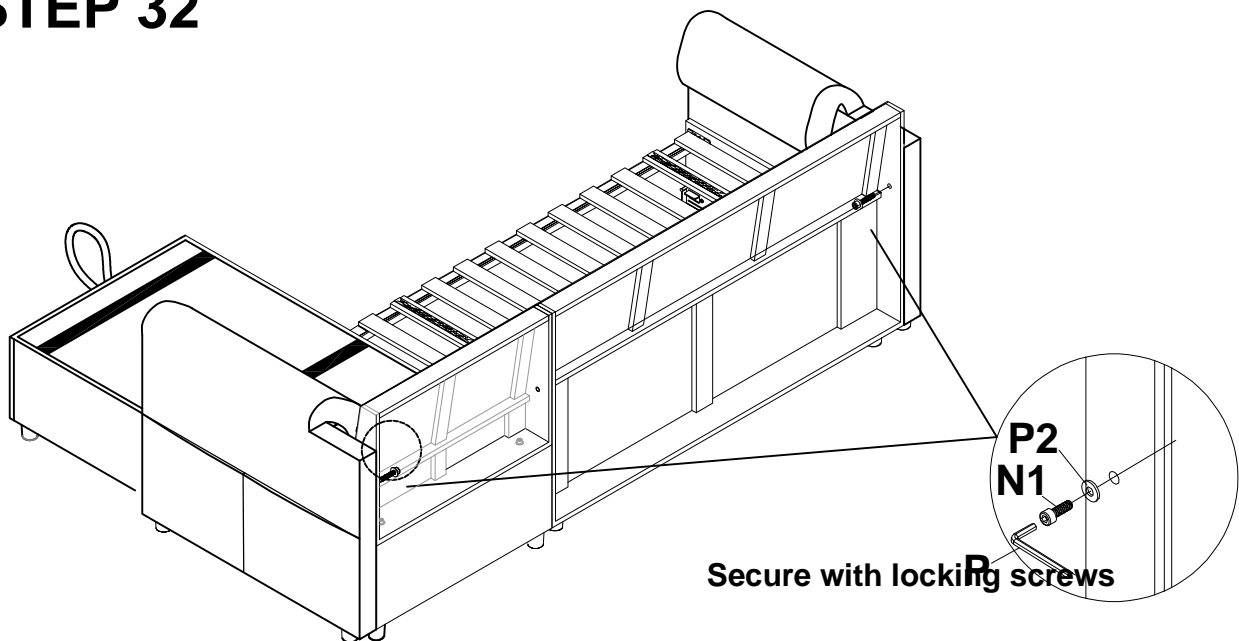
Assembly Option ②




STEP 31

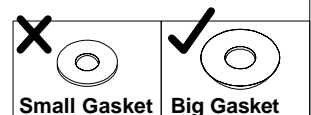


Assembly Option ②

STEP 32

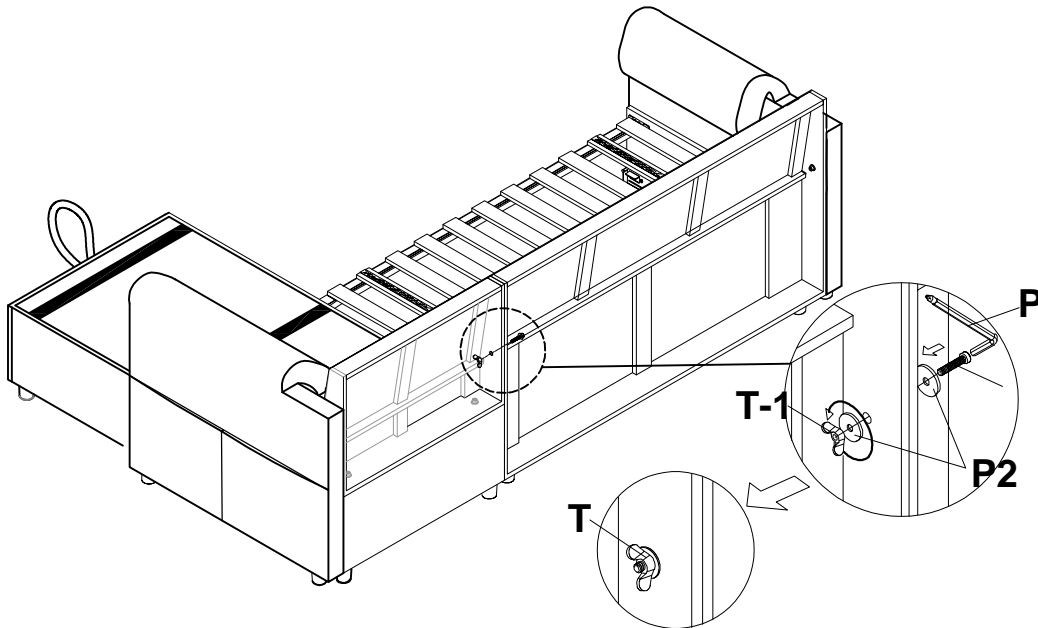


	N1x 2PCS
	P2 x 2PCS
	P x 1PC



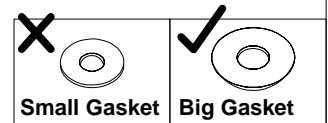
Assembly Option ②

STEP 33



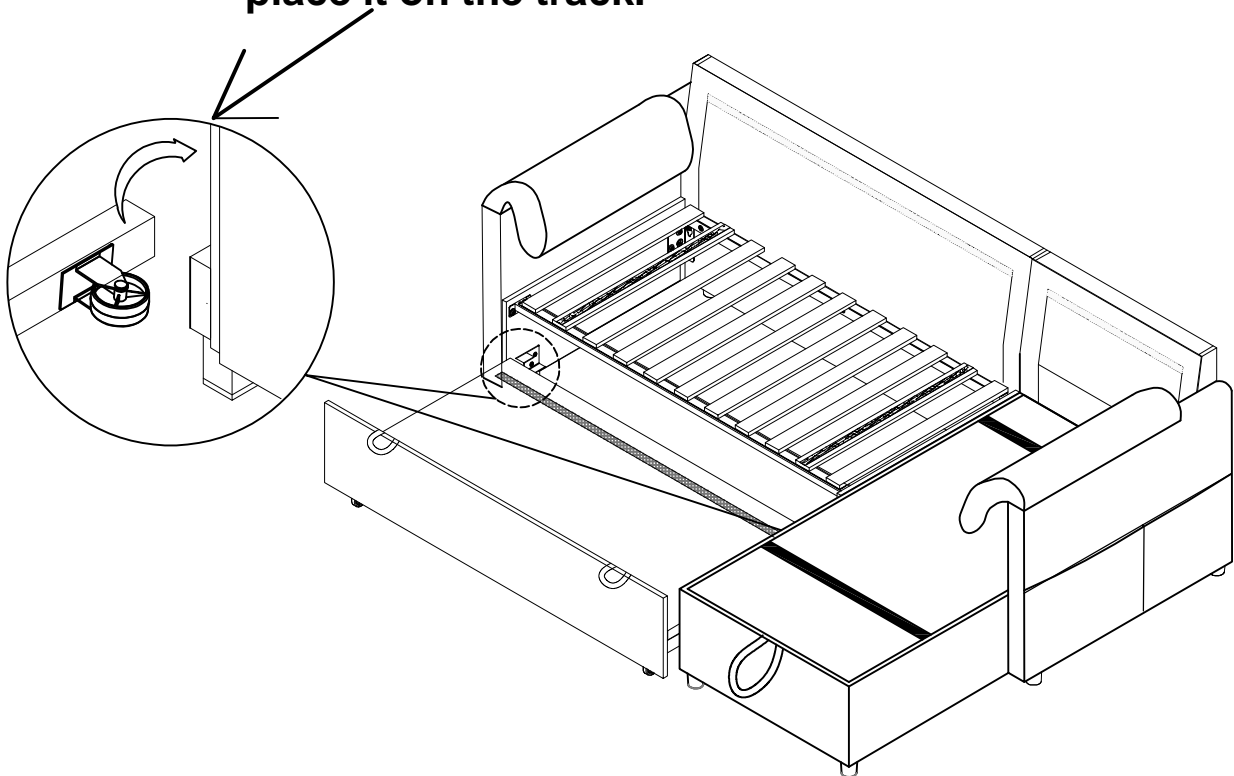
Screw through hole and tighten with butterfly nut.

	T x 1PC
	P2 x 2PCS
	P x 1PC



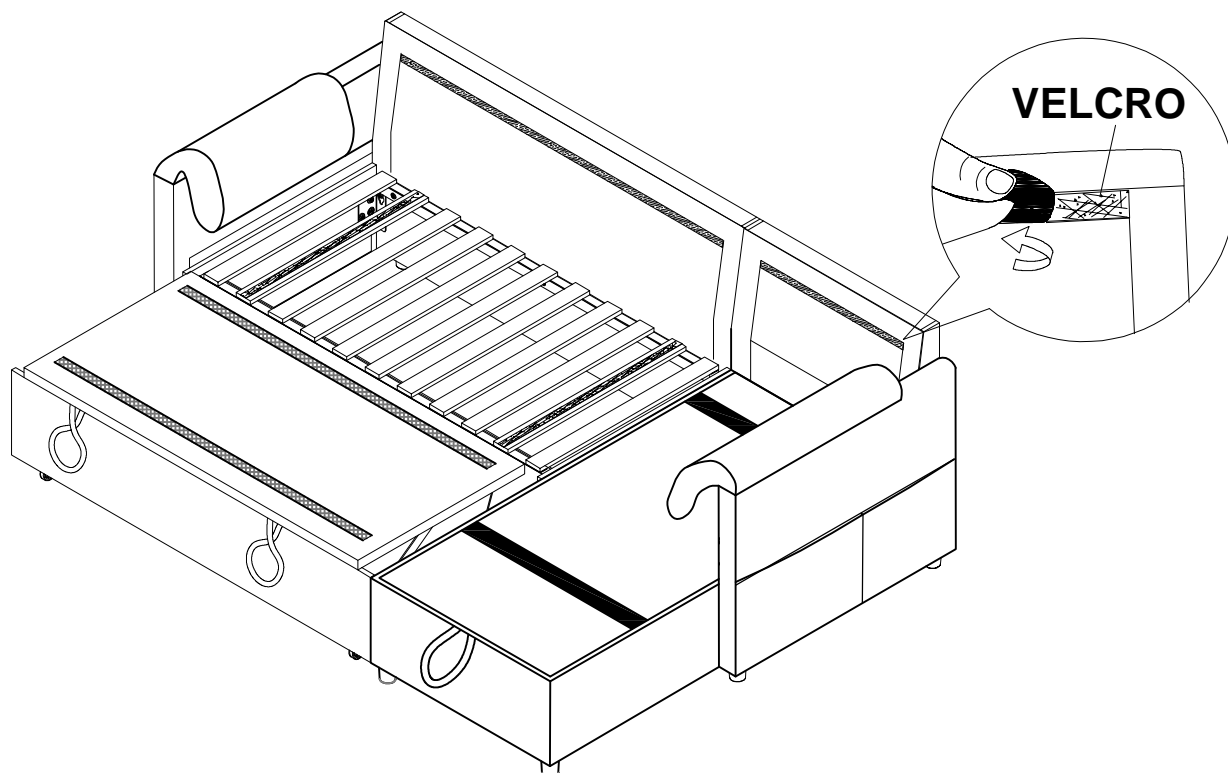
Assembly Option ②

STEP 34 Lift it slightly and place it on the track.



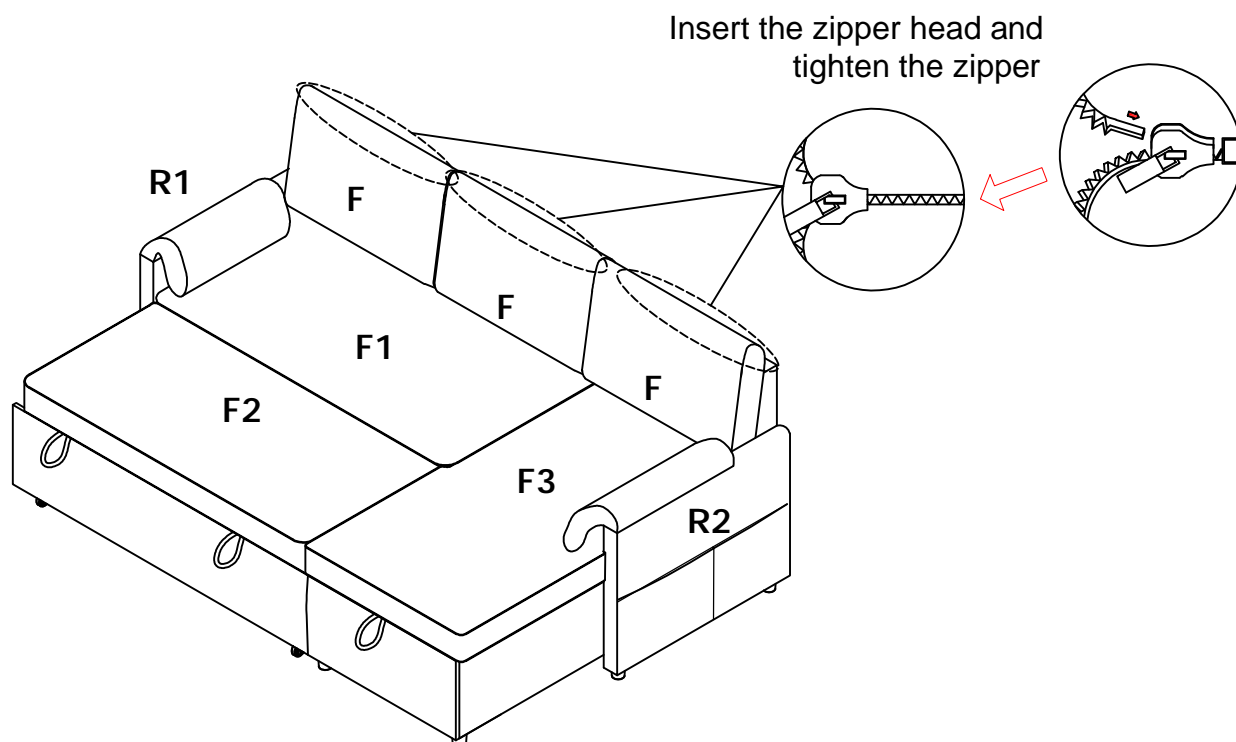
Assembly Option ②

STEP 35



Assembly Option ②

STEP 36



Assembly Option ②

