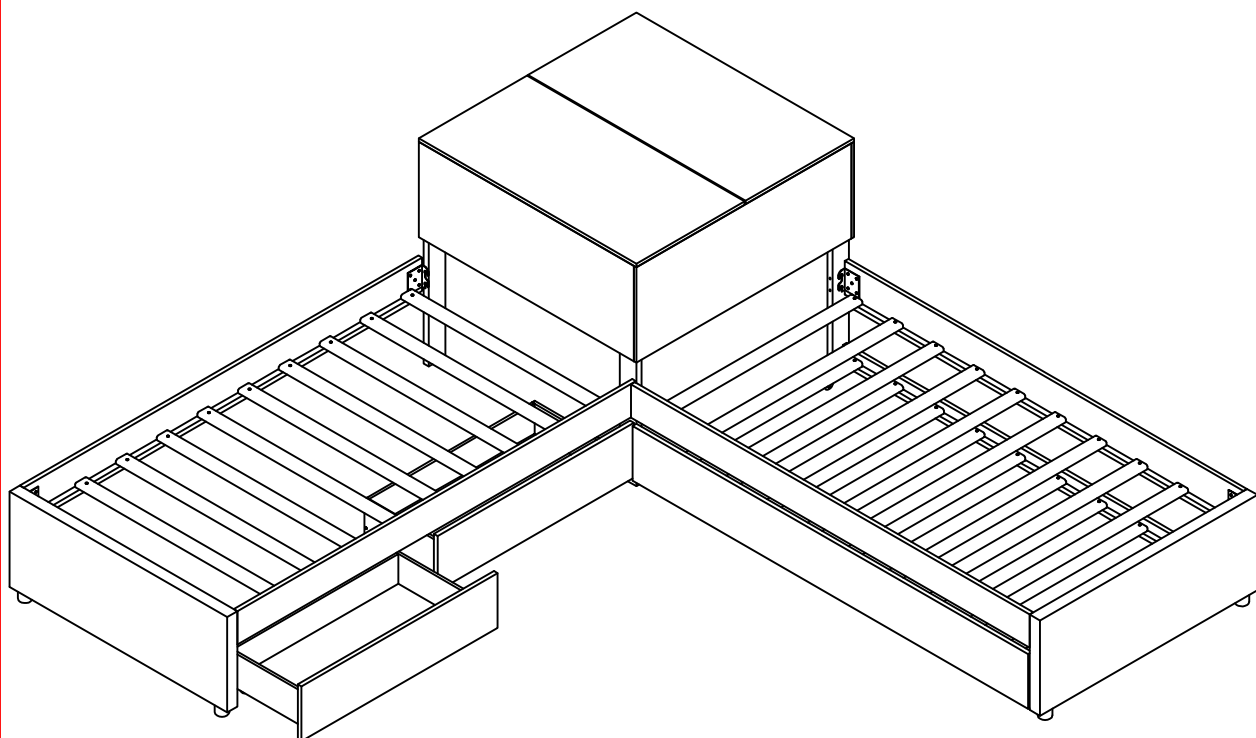
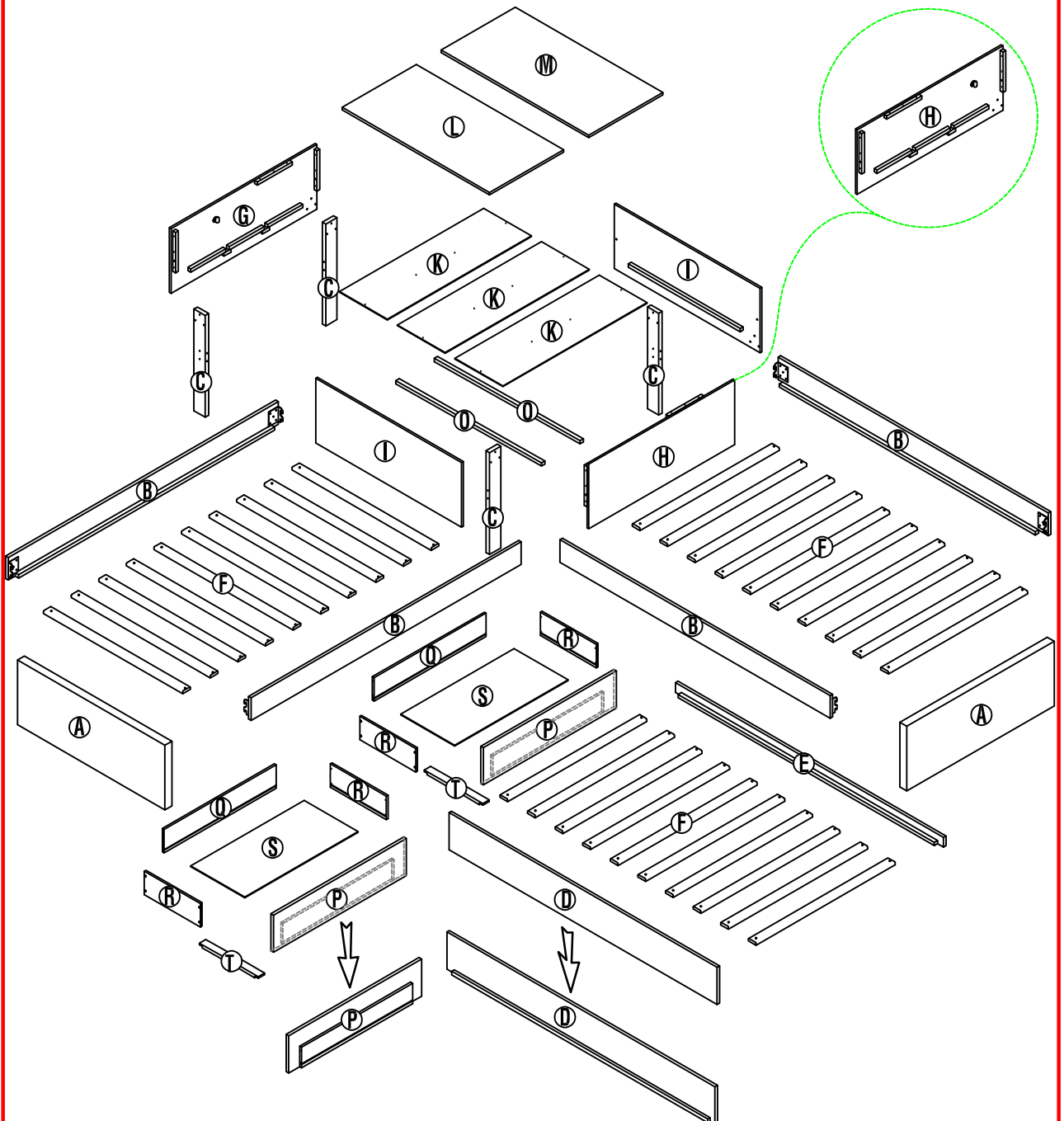


# ASSEMBLY INSTRUCTION

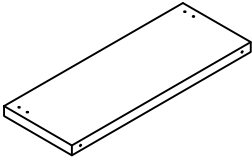


# ASSEMBLY INSTRUCTION



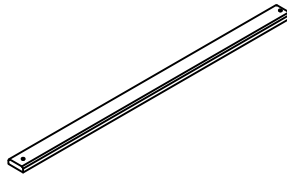
# Part List (WF293964)

**A**



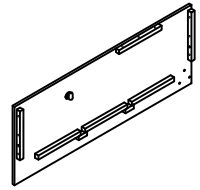
FB Frames - 2pcs

**F**



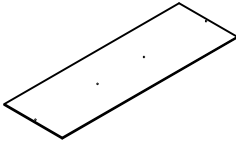
Slats - 30pcs

**G**



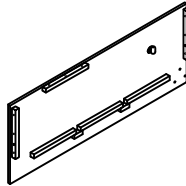
Wall Box - 1pc

**K**



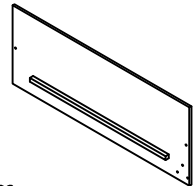
Box - Bottom Panels - 3pcs

**H**



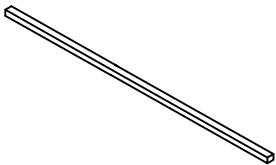
Wall Box - 1pc

**I**



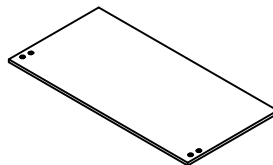
Wall Box - 2pcs

**O**



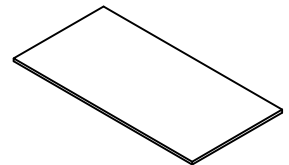
Box - Bottom Support Bar - 2pcs

**L**



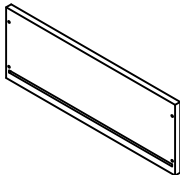
Box - Door - 1pc

**M**



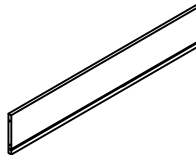
Box - Fixed Door - 1pc

**R**



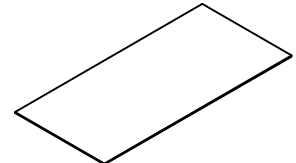
Drawers - Side Panel - 4pcs

**Q**



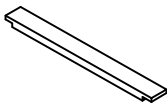
Drawers - Back Panel - 2pcs

**S**



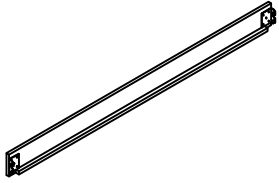

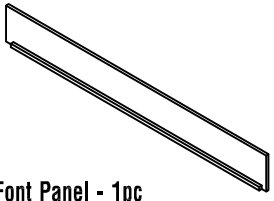
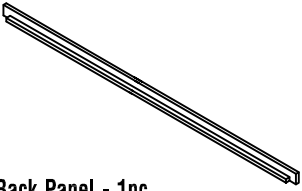
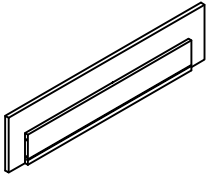
Drawers - Bottom Panels - 2pcs

**T**


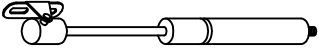



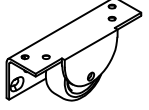

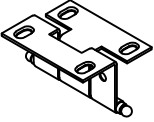






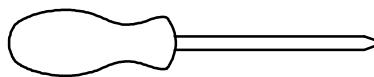
Drawers - Support Bottom - 2pcs

# Part List (WF293965)

<b>B</b>  Side Rails - 4pcs	<b>C</b>  Legs Box - 4pcs	<b>D</b>  Trundle Front Panel - 1pc
<b>E</b>  Trundle Back Panel - 1pc	<b>P</b>  Drawers - Front Panel - 2pcs	

# Hardware List (WF293965)

<p>1</p>  <p>Plastic Feet(50x40) 4pcs</p>	<p>2</p>  <p>Piston(Left+right) 2pcs</p>	<p>3</p>  <p>M4 x 15 mm Wood Screws 62pcs</p>
<p>4</p>  <p>M4 x 30 mm Wood Screws 76pcs</p>	<p>5</p>  <p>M4 x 35 mm Wood Screws 18pcs</p>	<p>6</p>  <p>Wheels 12pcs</p>
<p>7</p>  <p>Steel Bracket - 3pcs</p>	<p>8</p>  <p>Hinge - 2pcs</p>	<p>9</p>  <p>Allen Key 1pc</p>
<p>10</p>  <p>1/4" x 25 mm Hex-Head bolts 16pcs</p>	<p>11</p>  <p>1/4" x 40 mm Hex-Head bolts 9pcs</p>	<p>12</p>  <p>Ø8x30 mm Wood Dowel 3pcs</p>




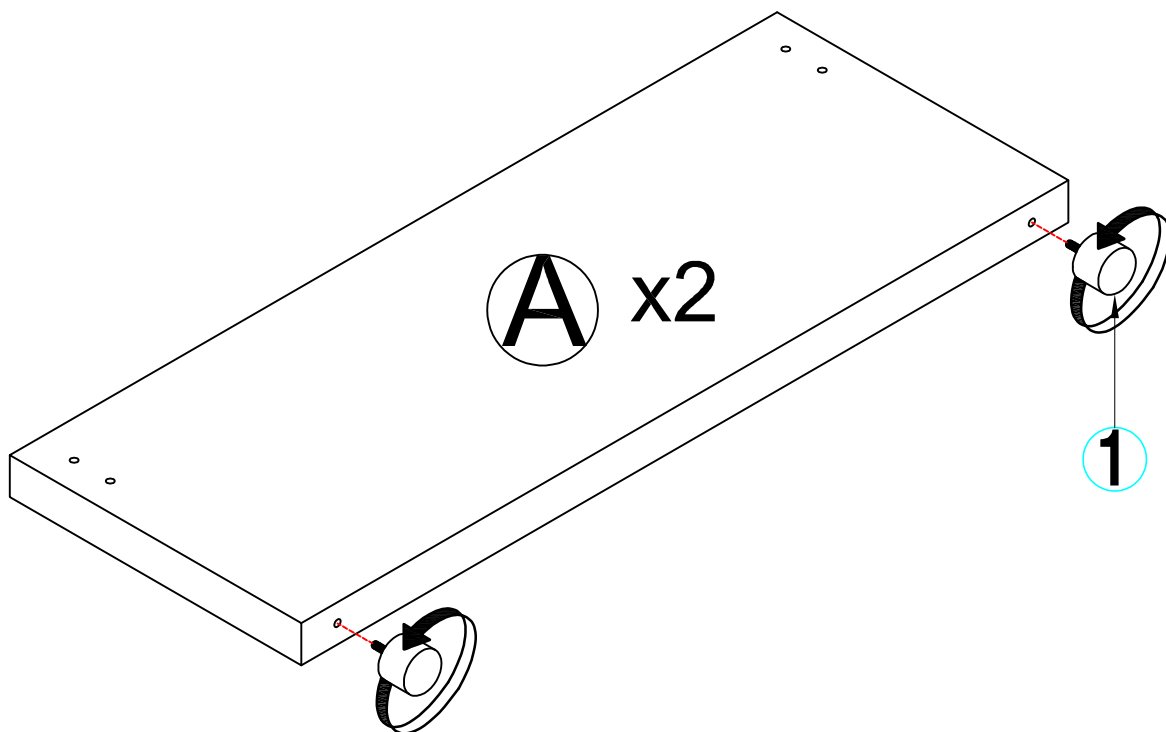
Assembly Tools Required (Not Included)

# STEP 1:

Following below illustration:

Assembly Plastic Feet #1 With A(x2) FB Frames

1	
4pcs	

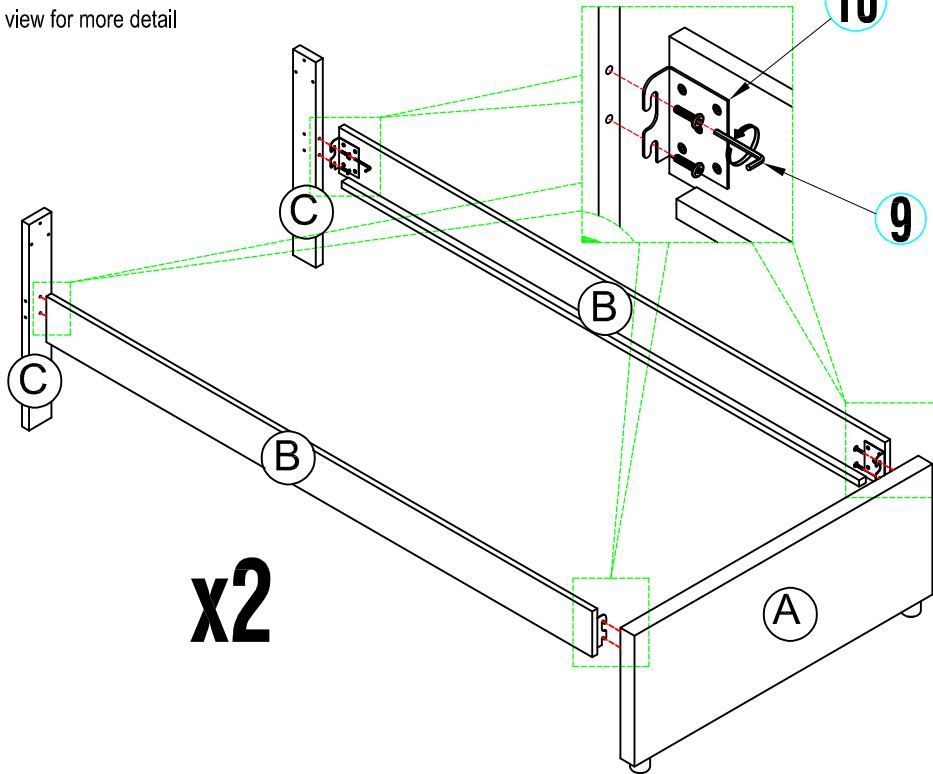


# STEP 2-1:

Following below illustration:

-Using hardward #10 to Assembly Frames(Completed on step 1) with siderail B(x2) and Leg Box C(x2)

-Look at detail view for more detail



10



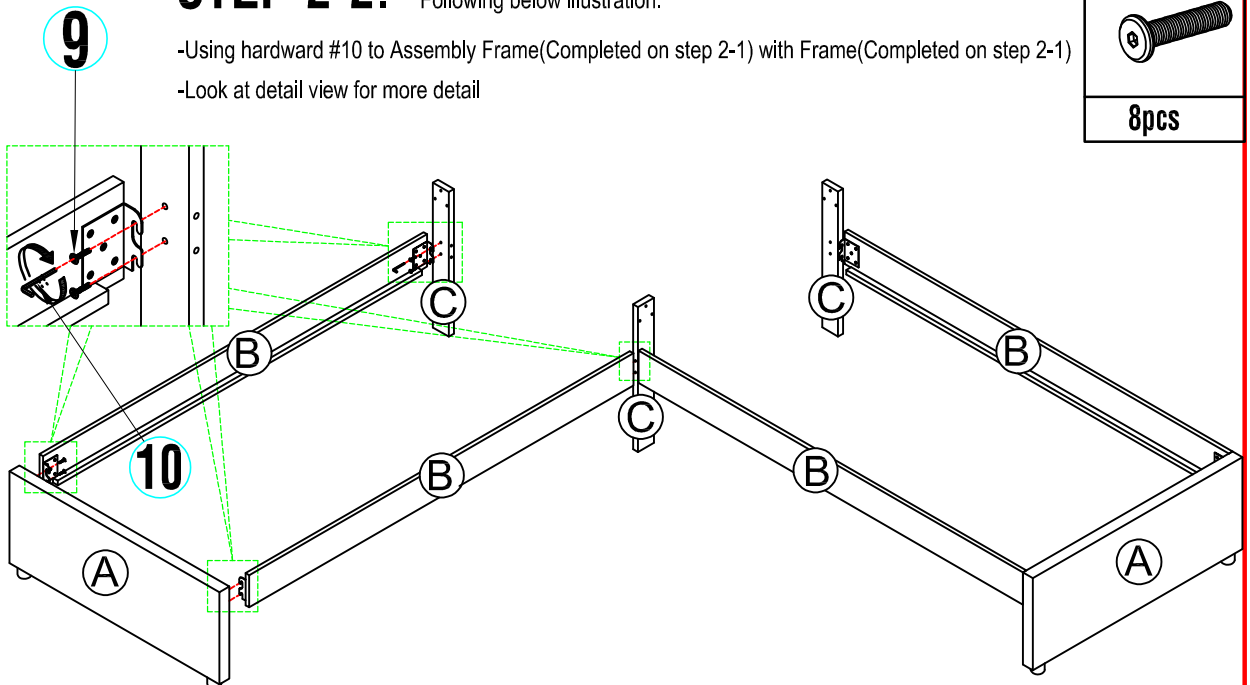
8pcs

# STEP 2-2:

Following below illustration:

-Using hardward #10 to Assembly Frame(Completed on step 2-1) with Frame(Completed on step 2-1)

-Look at detail view for more detail



10



8pcs

# STEP 3-1:

Following below illustration:

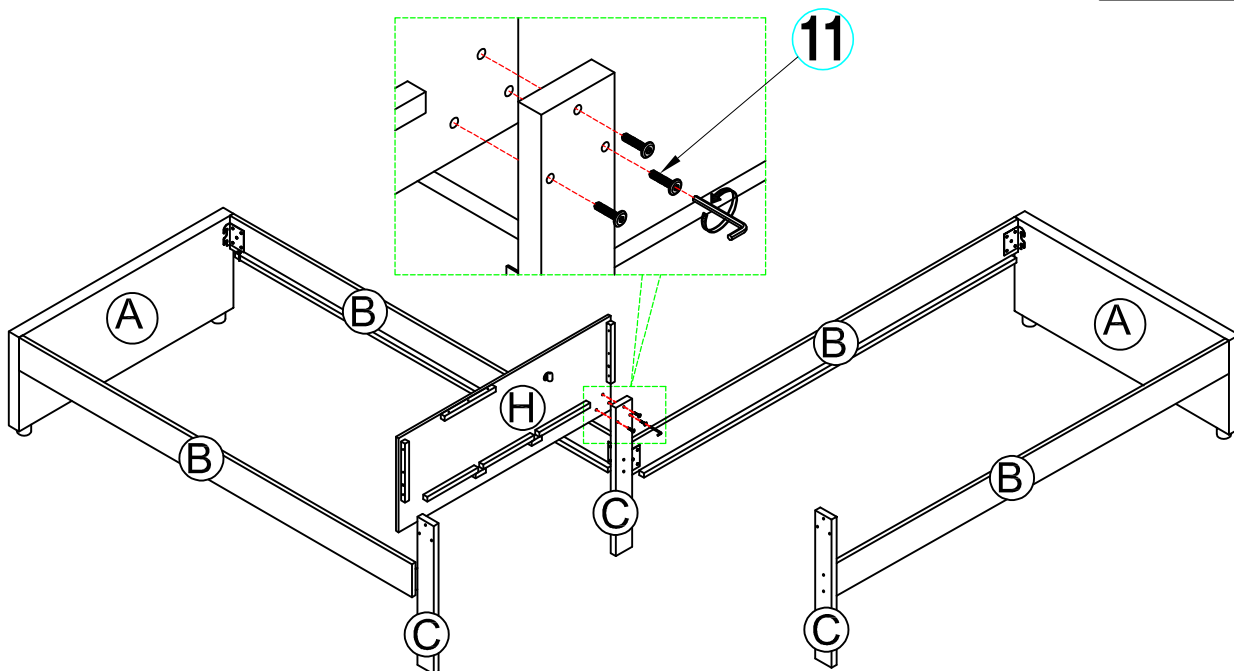
-Using hardward #11 to Assembly Frame(Completed on step 2-2) with H Frame

-Look at detail view for more detail

11



3pcs



# STEP 3-2:

Following below illustration:

-Using hardward #11 and Dowel 12 to Assembly Frame(Completed on step 3-1) with I Frame

-Look at detail view for more detail

11

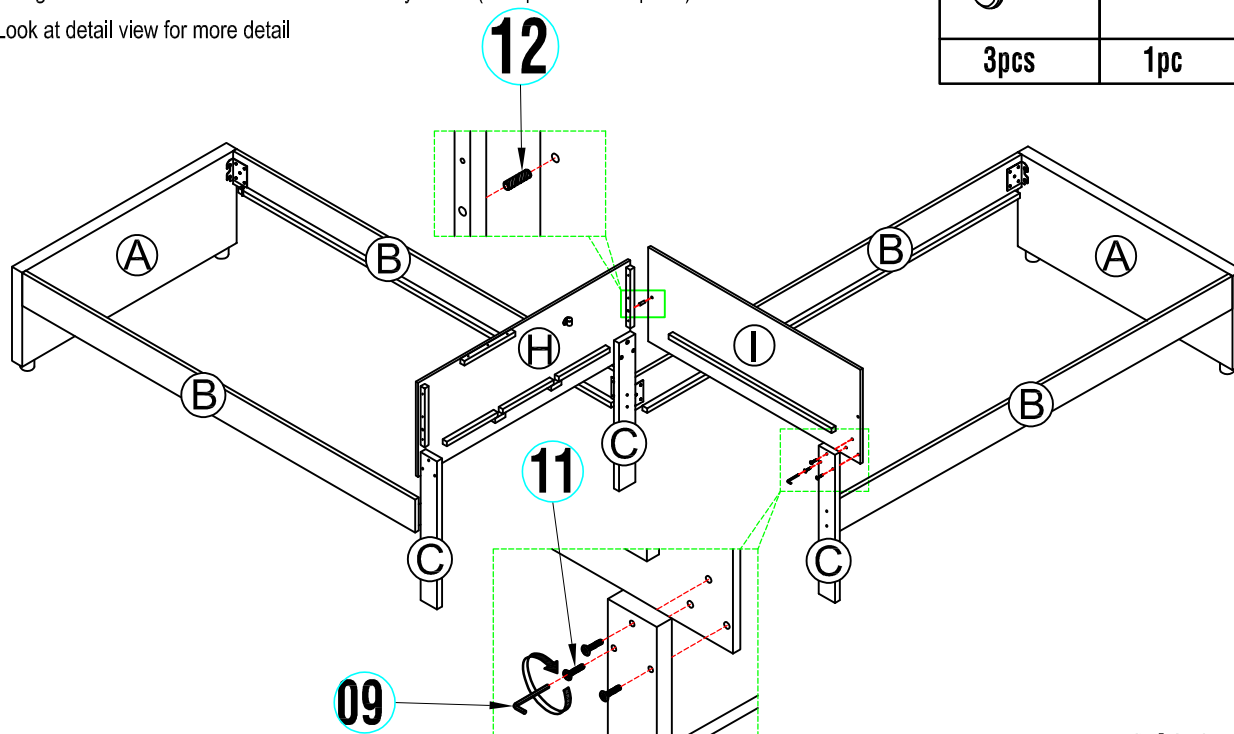


3pcs

12



1pc



09

# STEP 3-3:

Following below illustration:

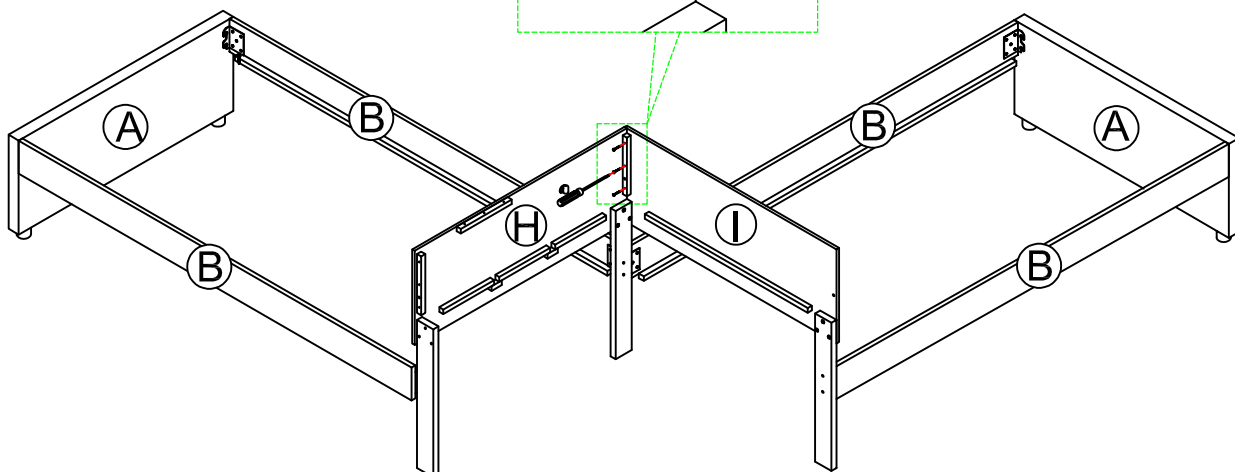
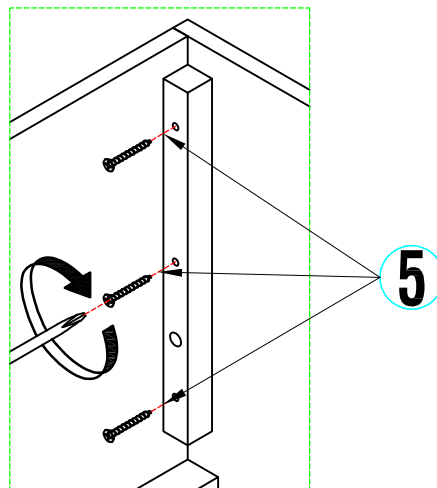
-Using hardward #4 to Assembly Frame(Completed on step 3-1) with I Frame

-Look at detail view for more detail

5



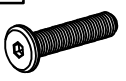
3pcs

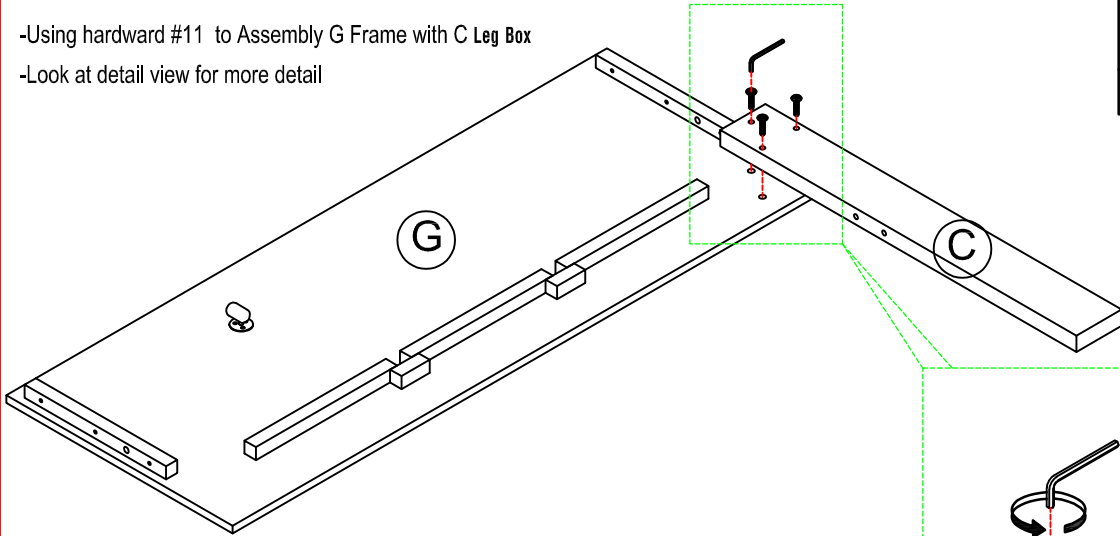


# STEP 4:

Following below illustration:

- Using hardware #11 to Assembly G Frame with C Leg Box
- Look at detail view for more detail



11

3pcs

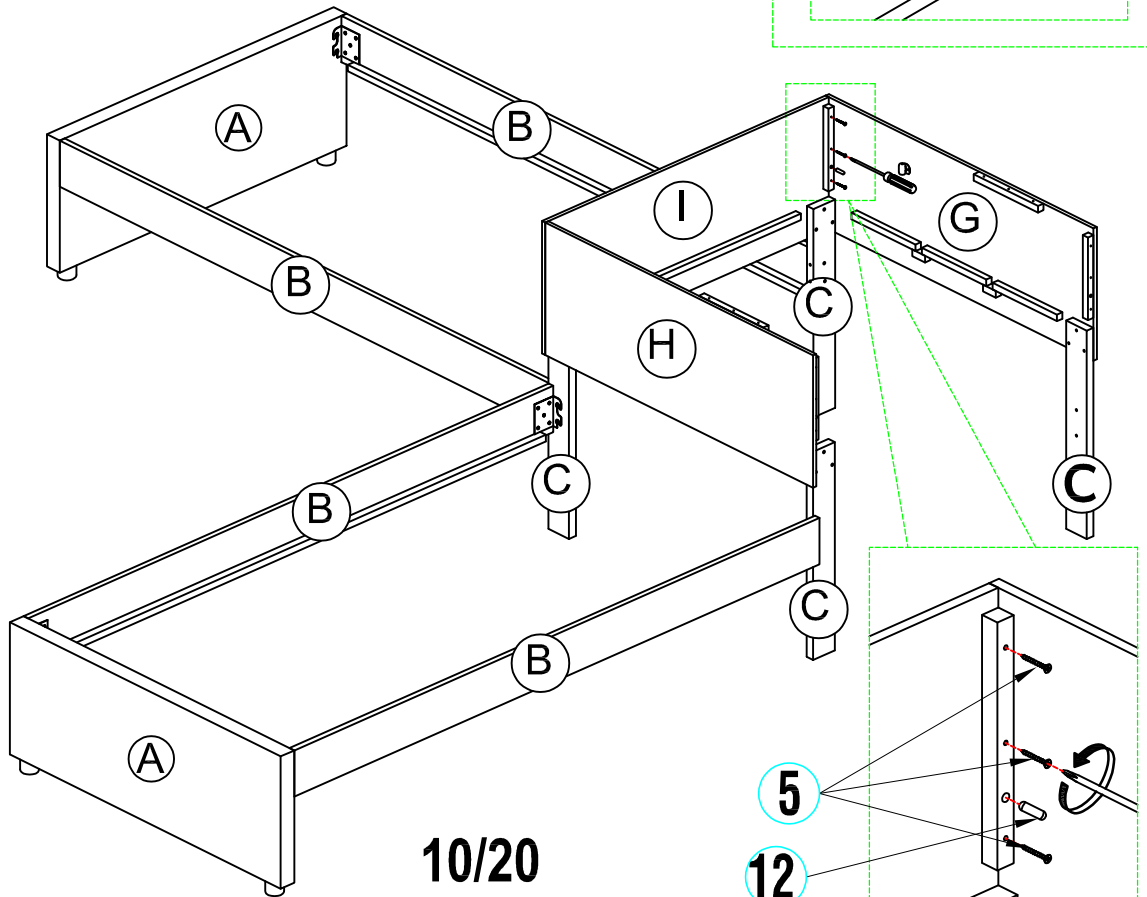
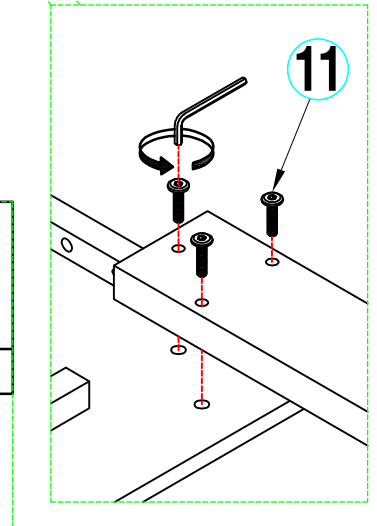


# STEP 5:

Following below illustration:

- Using hardware #4 and Dowel 12 to Assembly Frame (Completed on step 3-3) With Frame (Completed on step 4)
- Look at detail view for more detail

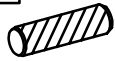

12	5
	
1pc	3pcs

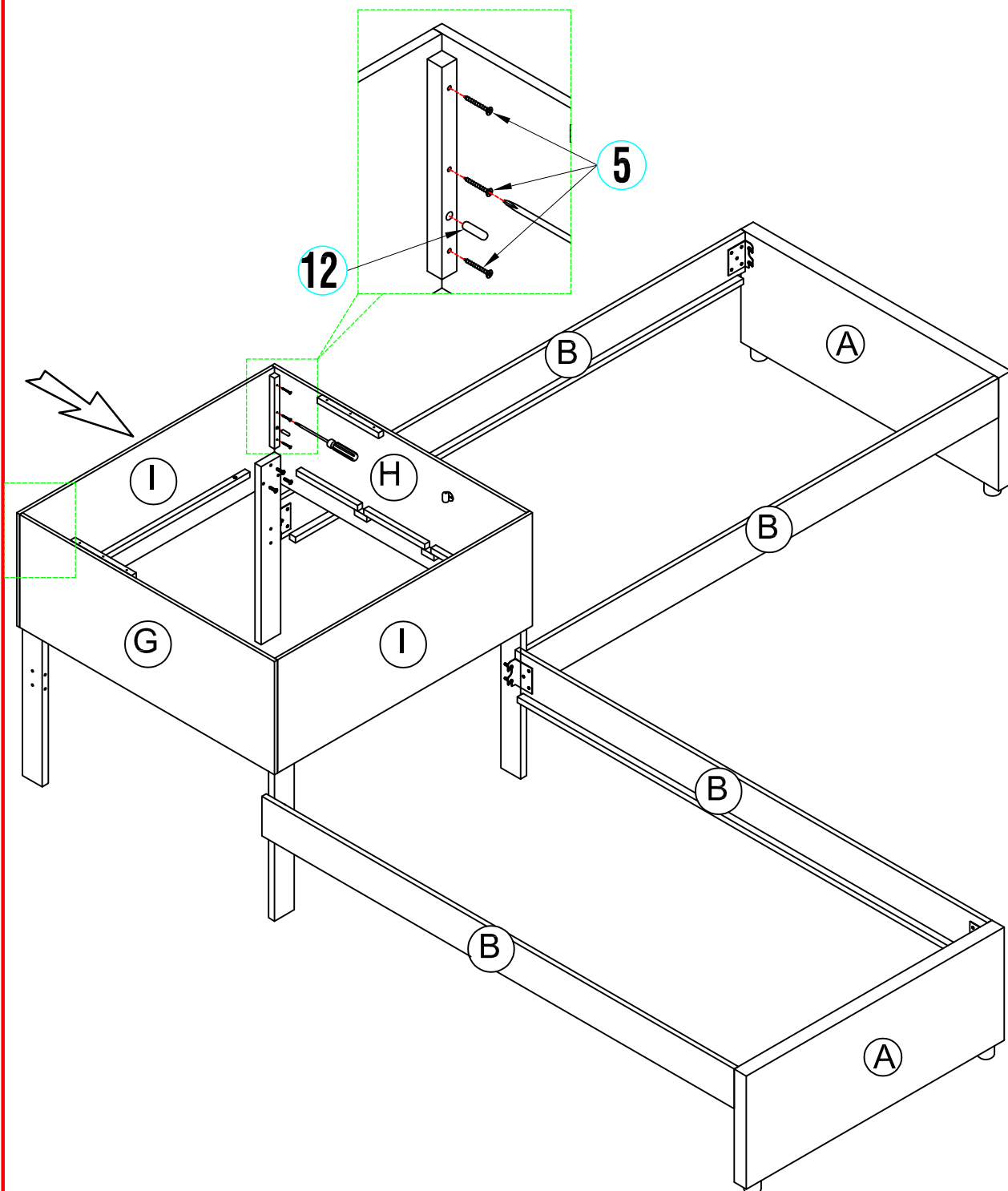


# STEP 6:

Following below illustration:

-Using hardward #4 and dowel 12 to Assembly Frame (Completed on step 5) With I Frame

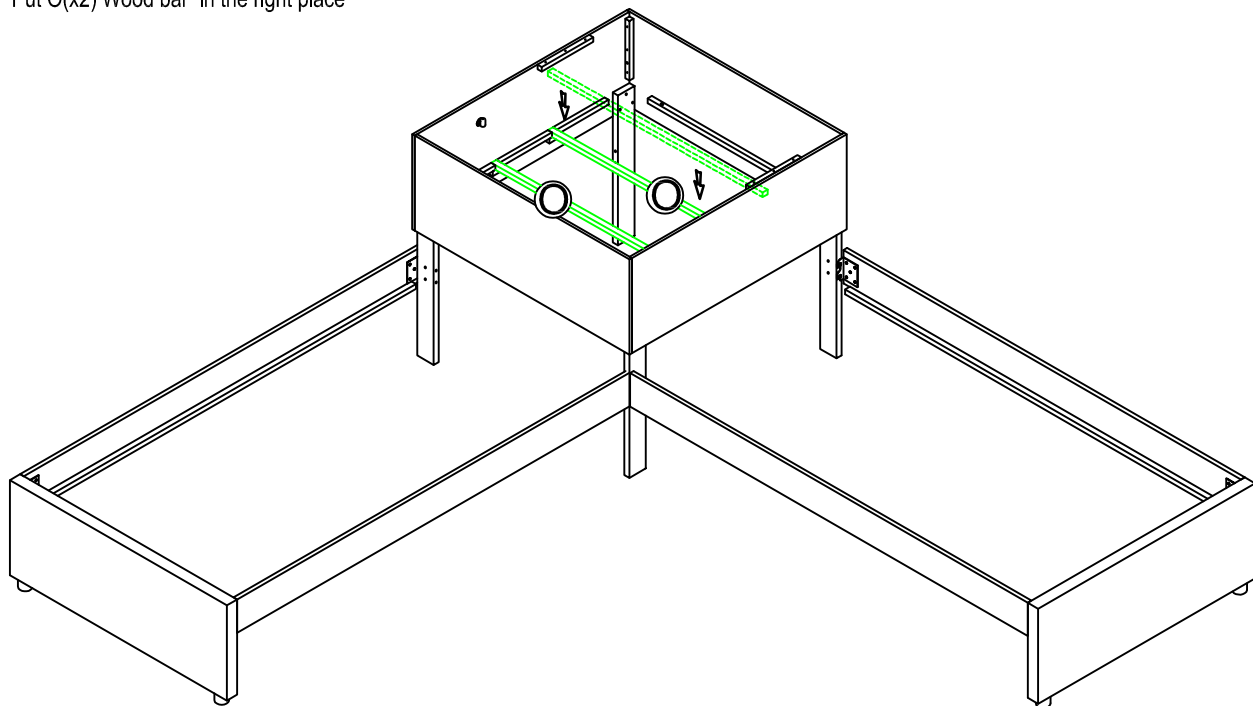
12	5
	
1pc	6pcs



# STEP 7:

Following below illustration:

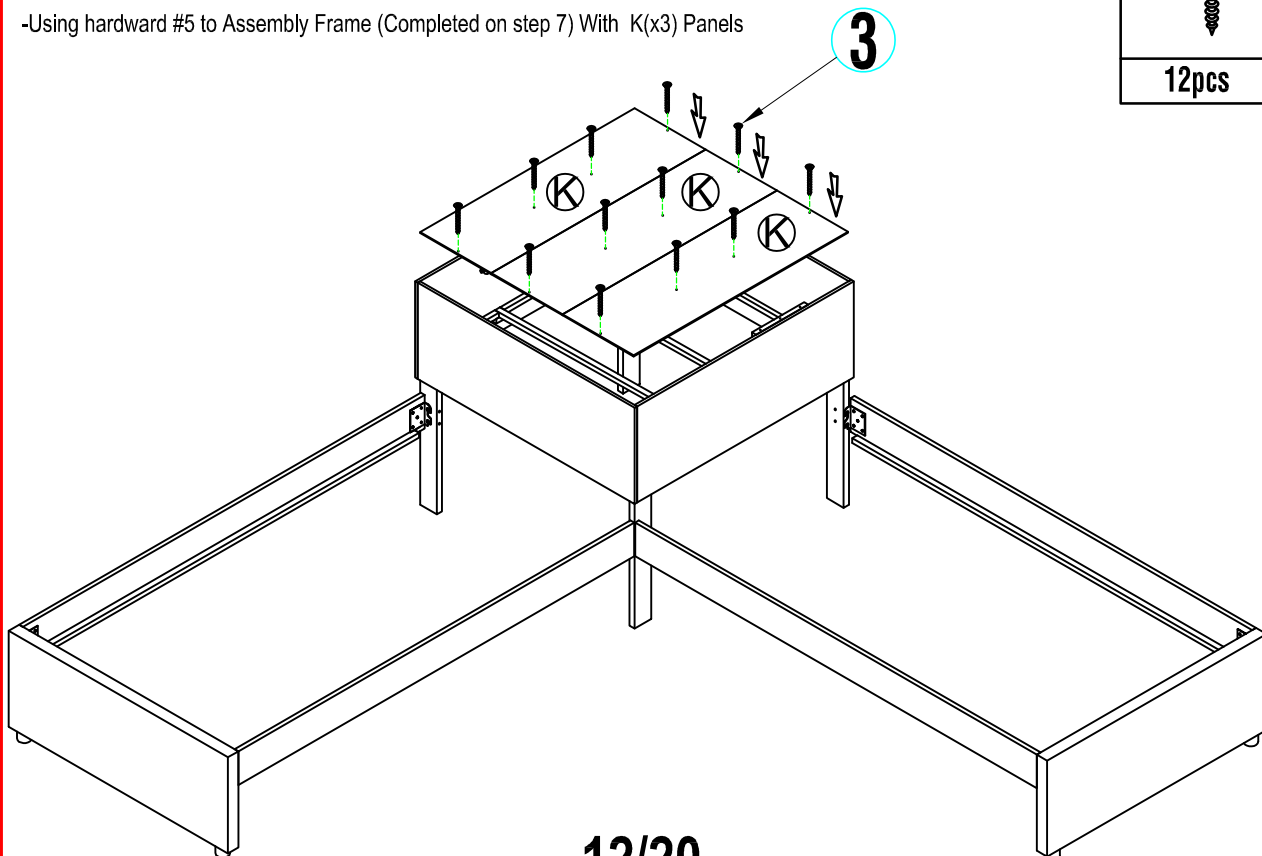
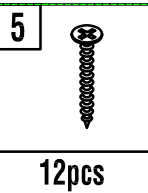
Put O(x2) Wood bar in the right place



# STEP 8:

Following below illustration:

-Using hardward #5 to Assembly Frame (Completed on step 7) With K(x3) Panels

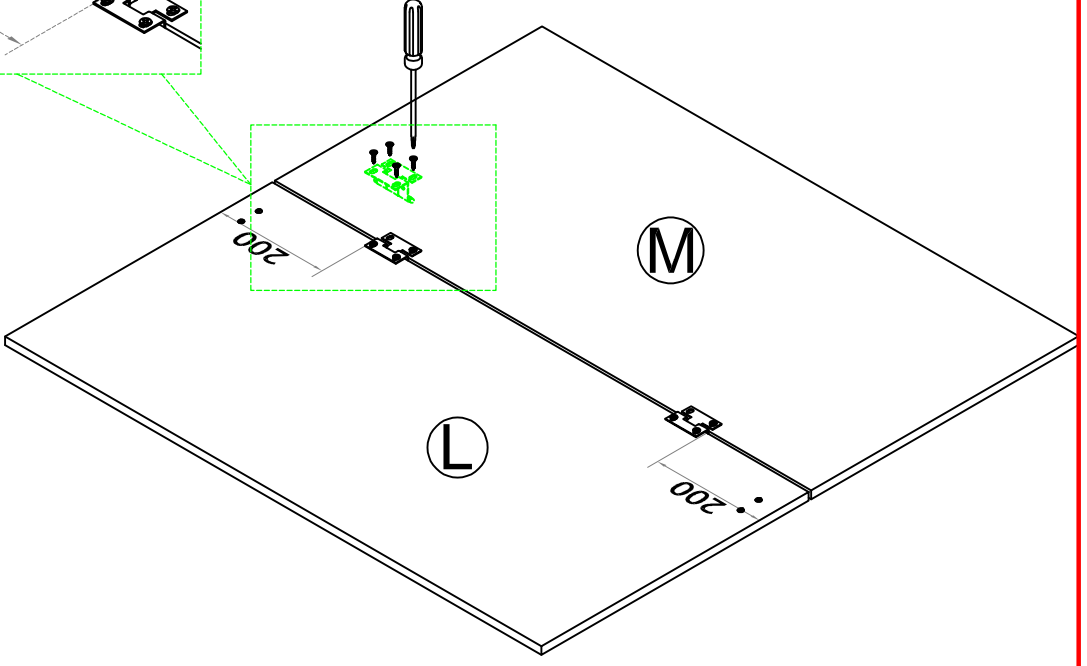
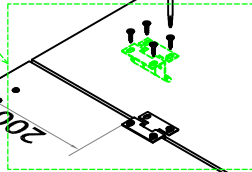
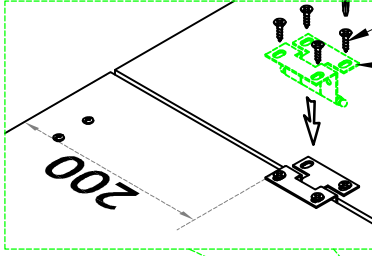


# STEP 9-1:

Following below illustration:

3

8



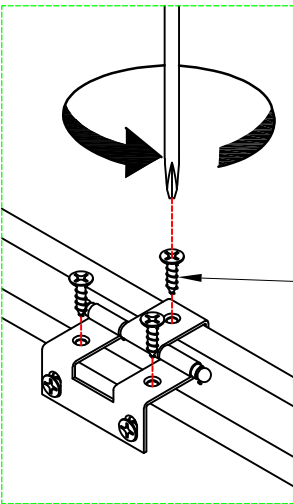
8	3
2pcs	8pcs

# STEP 9-2:

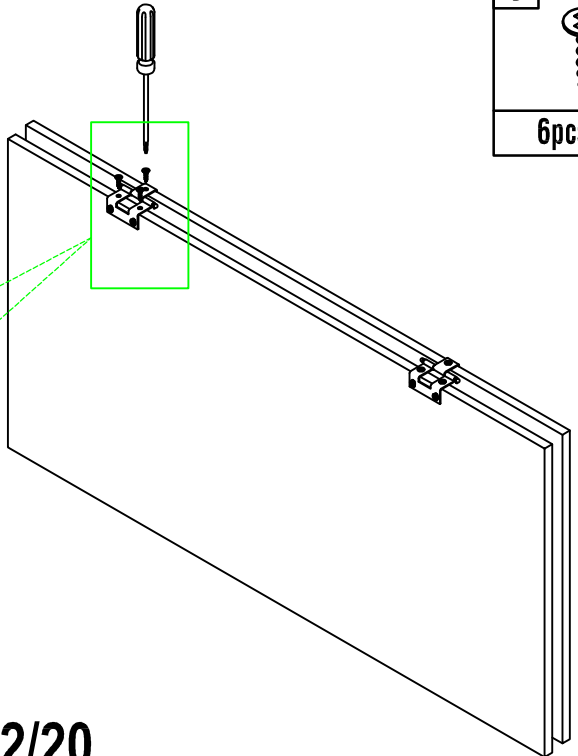
Following below illustration:

3

6pcs



3



# STEP 10:

Following below illustration:

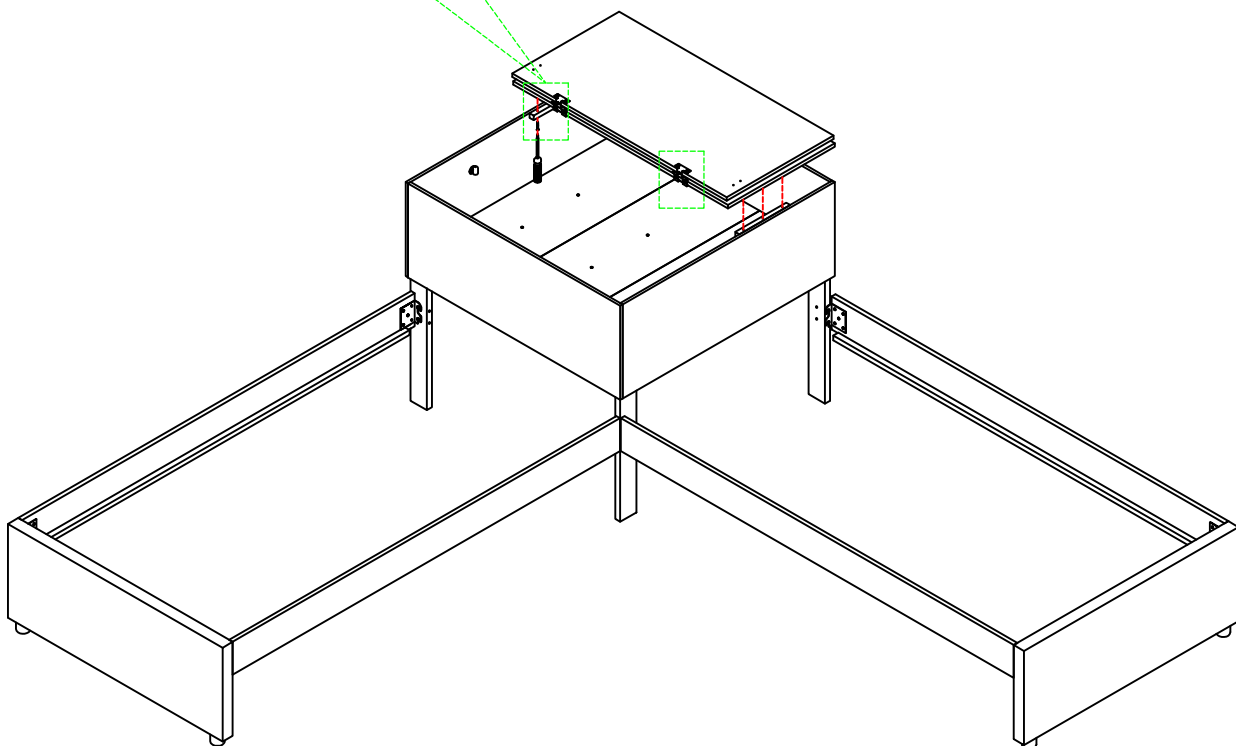
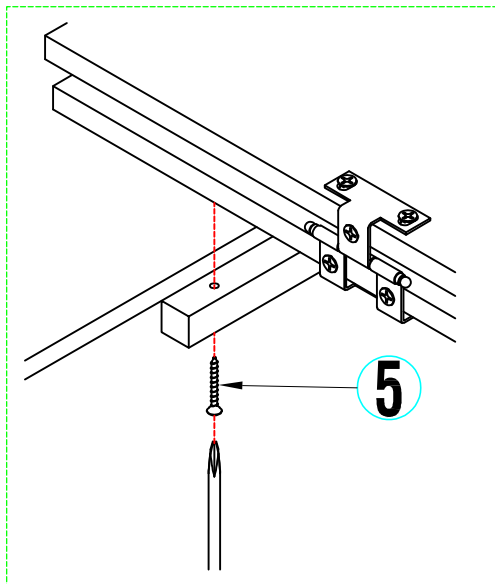
-Using hardward #4 to Assembly Frame(Completed on step 9-2) With Frame(Completed on step 8)

-Look at detail view for more detail

5

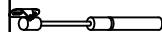


2pcs

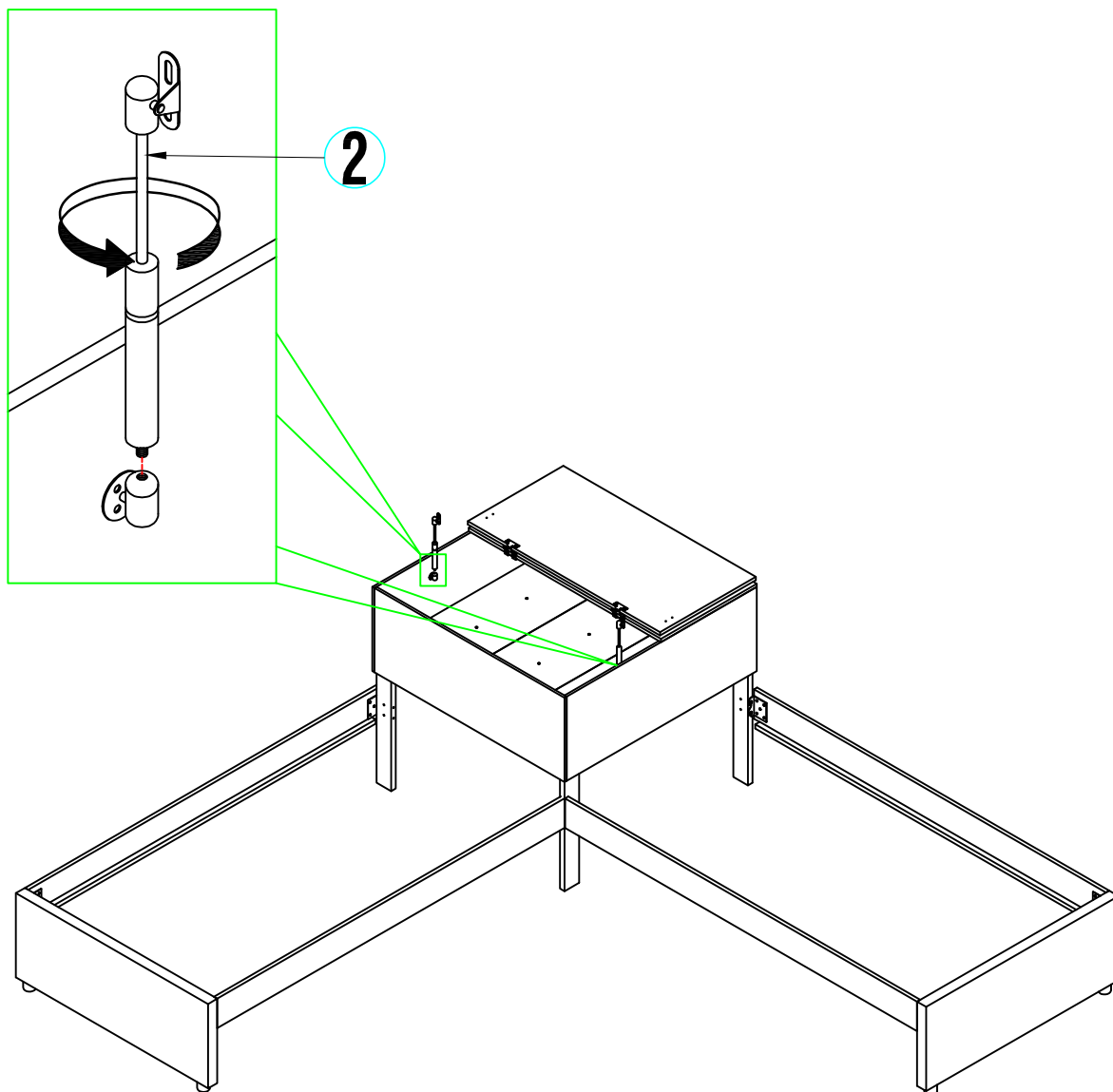


# STEP 11: Following below illustration:

2



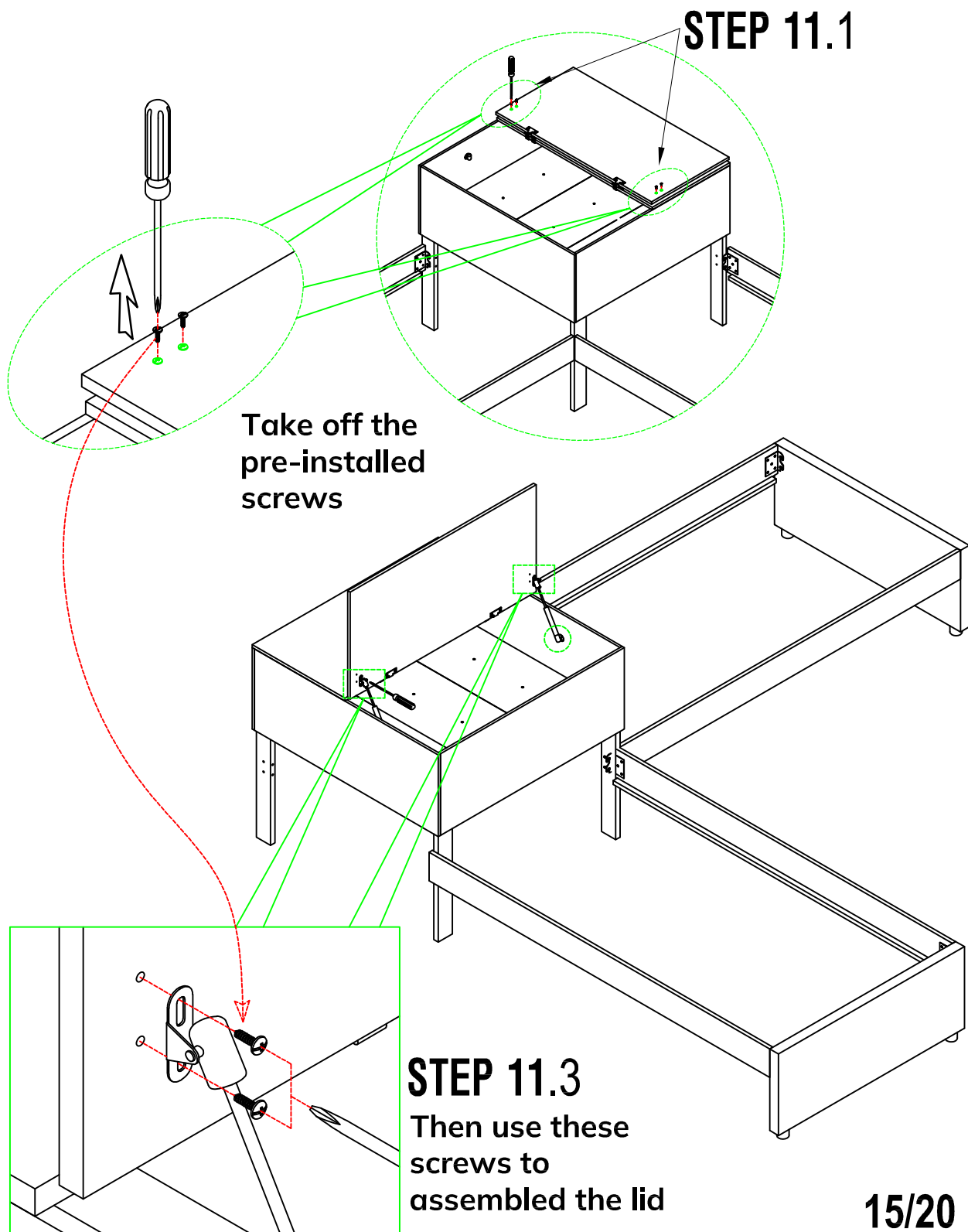
2pcs



# STEP 11:

Following below illustration:

- Disassemble hardward #3(Step 11.1)
- Using hardward #3 to Assembly hardward #2 With Frame(Completed on step 10):Step11.3
- Look at detail view for more detail



# STEP 12:

Following below illustration:

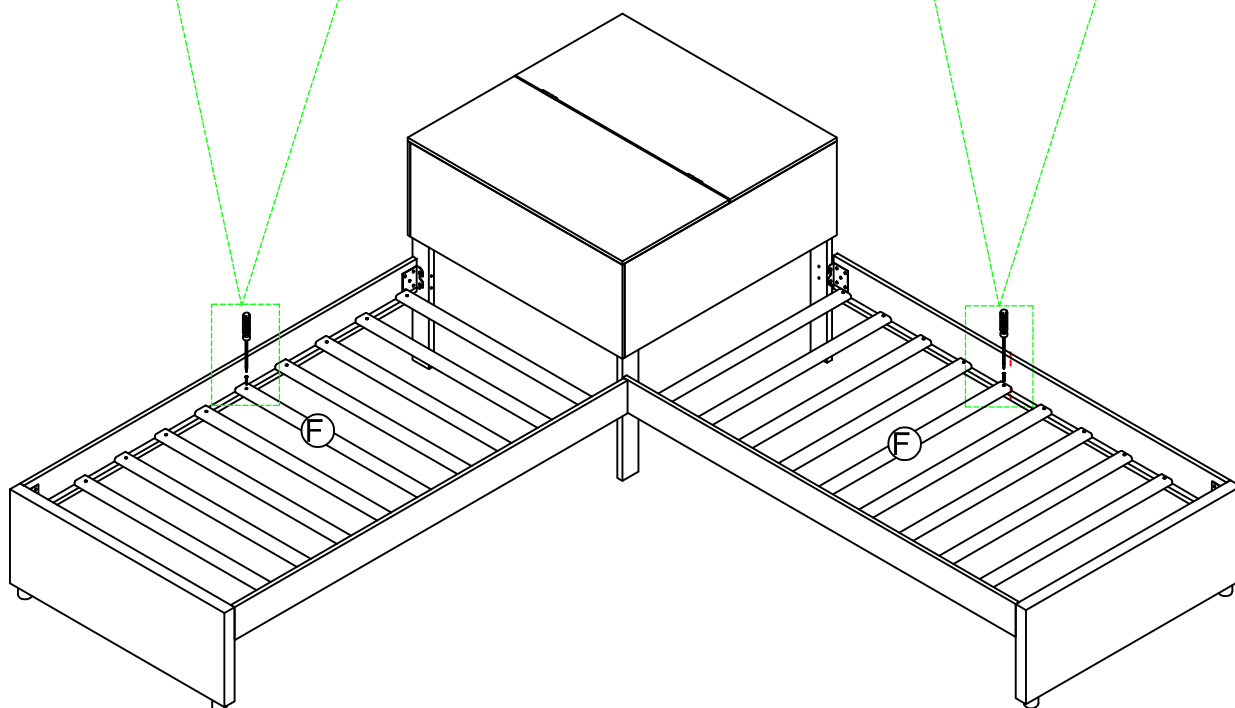
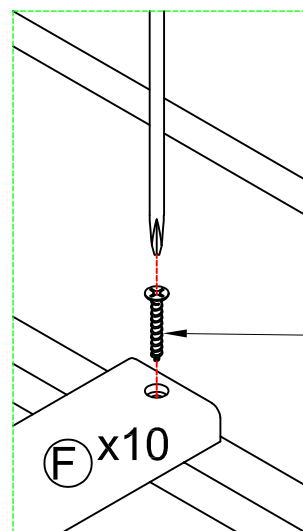
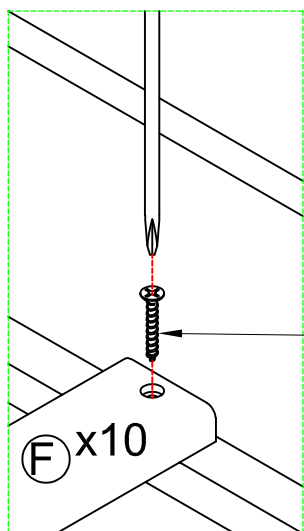
-Using hardward #4 to Assembly 20 Slat F With Frame(Completed on step 11)

-Look at detail view for more detail

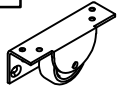

4

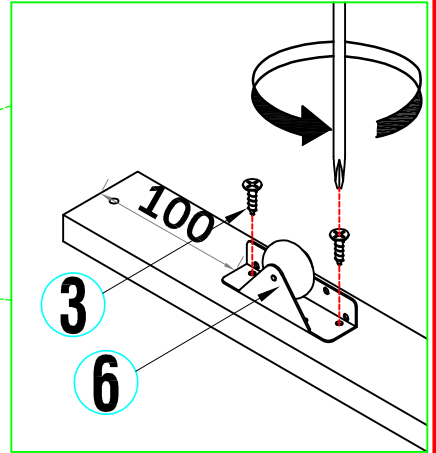
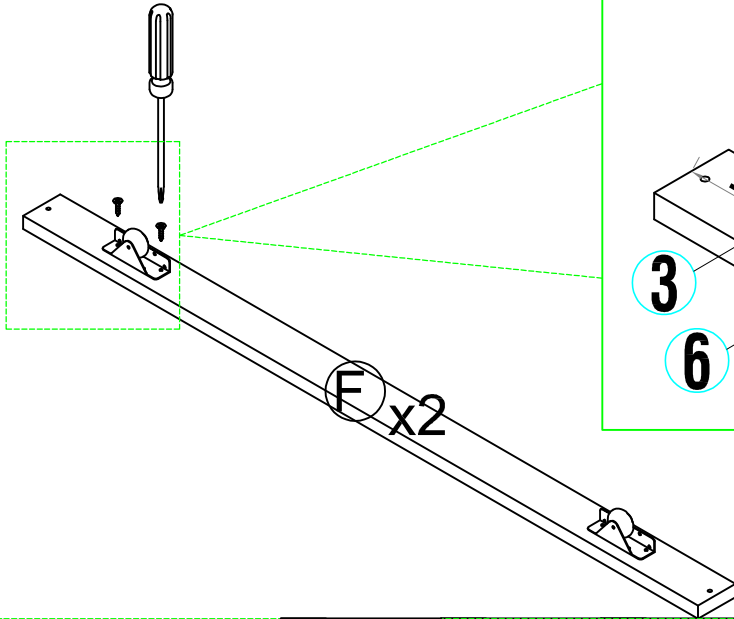





40pcs

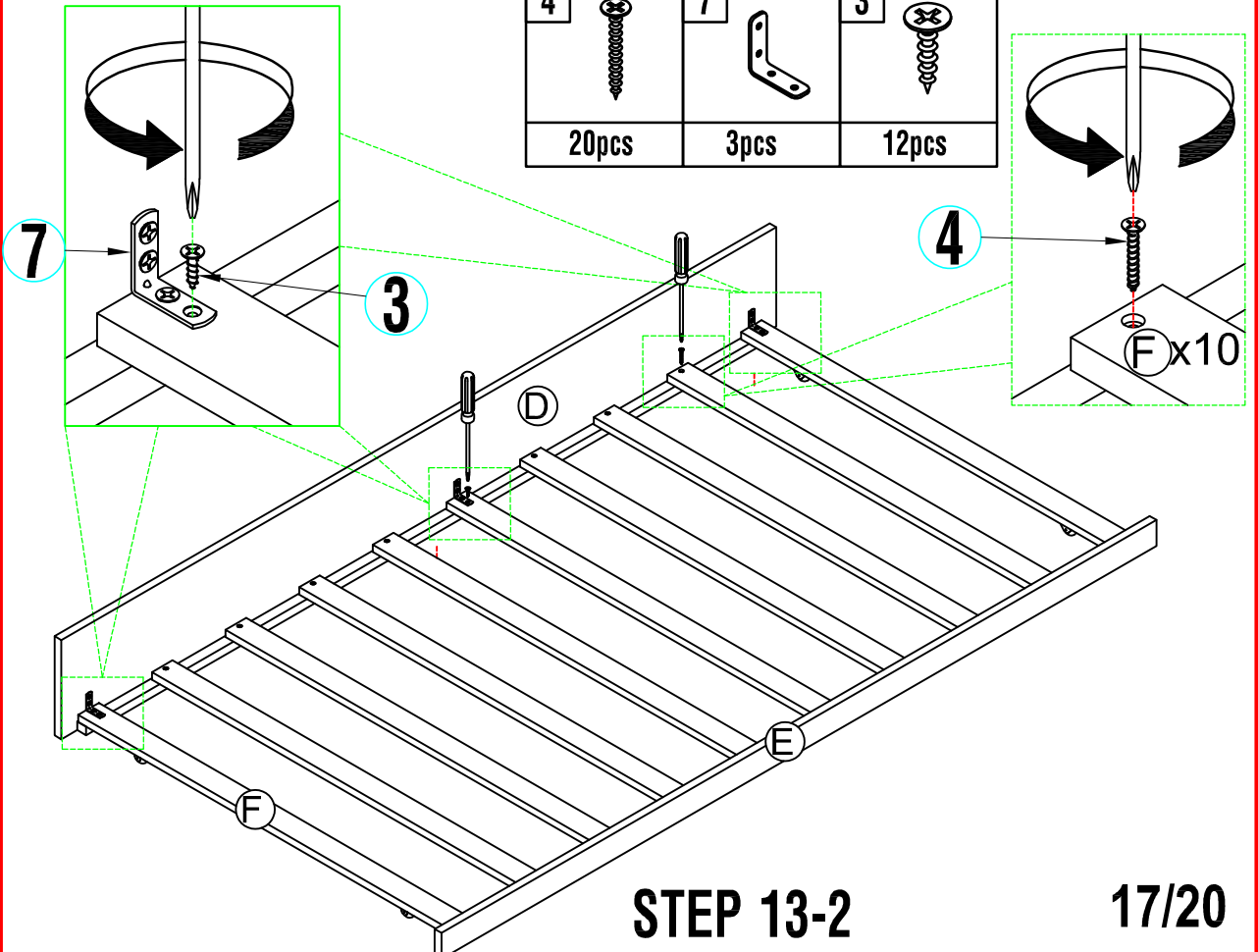


# STEP 13-1:

6		3	
4pcs		8pcs	




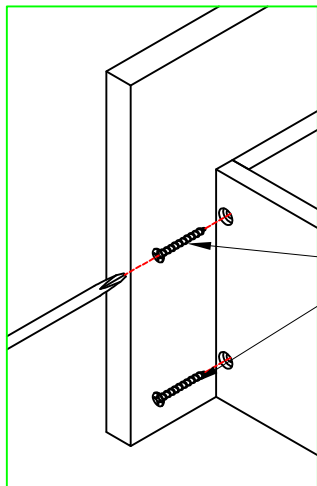
4		7		3	
20pcs		3pcs		12pcs	



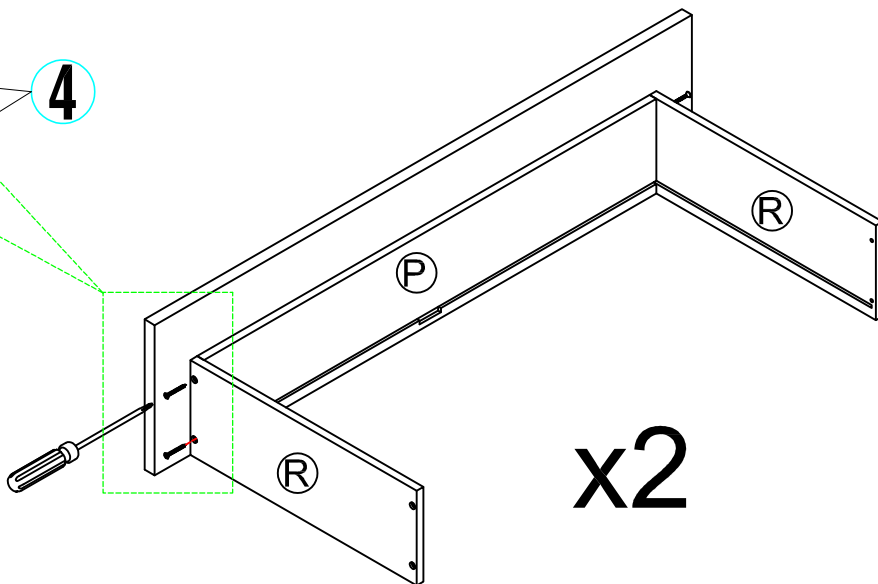
# STEP 13-2

# STEP 14-1:

4	
8pcs	

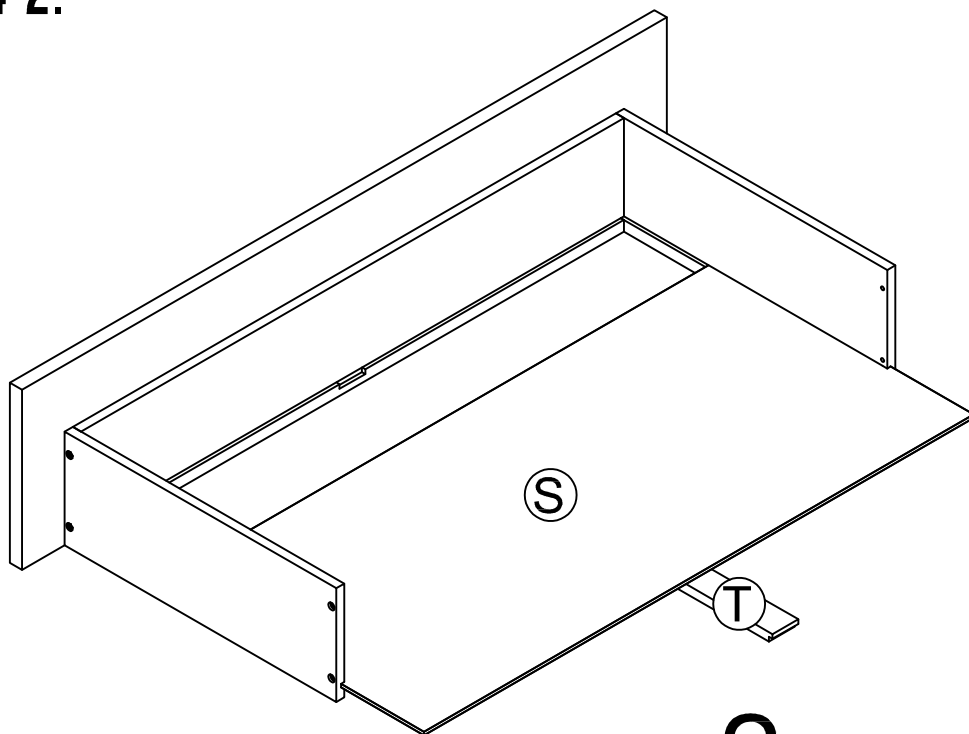


4



x2

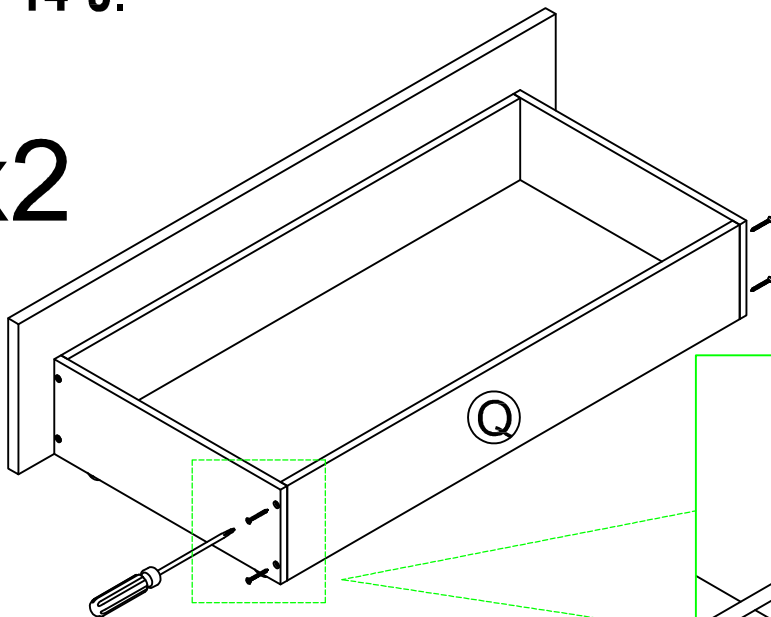
# STEP 14-2:




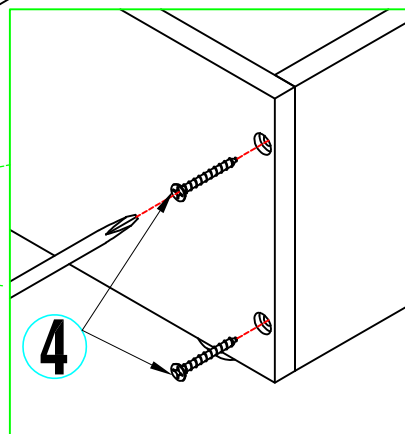
x2

# STEP 14-3:

x2

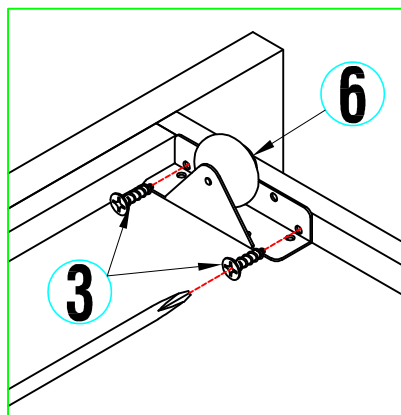




4	
8pcs	

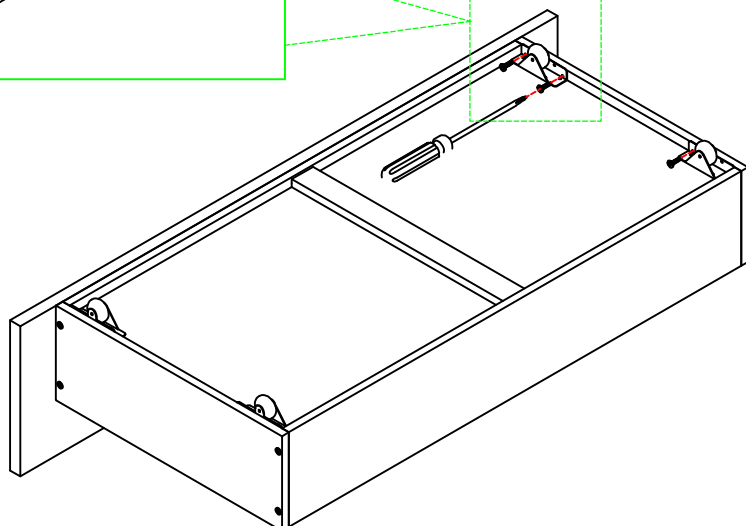


# STEP 14-4:

x2



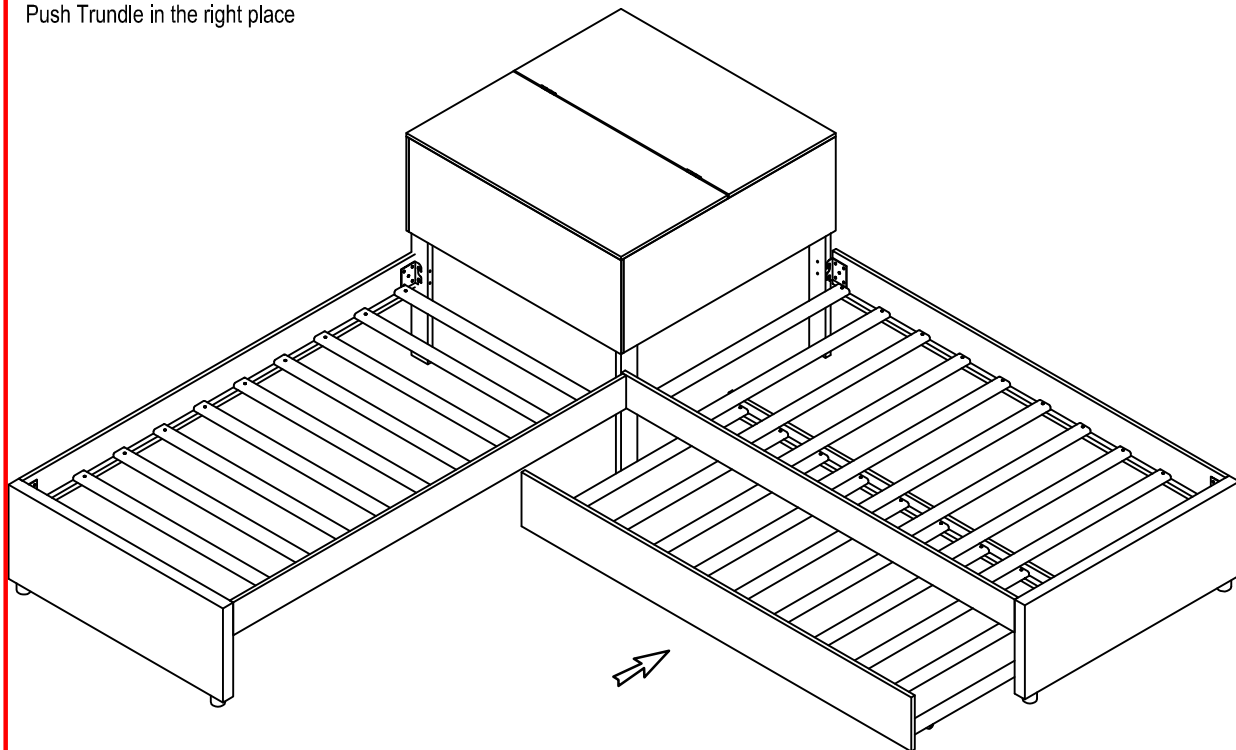
6		3	
8pcs		16pcs	



## STEP 15-1:

Following below illustration:

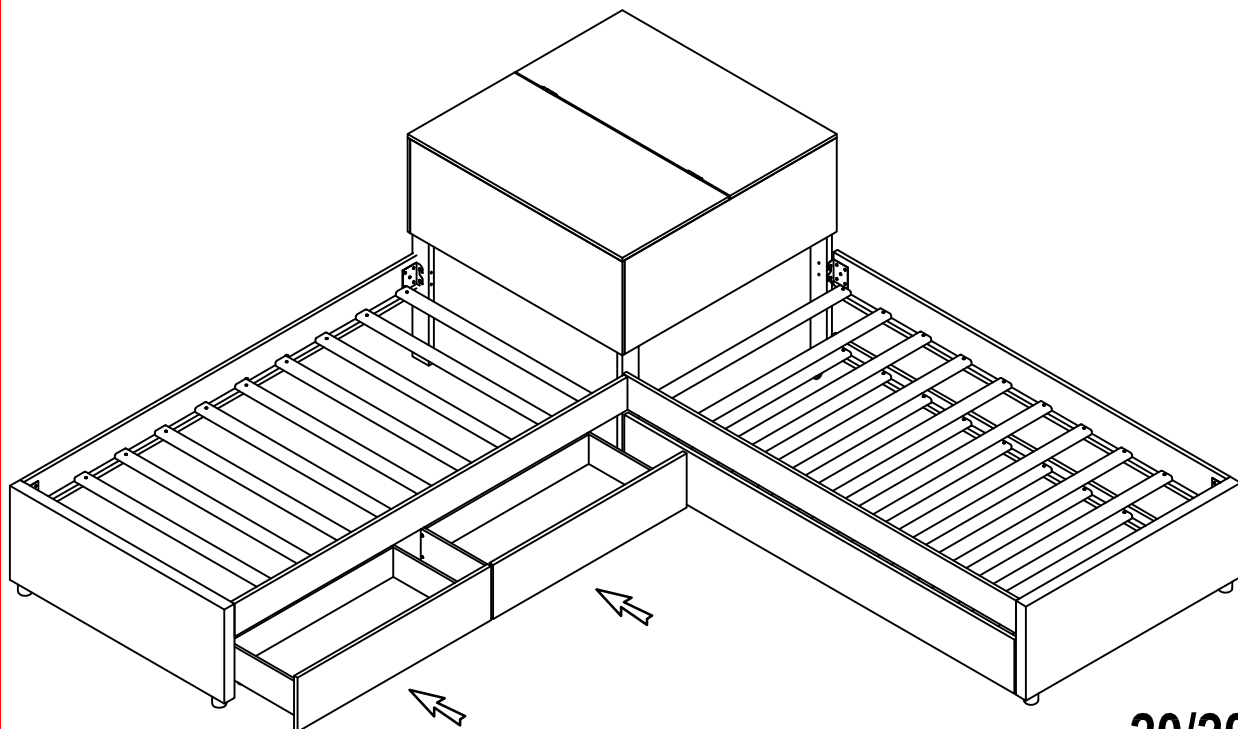
Push Trundle in the right place



## STEP 15-2:

Following below illustration:

Push 2 Drawer in the right place



# FINISH

