
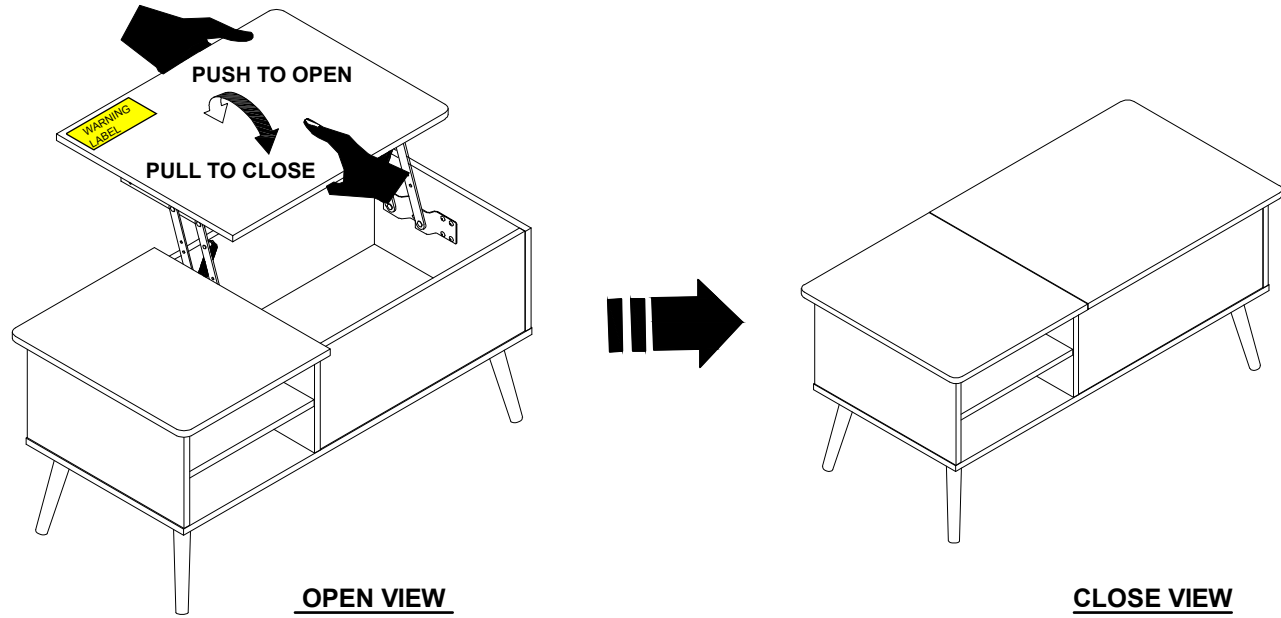


STEP 10

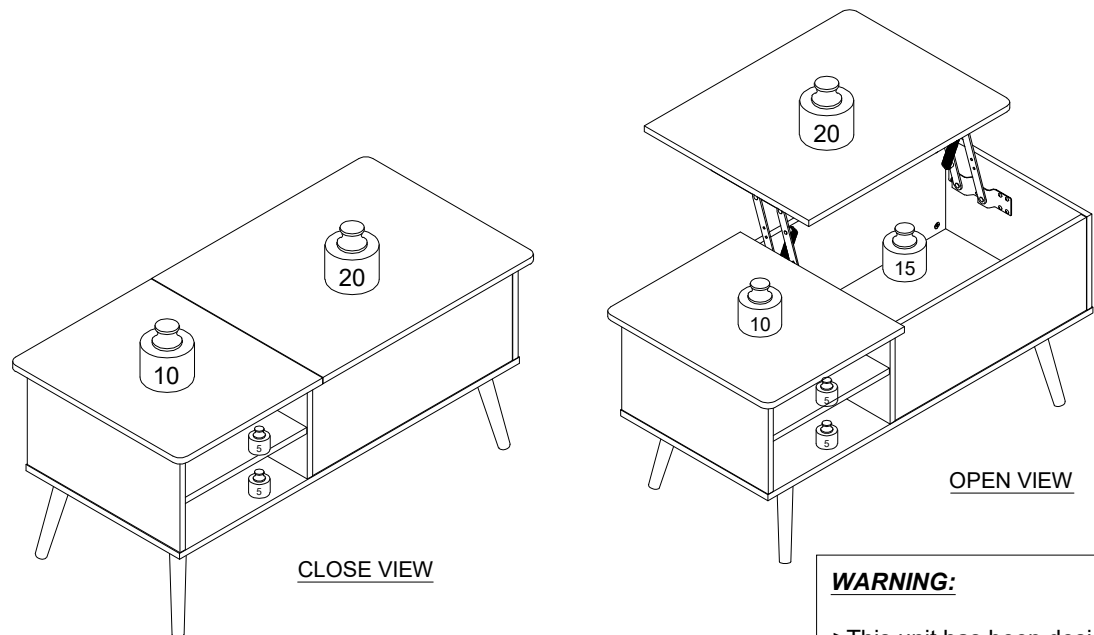


WARNING
Keep out of Reach of Children.
Prevent serious injury from falls of Lift Top.
Always secure child in the restraint.

Note: Please hold both side.



Recommended Maximum Weight



WARNING:
>This unit has been designed to support the maximum loads shown. Exceeding these load limits could cause sagging, instability, product collapse, and/or serious injury.
>DO NOT allow children to climb on unit.
> Put heavier items on lower shelves.


*Unit in Pound(lbs.)



00:45
Approx. 45 minutes

Assembly Instruction

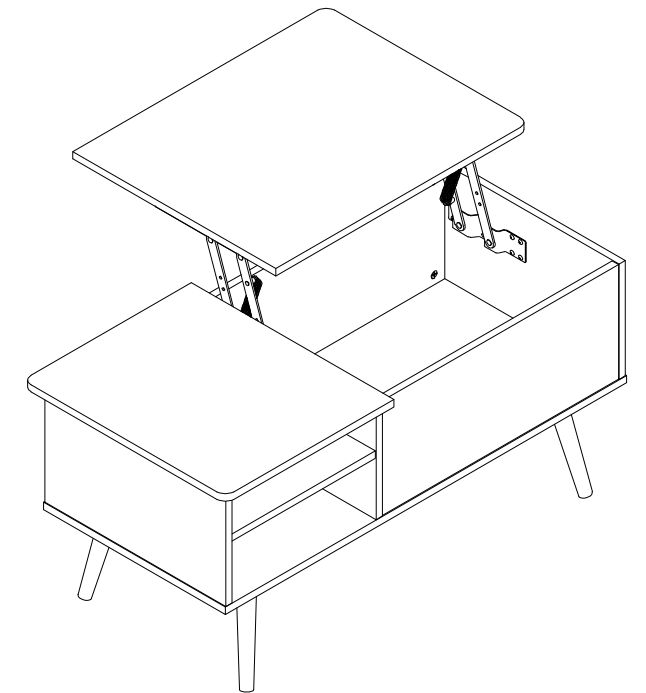
Furinno Lift Top Coffee Table
MODEL : 21349



Recomm. 2 Person



Tools Required








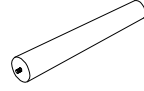
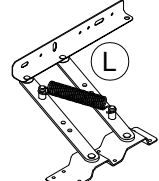
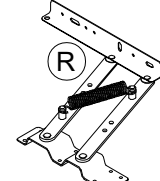



Customer Support

NEED HELP? For replacement requests or product inquiries, please contact our Customer Service Team by emailing us at support@furinno.com. Thank you for selecting Furinno!

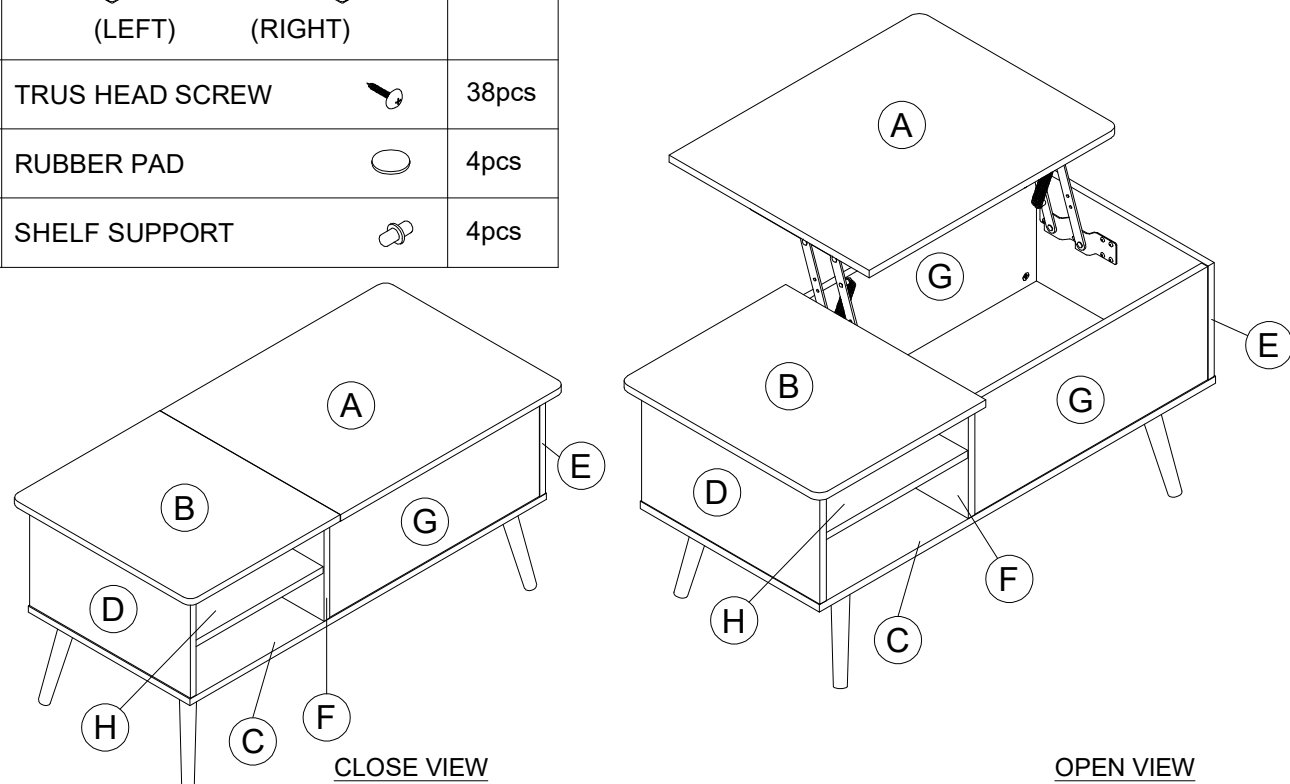
www.furinno.com



HARDWARE & PARTS LIST

NO	HARDWARE LIST	QTY
1	MINIFIX  	12pcs
2	WOOD DOWEL 	14pcs
3	POZIHEAD SCREW 	10pcs
4	METAL SUPPORT PLATE 	4pcs
5	WOODEN LEG 	4pcs
6	LIFT TOP BRACKET   (LEFT) (RIGHT)	1sets
7	TRUS HEAD SCREW 	38pcs
8	RUBBER PAD 	4pcs
9	SHELF SUPPORT 	4pcs

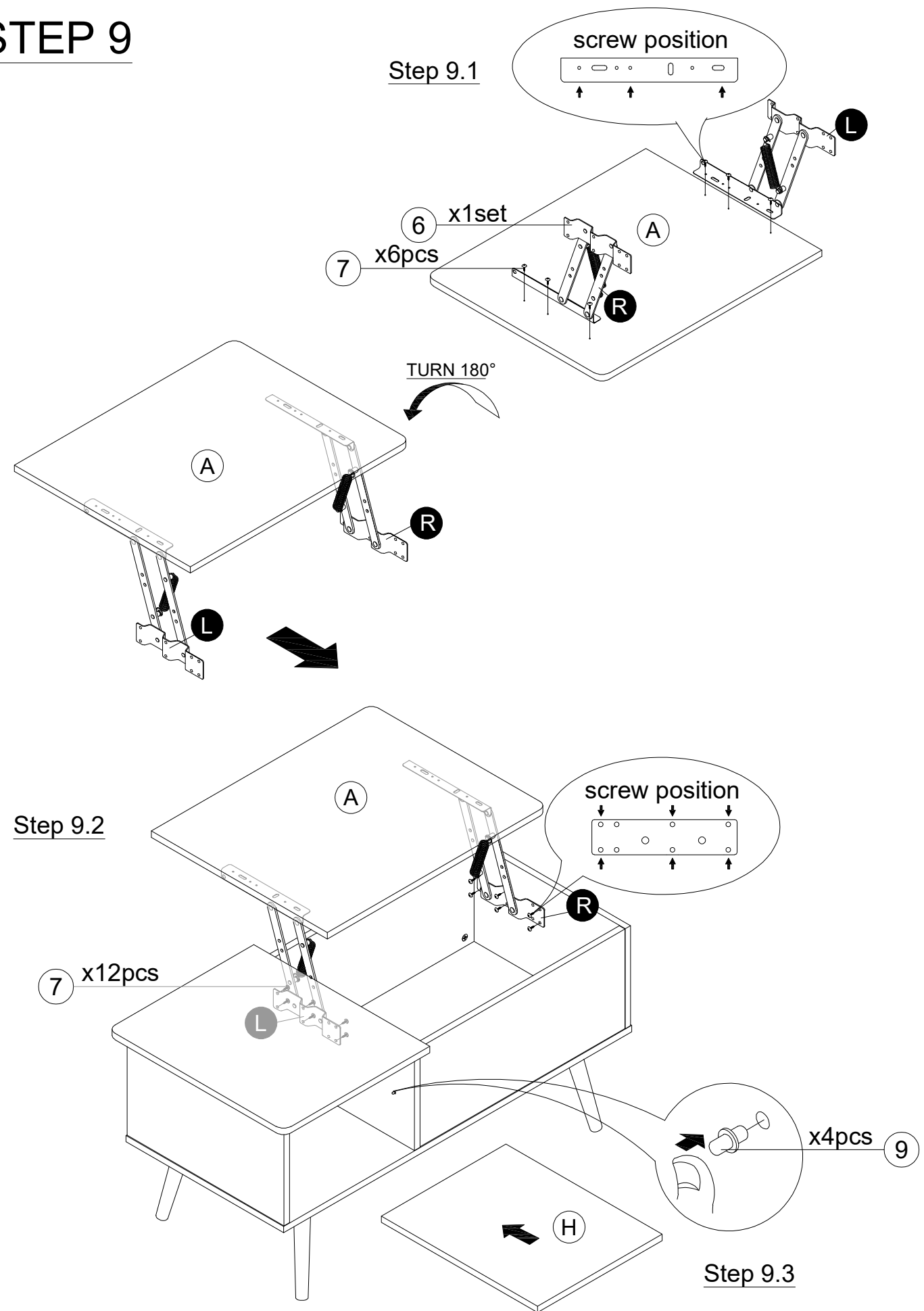
NO	PART LIST	QTY
A	LIFT TOP	1pc
B	TOP PANEL	1pc
C	BOTTOM PANEL	1pc
D	LEFT SIDE PANEL	1pc
E	RIGHT SIDE PANEL	1pc
F	PARTITION PANEL	1pc
G	COVER PANEL	2pcs
H	ADJUSTABLE PANEL	1pc



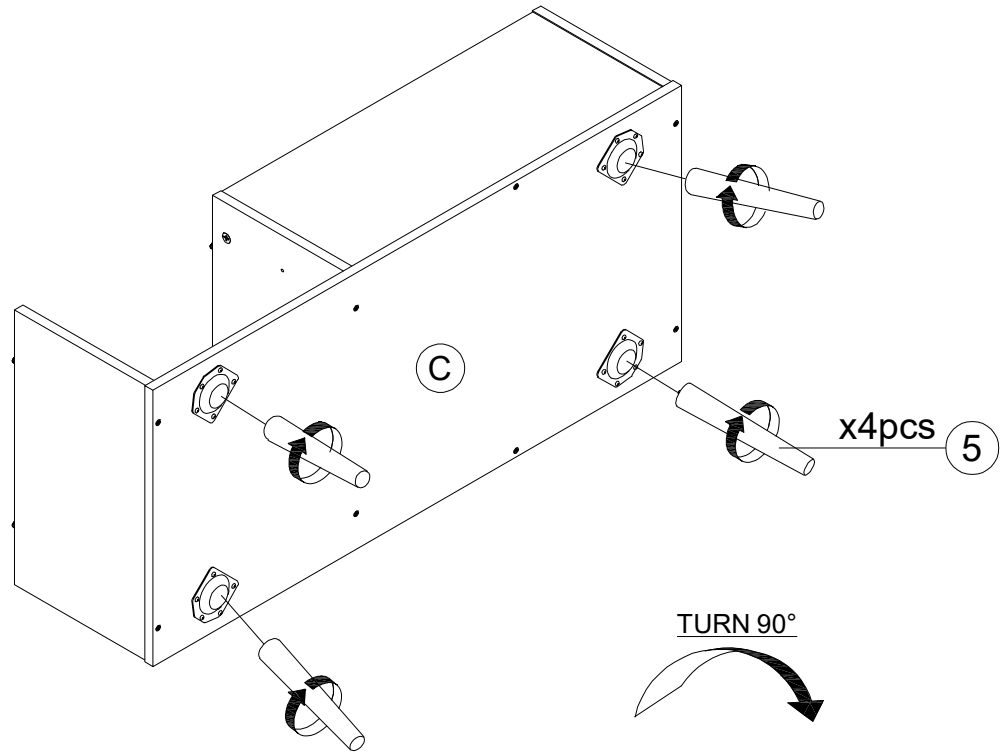
USEFUL HINTS BEFORE YOU START:

1. Read each step carefully before starting.
2. It is important that each step is performed in correct order to avoid difficulties.
3. Identify, sort and count the parts before assembly.
4. Assemble your furniture on packaging cardboard to prevent scratch or damage.
5. Clean the product with mild cleanser using soft damped cloth. Do not use harsh or abrasive cleanser.
6. Using incompatible hardware might cause damage to product.

STEP 9

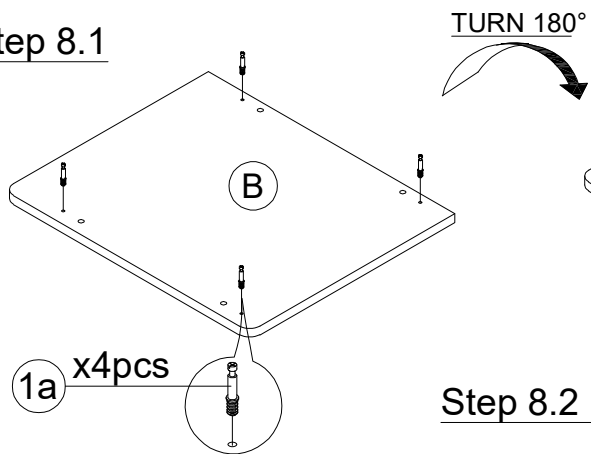


STEP 7

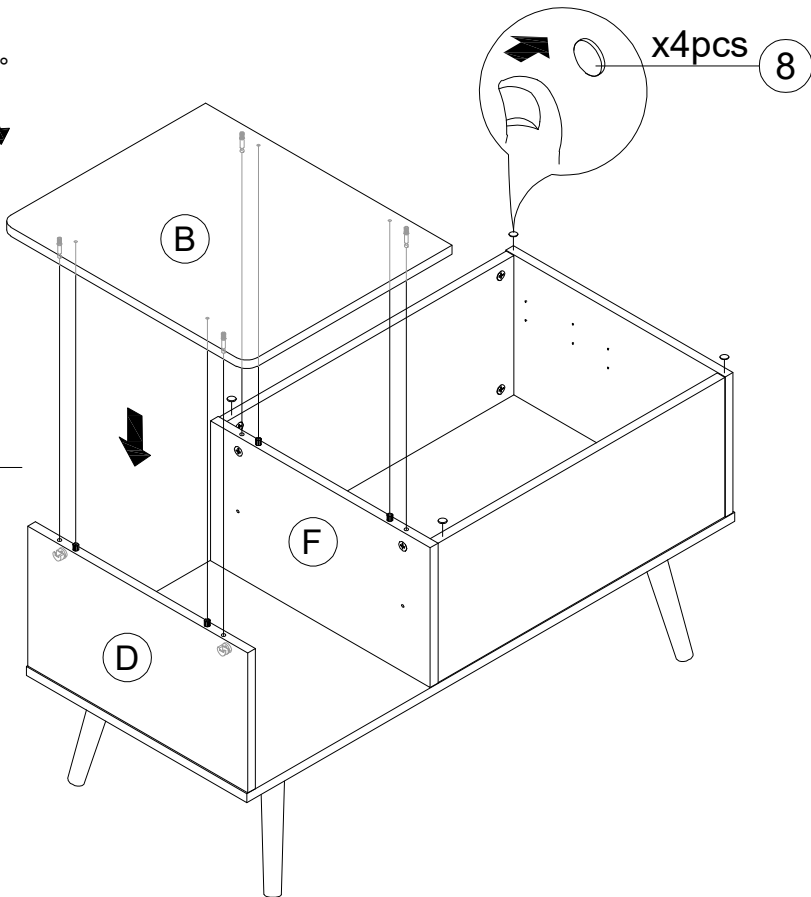


STEP 8

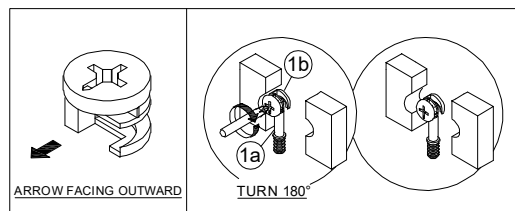
Step 8.1



Step 8.2



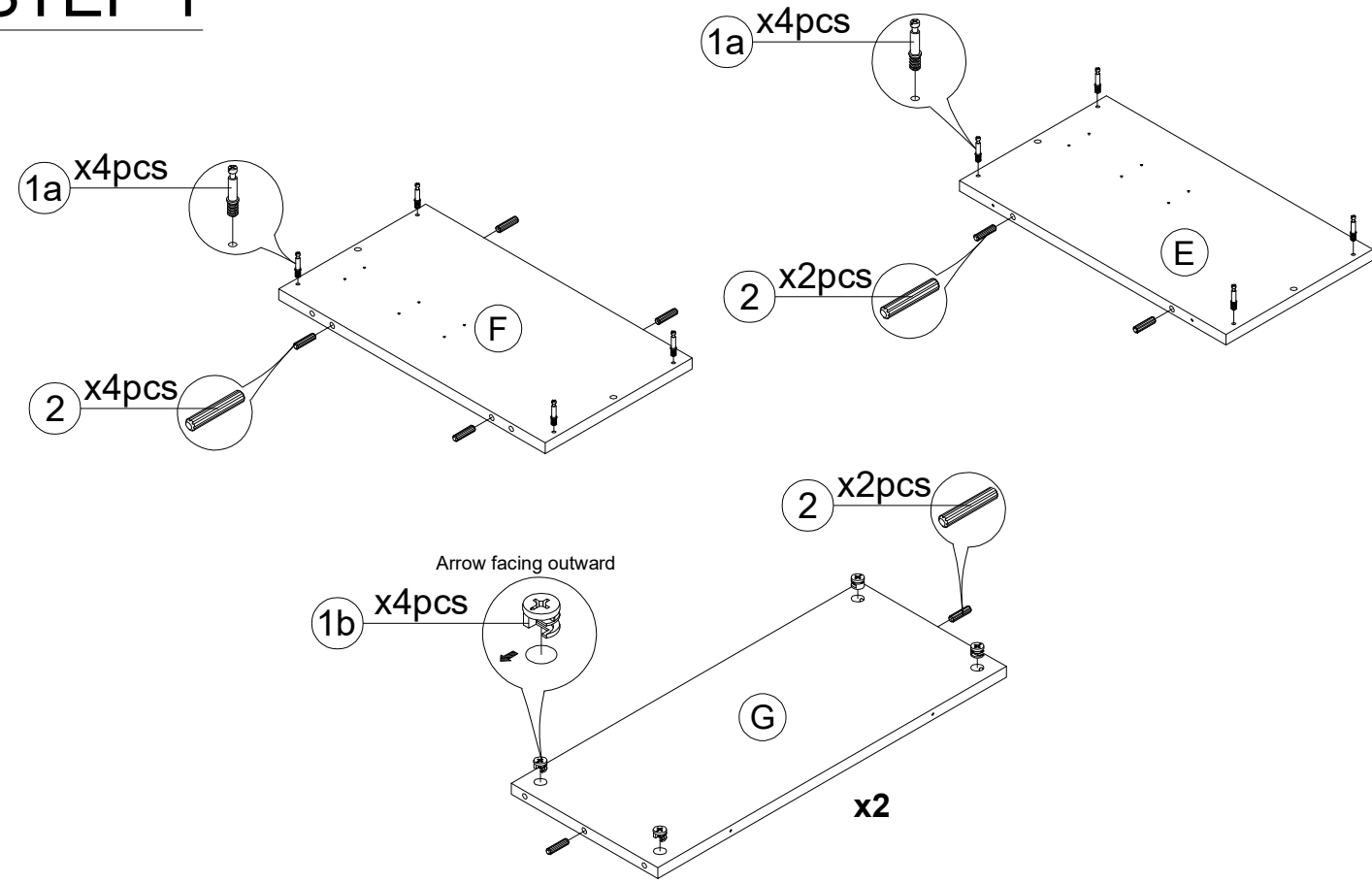
Step 8.3



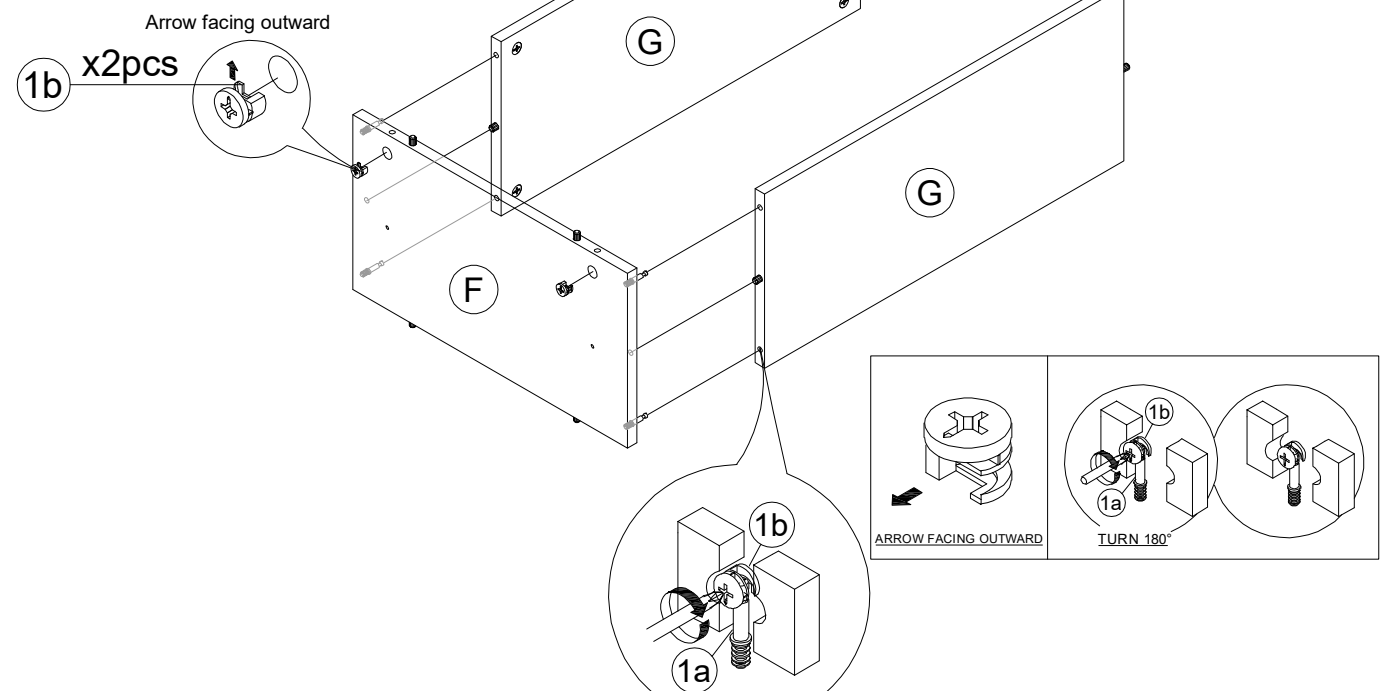
ASSEMBLY INSTRUCTIONS

BEFORE YOU BEGIN, PLEASE READ ASSEMBLY INSTRUCTIONS CAREFULLY, FOLLOW THEM STEP BY STEP.

STEP 1



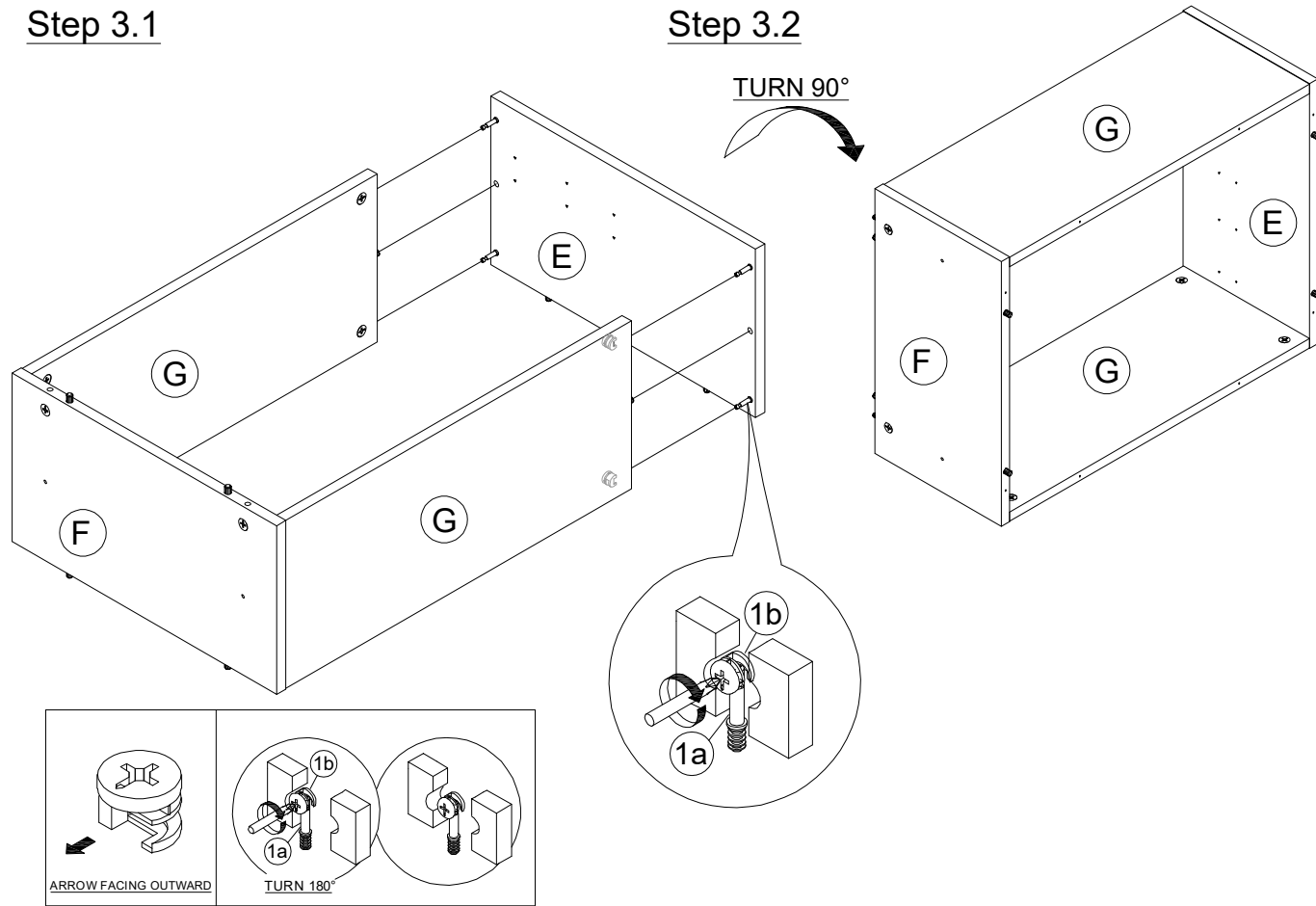
STEP 2



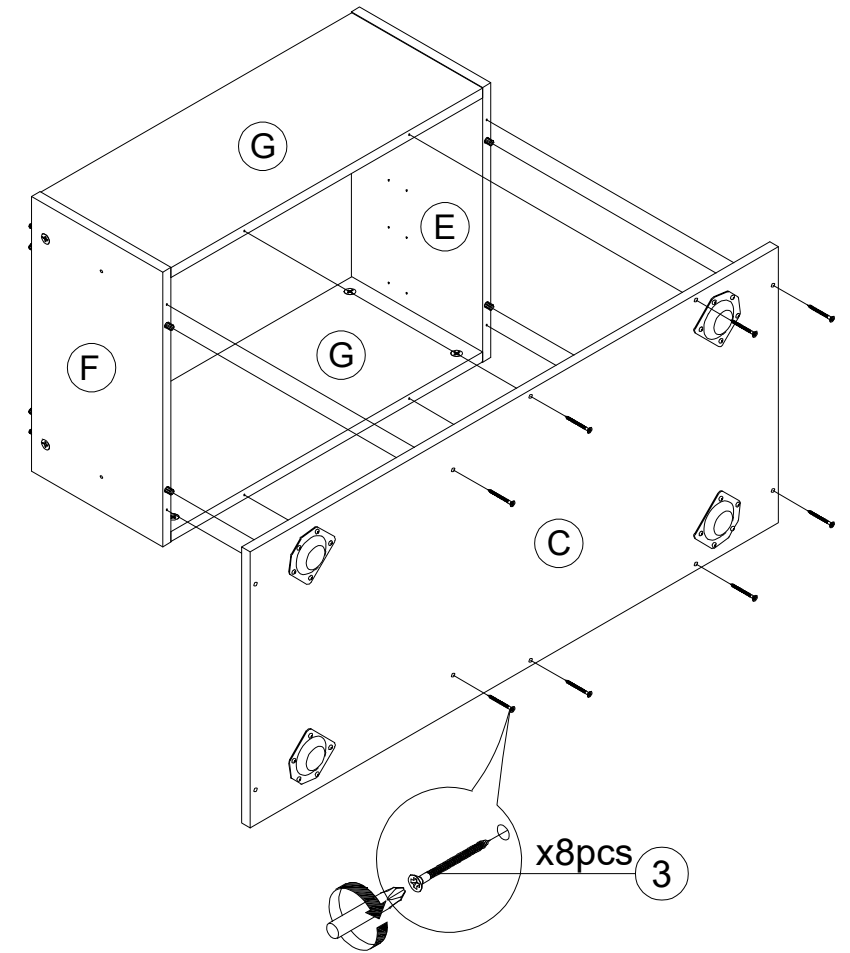
STEP 3

Step 3.1

Step 3.2



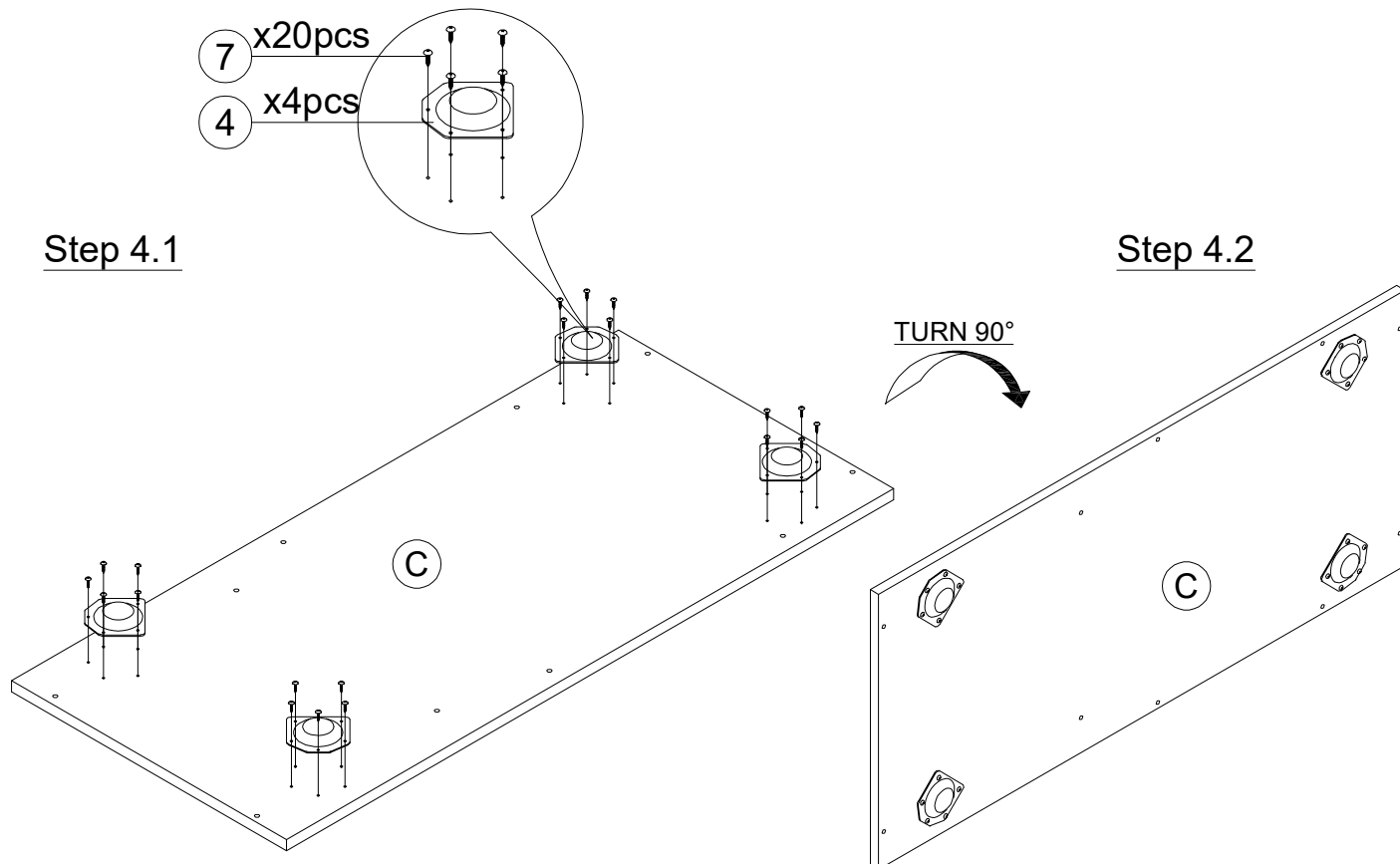
STEP 5



STEP 4

Step 4.1

Step 4.2



STEP 6

Step 6.1

Step 6.2

