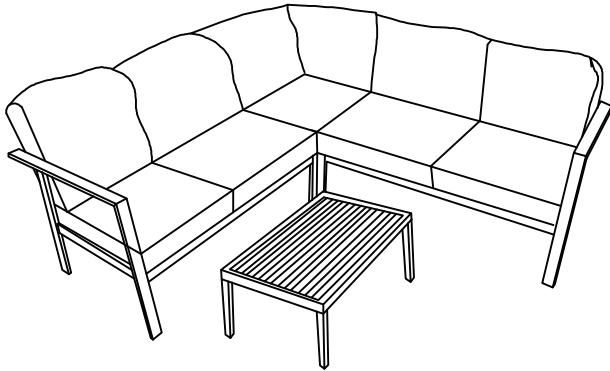


PATIO 4PCS CONVERSATION SET

ASSEMBLY MANUAL

ASSEMBLY INSTRUCTIONS







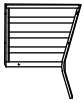




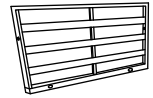
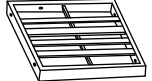
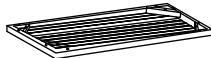

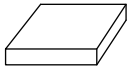


- Prior to assembly, make sure you lay out and identify all the parts listed below in the parts list.
- Tighten all nuts and bolts securely. All bolts should be hand tightened before use. Never use power tools or excessive force during assembly and tightening of bolts.
- Should you experience any difficulty during assembly or if any part is missing or damaged:
Contact our customer service.








Warning:

1. It is recommended to be at least 2 people for a safe assembly of the product.
2. Please remove the pillows and cushions when it is rainy or windy.

Part list

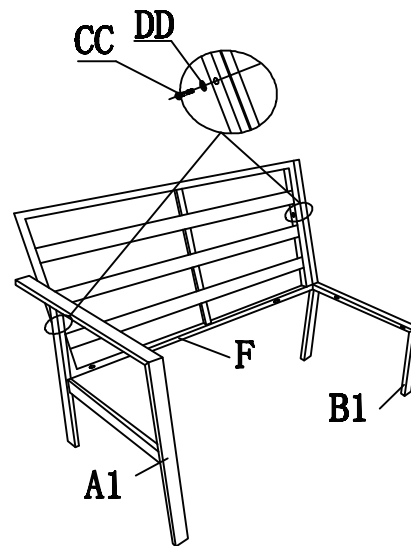
Part	Description	Qty
A1	 Left Arm	1
A2	 Right Arm	1
B1	 Right Leg	1
B2	 Left Leg	1
B3	 Corner Leg	1
C	 Corner Leg	1
D1	 Corner Back	1
D2	 Corner Back	1

Part	Description	Qty
E	 Double Seat	2
F	 Double Back	2
G	 Single Seat	1
H	 Table Top	1
I	 Table Leg	4
J	 Seat Cushion	5
K	 Pillow	4
L	 Corner Pillow	1

Part	Description	Qty
M	 Corner Pillow	1
AA	 M6*18 Bolt	12
BB	 M6*25 Bolt	12
CC	 M6*30 Bolt	15
DD	 M6 Washer	39
EE	 M6 Allen Key	1
W	 Holder	4

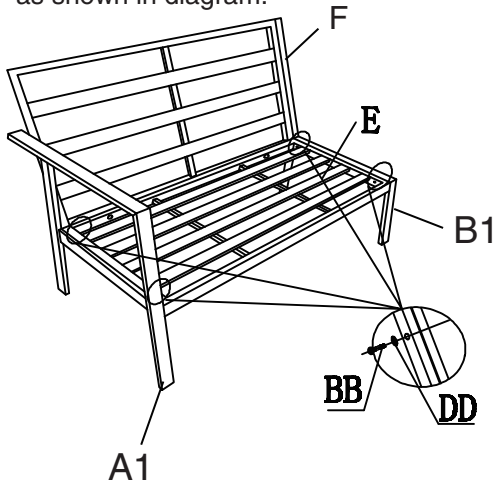
LEFT LOVESEAT

1. Connect Double Back (Part F) with left Arm (Part A1) & Right leg (Part B1) using bolt (CC) and washer (DD) as shown in diagram.

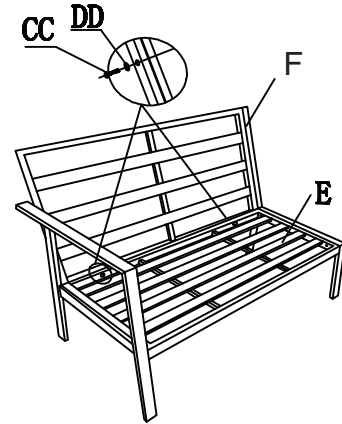


LEFT LOVESEAT

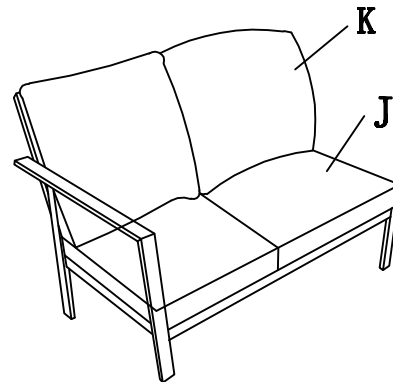
- 3.** Attach Double Seat (Part E) to Left Arm (Part A1) & Right Leg (Part B1) using bolt (BB) and Washer (DD) as shown in diagram.



- 2.** Attach Double Seat (Part E) to Double Back (Part F) using bolt (CC) and Washer (DD) as shown in diagram.

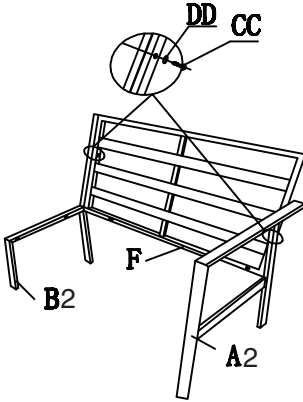


- 4.** Place Cushion (Part J) and Pillow (Part K) on the completed Frame as shown in diagram.

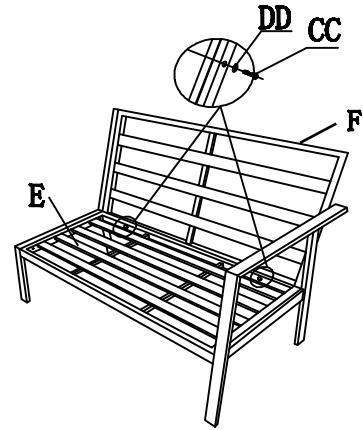


RIGHT LOVESEAT

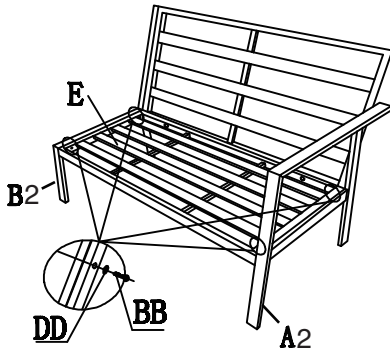
1. Connect Double Back (Part F) with Right Arm (Part A2) & Left leg (Part B2) using bolt (CC) and washer (DD) as shown in diagram.



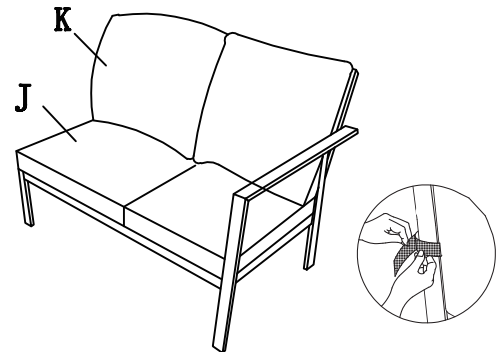
2. Attach Double Seat (Part E) to Double Back (Part F) using bolt (CC) and Washer (DD) as shown in diagram.



3. Attach Double Seat (Part E) to Right Arm (Part A2) & Left Leg (Part B2) using bolt (BB) and Washer (DD) as shown in diagram.

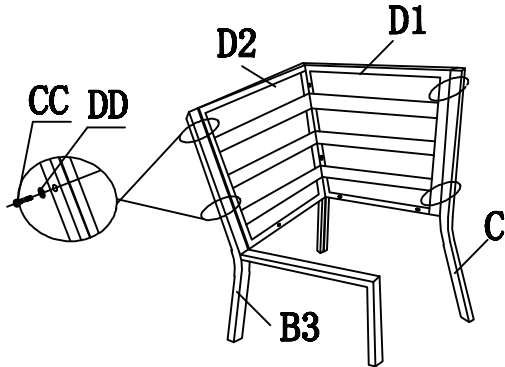


4. Place Cushion (Part J) and Pillow (Part K) on the completed Frame as shown in diagram.

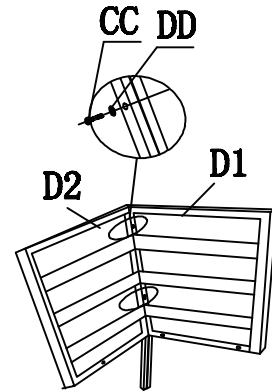


CORNER SEAT

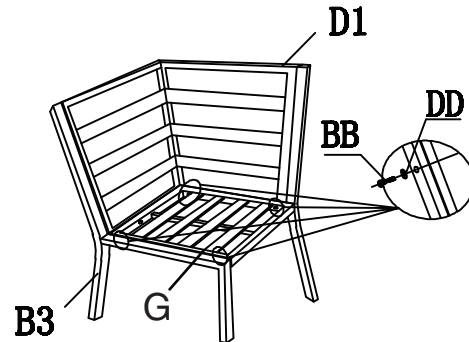
2. Connect Corner Legs (Part B3 & Part C) to Corner Back (Part D2 & Part D1) using bolt (CC) and washer (DD) as shown in diagram.



1. Connect Corner Back (Part D1) to Corner Back (Part D2) using bolt (CC) and washer (DD) as shown in diagram.

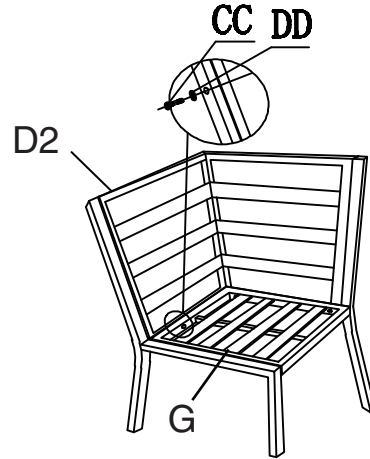


3. Attach Single Seat (Part G) to Corner Back (Part D1) and Corner Leg (Part B3) using bolt (BB) and Washer (DD) as shown in diagram.

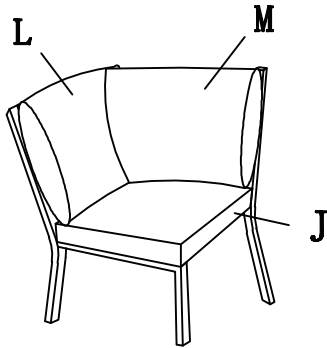


CORNER SEAT

4. Attach Single Seat (Part G) to Corner Back(Part D) using bolt (CC) and Washer (DD) as shown in diagram.

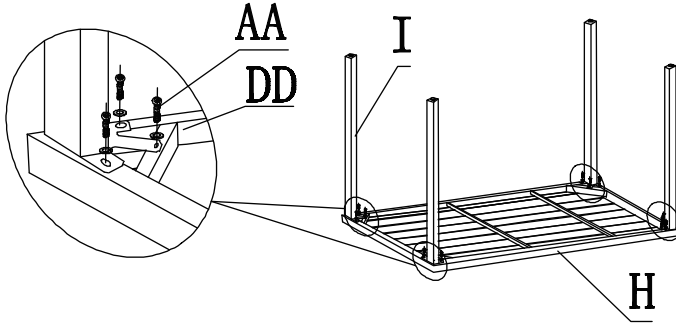


5. Place Cushion(Part J) and Pillow (Part L& Part M) on the completed Frame as shown in diagram.

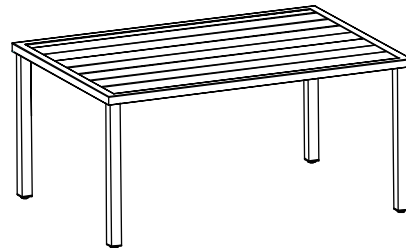


TABLE

1. Connect Table Leg (Part I) to Table Top (Part H) using bolt (AA) and washer (DD) as shown in diagram.

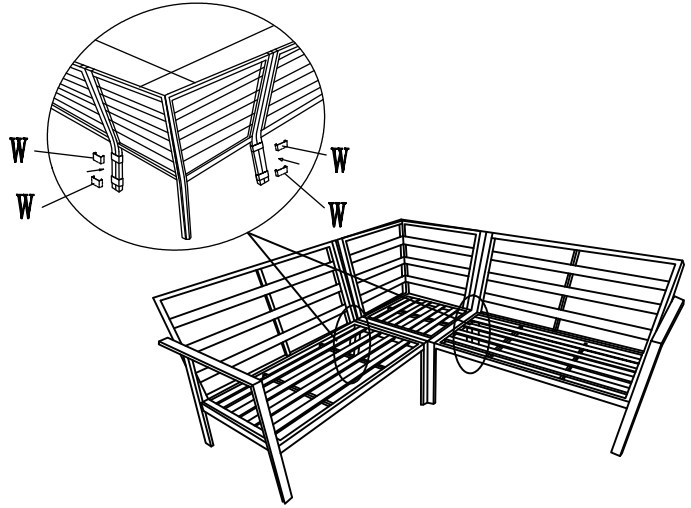


2. Tighten all the bolt, Rotate the table to the upright position on the solid level ground.



WHOLE SET

1. Fix Separate Legs to avoid removing using Holder (Part W) as shown in diagram.



2. Finally, tighten all bolts scurely before using.

