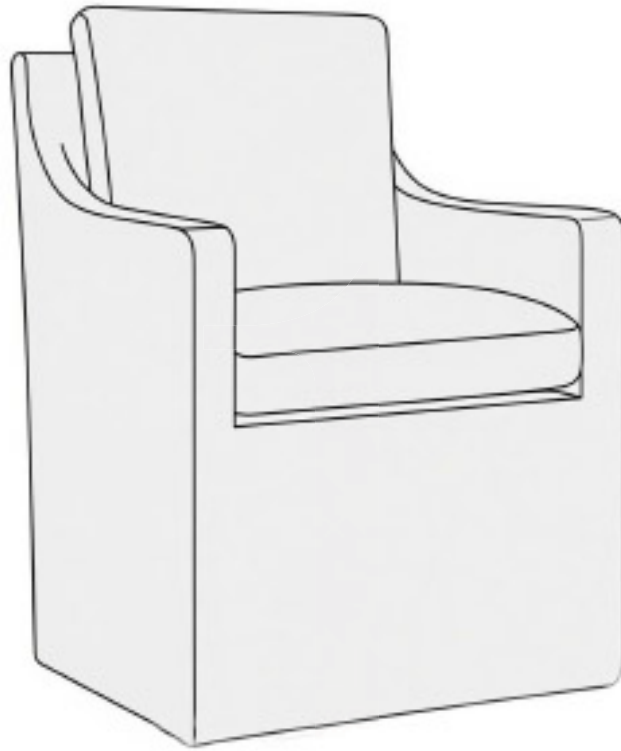


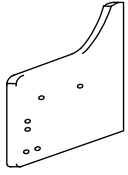
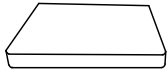
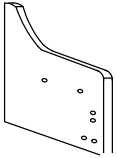


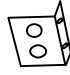

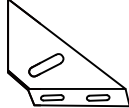



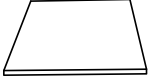
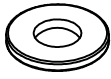
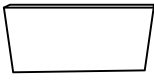

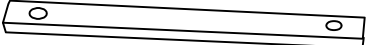
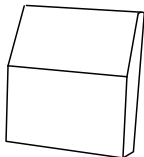

# Assembly & Care instructions



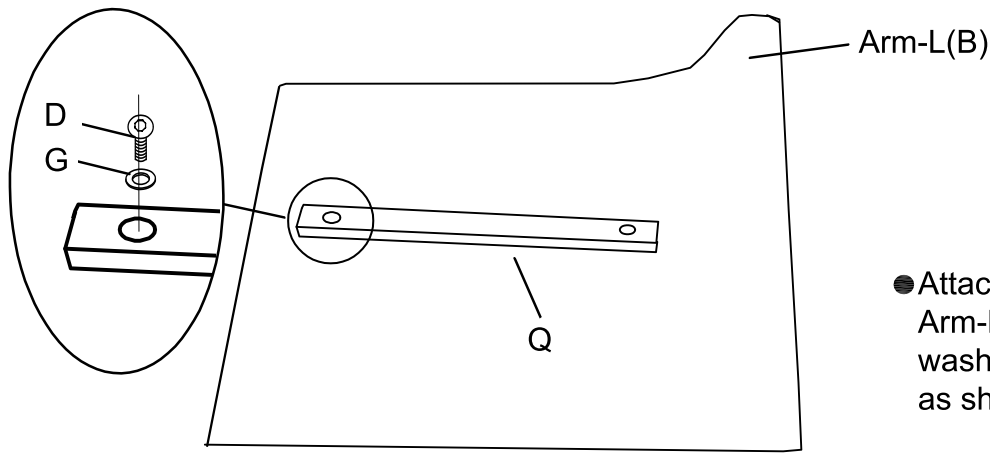
## Warning

1. Pls confirm all parts correct before assemble.
2. Do not tighten fastening fully until assembly is completed.
3. **DO NOT USE POWER TOOLS.** Power tools can overtighten screws and strip threads.
4. Please read & retain this manual for future reference .

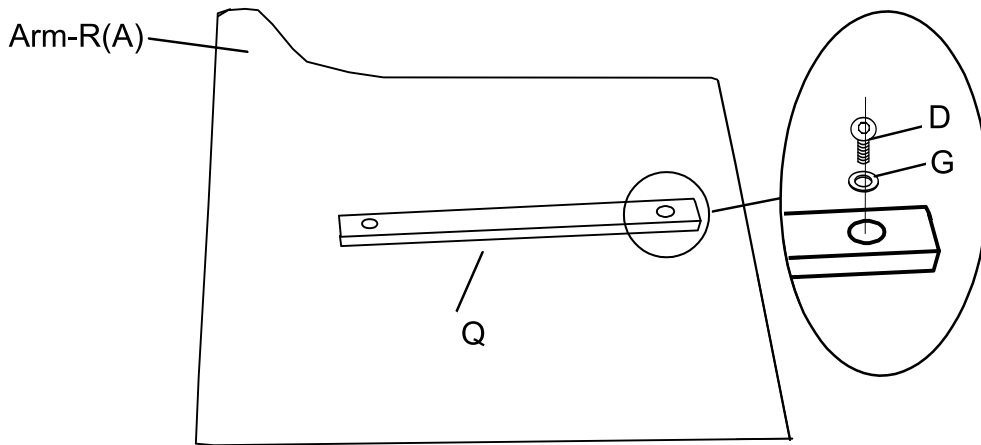
# PARTS LIST

CODE	PARTS	QTY.	CODE	PARTS	QTY.
A	 Arm-R	1 PC	J	 Seat Cushion	1 PC
B	 Arm-L	1PC	K	 Back Cushion	1 PC
C	 M6*65mm	6PCs	L	 L-shape Bracket	2 PCS
D	 M6*55mm	4PCs	M	 Corner Connector	2 PCS
E	 M6*40mm	8PCs	N	 Seat Panel	1 PC
F	 M6*15mm	8PCs	O	 Bottom Storage Panel	1 PC
G	 Washer	26PCs	P	 Front Panel	1 PC
H	 Allen Key	1PC	Q	 Seat Panel Support	2 PCS
I	 Back	1PC	X	 Wheel	4 PCS

**ATTENTION: Put all bolts into the hole then full tight together**

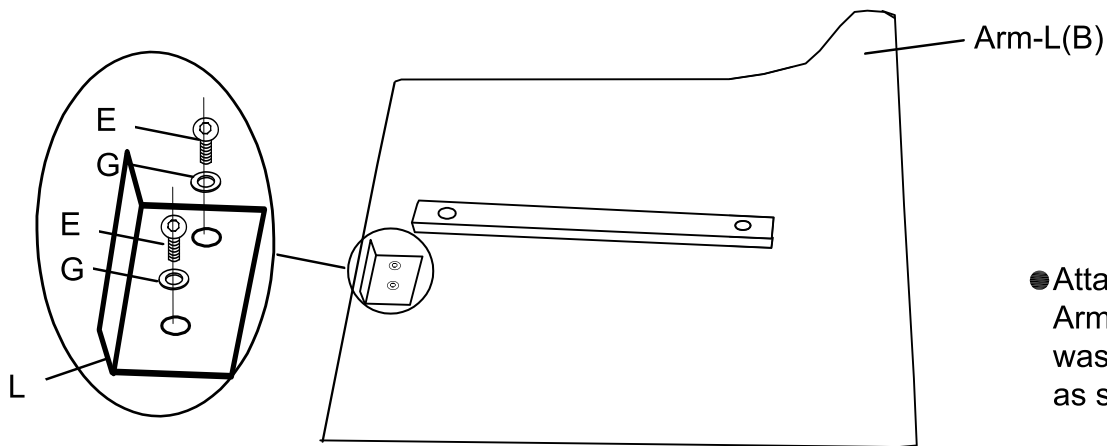


● Attach Seat Panel Support(Q) to Arm-L(B) with 2 bolts(D) and 2 washers(G) using Allen Key(H) as shown

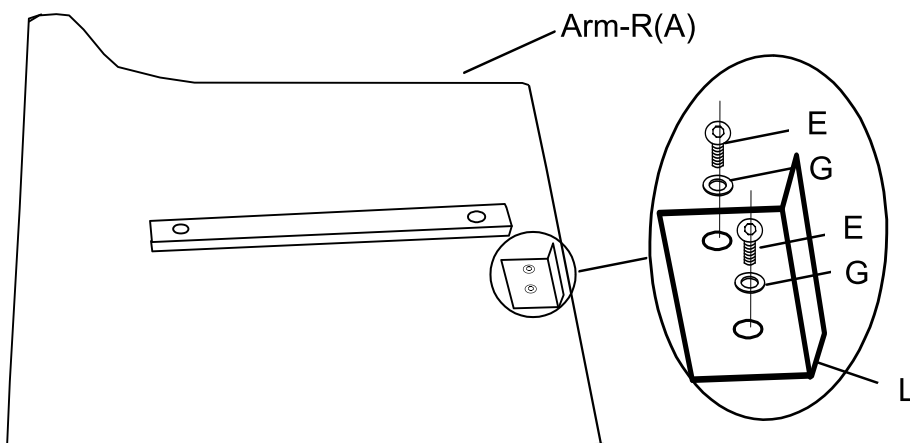


● Attach Seat Panel Support(Q) to Arm-R(A) with 2 bolts(D) and 2 washers(G) using Allen Key(H) as shown

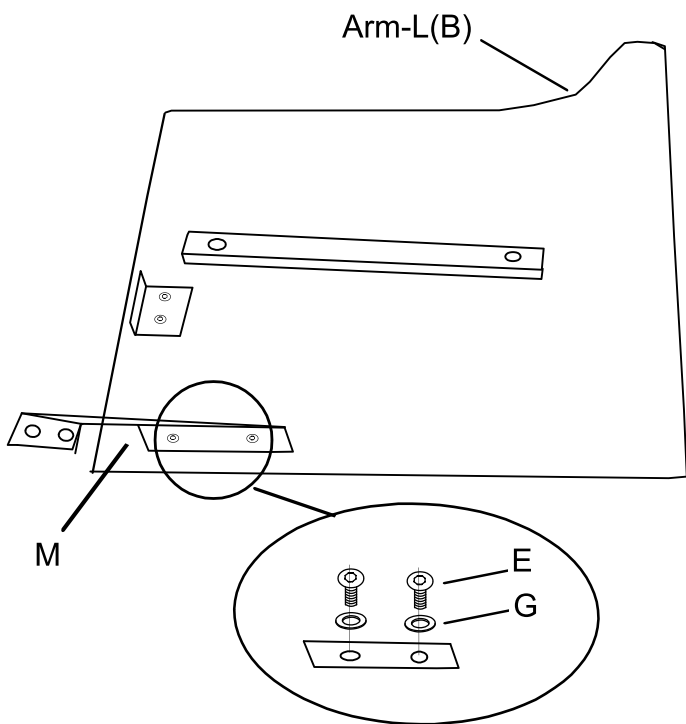
**ATTENTION: Start from this step, do not fully tighten until assembly is complete!**



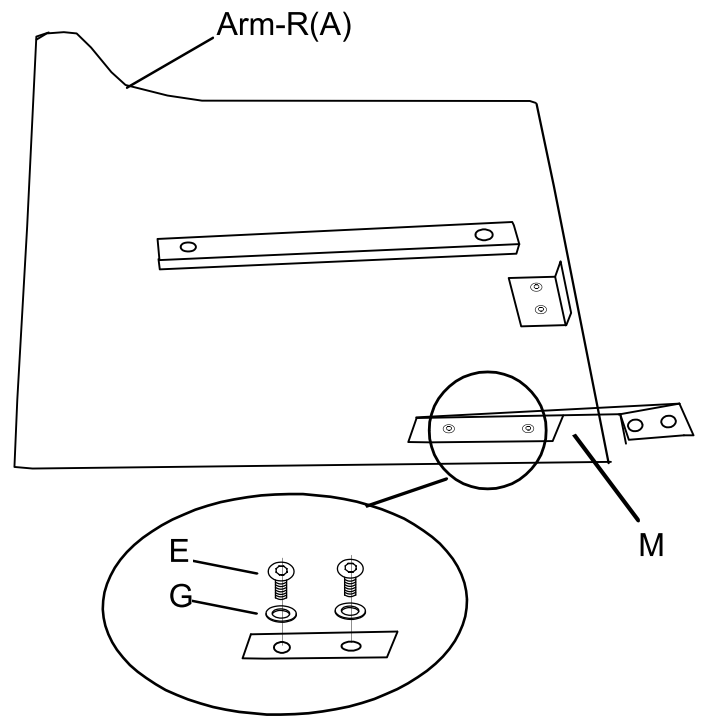
● Attach L-shape Bracket(L) to Arm-L(B) with 2 bolts(E) and 2 washers(G) using Allen Key(H) as shown



● Attach L-shape Bracket(L) to Arm-R(A) with 2 bolts(E) and 2 washers(G) using Allen Key(H) as shown

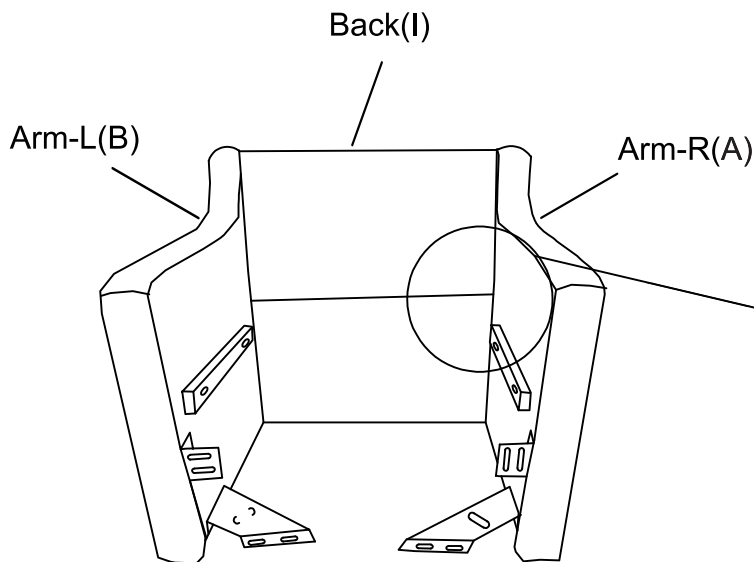


● Attach Corner Connector(M) to Arm-L(B) with 2 bolts(E) and 2 washers(G) using Allen Key(H) as shown

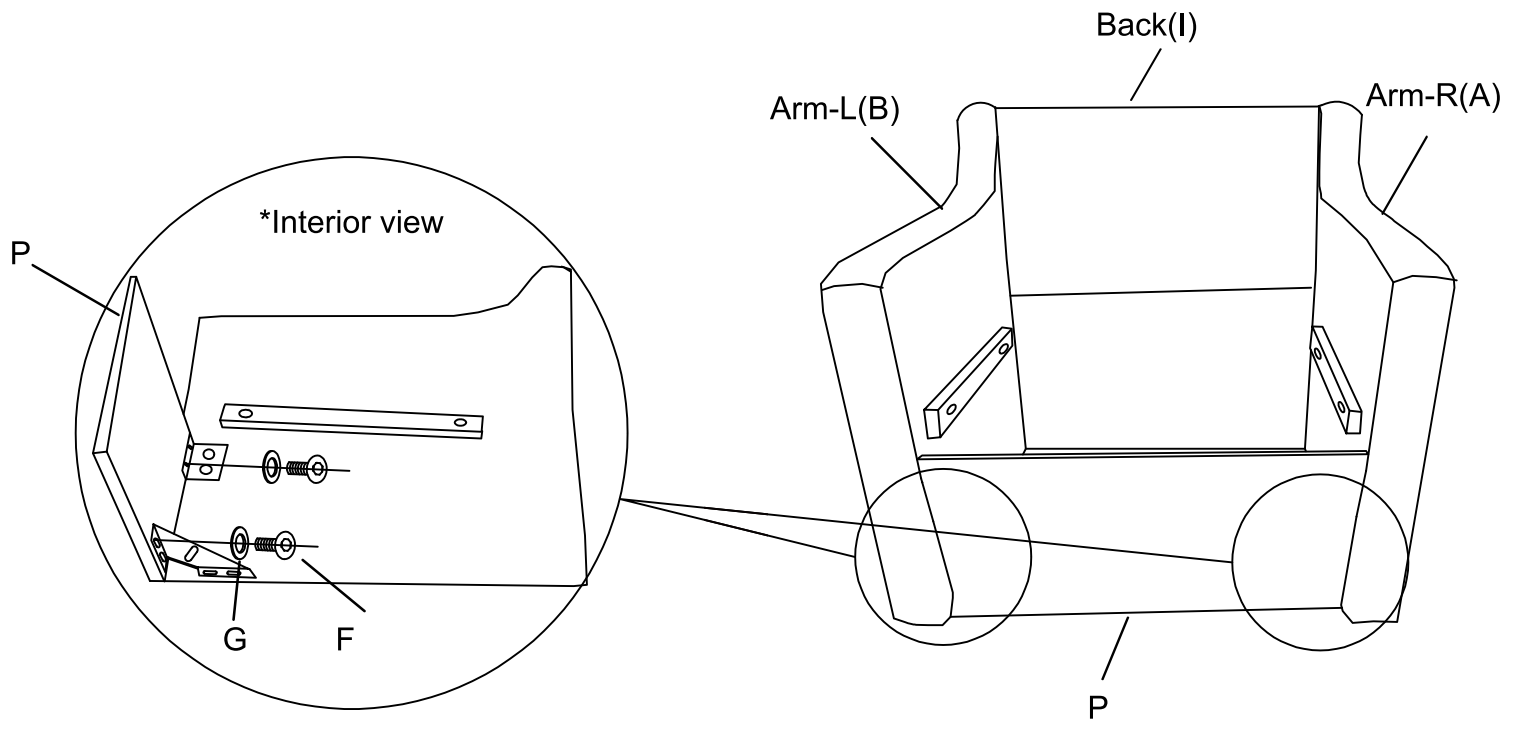


● Attach Corner Connector(M) to Arm-R(A) with 2 bolts(E) and 2 washers(G) using Allen Key(H) as shown

\*Note: The function of part M is to support the bottom storage panel, so its flat surface should face upward.

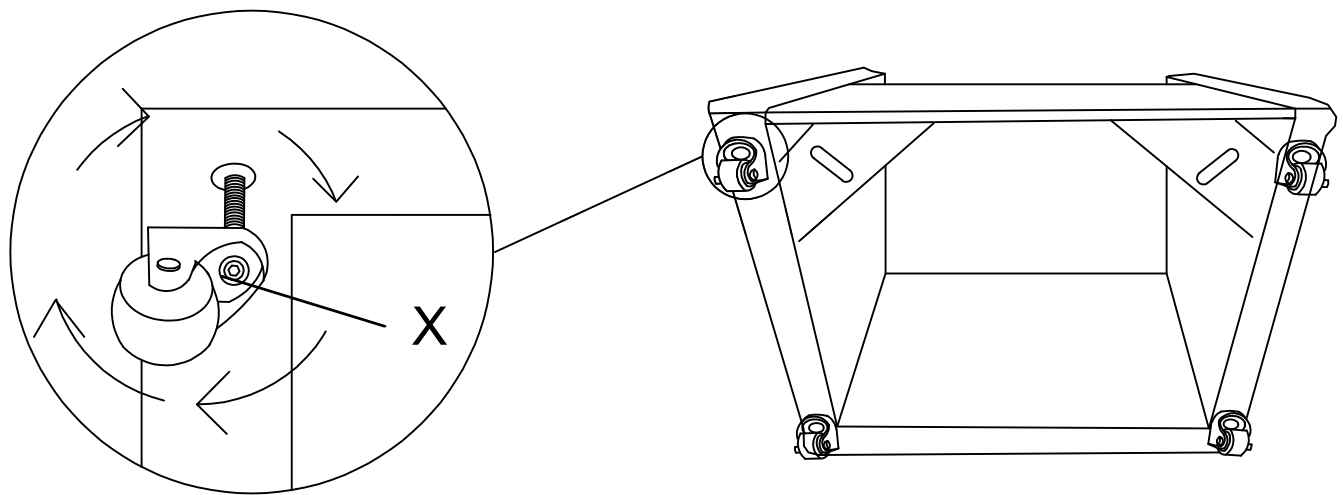


● Attach Arm-L(B)&Arm-R(A) to Back(I), screw at outside with 6 bolts(C) and 6 washers(G) using Allen Key(H) as shown



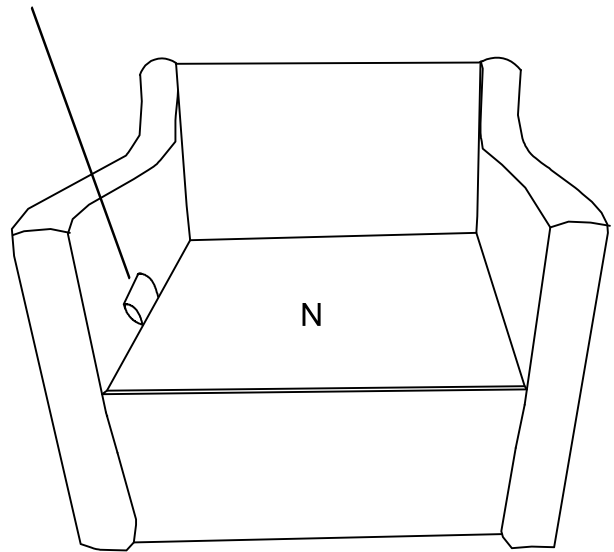
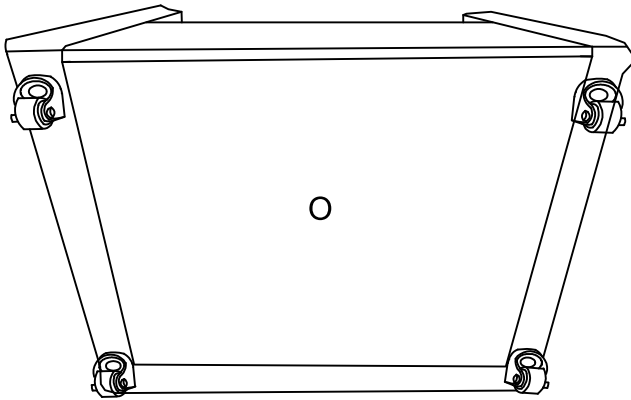
● Attach Front Panel(P) to Arm-L(B)&Arm-R(A), screw at inside with 8 bolts(F) and 8 washers(G) using Allen Key(H) as shown

● Full tight for all screws

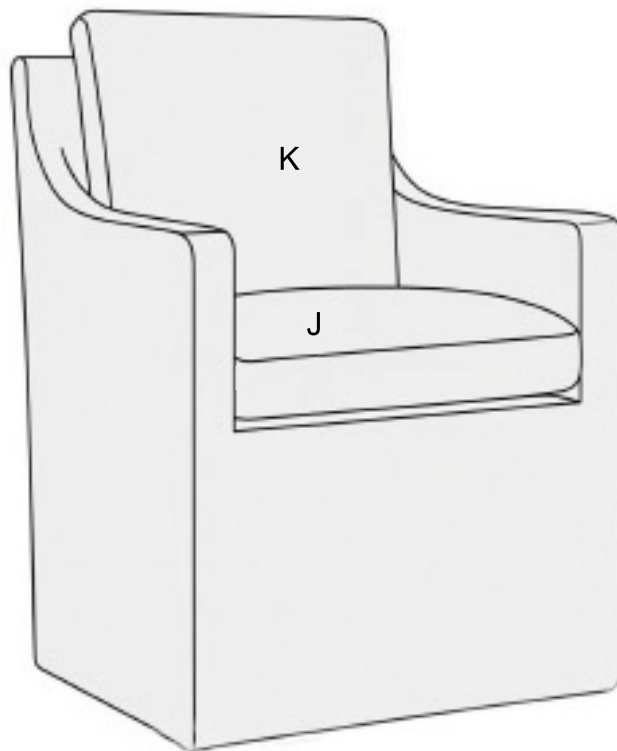


● Attach all Wheels(X) at bottom of chair.Or you can use as a stationary chair without wheels

**\*Note: The handle on seat should towards to armrest side.**



● Put Storage Panel(O) at bottom and Seat Panel(N) .



● Cover whole chair with Slip Cover, and put on Seat Cushion(J) and Back Cushion(K);  
The zipper of cover is located at the bottom of the backrest.