



42 GREENE STREET LL NEW YORK NY 10013  
T 212.355.0625 F 212.355.0628 WWW.OASIQ.US



---

**DIUNA Foot Stool**

W 23 1/4" D 18 1/8" H 20"

SH 16 3/4"

CH 1" (optional) OSH 17 3/4"

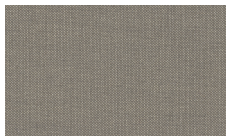
14.3 lbs Teak

---

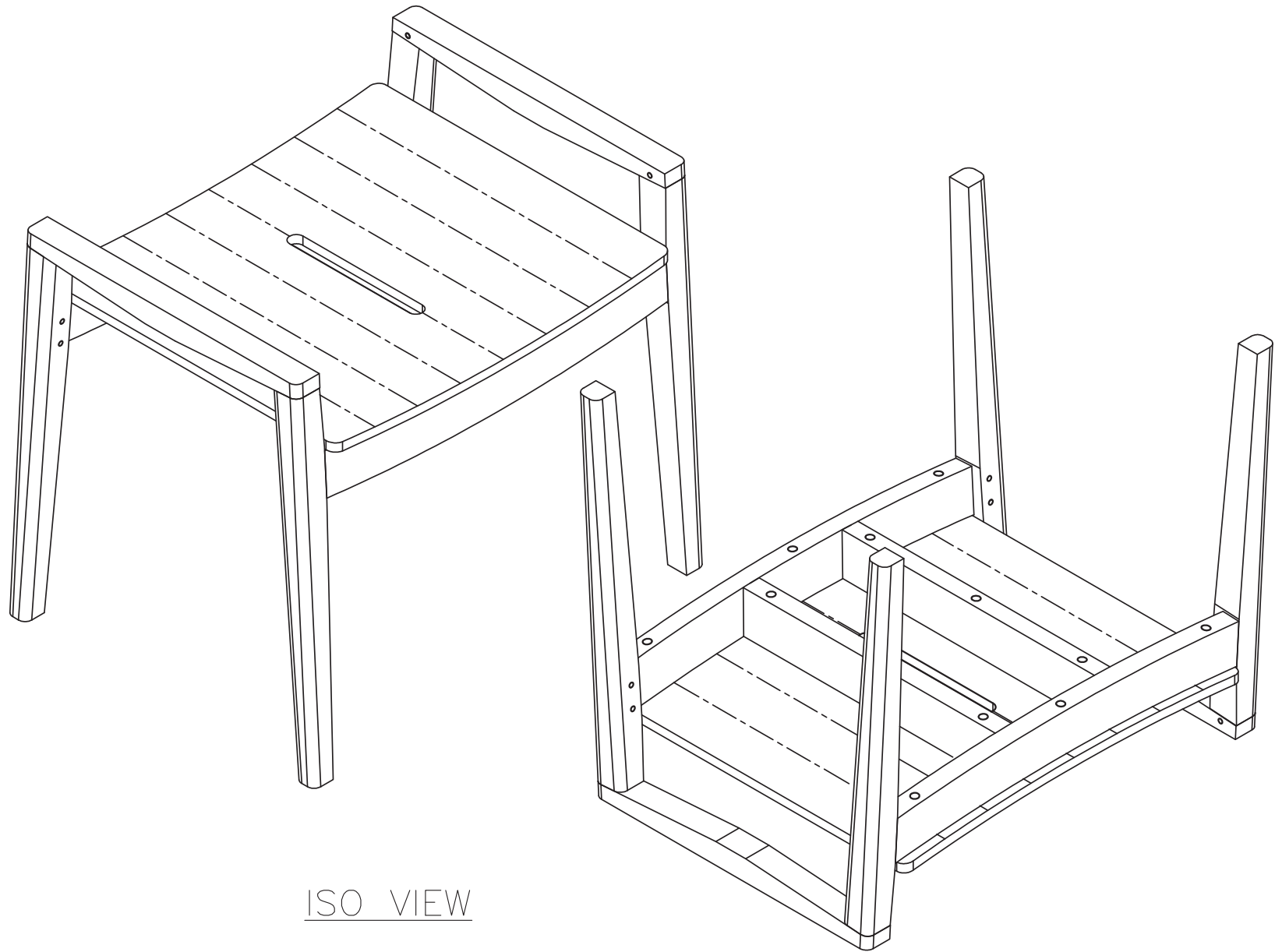
**DIUNA:CUSHION FABRICS**



Canvas Natural



Lantern Slate



ISO VIEW

ISO

**OASIQ**

DWG.NO: FAE0A7-8

TITLE : ISO VIEW

DIM EXT: 591.2x464.5x514 MM.

MATERIAL: TEAK

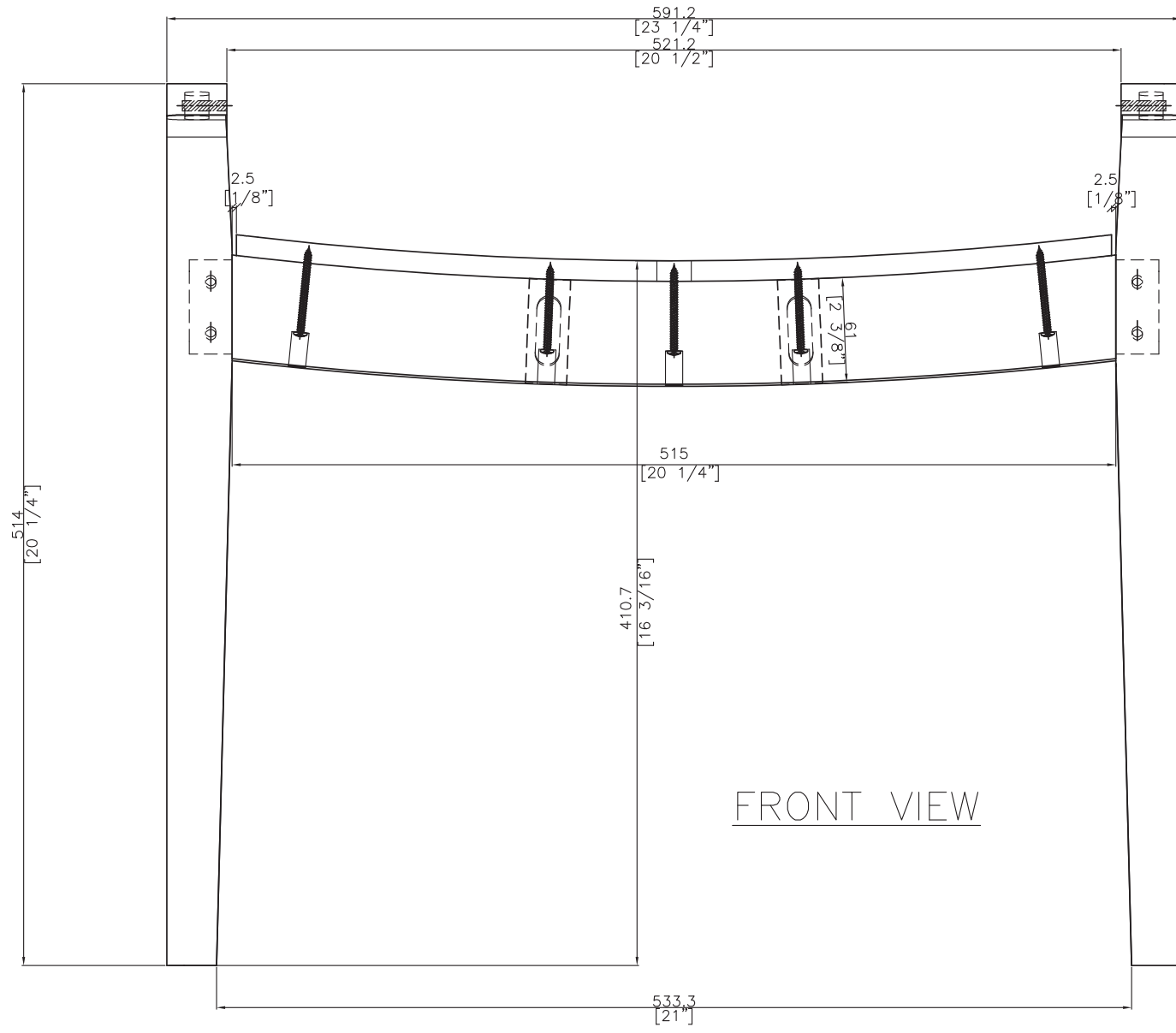
DRAWN BY : SARANYA

FINISH DATE : 25-11-14  
BEGIN DATE : 13-02-14

JACK  
KHAN

SCALE : 1:1

P. 3



FRONT VIEW

EF

**OASIQ**

DWG.NO: FAE0A7-8

TITLE : FRONT VIEW

DIM EXT: 591.2x464.5x514 MM.

MATERIAL: TEAK

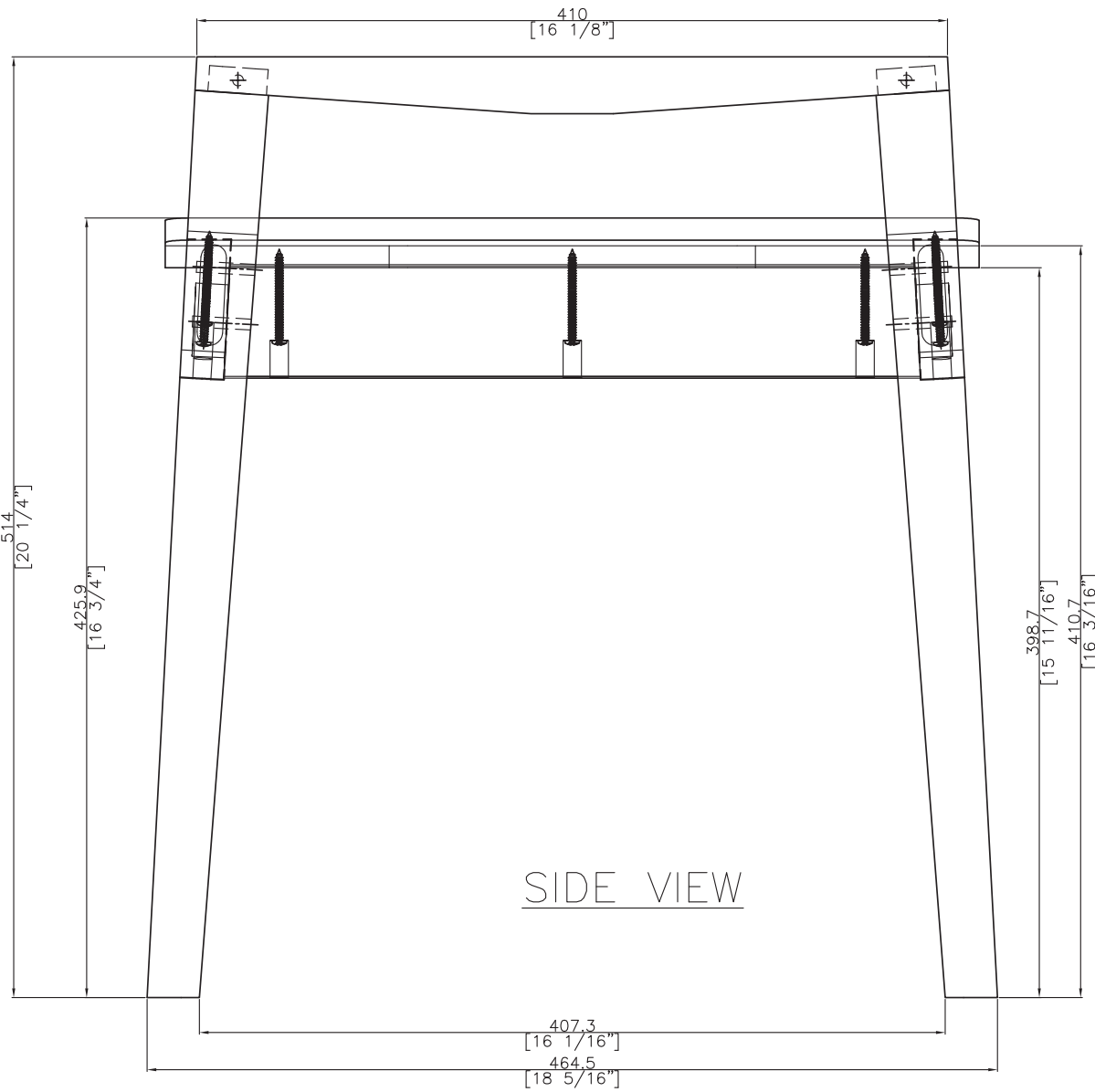
DRAWN BY : SARANYA

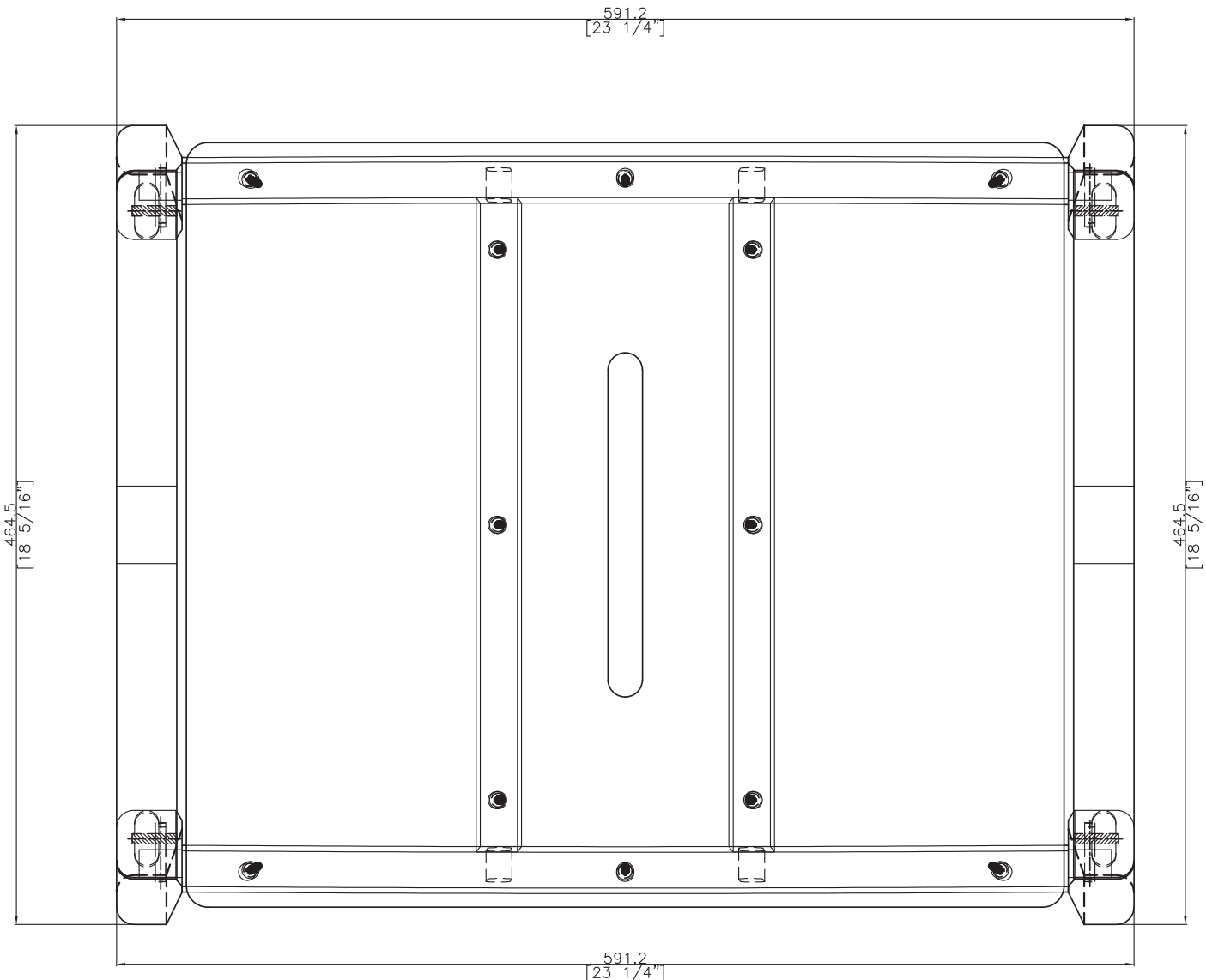
FINISH DATE : 25-11-14  
 BEGIN DATE : 13-02-14

JACK  
 KHAN

SCALE : 1:1

P. 5





TOP VIEW

<b>OASIQ</b>	DWG.NO: FAE0A7-8	TITLE : TOP VIEW	DIM EXT: 591.2x464.5x514 MM.	MATERIAL: TEAK	DRAWN BY : SARANYA	FINISH DATE : 25-11-14	JACK	SCALE : 1:1	P. 4
						BEGIN DATE : 13-02-14	KHAN		

ET