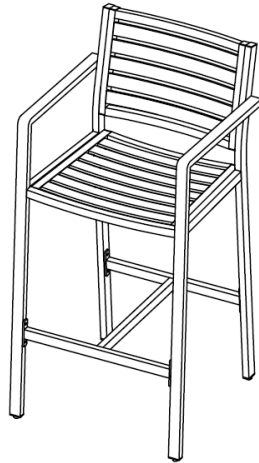


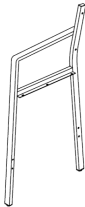
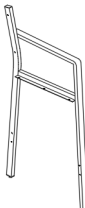
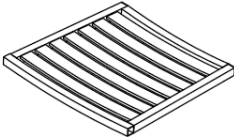
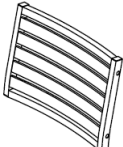
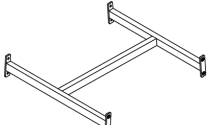
# Assembly Instructions

**Caution : You must read this before you proceed**





## Barstool



### Parts List

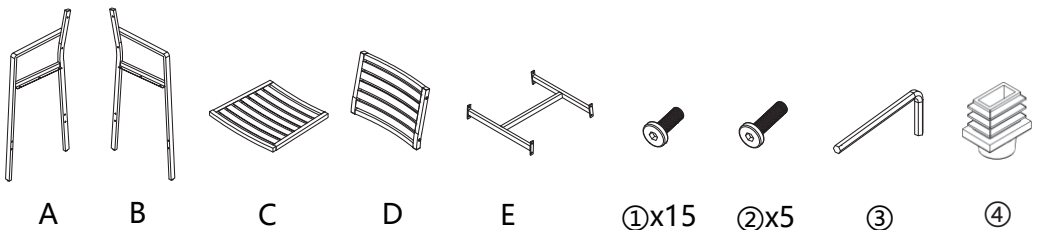
Label	Picture	Description	QTY
A		Left Leg	1
B		Right Leg	1
C		Seat	1
D		Backrest	1
E		Footrest	1

# Hardware

Label	Picture	Description	QTY
①		Bolt (M6*20MM)	15
②		Bolt (M6*35MM)	5
③		Allen wrench	1
④		Plastic stopper	1

# Assembly Preparation

Before Beginning Assembly:



- Read instructions, cover to cover-



- Have 2 adults on hand for assembly-



- Do not assemble on flooring or carpet-



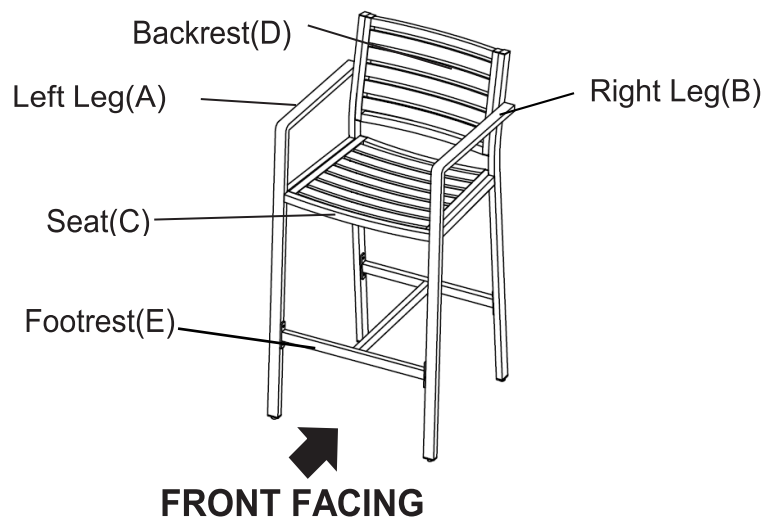
- Assemble on a clean non-marring surface (packing foam)-



- Save all packaging until finished-

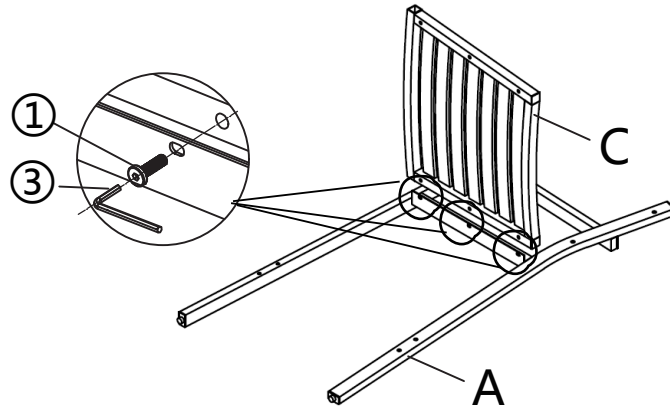
# Assembly Steps

## Overview



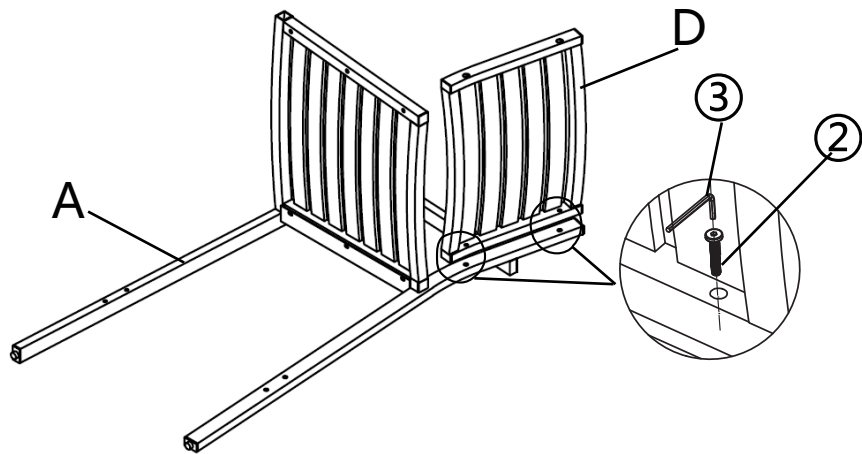
This Barstool has multiple parts and may require up to 30 minutes to assemble. To give you an overview of the Table parts, the above picture is to help you put the various parts into perspective. Please read through the instructions below to familiarise yourself with the parts and steps before assembly.

### Step 1



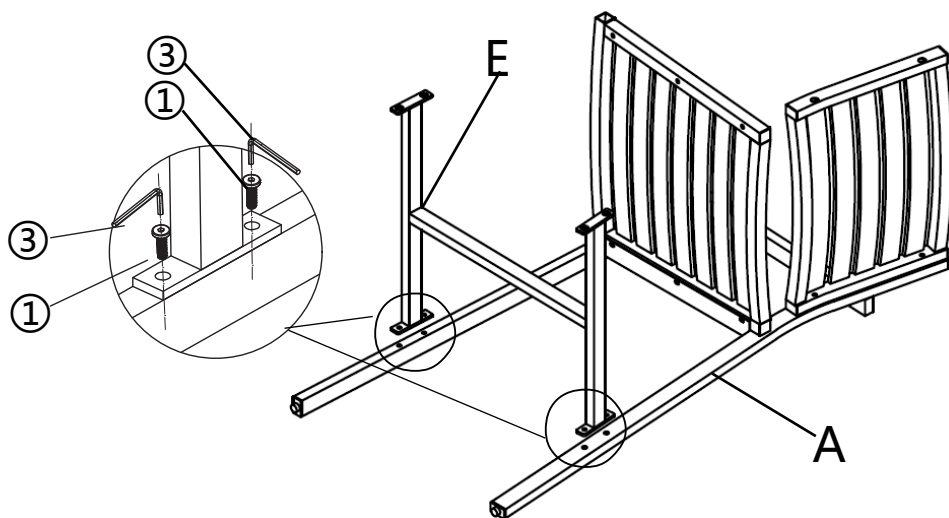
Open the carton and place all the parts onto a clean, non-marring surface.  
Attach the Left Leg ( A ) to Seat ( C ) using Bolts ( ① ) with Allen wrench ( ③ ) as shown above .  
**Do not fully tighten the Bolts.**

### Step 2



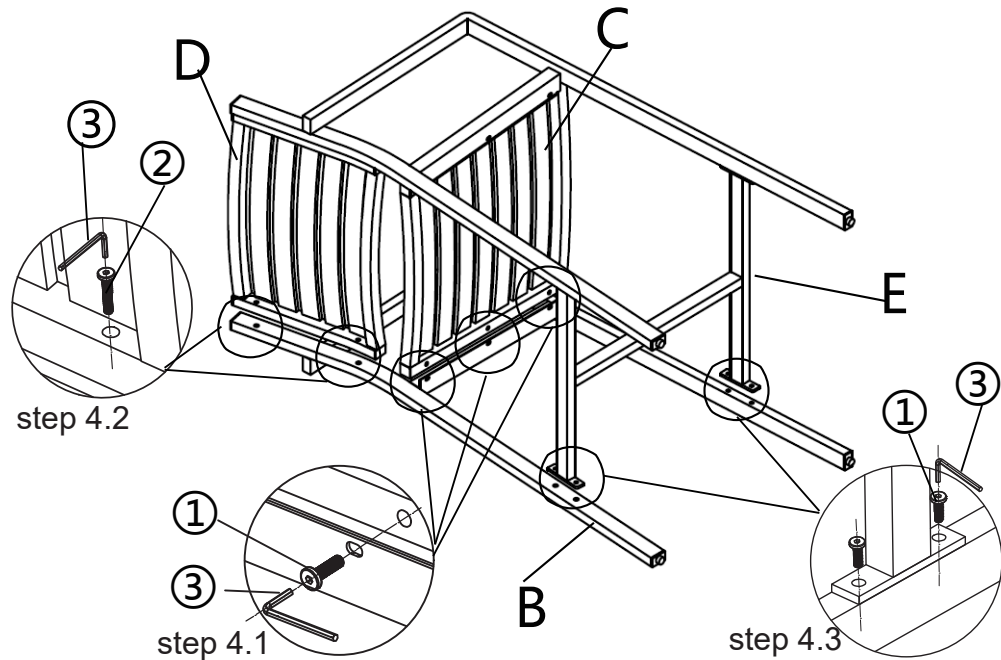
Attach the Left Leg ( A ) to Backrest ( D ) using Bolts ( ② ) with Allen wrench ( ③ ) as shown above .  
**Do not fully tighten the Bolts.**

### Step 3



Attach the Left Leg ( A ) to Footrest ( E ) using Bolts ( ① ) with Allen wrench ( ③ ) as shown above .  
**Do not fully tighten the Bolts.**

## Step 4



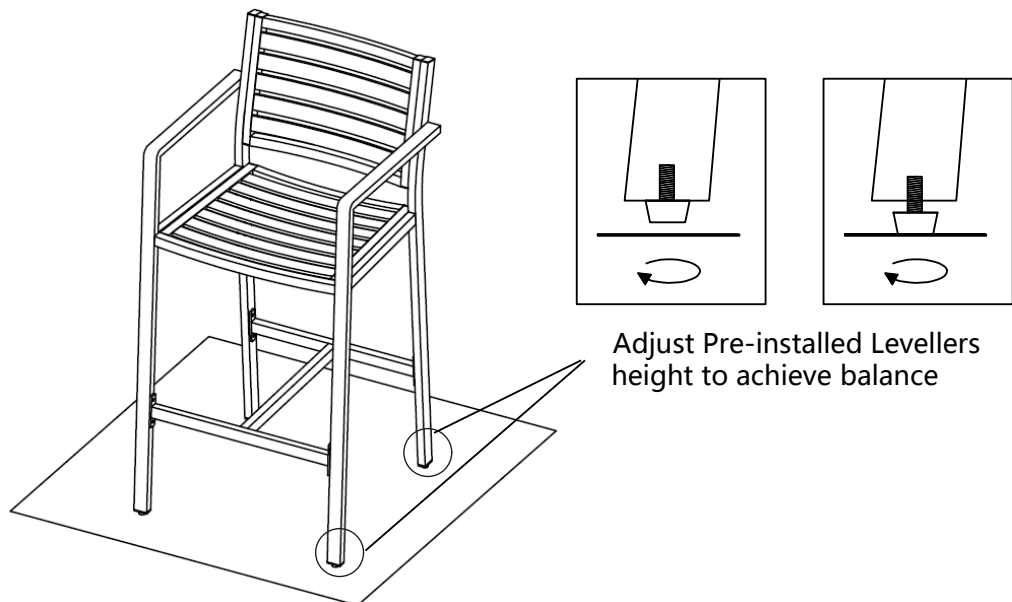
Step4.1 Attach the Right Leg( B ) to Seat( C ) using Bolts(① ) with Allen wrench(③) as shown above .

Step4.2 Attach the Right Leg( B ) to Backrest( D ) using Bolts(②) with Allen wrench(③) as shown above .

Step4.3 Attach the Right Leg( B ) to Footrest( E ) using Bolts(① ) with Allen wrench(③) as shown above .

**Do not fully tighten the Bolts.**

## Step 5



Adjust Pre-installed Levelers height to achieve balance

Stand the Barstool up and check for stability.





















Then proceed to tighten all Bolts at all joints.

**Note: DO NOT fully tighten a BOLT in one go and then move on to the next. Rather, in a sequential manner, gradually tighten each Bolt until all bolts are evenly secured. This methodology will ensure maximum evenness once all Bolts are fully tightened.**

Your Barstool is ready for use.

**This Barstool can only be used on a flat and level surface.**

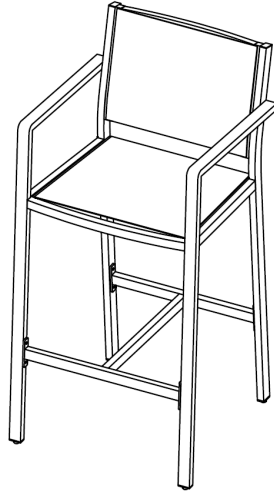
## Care & Maintenance

-   ● Do not put hot items directly on furniture surface
  -   ● Do not clean furniture with harsh cleansers or polish.
  -   ● To obtain the longest lifespan of your outdoor products, minimizing exposure to direct sunlight is recommended.
  -   ● Children should not climb or jump on the furniture.
  -   ● Do not write on furniture without a padded barrier to protect the surface.
  -   ● To obtain the longest lifespan of your outdoor products, avoid extended and lengthy exposure to rain, snow, and direct sunshine. Whenever possible cover the product and /or place under patio or awnings.
  -   ● Not for commercial use. For residential use only .
  -   ● Stains may be removed with mild soap solution and damp cloth.
  -   ● Keep away from sources of ignition.
- 
-   ● Dust and pick-up spills using a clean, non-colored, lint-free cloth.

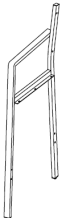

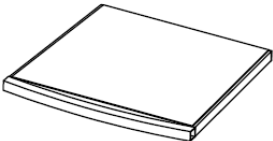
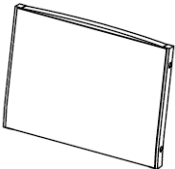
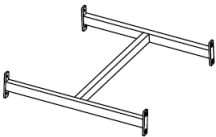
# Assembly Instructions

**Caution : You must read this before you proceed**

## Barstool



### Parts List

Label	Picture	Description	QTY
A		Left Leg	1
B		Right Leg	1
C		Seat	1
D		Backrest	1
E		Footrest	1

# Hardware

Label	Picture	Description	QTY
①		Bolt (M6*15MM)	7
②		Bolt (M6*20MM)	9
③		Bolt (M6*35MM)	5
④		Allen Wrench	1
⑤		Plastic stopper	1

# Assembly Preparation

Before Beginning Assembly:					
	① x 7	② x 9	③ x 5	④	⑤



- Read instructions, cover to cover-



- Have 2 adults on hand for assembly-



- Do not assemble on flooring or carpet-



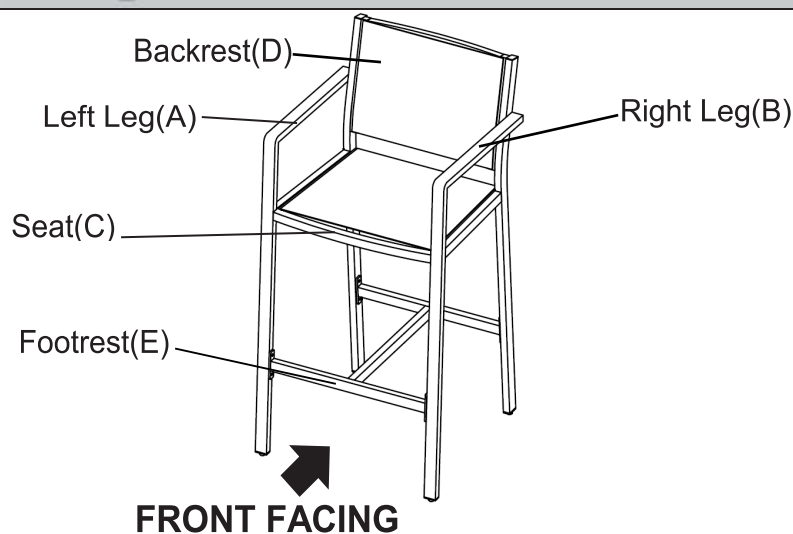
- Assemble on a clean non-marring surface (packing foam)-



- Save all packaging until finished-

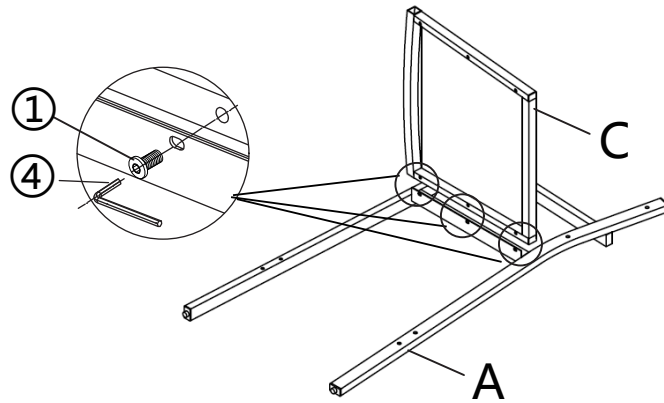
# Assembly Steps

## Overview



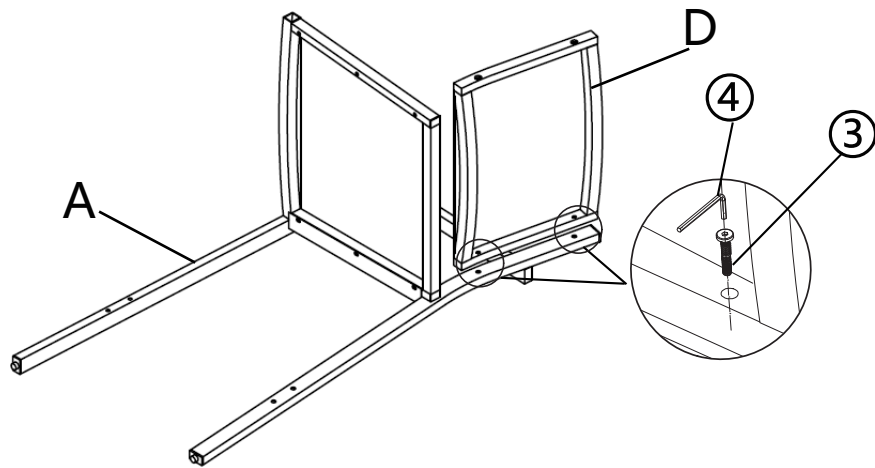
This Barstool has multiple parts and may require up to 30 minutes to assemble. To give you an overview of the Table parts, the above picture is to help you put the various parts into perspective. Please read through the instructions below to familiarise yourself with the parts and steps before assembly.

### Step 1



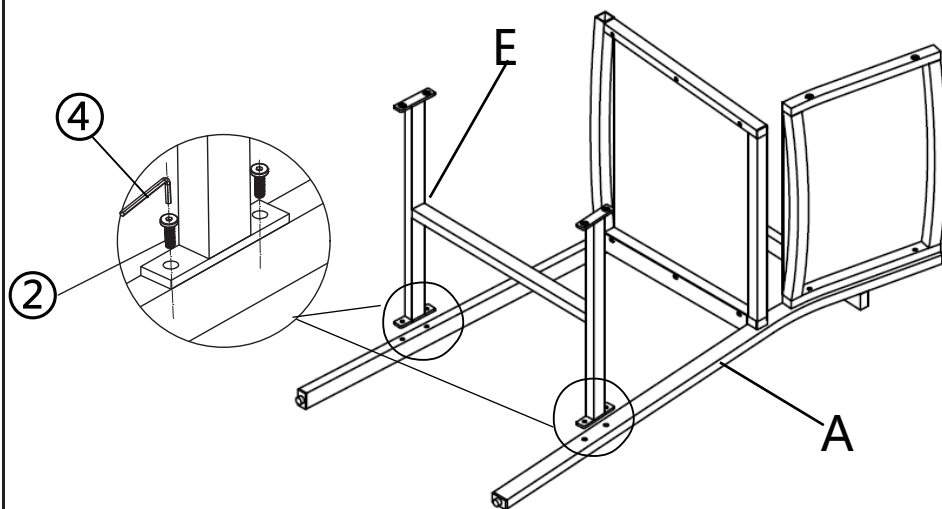
Open the carton and place all the parts onto a clean, non-marring surface.  
Attach the Left Leg( A ) to Seat( C ) using Bolts(①) with Allen wrench(④) as shown above .  
**Do not fully tighten the Bolts.**

### Step 2



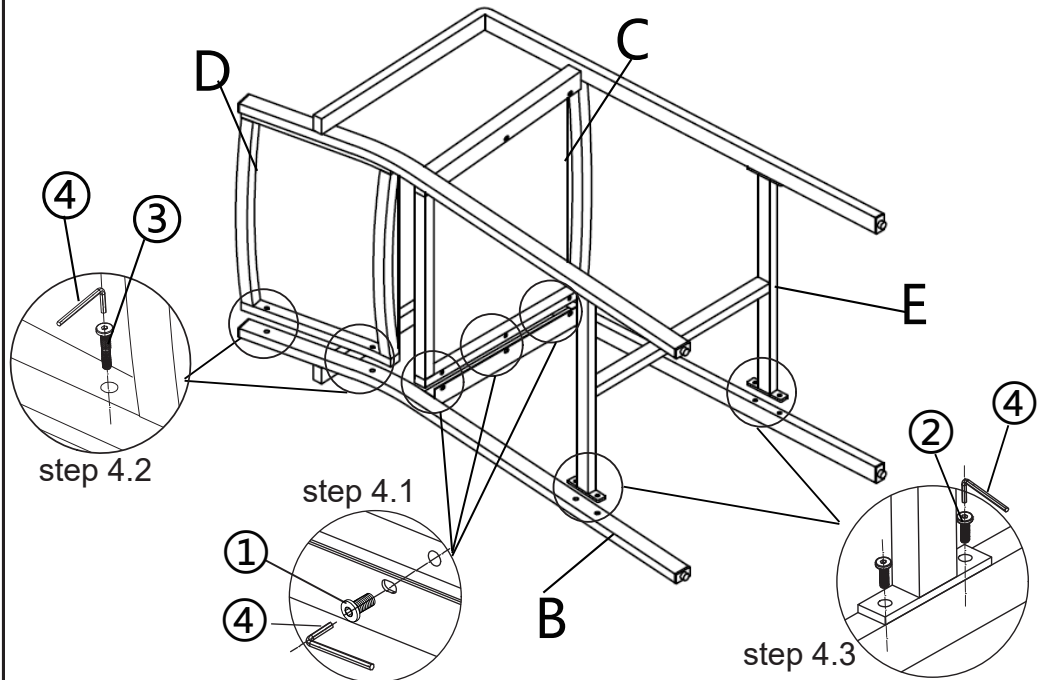
Attach the Left Leg( A ) to Backrest( D ) using Bolts(③) with Allen wrench(④) as shown above .  
**Do not fully tighten the Bolts.**

### Step 3



Attach the Left Leg( A ) to Footrest( E ) using Bolts( ②) with Allen wrench(④) as shown above .  
**Do not fully tighten the Bolts.**

## Step 4



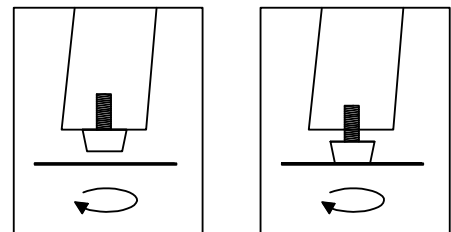
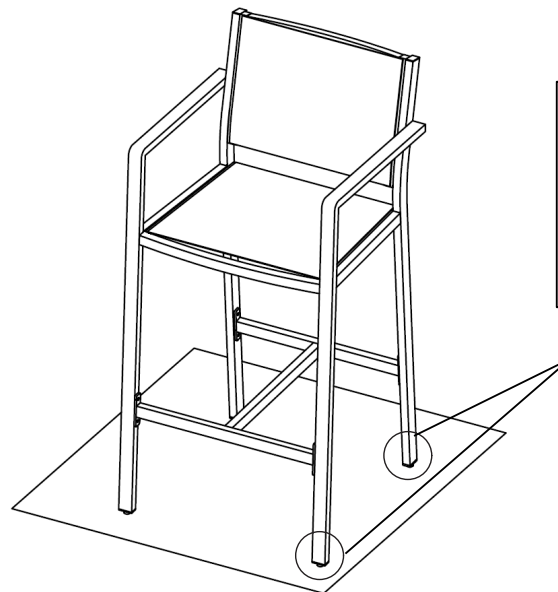
Step4.1 Attach the Right Leg ( B ) to Seat( C ) using Bolts(① ) with Allen wrench(④) as shown above .

Step4.2 Attach the Right Leg( B ) to Backrest( D ) using Bolts(③) with Allen wrench(④) as shown above .

Step4.3 Attach the Right Leg( B ) to Footrest( E ) using Bolts(② ) with Allen wrench(④) as shown above .

**Do not fully tighten the Bolts.**

## Step 5



Adjust Pre-installed Levelers height to achieve balance

Stand the Barstool up and check for stability.





















Then proceed to tighten all Bolts at all joints.

**Note: DO NOT fully tighten a BOLT in one go and then move on to the next. Rather, in a sequential manner, gradually tighten each Bolt until all bolts are evenly secured. This methodology will ensure maximum evenness once all Bolts are fully tightened.**

Your Barstool is ready for use.

**This Barstool can only be used on a flat and level surface.**

## Care & Maintenance

-   ● Do not put hot items directly on furniture surface
  -   ● Do not clean furniture with harsh cleansers or polish.
  -   ● To obtain the longest lifespan of your outdoor products, minimizing exposure to direct sunlight is recommended.
  -   ● Children should not climb or jump on the furniture.
  -   ● Do not write on furniture without a padded barrier to protect the surface.
  -   ● To obtain the longest lifespan of your outdoor products, avoid extended and lengthy exposure to rain, snow, and direct sunshine. Whenever possible cover the product and /or place under patio or awnings.
  -   ● Not for commercial use. For residential use only .
  -   ● Stains may be removed with mild soap solution and damp cloth.
  -   ● Keep away from sources of ignition.
- 
-   ● Dust and pick-up spills using a clean, non-colored, lint-free cloth.