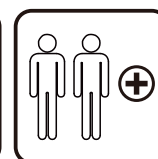
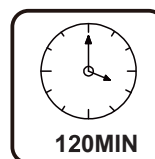
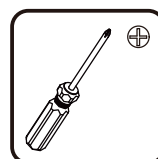
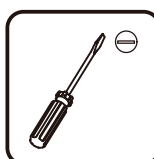
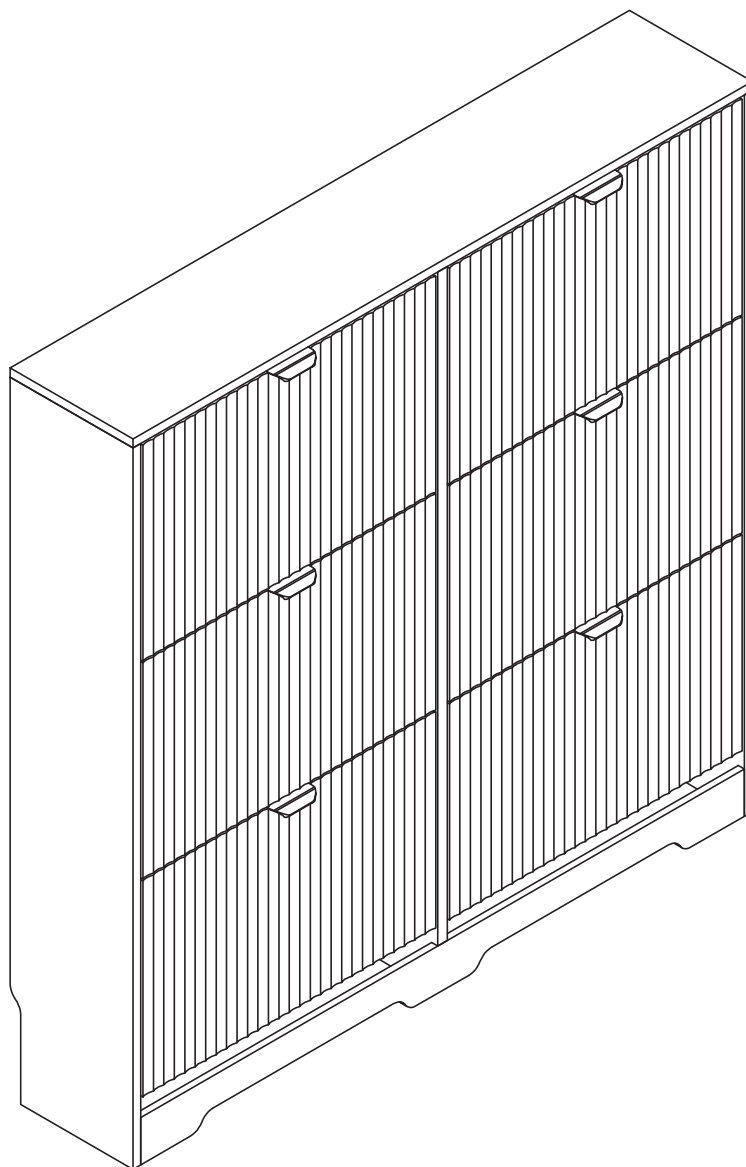


Installation & Assembly



EN_IMPORTANT, RETAIN FOR FUTURE REFERENCE: READ CAREFULLY.

. THANK YOU FOR PURCHASE! .

FREE REPLACEMENT PARTS AVAILABLE!



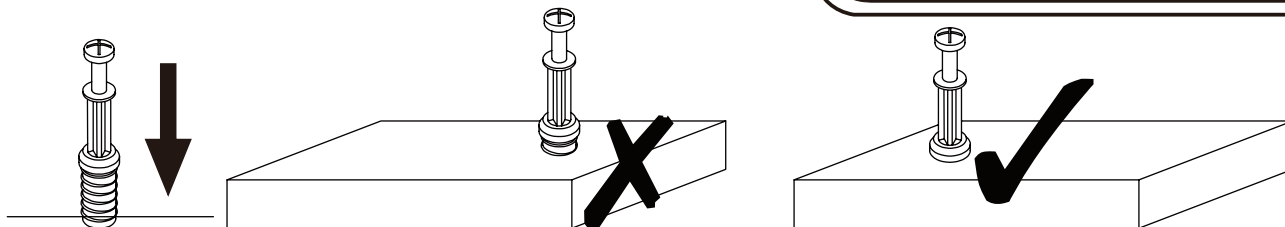
If you're experiencing any issues—whether due to shipping, assembly, or any other reason
—we're here to help.

For any damaged or missing components, we're happy to provide FREE replacement parts.

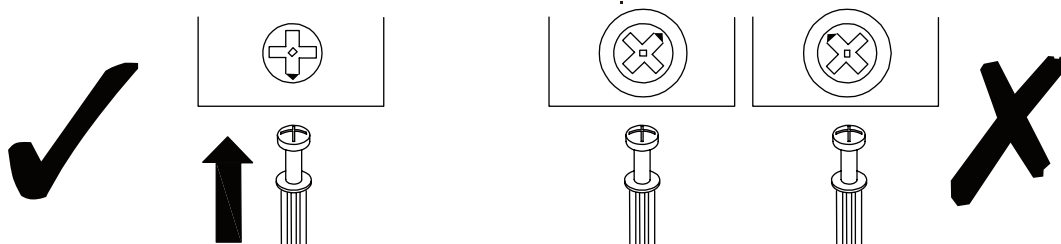
WANT TO CONTACT US

- ▶ Log in to your account.
- ▶ Go to “Your Orders” and locate your furniture order.
- ▶ Click on “Get Help with Order” to send us a message directly.

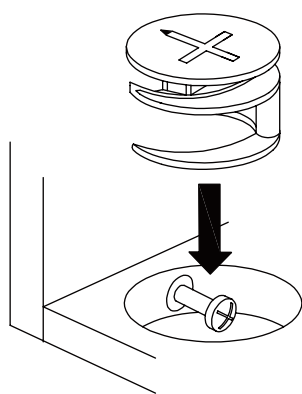
Our customer support team is ready to assist you and we will respond within
12-24 HOURS to resolve your concerns quickly!



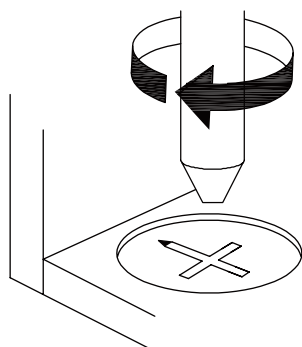
EN_QUICKFIT: Tighten quickfit until shoulder is flush with panel. Do not overtighten or undertighten.



EN_CAM LOCK: When fitting cam lock, ensure starting position is correct before you insert connecting quickfit.

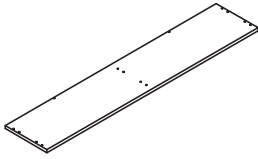
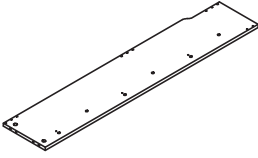
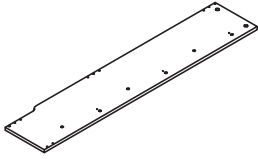
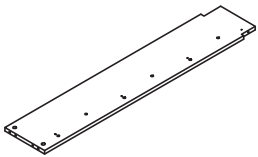
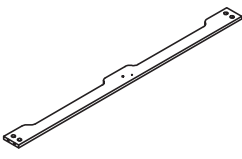
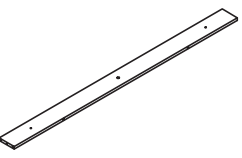
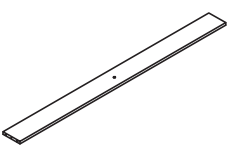
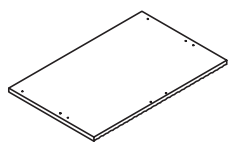
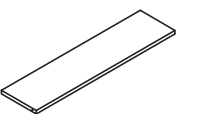
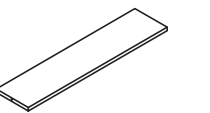



EN_Quickfit head should be in the centre of the cam lock when the two panels are joined.
Cam lock should be inserted before quickfit.

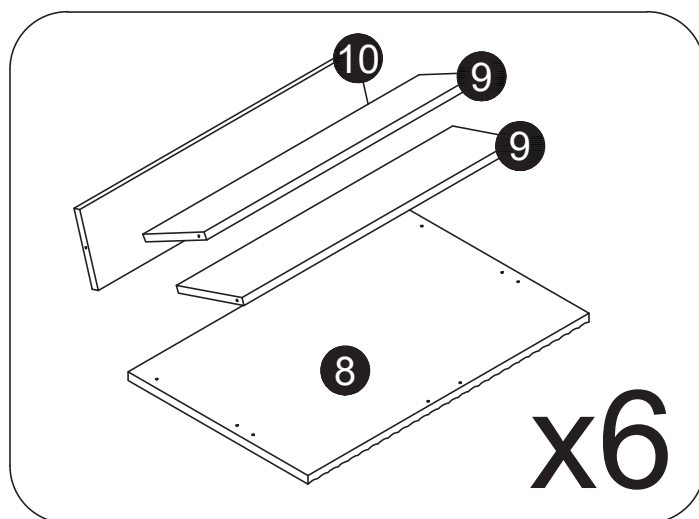
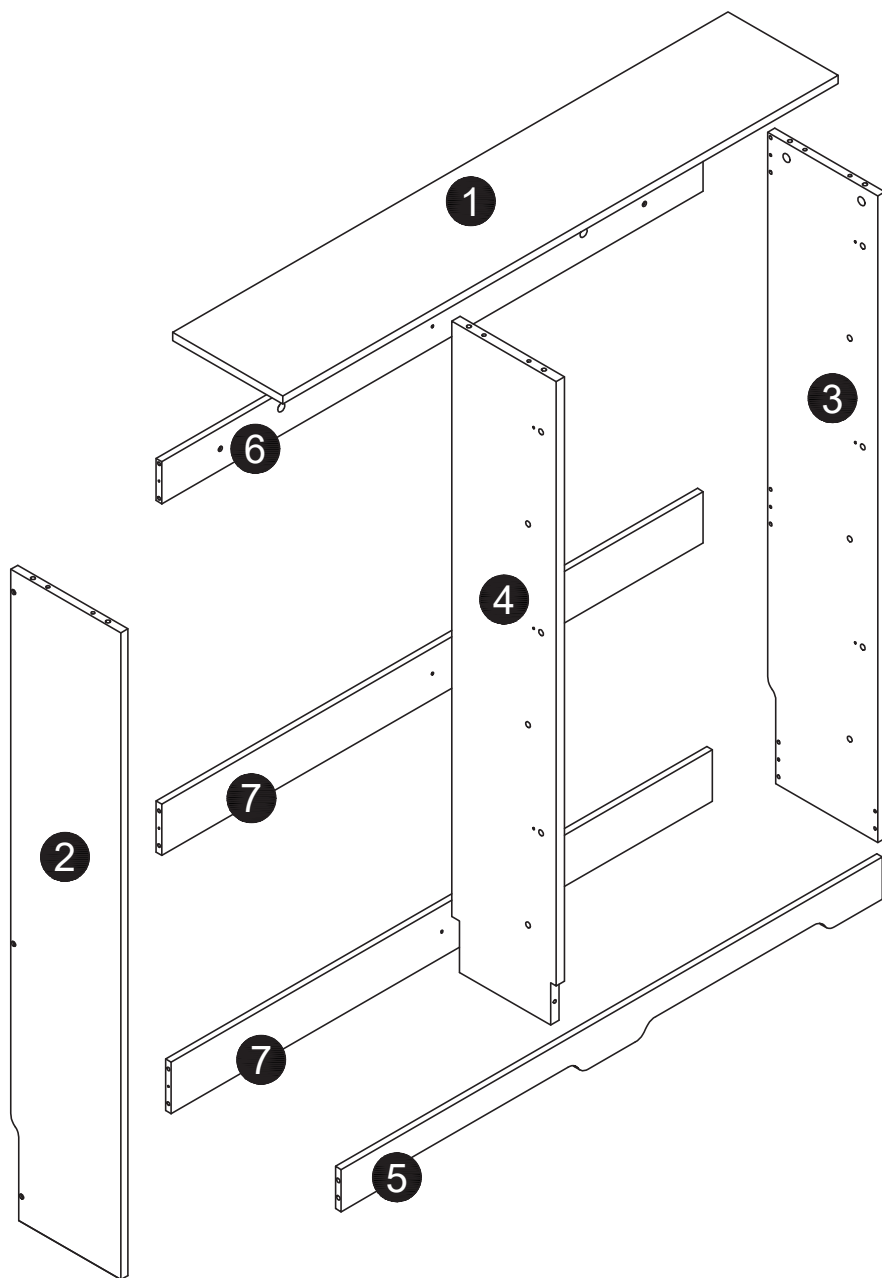


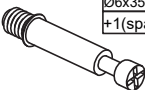

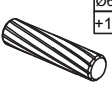
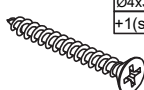
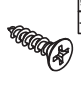

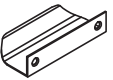



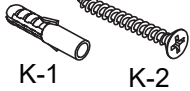

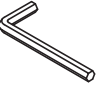



EN_Turn cam lock clockwise to tighten.

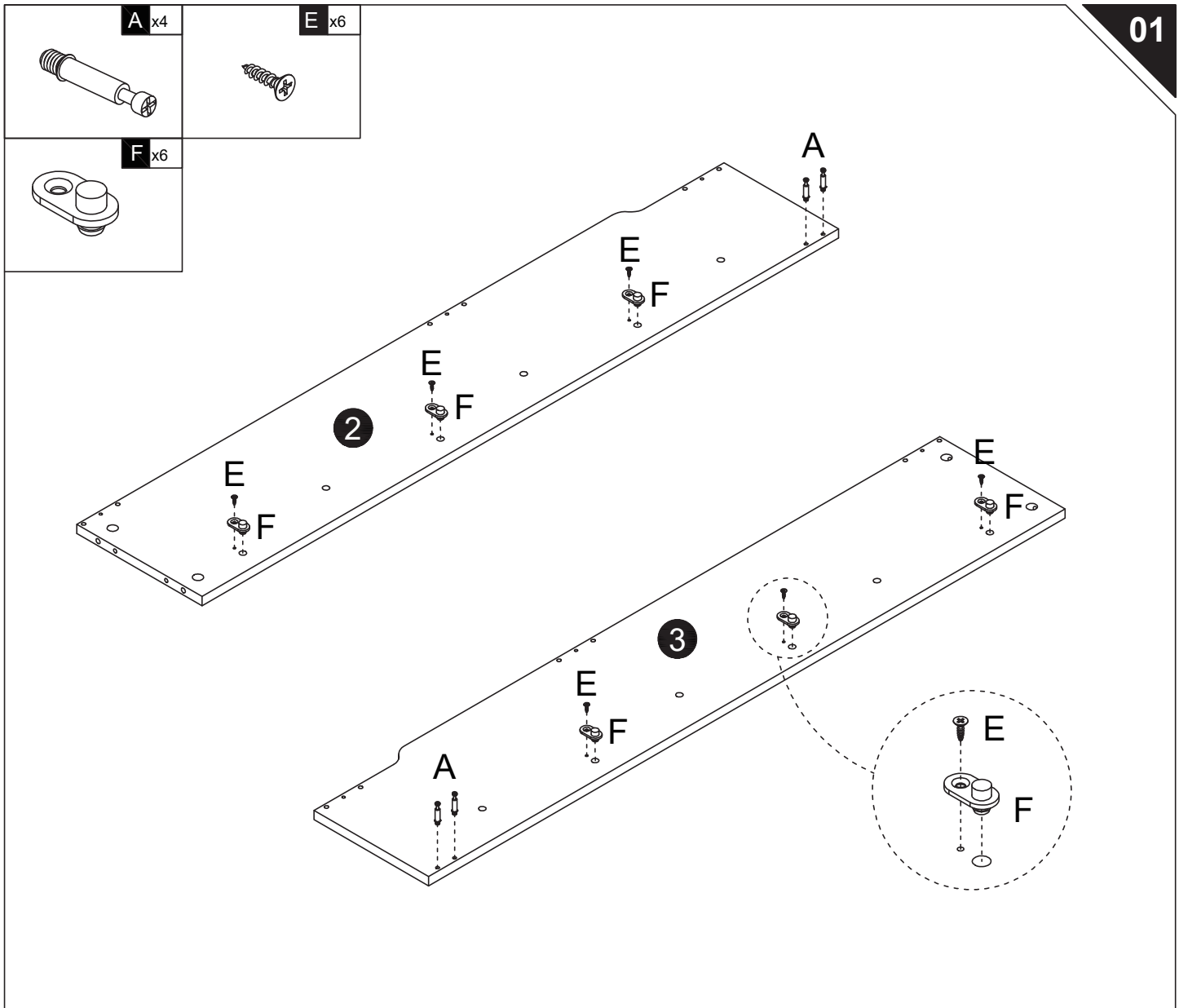
PACKING DELALS

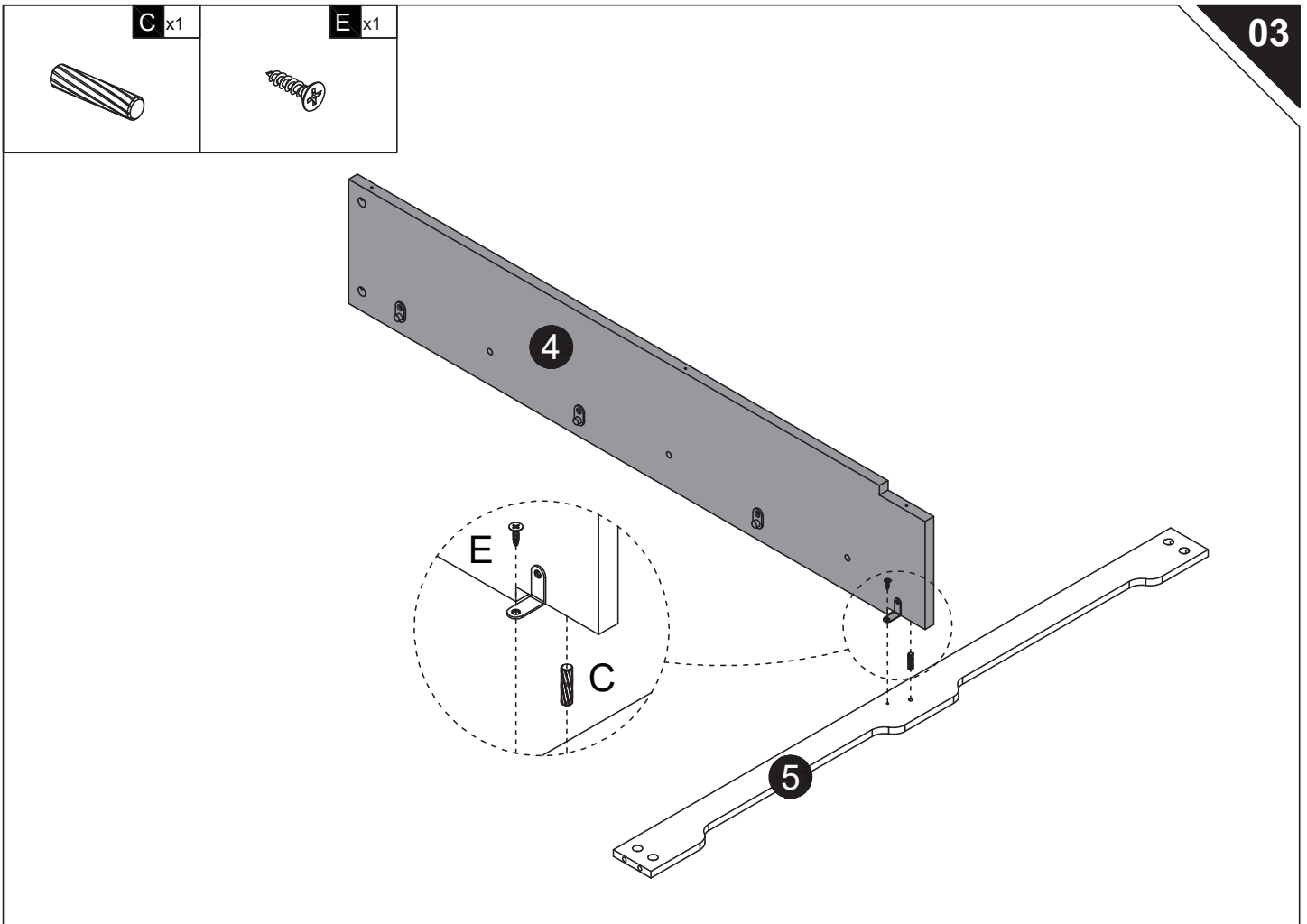
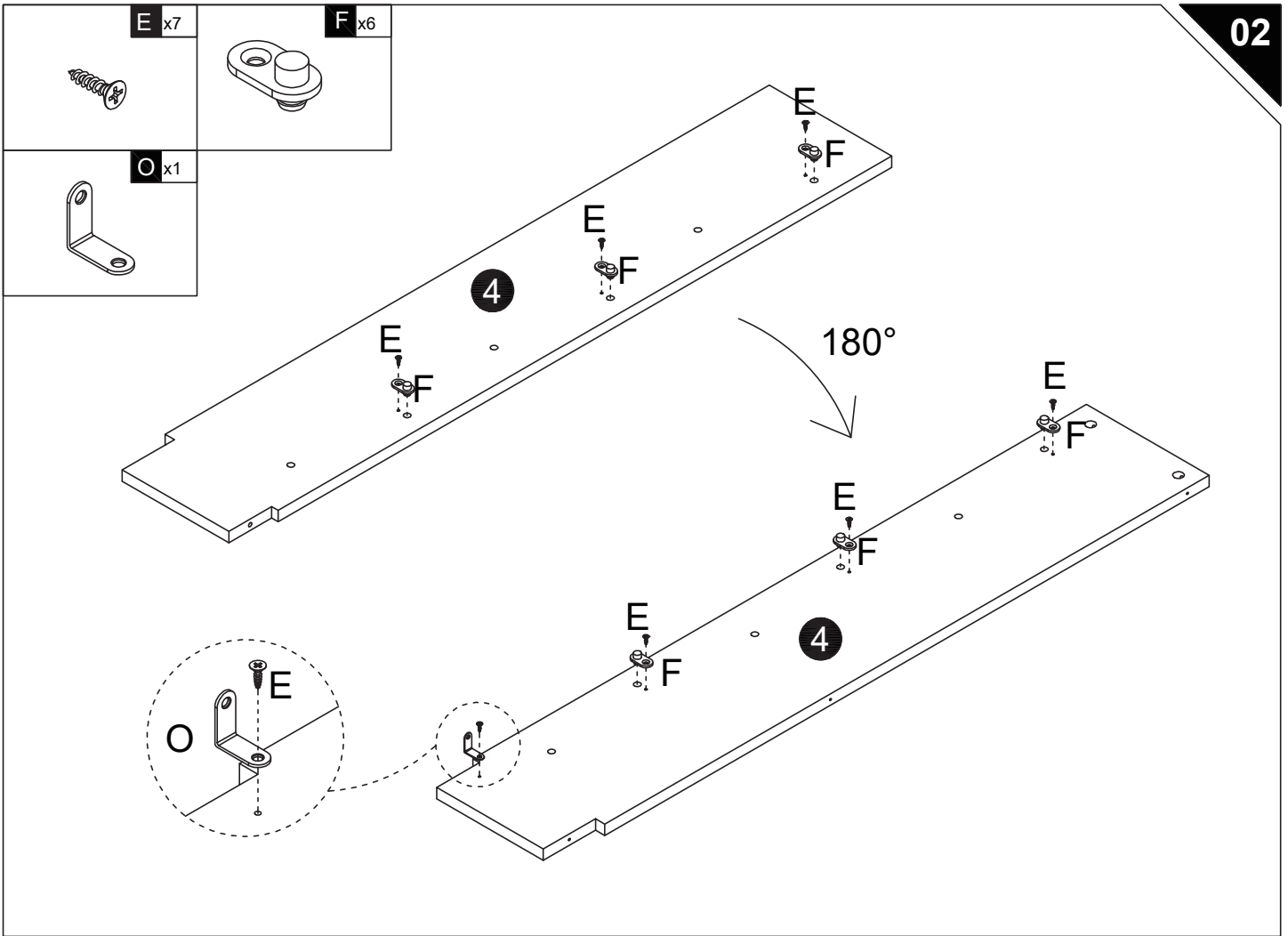
NO.	PARTS	QTY	SPARE
①		x1	
②		x1	
③		x1	
④		x1	
⑤		x1	
⑥		x1	
⑦		x2	
⑧		x6	
⑨		x12	
⑩		x6	

NO.	PARTS	QTY	SPARE
	 Hardware Kit	x1	

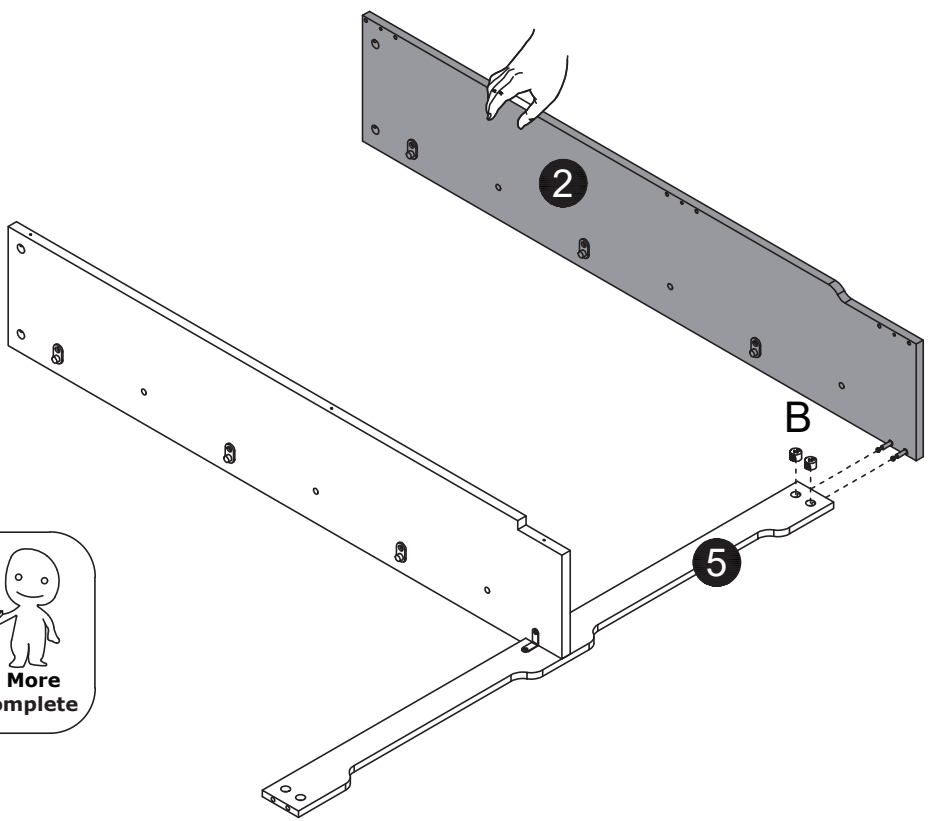


 A x12 Ø6x35mm +1(spare)	 B x12 Ø15x10mm +1(spare)	 C x19 Ø6x30mm +1(spare)	 D x9 Ø4x35mm +1(spare)	 E x98 Ø3.5x12mm +5(spare)	 F x12 +1(spare)
 G x6	 H x12 +1(spare)	 I x6 Ø6x12mm +1(spare)	 J x6 +2(spare)	 K-1 K-2	 L x6
 M x1	 N x6 Ø6x16mm +1(spare)	 O x1	 R x6		





B x2

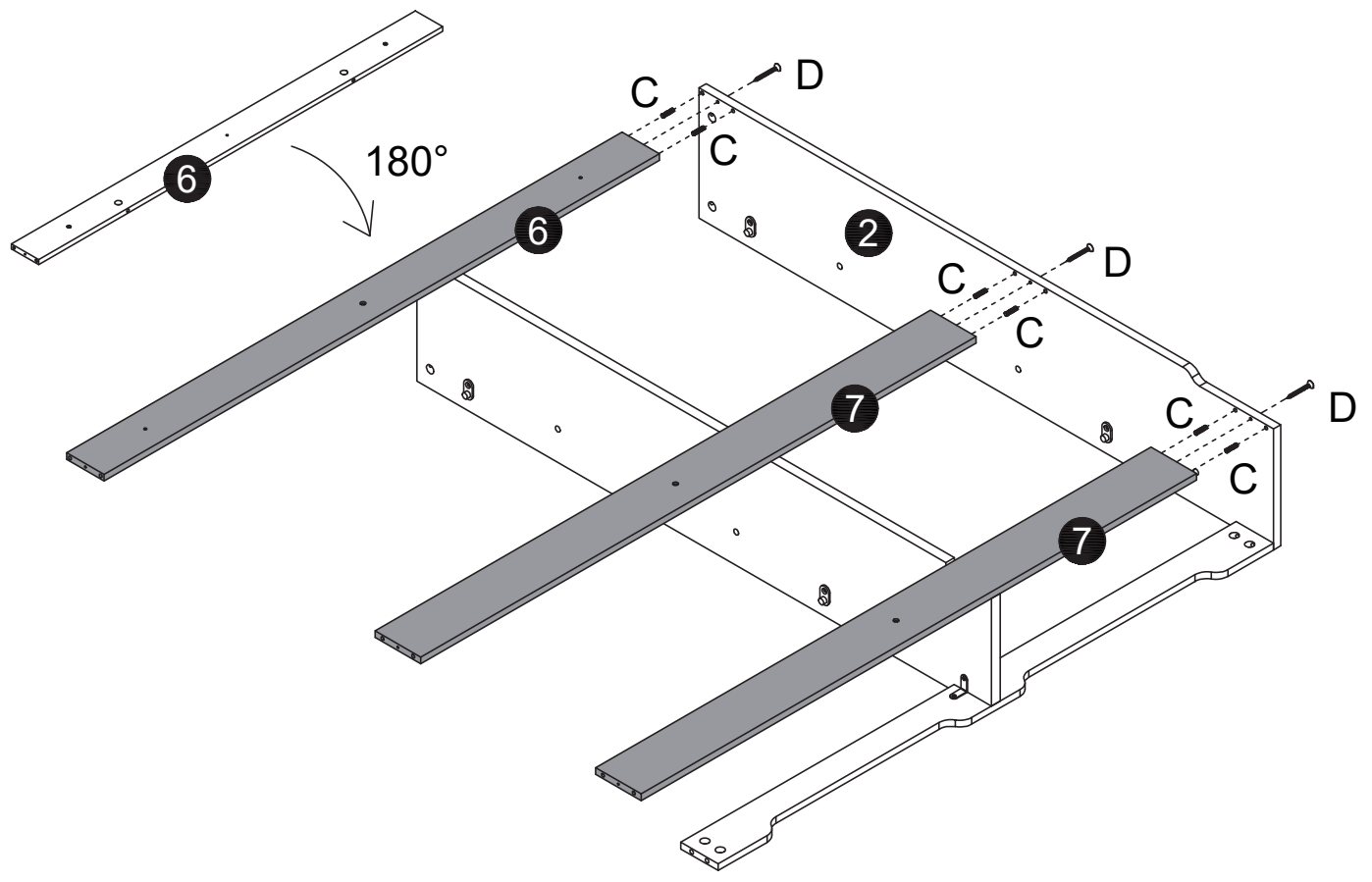


C x6

D x3

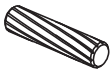


! Caution the direction of 6 !

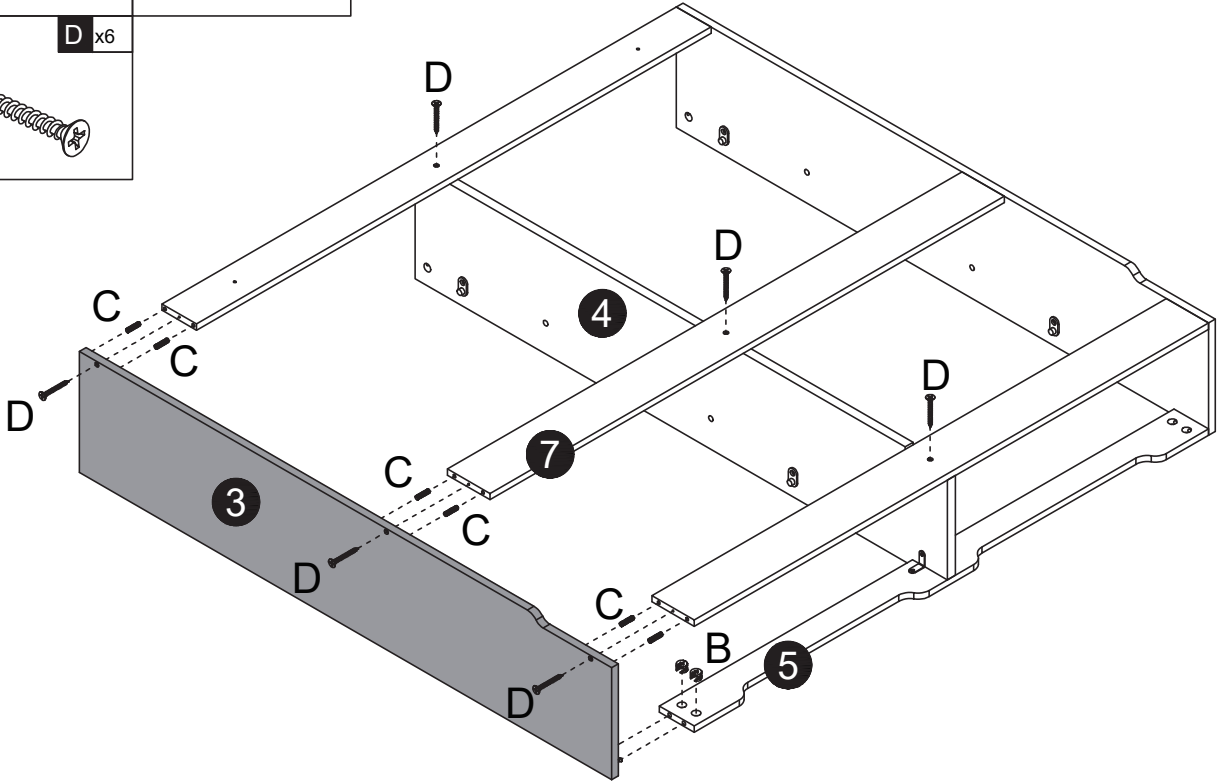
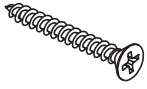


B x2

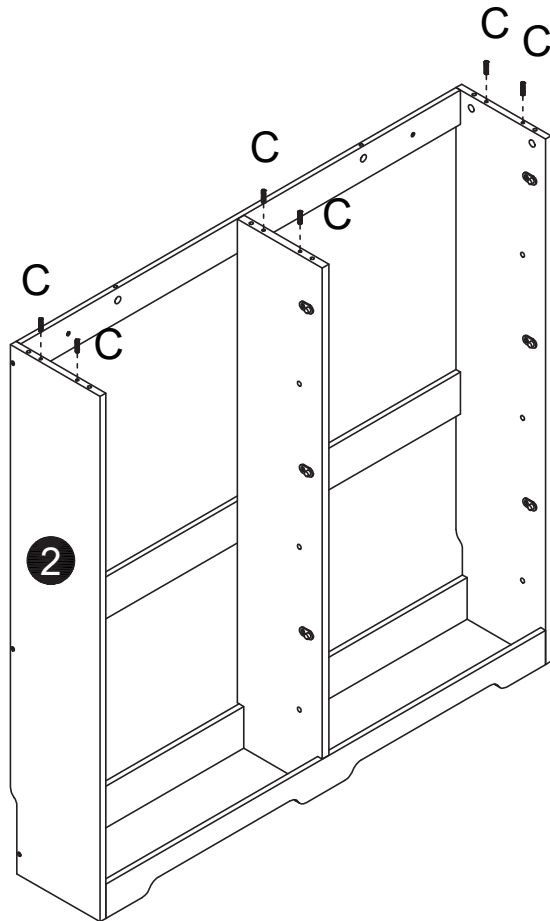
C x6



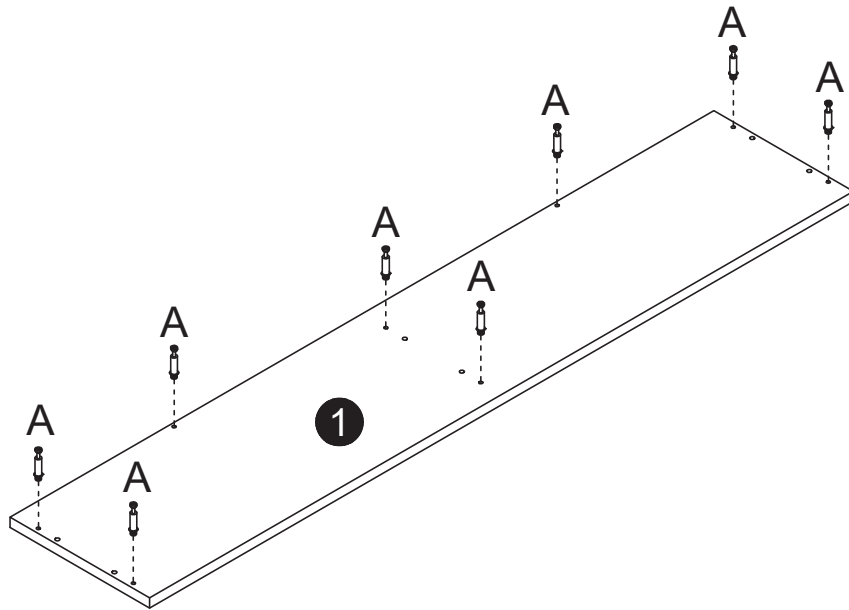
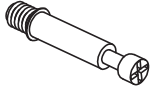
D x6



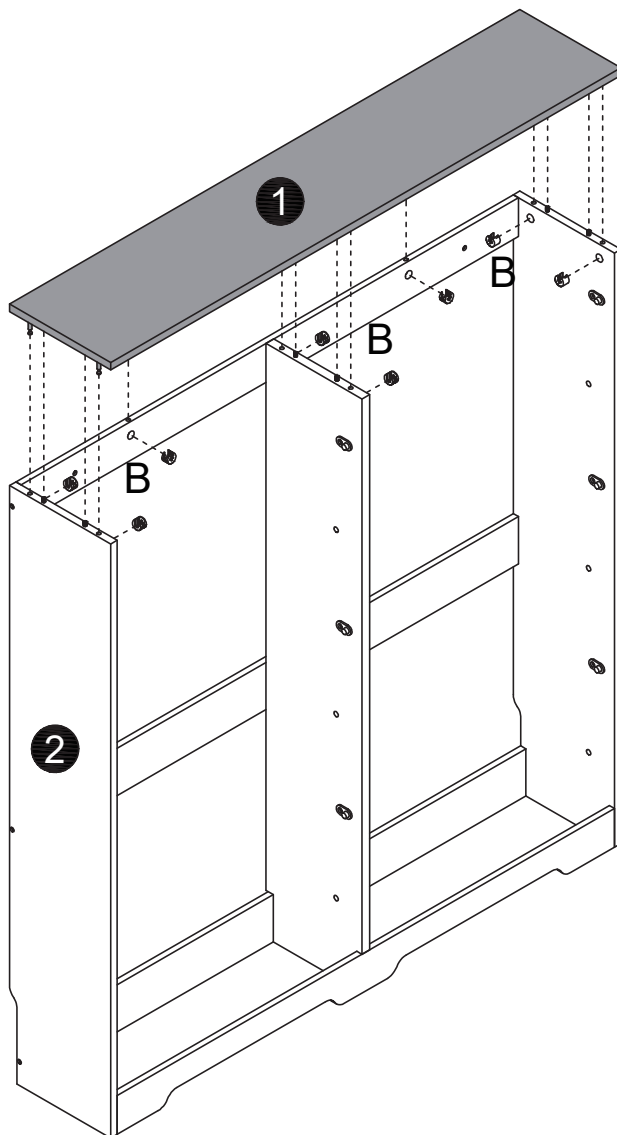
C x6



A x8

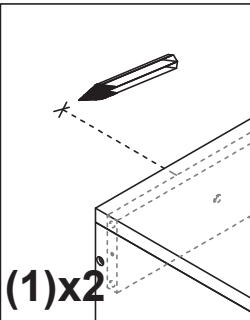
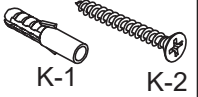


B x8

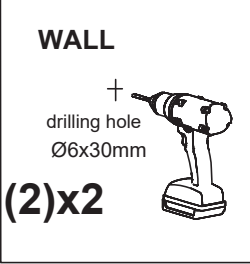


Need Two or More
People To Complete

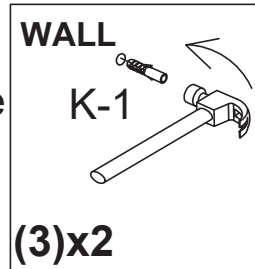
K x2



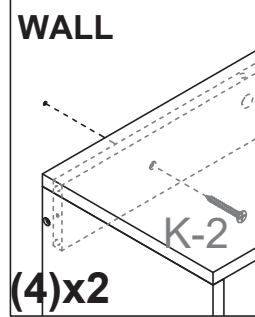
then, use a ruler to measure the approximate height of the product on the wall, and then mark it with a pen.



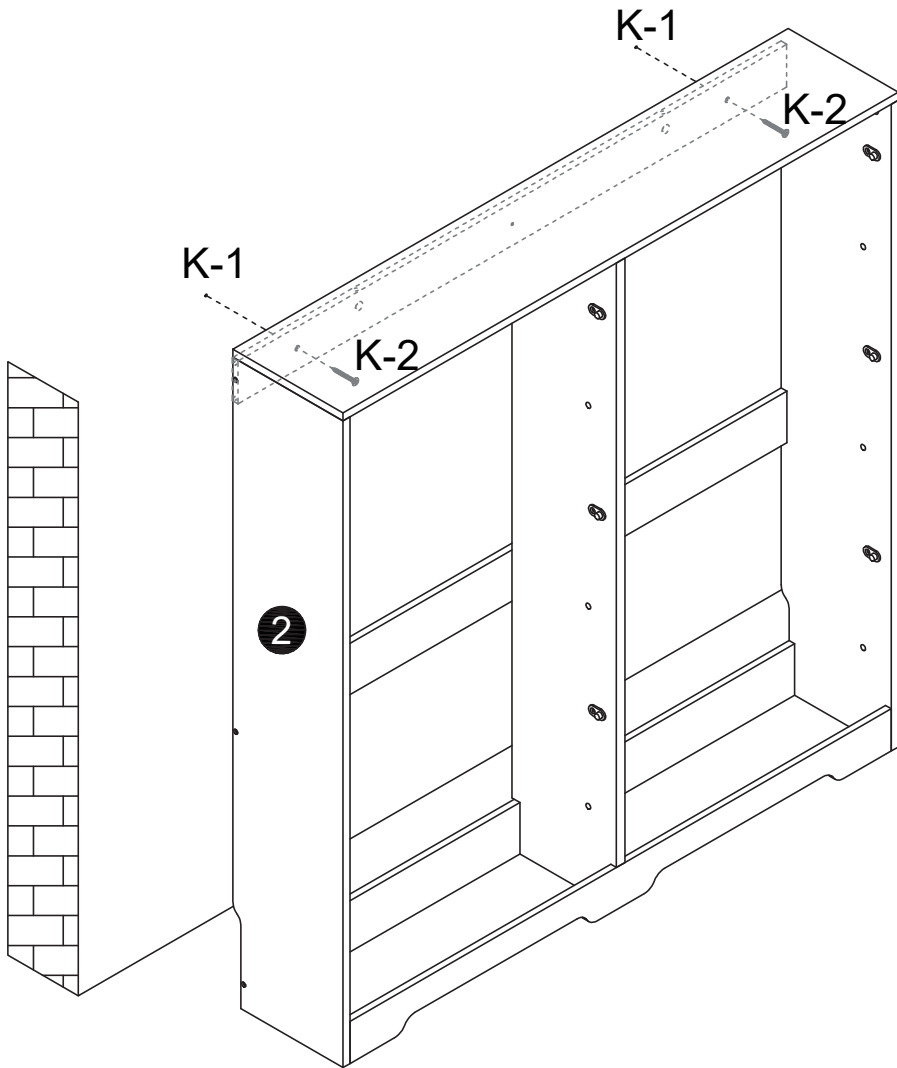
Then use a tape drill to make holes in the wall that are suitable for the product screws.



Then, put the expansion bolt into the hole



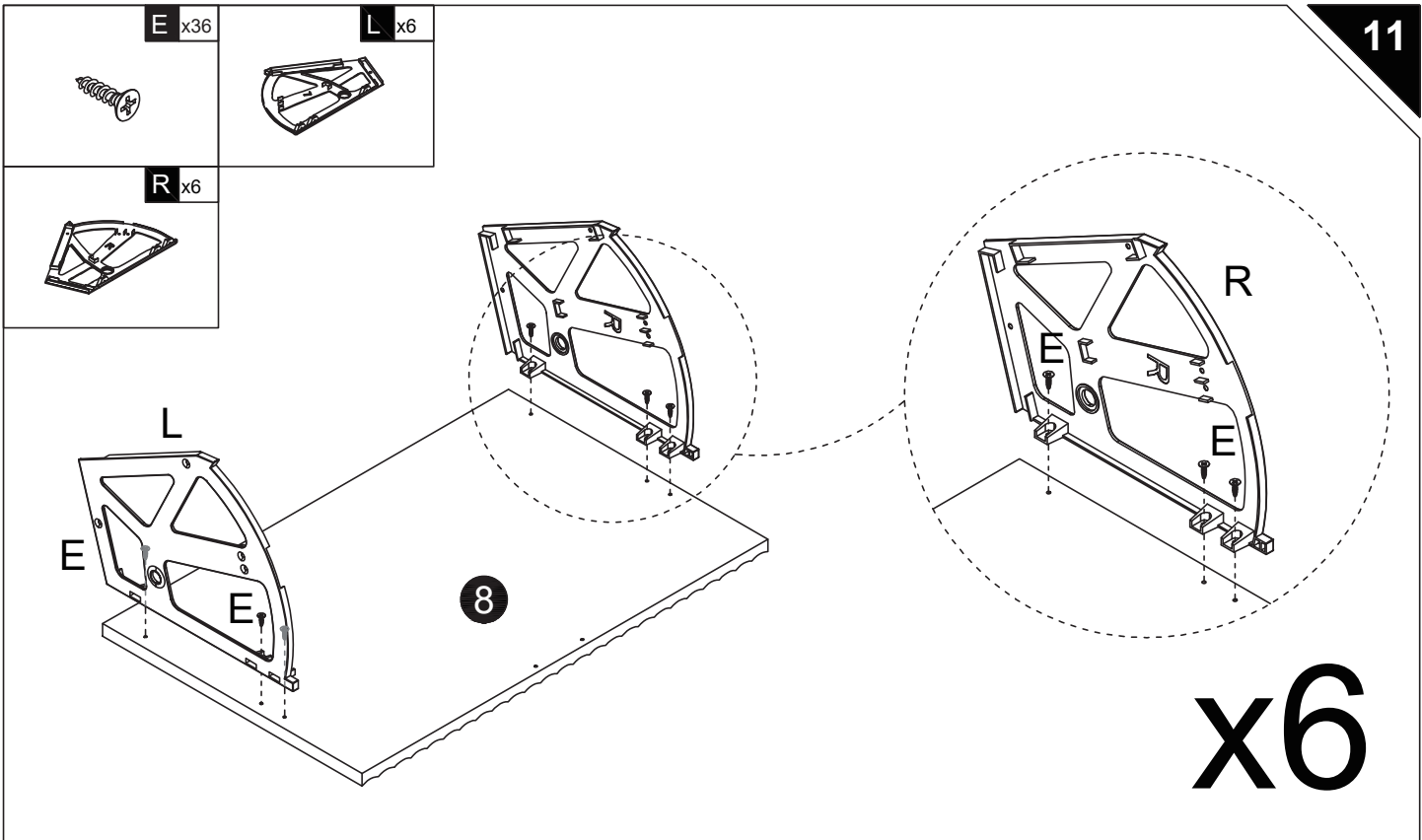
Finally, pass the matching screws through the "anti-rewind" and tighten them to fix them on the wall.



E x36

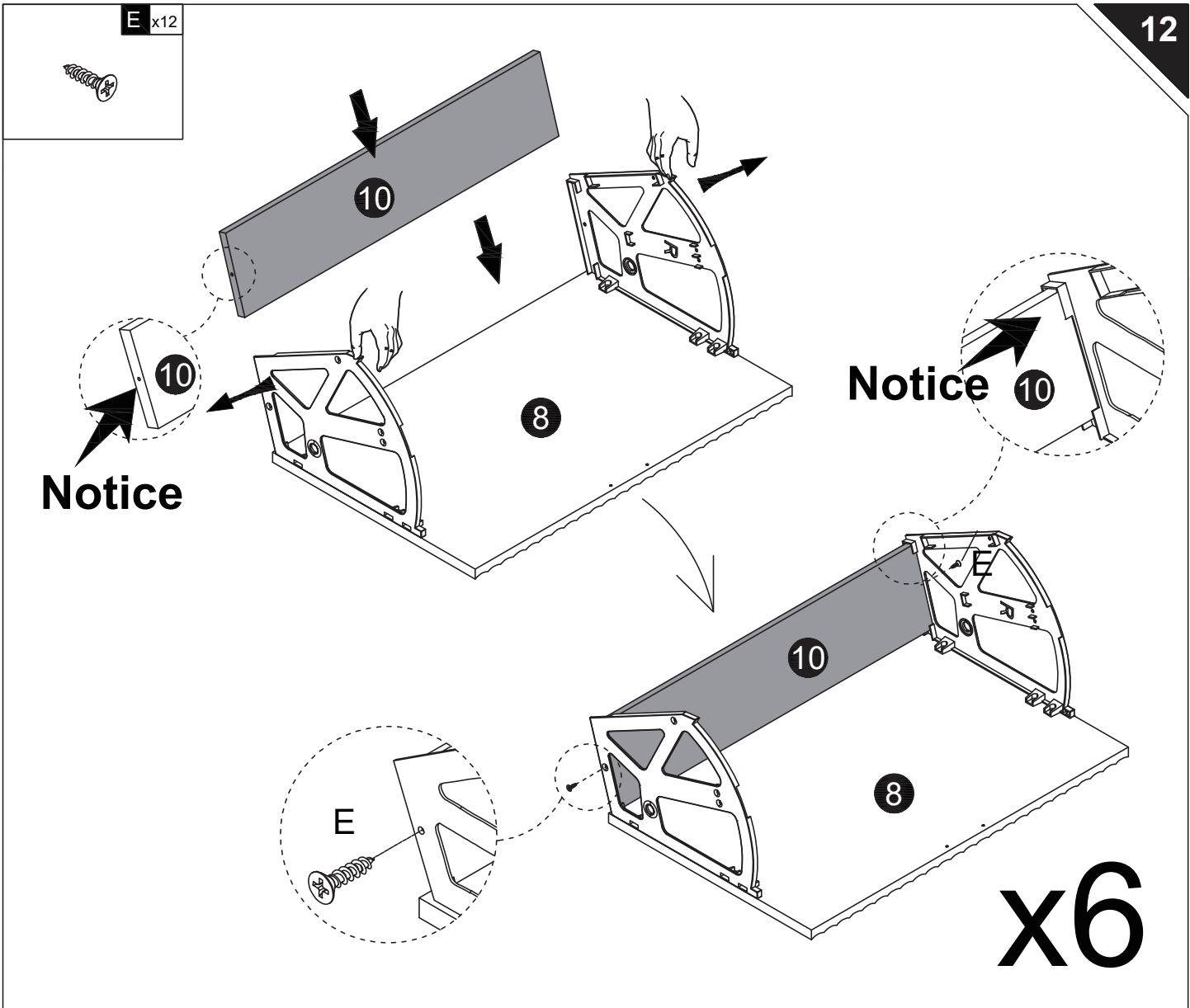
L x6

R x6



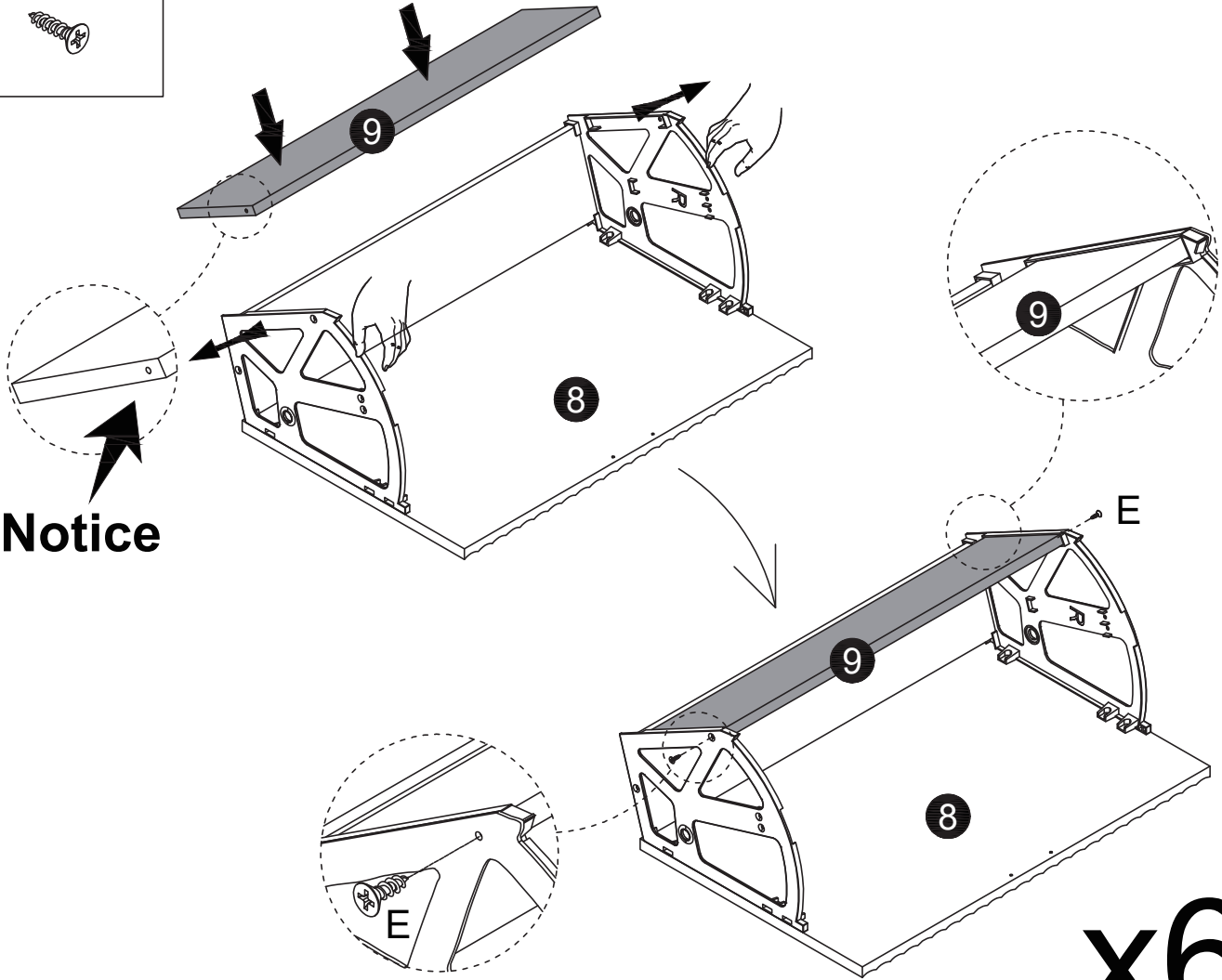
x6

E x12



x6

E x12



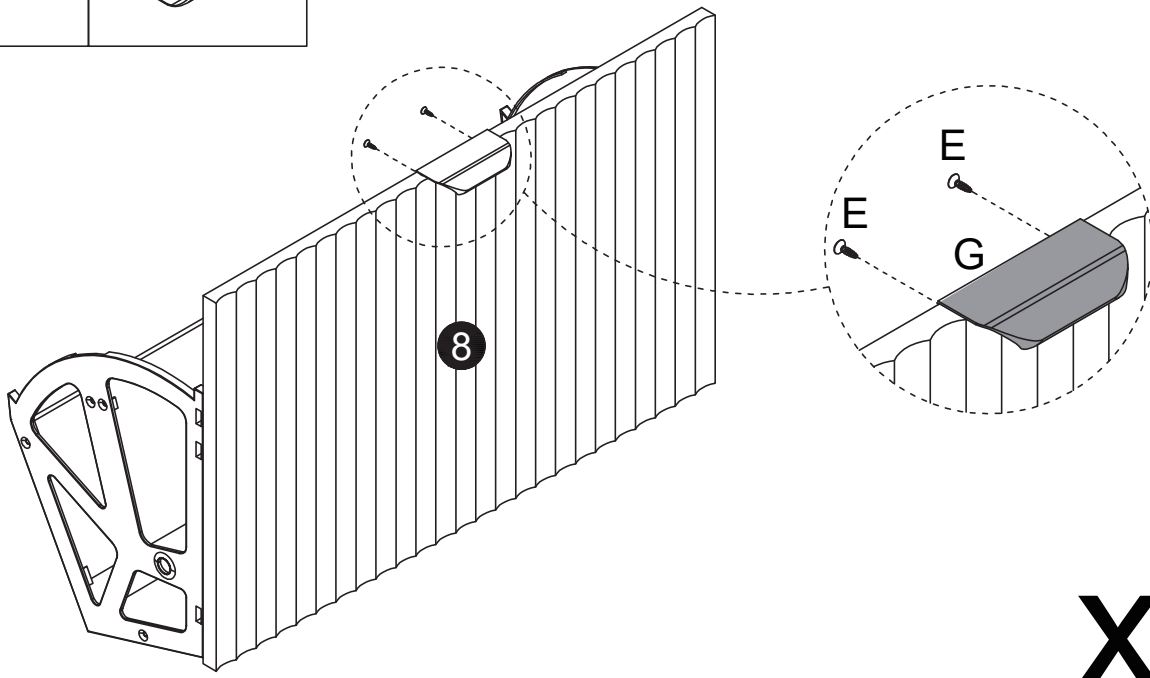
Notice

x6

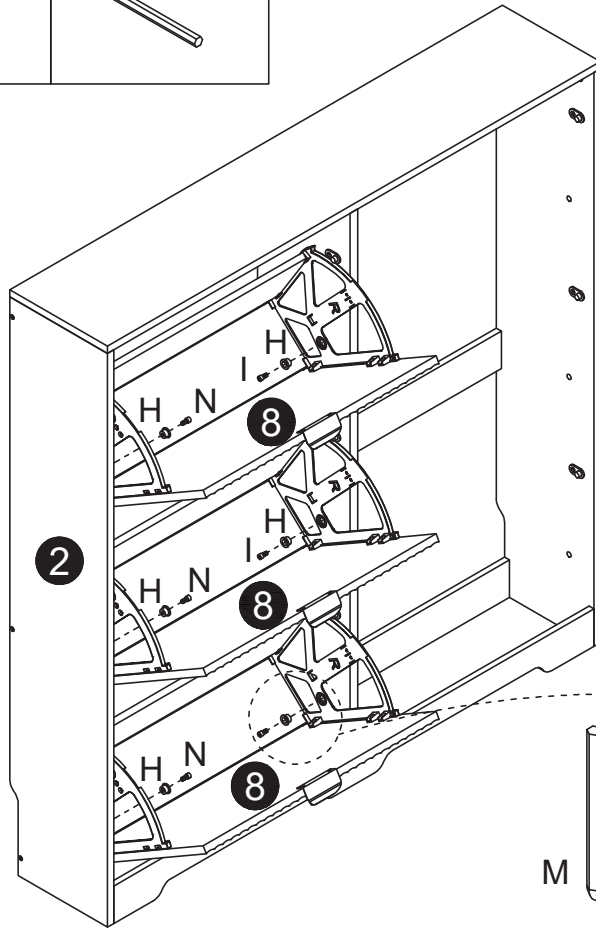
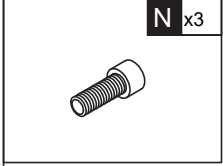
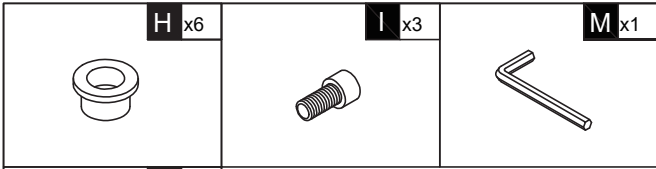
E x12



G x6



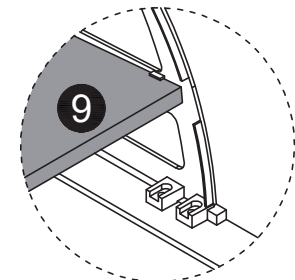
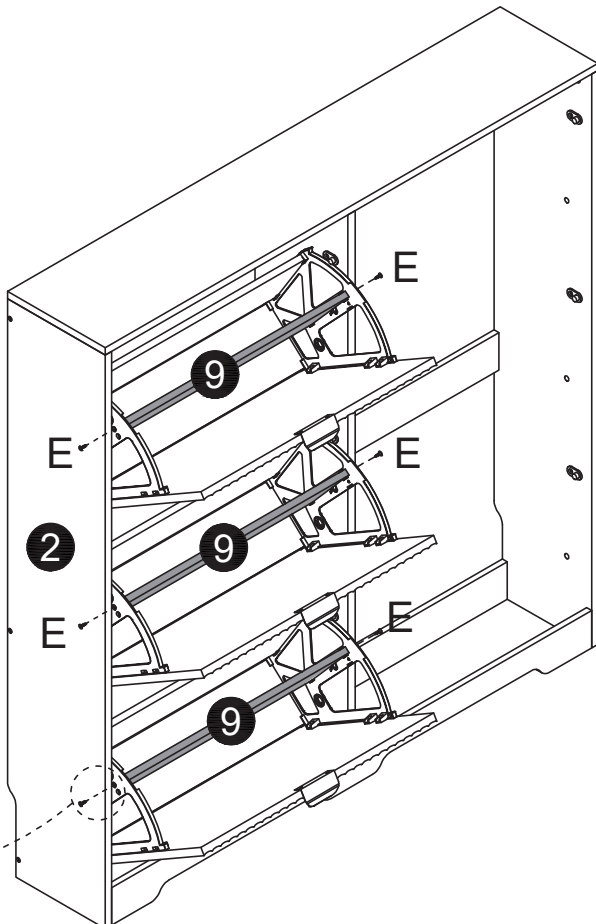
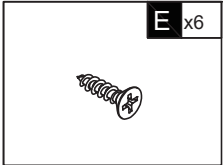
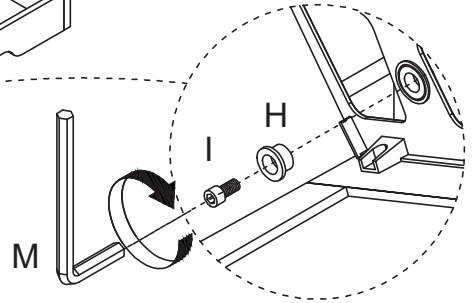
x6



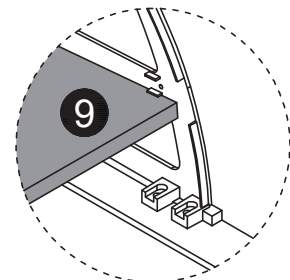
Note:

1、Distinguish between screw I and screw N.

2、Please do not forcefully lock the installation screws to the maximum limit to avoid damaging the side panel.



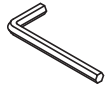
OR



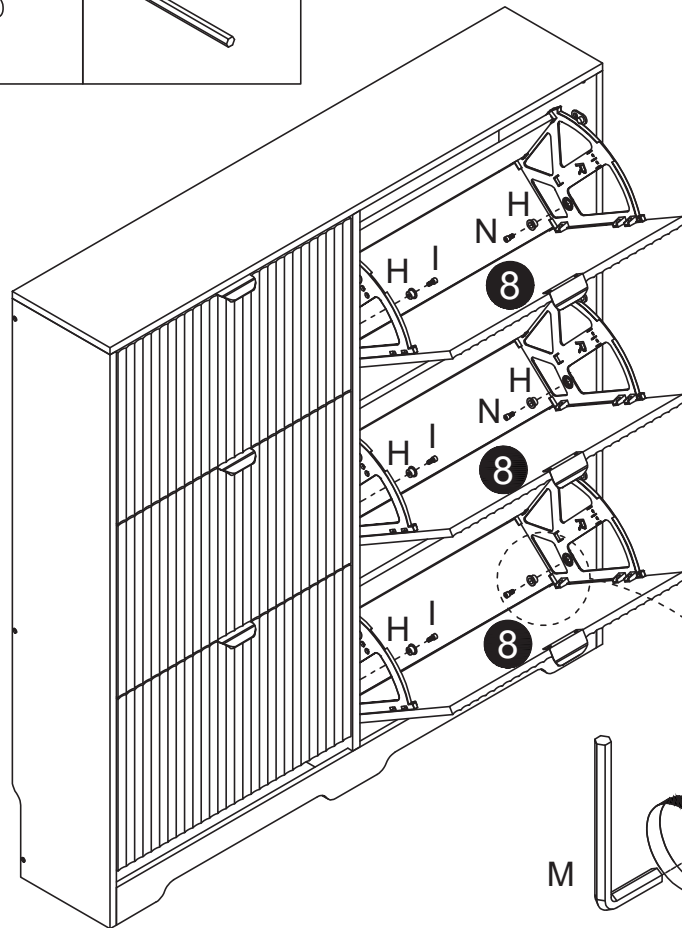
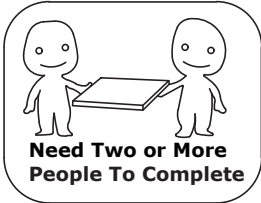
H x6

I x3

M x1



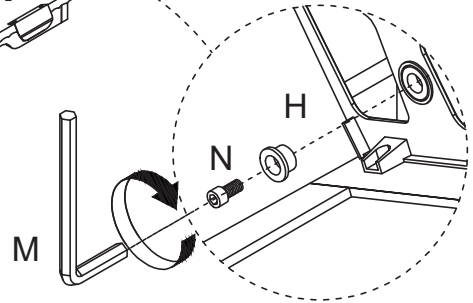
N x3



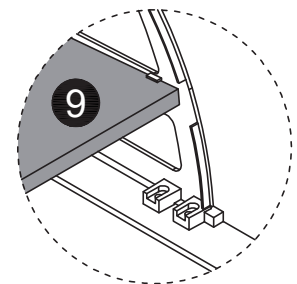
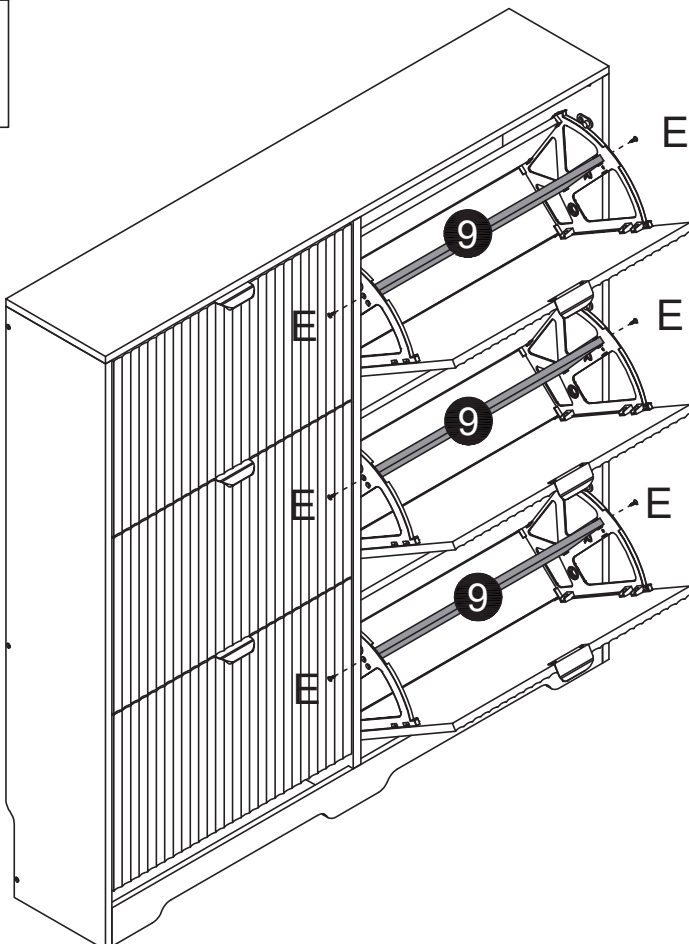
Note:

1、Distinguish between screw I and screw N.

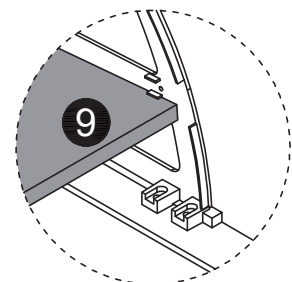
2、Please do not forcefully lock the installation screws to the maximum limit to avoid damaging the side panel.



E x6

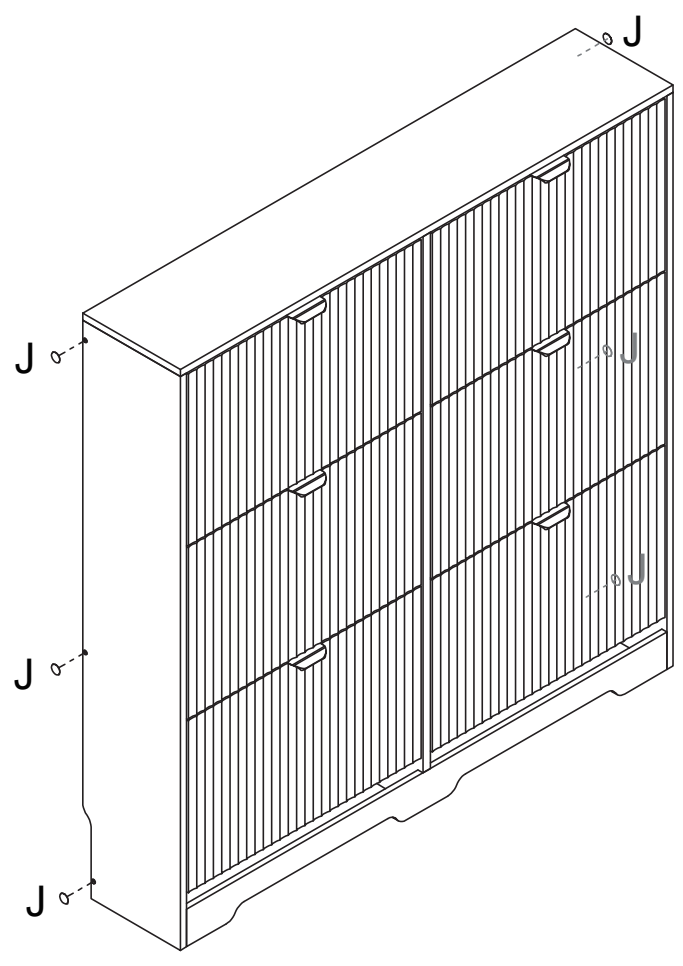


OR



J x6

19



Done

