



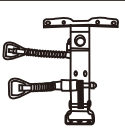





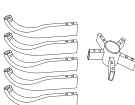






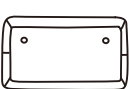


ASSEMBLE INSTRUCTION

| | |
|---|---|
| A*1  | J*4  |
| B*1  | K*1  |
| C*1  | L*1  |
| D*1 (L&R)  | M*10  M6*12MM |
| E*1  | N*4  M6*20MM |
| F*1  | O*6  M6*25MM |
| G*5  | P*3  M8*20MM |
| H*1  | Q*4  M8*35MM |
| I*1  | R*1  |

