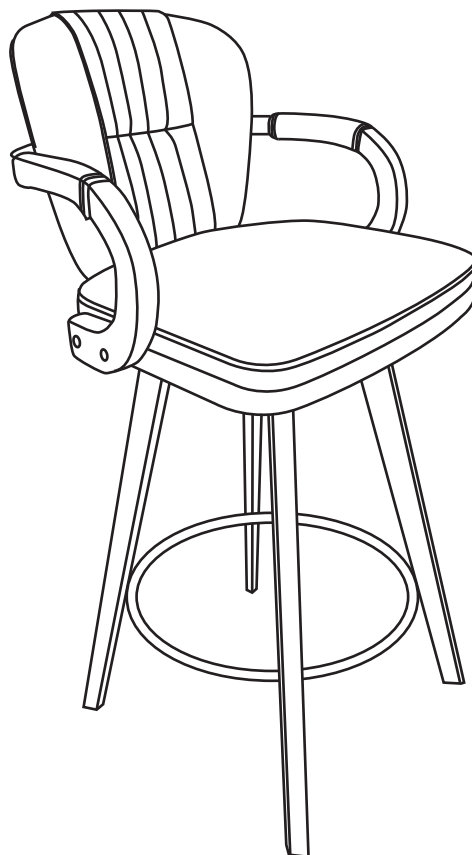
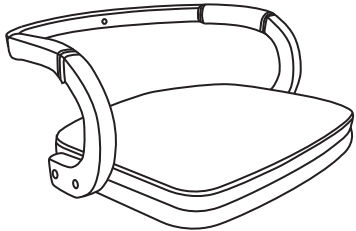
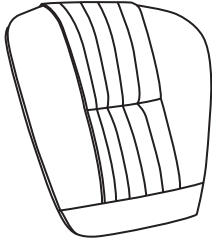
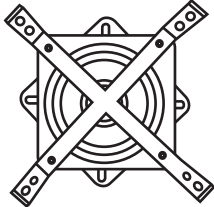
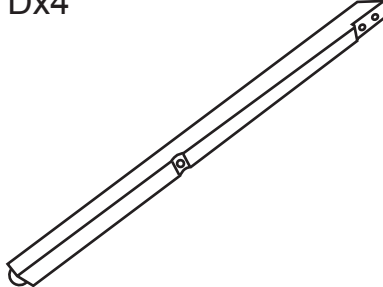
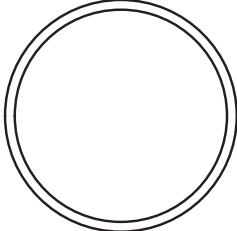
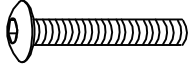

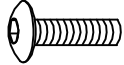
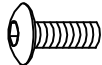



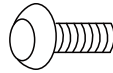


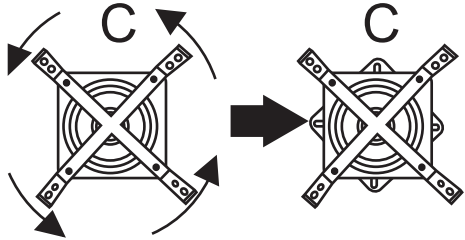
ITEM NO.: 8550B



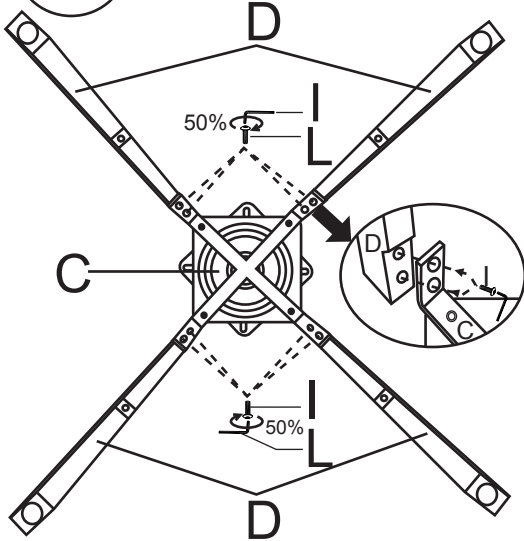
| | | | | | | | |
|-------------------------------------------------------------------------------------------------------------------|--------------------------------------------------------------------------------------------------------------------|--------------------------------------------------------------------------------------------------------------------|----------------------------------------------------------------------------------------------------------------------|-----------------------------------------------------------------------------------------------------------------------|-----------------------------------------------------------------------------------------------------------------------|------------------------------------------------------------------------------------------------------------|-------------------------------------------------------------------------------------------------------------------------|
| <p>Ax1</p>  | <p>Bx1</p>  | <p>Cx1</p>  | <p>Dx4</p>  | <p>Ex1</p>  | | | |
| <p>Fx1+1Ext</p>  <p>M6X45mm</p> | <p>Gx4+1Ext</p>  <p>M6X30mm</p> | <p>Hx2+1Ext</p>  <p>M6X25mm</p> | <p>Ix10+1Ext</p>  <p>M6X20mm</p> | <p>Jx2</p>  <p>Rubber Washer</p> | <p>KX1+4</p>  <p>PLASTIC CAP</p> | <p>LX1</p>  <p>M6</p> | <p>MX1</p>  <p>SPARE FOOT NAIL</p> |

ITEM NO.: 8550B

1

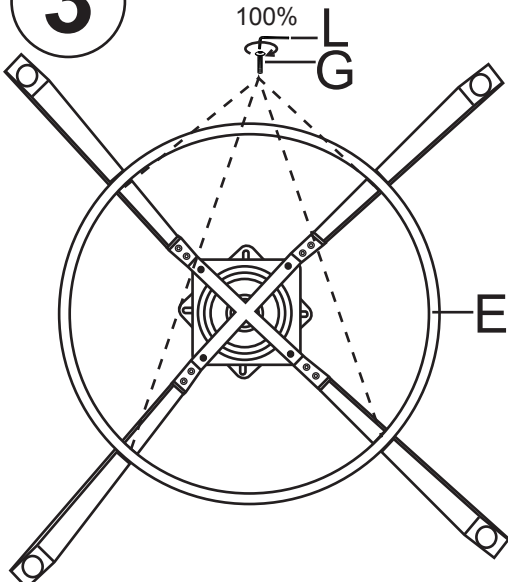


2



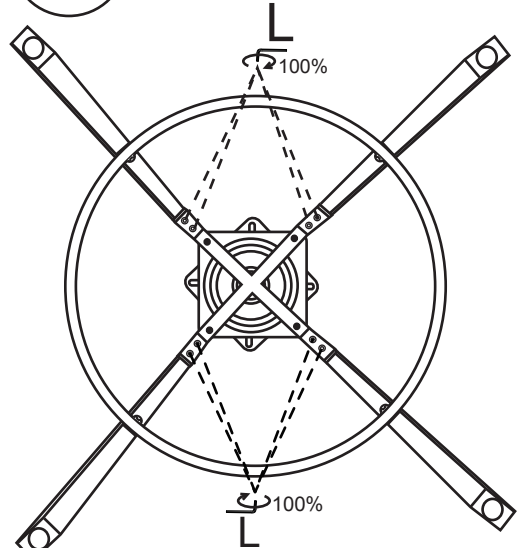
Note: DO NOT tighten the screws(I) in step 2

3



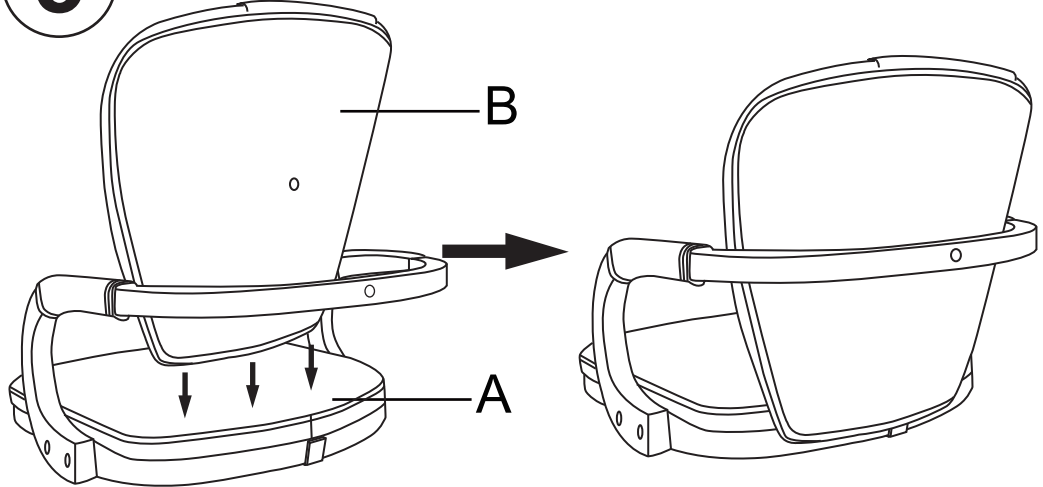
Note: Tighten the screws(G) in step 3

4

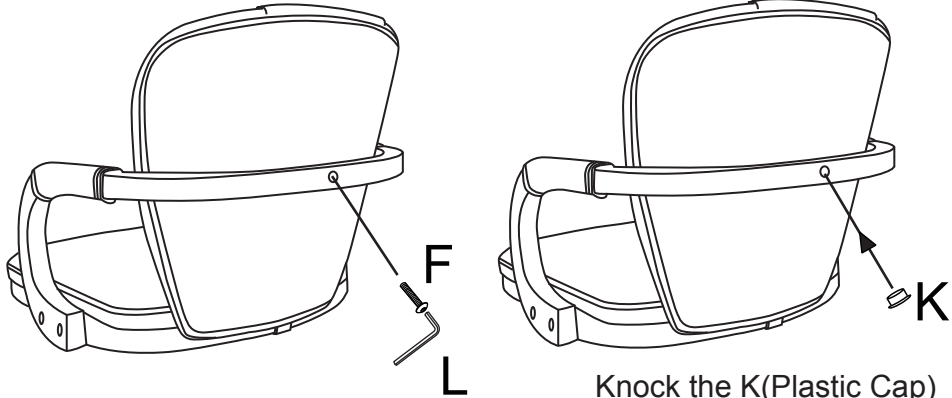


Note: Tighten the screws(L) in step 4

5

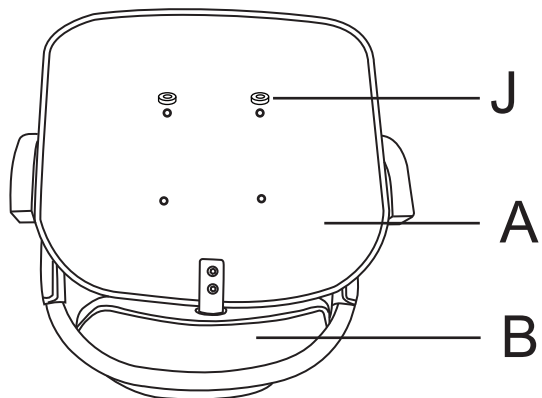


6

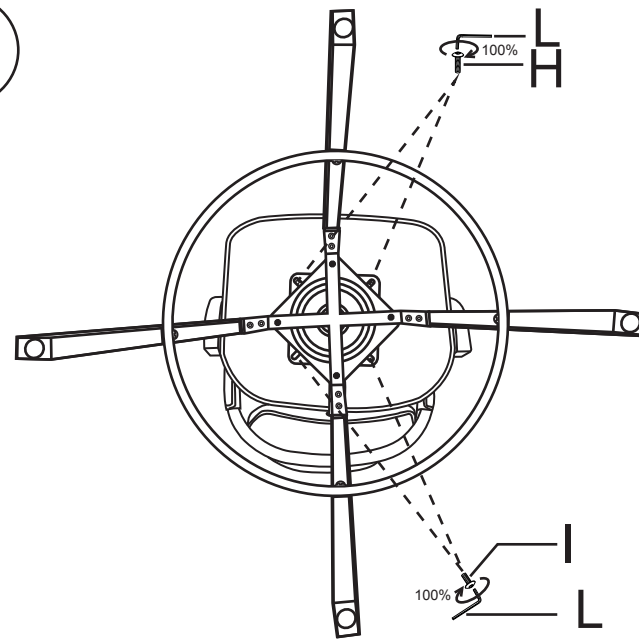


Knock the K(Plastic Cap) into the hole.

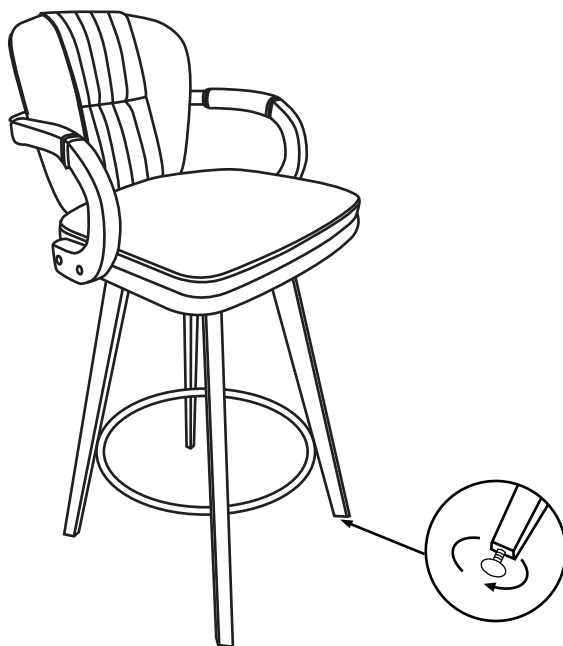
7



8



9



Note: adjust the foot nails to make the chair balance.