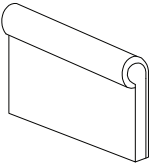
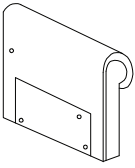
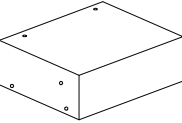
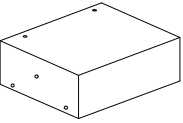
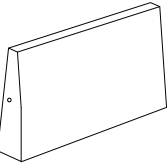
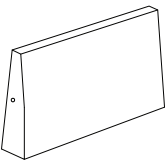
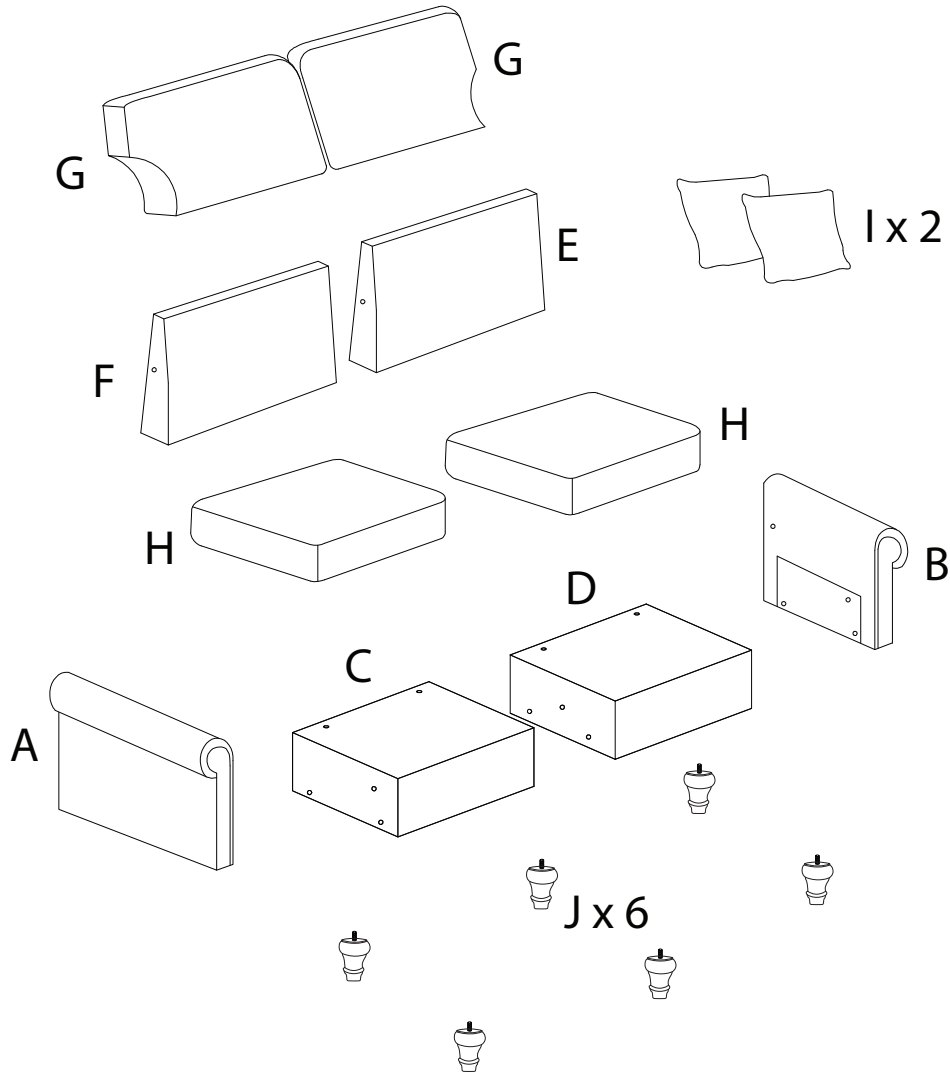
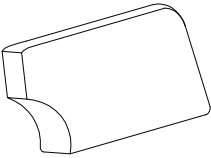
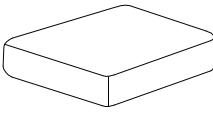
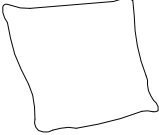

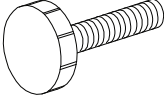


Diagram illustrating assembly instructions and safety warnings:

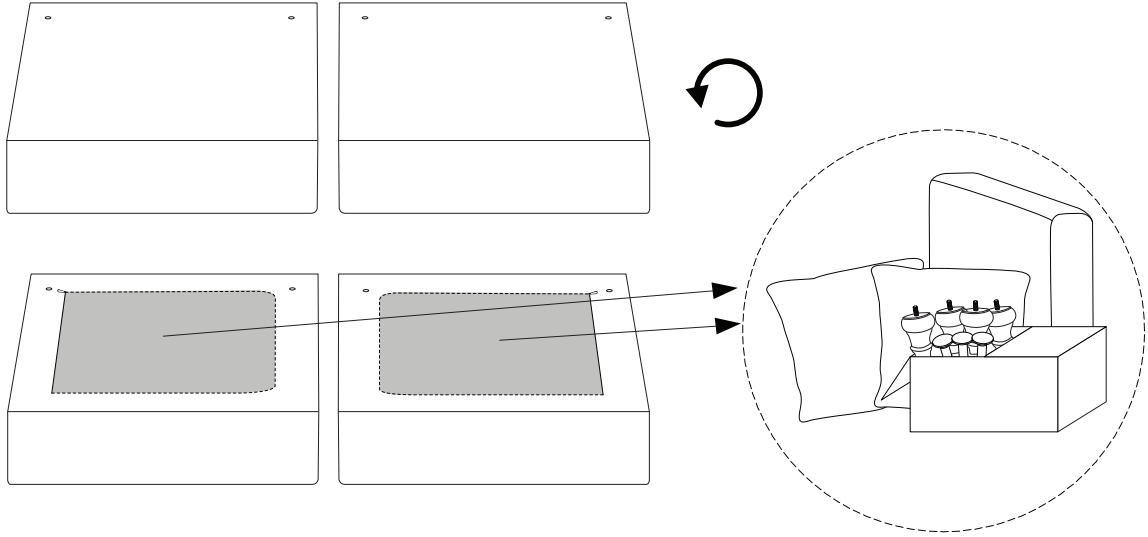
- Warning 1:** A crossed-out power drill icon indicates that power tools should not be used for assembly.
- Warning 2:** A crossed-out icon of a block being drilled from the bottom indicates that the furniture should not be drilled from the underside.
- Time:** A clock icon with the text "30'" indicates an estimated assembly time of 30 minutes.
- Personnel:** An icon of a person with the text "2" indicates that two people are required for assembly.

<b>A</b>	<b>B</b>	<b>C</b>	<b>D</b>	<b>E</b>	<b>F</b>
					
<b>x 1</b>	<b>x 1</b>	<b>x 1</b>	<b>x 1</b>	<b>x 1</b>	<b>x 1</b>

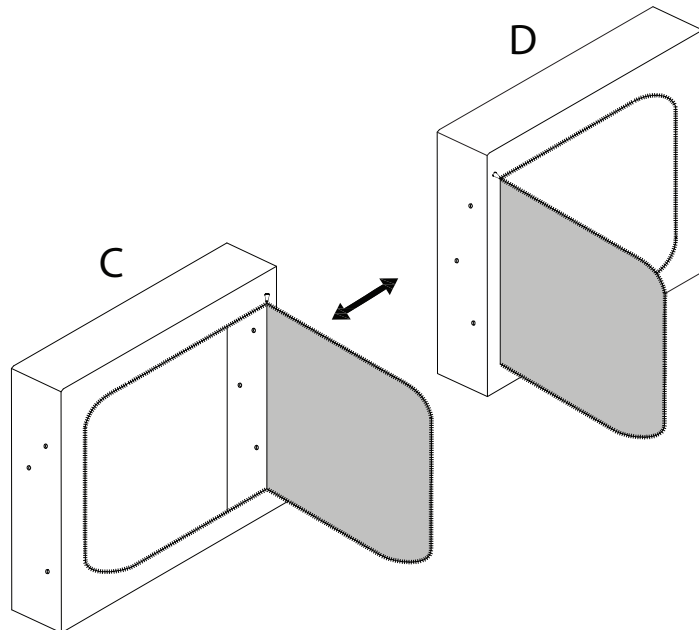
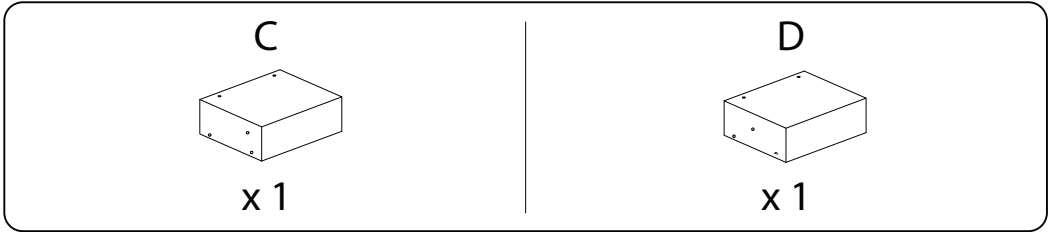


<b>G</b>	<b>H</b>	<b>I</b>	<b>J</b>	<b>K</b>
				
<b>x 2</b>	<b>x 2</b>	<b>x 2</b>	<b>x 6</b>	<b>x 16</b>

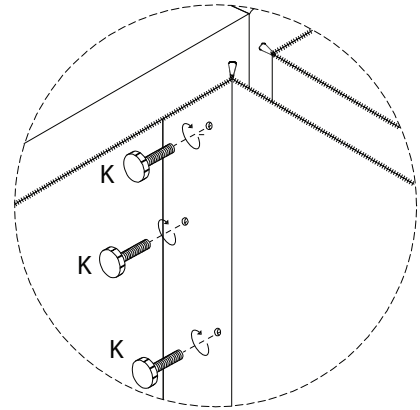
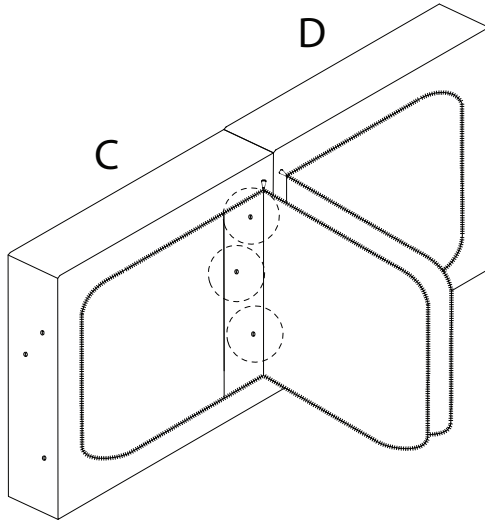
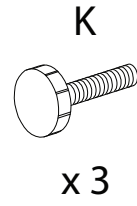
!



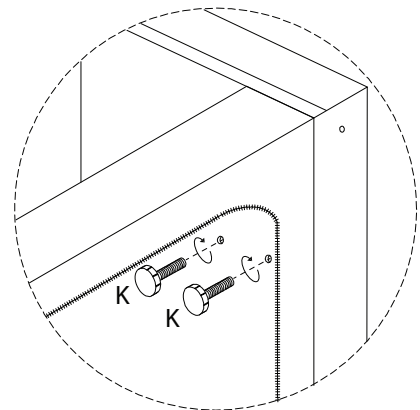
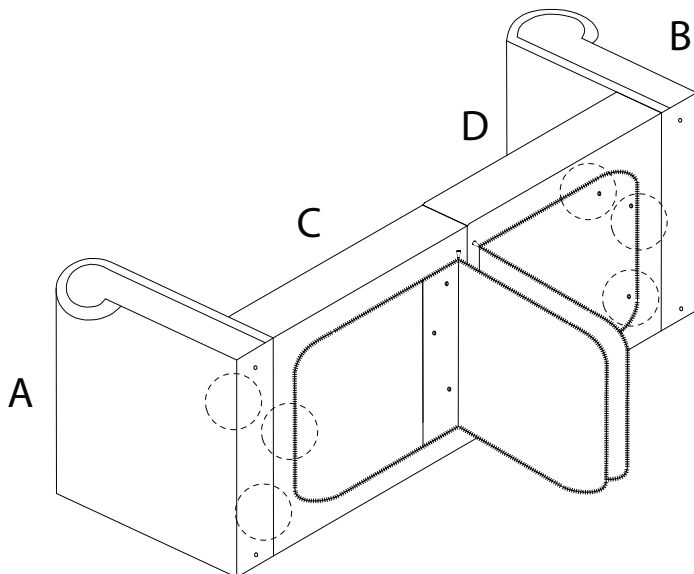
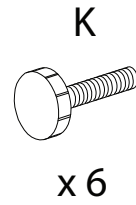
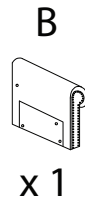
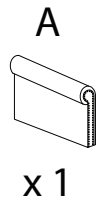
1



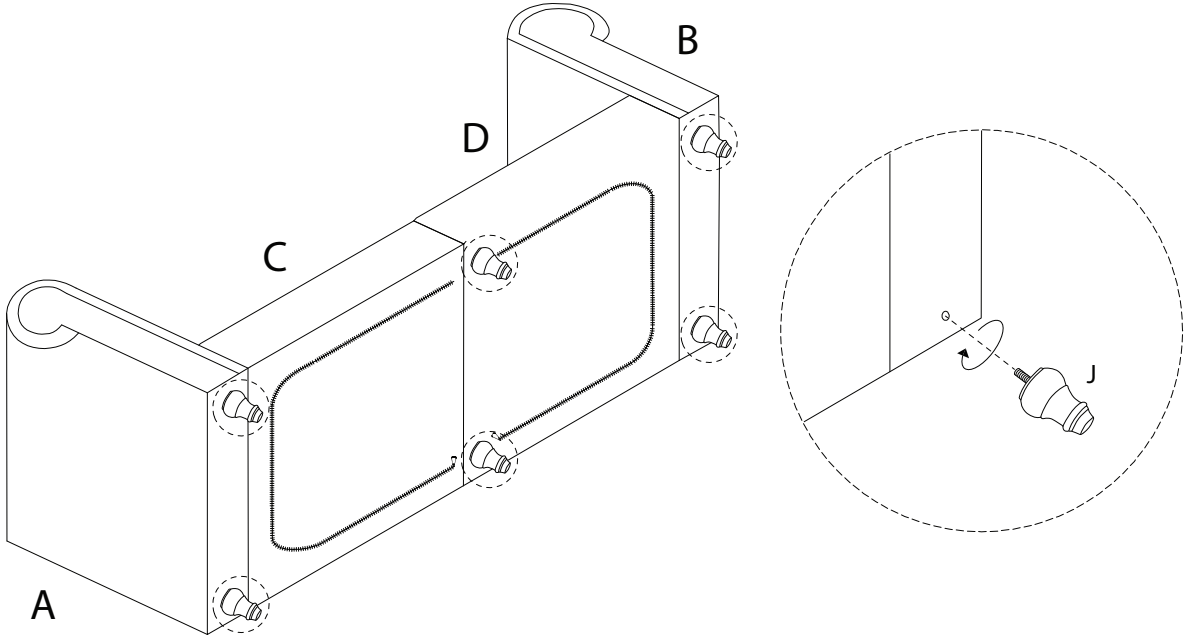
2



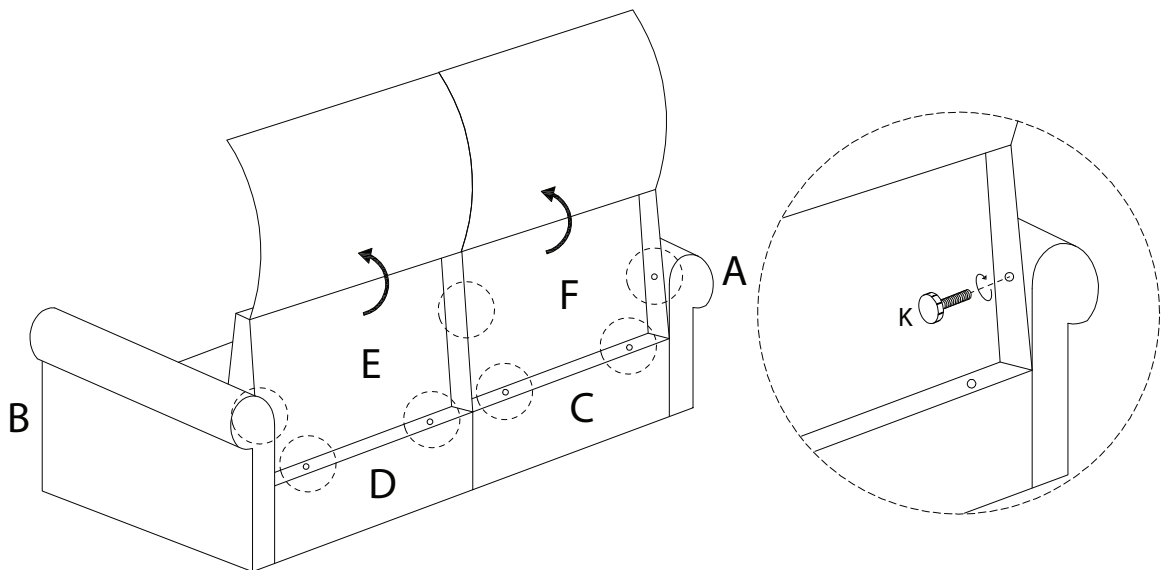
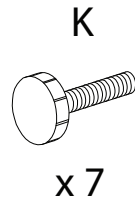
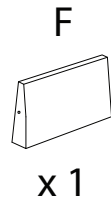
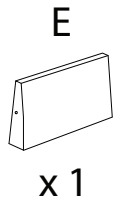
3



4

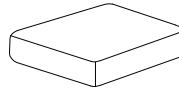


5

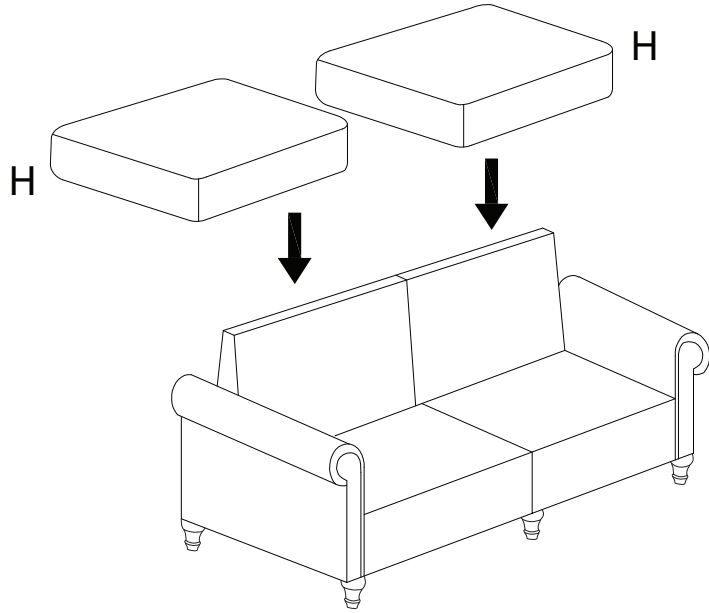


6

H

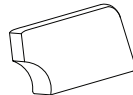


x 2

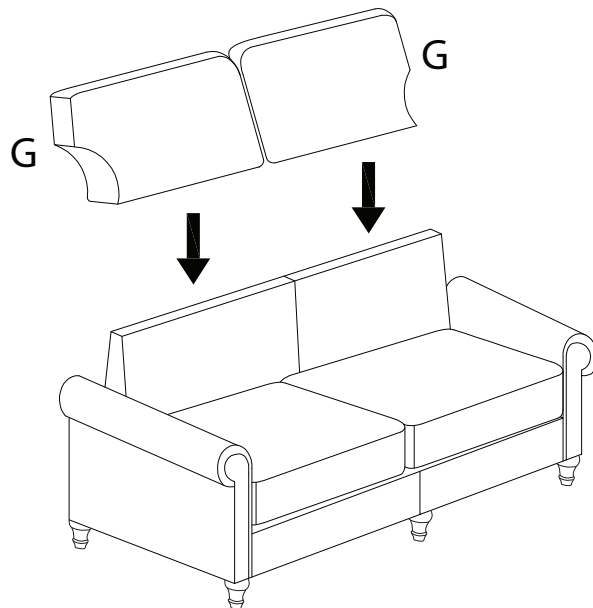


7

G



x 2



8

