


Assembly Instructions

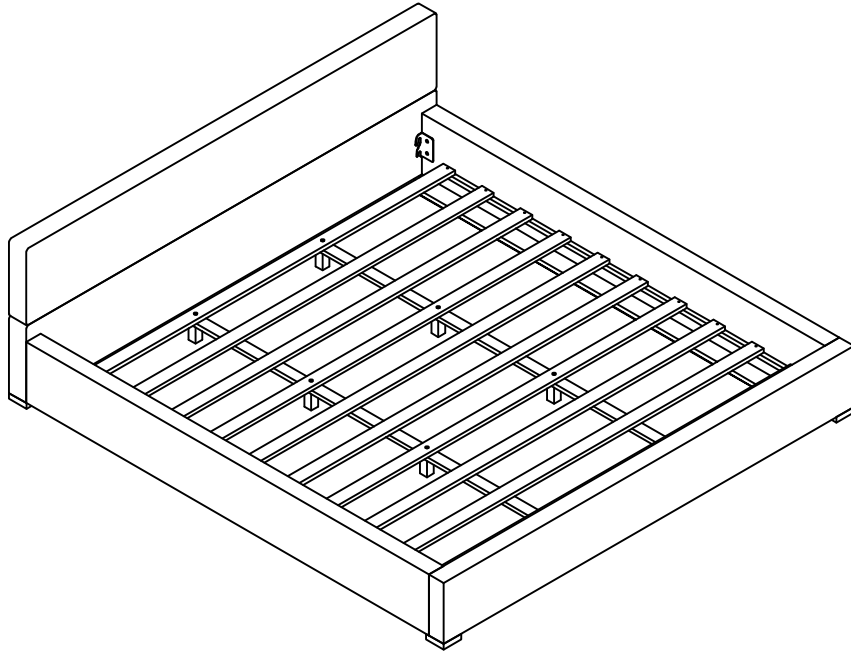
Caution : You must read this before you proceed

Care & Maintenance

- Ø  • Not for commercial use. For residential use only.
- P  • Furniture may scratch floors. We recommend using furniture pads to protect your floors.
- Ø  • Do not put hot items directly on furniture surface.
- Ø  • Do not clean furniture with harsh cleansers or polish.
- Ø  • Do not place furniture under direct sunlight.
- Ø  • Do not place furniture near heating or cooling vents.
- Ø  • Do not write on furniture without a padded barrier to protect the surface.
- Ø  • Do not place furniture outside . For indoor use only.
- Ø  • Stains may be removed with mild soap solution and damp cloth.
- Ø  • Children should not climb or jump on the furniture.
- P  • Dust and pick-up spills using a clean, non-colored, lint-free cloth.

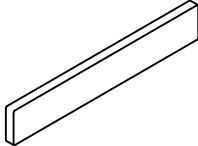
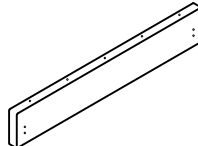
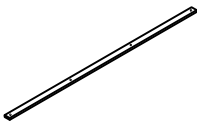
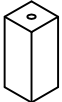
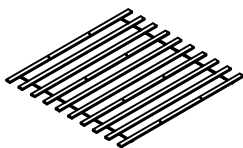
Please look in carton for hardware packs and legs.
Sets often ship in multiple boxes and may arrive a day or two apart.

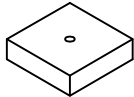



Upholstered Bed



Parts List:

Box: 1/2

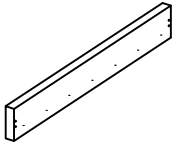
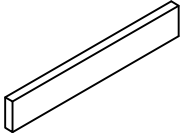
Label	Picture	Description	QTY
A		Head board	1
B		Bottom board	1
E		Center support bar	2
F		Middle support leg	8
G		Slats	1

H		Legs	4
I1		Connector	2
I2		Connector	2
J		Side support bar	2

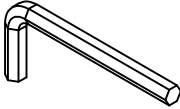
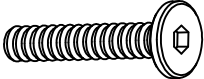
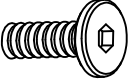







HARDWARE



Parts List:
Box: 2/2

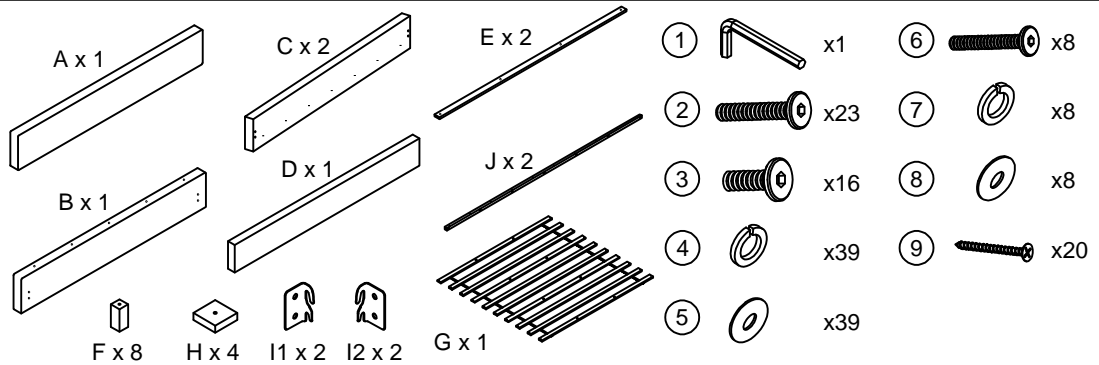
Label	Picture	Description	QTY
C		Side rail	2
D		Foot board	1

Hardware

Label	Picture	Description	QTY
1		Allen Wrench 4mm	1
2		Hex-head Bolt Ø5/16" x 40mm	24
3		Hex-head Bolt Ø5/16" x 25mm	17
4		Spring Washer Ø5/16"	40
5		Flat Washer Ø5/16"	40
6		Hex-head Bolt Ø1/4" x 60mm	9
7		Spring Washer Ø1/4"	9
8		Flat Washer Ø1/4"	9
9		Screw Ø4mm x 25mm	21
10		Screwdriver (Not provided)	1

Assembly Preparation

Before
Bebinning
Assembly:



- Read instructions, cover to cover.



- Have 2 adults on hand for assembly.



- Do not assemble on flooring or carpet.



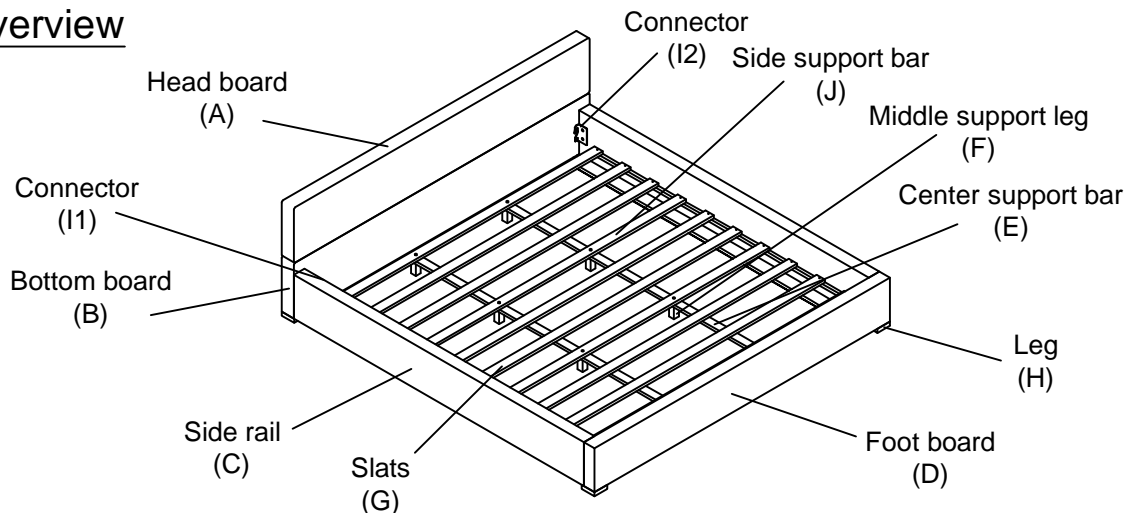
- Assemble on a clean non-marring surface (packing foam).



- Save all packaging until finished.

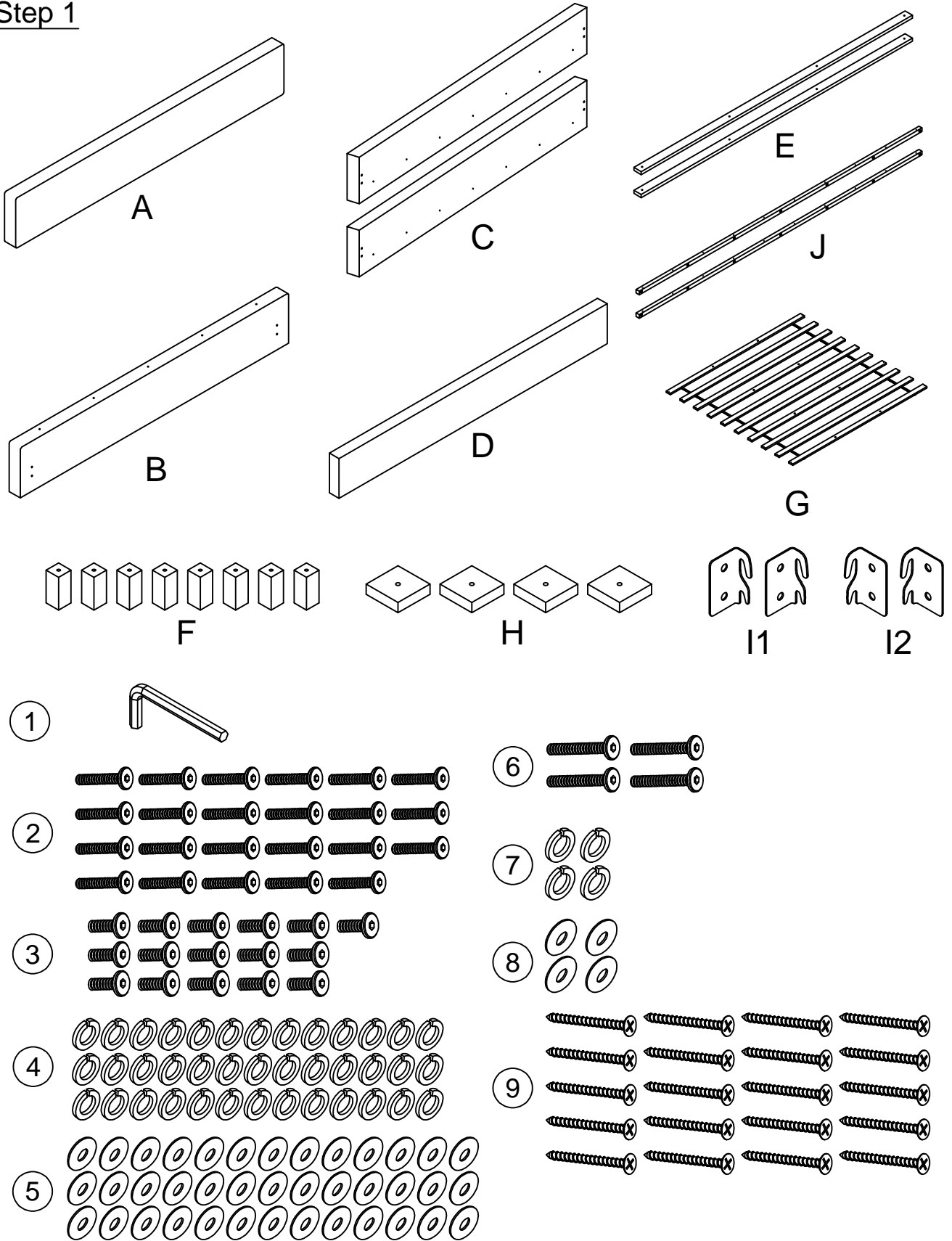
Assembly Steps

Overview



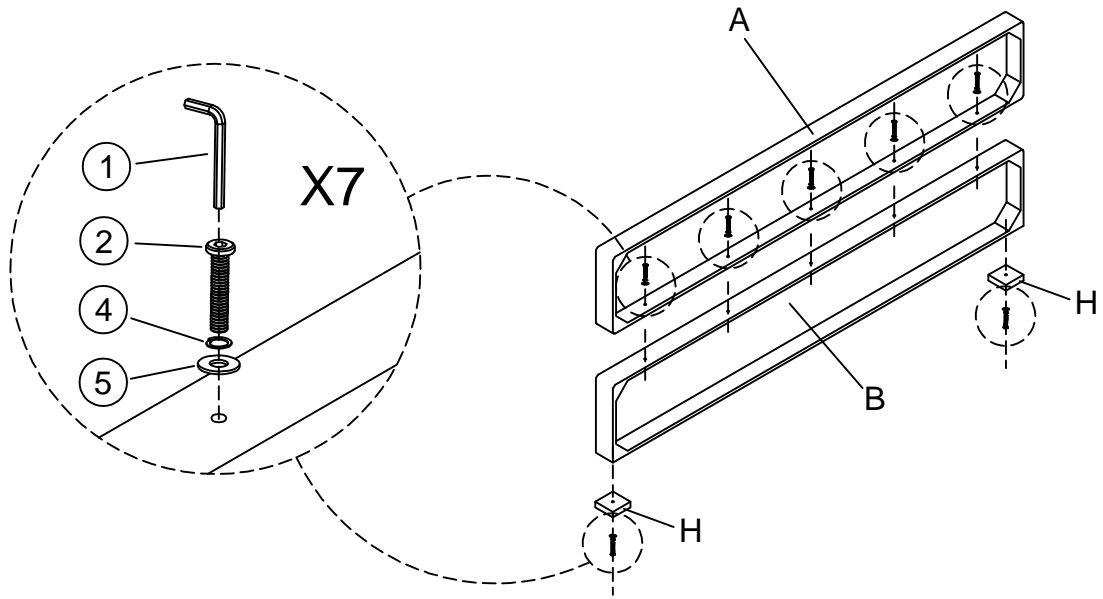
This Upholstered Bed has multiple parts and may require up to some 30 minutes to assemble. To give you an overview of the Upholstered Bed parts, the above picture is to help you put the various parts into perspective. Please read through the instructions below to familiarise yourself with the parts and steps before assembly.

Step 1



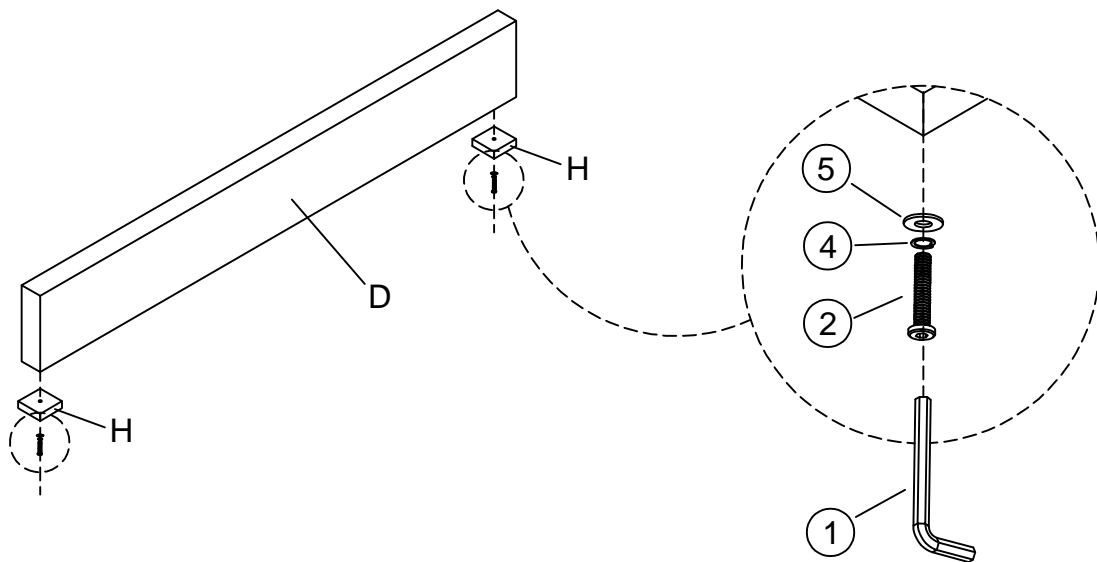
Unpack and place all the Parts and Hardware on a clean, non-marring surface.

Step 2



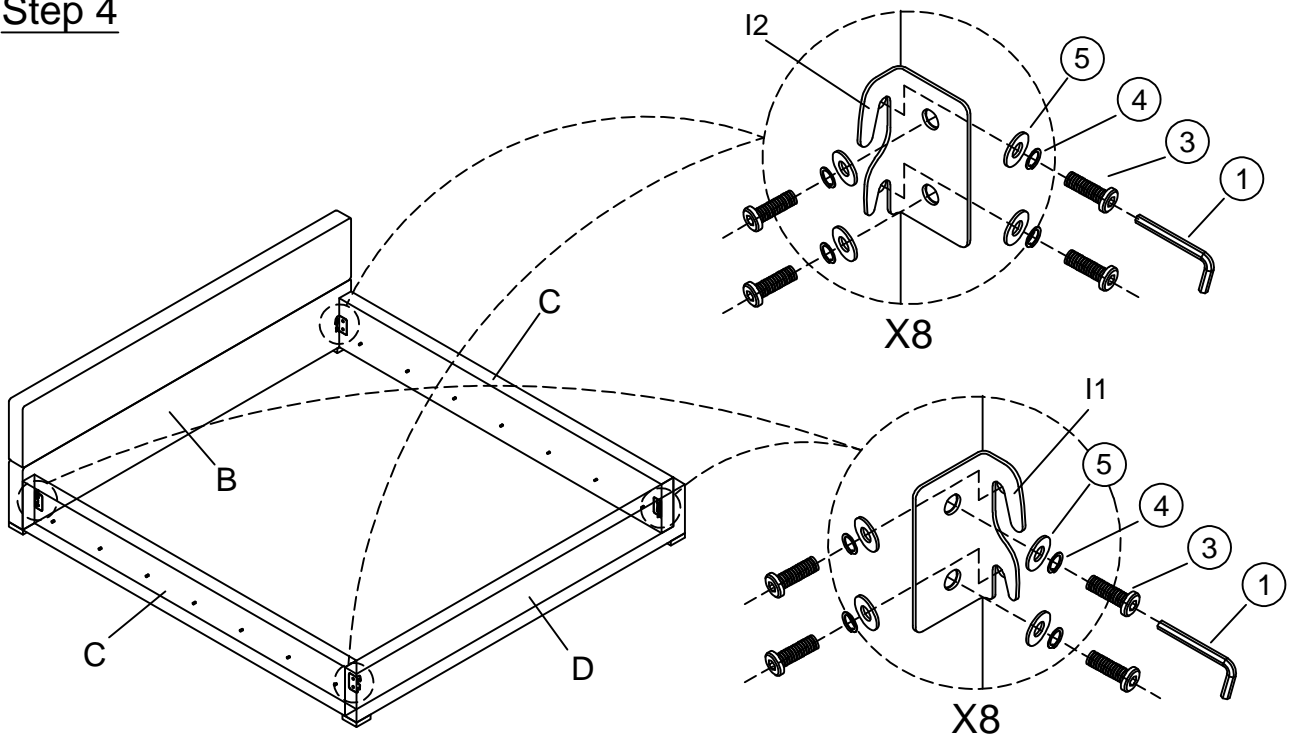
Attach Legs (H) to Bottom board (B) and Headboard (A) by using Bolt (2), Spring Washer (4), Flat Washer (5) and Allen Wrench (1).

Step 3



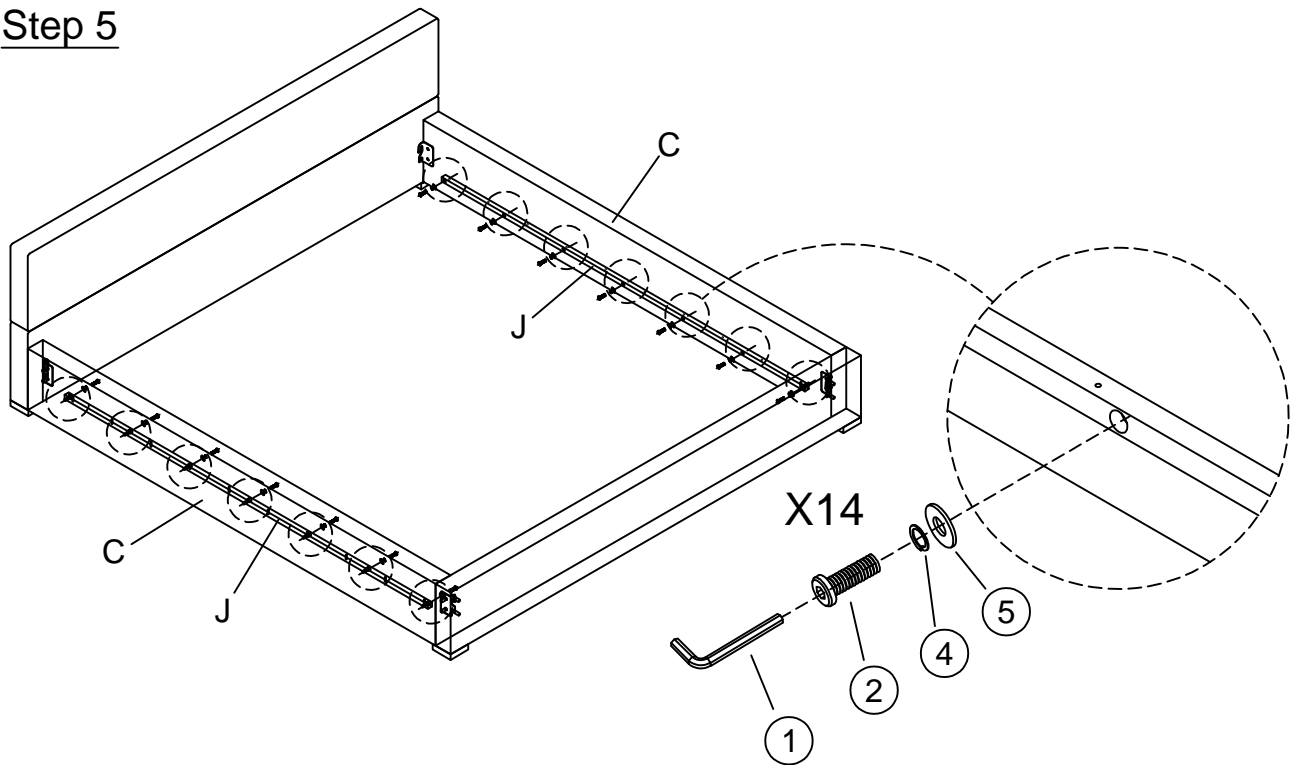
Attach Legs (H) to Foot board (D) by using Bolt (2), Spring Washer (4), Flat Washer (5) and Allen Wrench (1).

Step 4



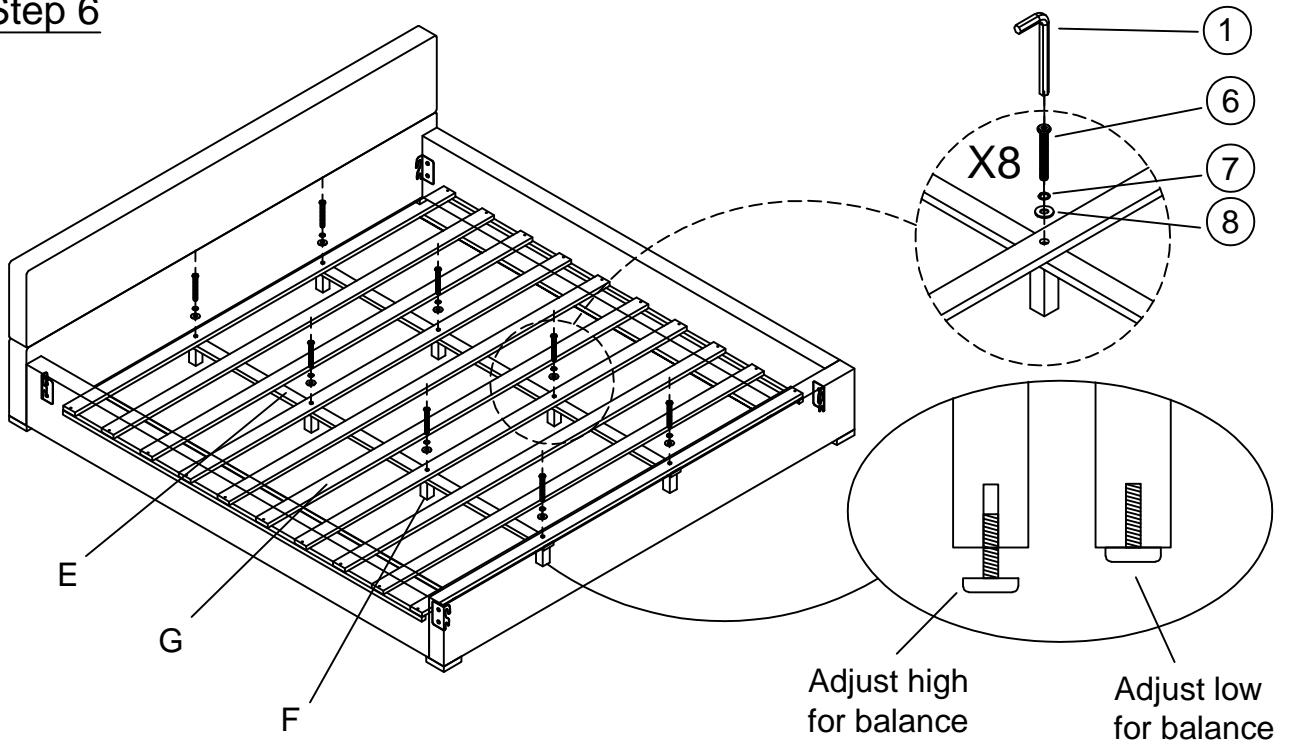
Attach Side rail (C) and Foot board (D) to Bottom board (B) by using Bolt (3), Spring Washer (4), Flat Washer (5), Connector (I1,I2) and Allen Wrench (1).

Step 5



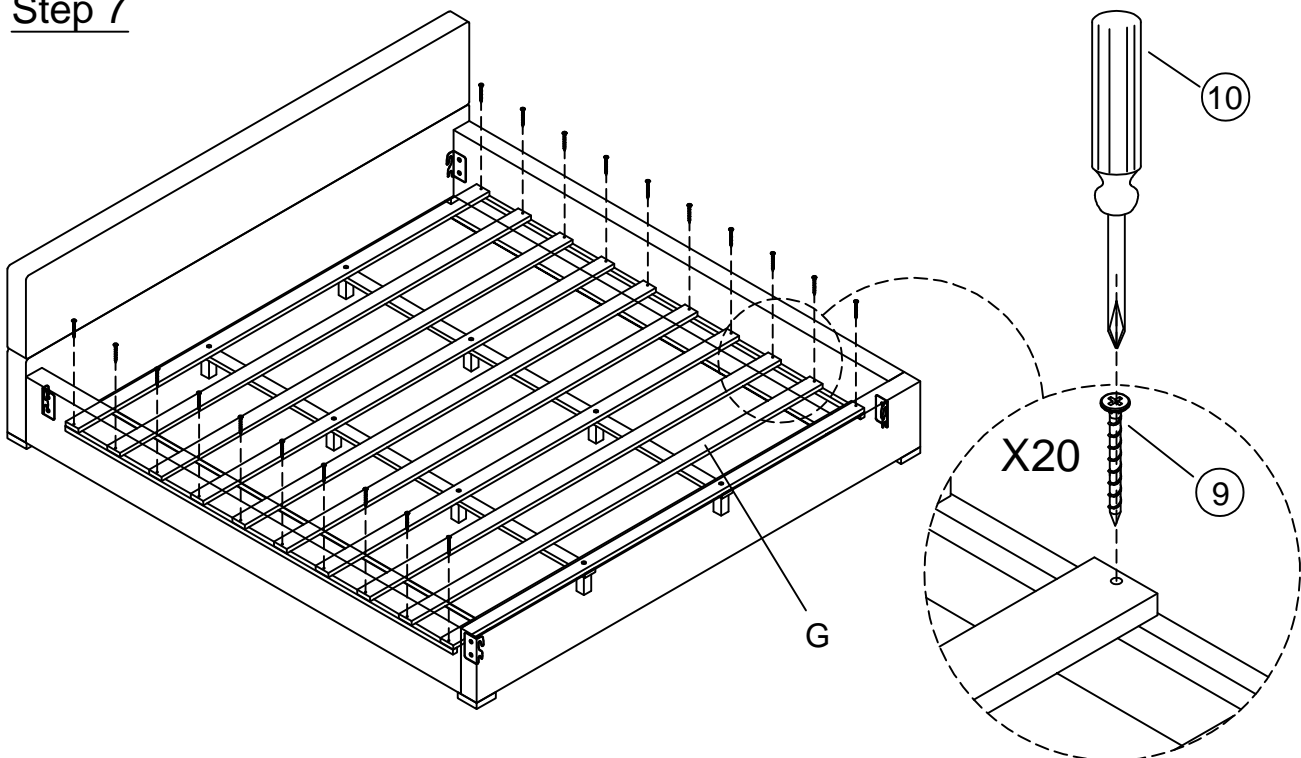
Attach Side support bar (J) to Side rail (C) by using Bolt (2), Spring Washer (4), Flat Washer (5) and Allen Wrench (1).

Step 6



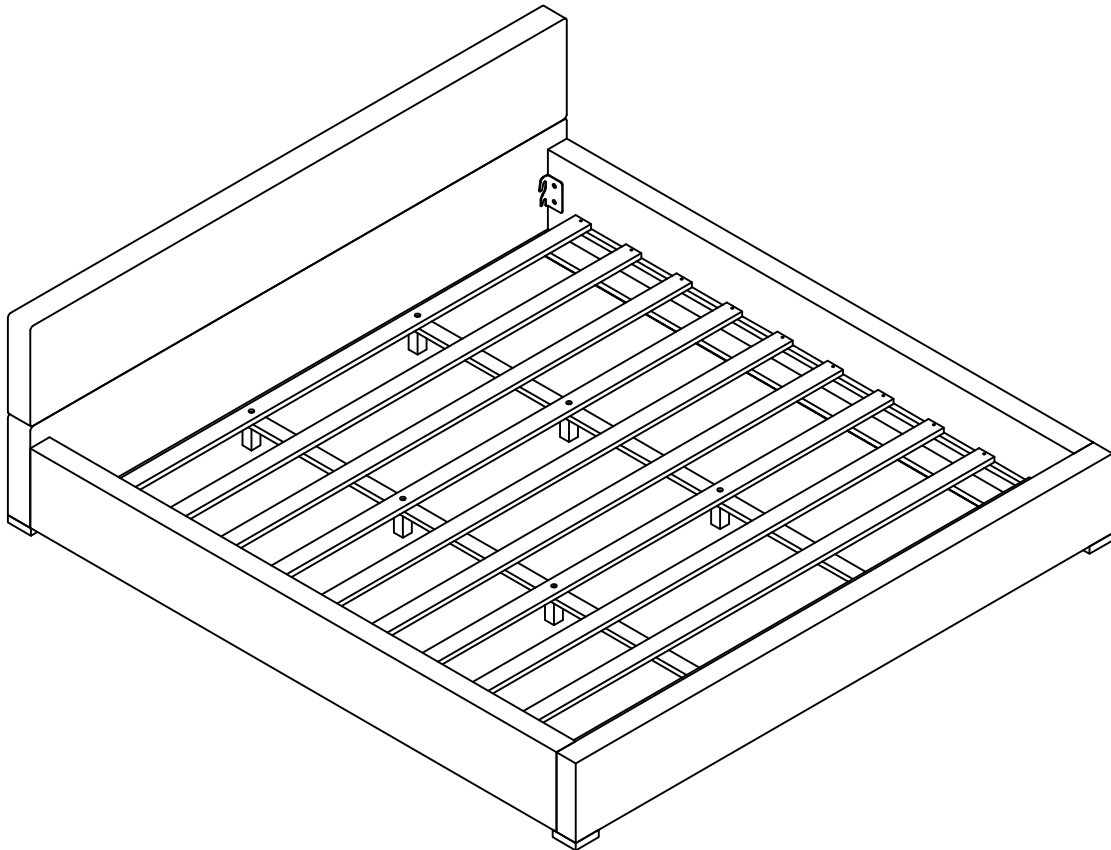
Attach Middle support leg (F) and Center support bar (E) to Slats (G) by using Bolt (6), Spring Washer (7), Flat Washer (8) and Allen Wrench (1).

Step 7



Attach Slats (G) to Side rail (C) by using Screw (9) and Screwdriver (10).

Finish



This Upholstered Bed is ready for use.
This Upholstered Bed can only be used on a flat, level surface.