

## WARNING

- \* Switch off the main electrical supply from the main fuse box / circuit breaker before installation.
- \* Inspect item carefully before attempting to install.
- \* If there is any damages or obvious defects, do not install.
- \* Item may not be returned once it has been installed.









## CARE AND MAINTENANCE

- \* To clean the outside of the fixture, use a dry or slightly dampened clean cloth (use clean water, never a solvent) to wipe the surface of the fixture.
- \* To clean the inside of the fixture, first disconnect power to the fixture by turning off the circuit breaker or by removing the fuse at the fuse box. Next, use a dry or slightly dampened clean cloth (use clean water, never a solvent) to wipe the interior surface of the fixture.
- \* Do not use any cleaners with chemical, solvents or harsh abrasives. Use only a dry soft cloth to dust or wipe carefully.

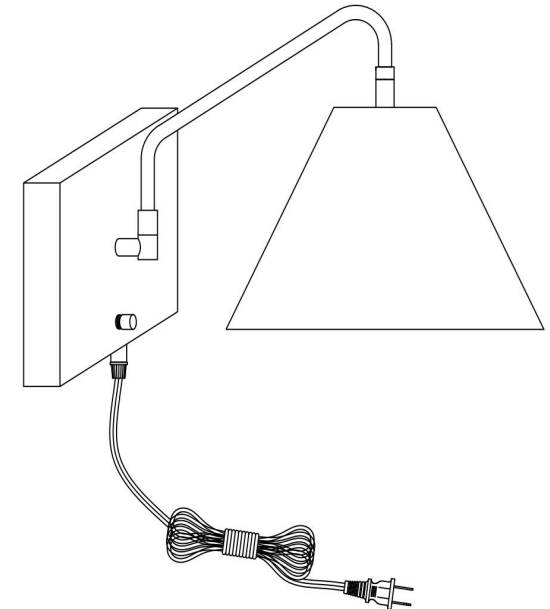
## NOTICE& IMPORTANT SAFETY INSTRUCTIONS

- \*\* WE RECOMMEND INSTALLATION OF THIS LIGHTING FIXTURE BE DONE BY A LICENSED ELECTRICIAN \*\*
- \* Please make sure that you have all parts indicated before you begin assembly of this item
- \* This item should be assembled on a soft surface to prevent scratching the finish during assembly
- \* To reduce the risk of fire, electrical shock or injury to persons or property, please follow the guideline below for safe use and installation
- \*The external flexible cable or cord of this lamp cannot be replaced
- If the cord is damaged, the lamp shall be destroyed

### Part List and Hardware List

PIECE	DESCRIPTION	PICTURE	QUANTITY	PIECE	DESCRIPTION	PICTURE	QUANTITY
A	Wall Anchors		2X	G	Lamp Body		1X
B	Wood Screw		2X	H	Shade		1X
C	mounting plate		1X	I	Socket Ring		1X
D	Mounting Screw		2X	J	Bulb		1X
E	Wire Connector		3X	K	Ground Screw		1X
F	Retaining Screw		4X				

**Product Dimensions: 10.5"W X 13"H X16"E**

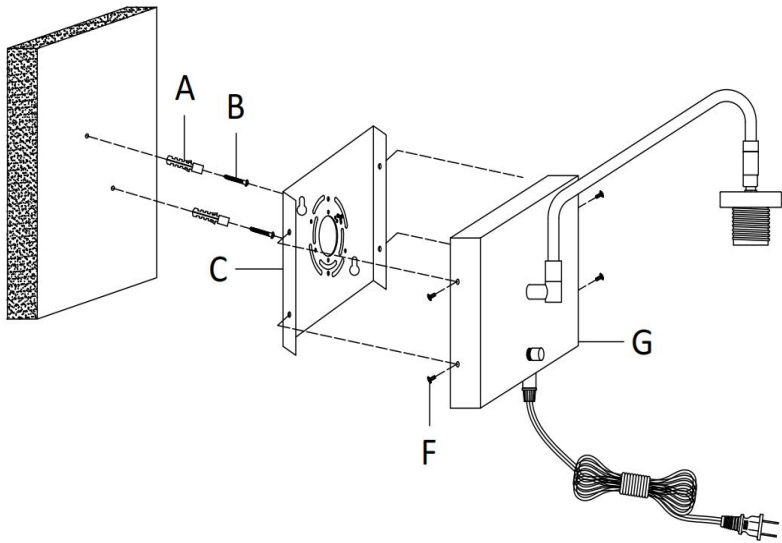


## PREPARATION

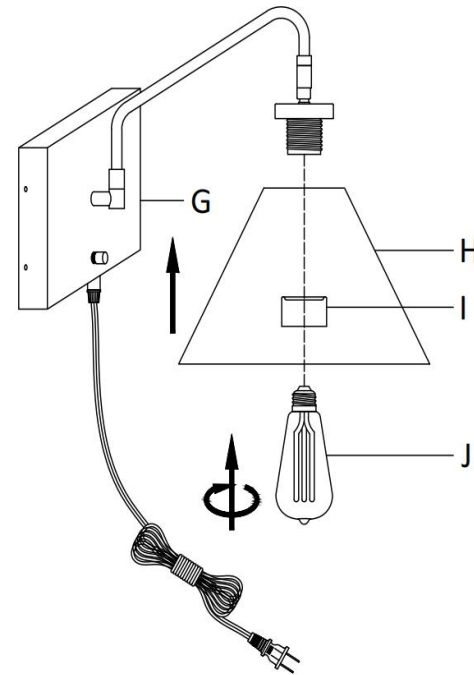
- \* Before beginning assembly of product, make sure all parts are present. Compare parts with package contents list and hardware contents list.
- \* If any part is missing or damaged, do not attempt to assemble the product.
- \* Estimated Assembly Time: 20 minutes.
- \*

**NOTE: PLEASE USE TYPE"A" BULB MAX 40-WATT OR LED BULB MAX 9-WATT, THERE IS 1PC LED 4-WATT BULB IN THE BOX**

### Installation to wall



**Step 1:** Unpack all parts from cartons carefully. Determine the location for the Lamp Body (G). Using the Mounting Plate (C) as a template, mark the location of the holes for the Wall Anchors (A). Drill the appropriate size holes for the Wall Anchors (A). (the holes should be slightly smaller than the size of the Anchors (A).) Install the Wall Anchors (A) to the hole. Secure Wood Screw (B) to the Anchors (A). Attach the Mounting Plate (C) to the Lamp Body (G) and secure with Retaining Screw (F). Place the lamp to the wall, slip in the key hole of the Mounting Plate (C) in the Wood Screw (B).

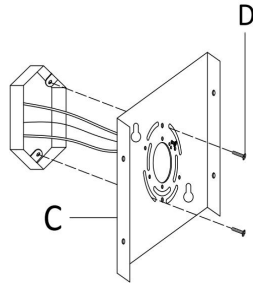


**Step 2:** Place the Shade (H) over the socket, then secure with the Socket Ring (I). Insert the bulb (J) into the Socket. Hold the arm of the Lamp Body (G) can turn the lamp body left and right, can adjust the direction of shade (H).

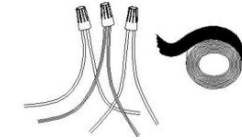
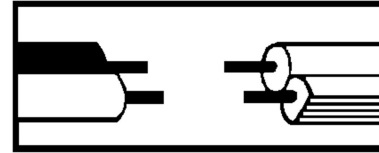
## PREPARATION

- \* Before beginning assembly of product, make sure all parts are present. Compare parts with package contents list and hardware contents list.
- \* If any part is missing or damaged, do not attempt to assemble the product.
- \* Estimated Assembly Time: 20 minutes.
- \*

### Installation to outlet box:



**Step 1:** Unpack all parts from cartons carefully. Separate the Mounting Plate (C) from the Lamp Body (G) by removing the Retaining Screw (F) anti-clockwise. Fix the Mounting Plate(C) to the junction box with Mounting Screw (D).If the cord of the Lamp Body (G) is too long, the cut the excess cord. Make sure to leave at least 6-in for wiring. Pull the power cord into the face plate of the lamp Body (G) and separate it, Tail peeling 1/2".



#### Step 2: Wire connection

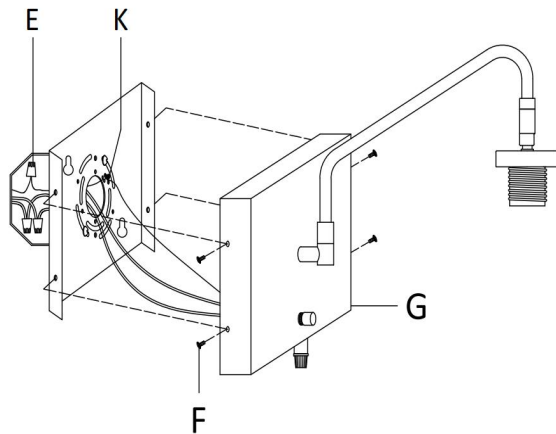
Connect fixture neutral wire (ribbed) to the outlet box neutral wire (usually white) using a wire connector (E).

Connect fixture hot wire (smooth with markings) to the outlet box hot wire (usually black) using a wire connector (E).

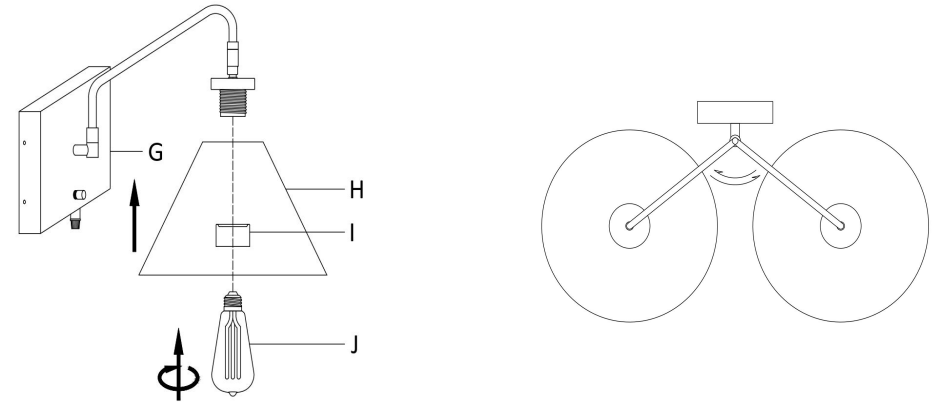
CAUTION: Do not reverse the hot and neutral connections

#### Grounding Instructions:

Wrap ground wire from outlet box around green ground screw(K) on mounting bracket, no less than 2" from wire end. Tighten ground screw. If fixture is supplied with a ground wire, connect to outlet ground wire with a wire connector (E).



**Step 3:** Tuck wires inside junction box. Attach the Lamp Body (G) to the Mounting Plate (C) and secure with Retaining Screw (F).



**Step 4:** Place the Shade (H) over the socket, then secure with the Socket Ring (I). Insert the bulb (J) into the Socket. Hold the arm of the Lamp Body (G) can turn the lamp body left and right, can adjust the direction of shade (H).