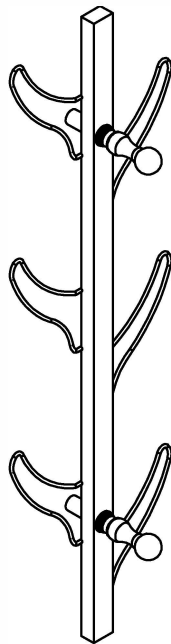


# ASSEMBLY INSTRUCTION

---

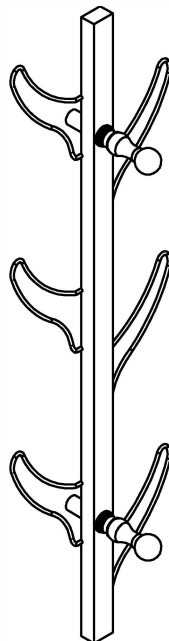


# ASSEMBLY INSTRUCTION

## **PLEASE READ BEFORE ASSEMBLING!**

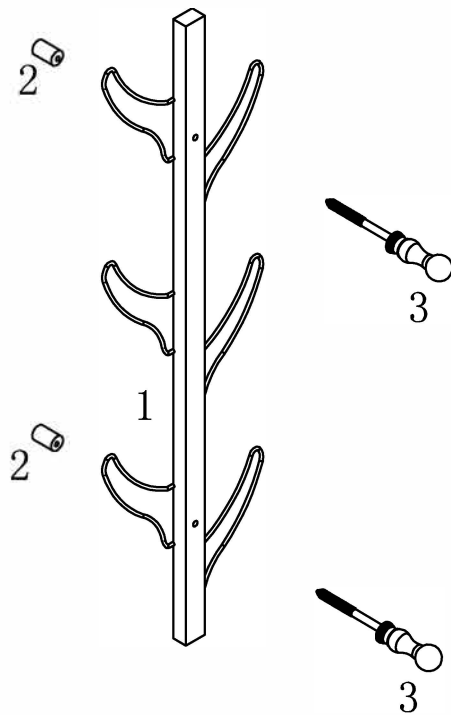
Tip #1: Make sure you've taken all the pieces and hardware out of its packaging before discarding the box.

Tip #2: Using page 2 and/or page 3 of instruction manual make sure all pieces and hardware are accounted for.



# PARTS IDENTIFICATION

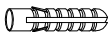
---



(1)	1pc
(2)	2pcs
(3)	2pcs

# HARDWARE IDENTIFICATION

A



ø8x40

2PCS

## STEP 1

