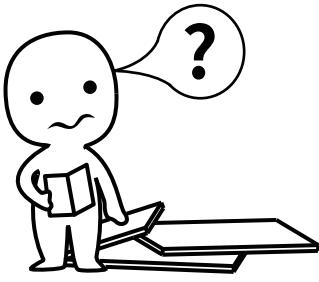


INSTALLATION

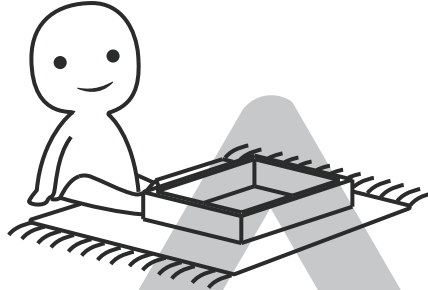
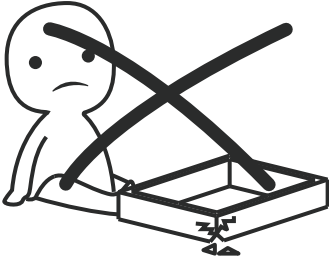
Product Manual

Version: 200066-00-24A-SY



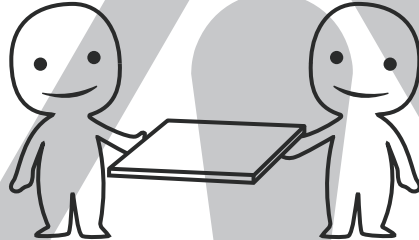
IMPORTANT INFORMATION!

please read the entire manual before starting to assemble and/or using this product. follow the manual thoroughly and keep it for further reference.



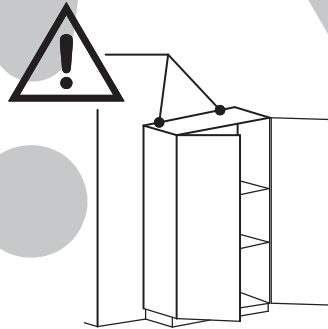
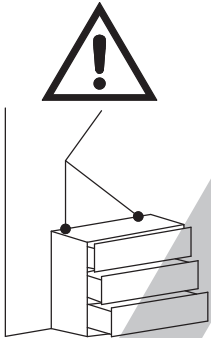
AVOID SCRATCHES!

In order to avoid scratching this furniture should be assembled on a soft layer- could be a rug.



IMPROVE EFFICIENCY !

Try to find a partner to install with you, which can speed up the installation efficiency and shorten the time.



ANTI-TOPPLE WARNING !

Overturned furniture can cause serious or fatal crush injuries. To prevent tipping over, be sure to use the wall attachment, if not included with this product. Please purchase the wall attachment that fit your wall. If unsure, seek professional advice. Please read and follow each step of the instructions carefully.

IMPORTANT !

It is important that any product which is assembled using any kind of screw is re-tightened 2 weeks after assembly, and once every 3 months - in order to assure stability through-out the lifespan of the product.

For regular maintenance and cleaning of the product, for the frame, please use a rag dipped in neutral detergent to fully wipe it, and then dry it with a clean rag. For glass materials, wipe with a rag dampened with water glass cleaner, and then dry with a dry rag.

Do not use an electric screwdriver, and do not use too much force when installing, because the board is easy to break.

WARNING



Children have died from furniture tipover. To reduce the risk of furniture tipover:

- . ALWAYS install tipover restraint provided.
- . NEVER put a TV on this product.
- . NEVER allow children to stand, climb or hang on drawers, doors, or shelves.
- . NEVER open more than one drawer at a time.
- . Place heaviest items in the lowest drawers.



WARNING

Fall Hazard Children have suffered serious injuries after falling from changing tables. Falls can happen quickly.

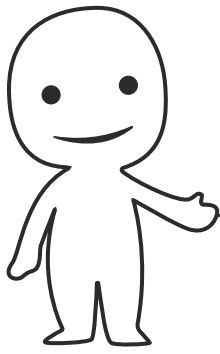
- **STAY** within arm's reach of the child.
- **ALWAYS** secure this unit to the support surface using the screws provided. See instructions.
- Read all instructions before use of the changing top.
- **KEEP THESE INSTRUCTIONS IN A SAFE PLACE FOR FUTURE USE.**
- Inspect the changing top periodically. Do not use the changing top if it is damaged or broken. Contact Delta Children's Products with any questions.
- Tighten all loose screws and bolts before each use.
- The maximum recommended weight of the child is 11kg for the changing unit.
- The maximum recommended age of the child is 12months for the changing unit.
- The changing pad used should be 43.3" x 16.1" with a maximum thickness of 1".
- Be aware of the risk of open fires and other sources of strong heat, such as electric bar fires, gas fires, etc. in the near vicinity of the changing unit.

Do not leave the child unattended

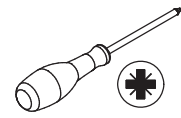
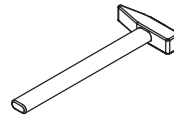
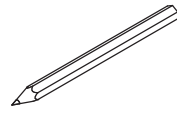


NINGBO JIANGBEI FUFU ELECTRONIC COMMERCE CO LTD

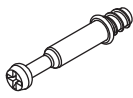

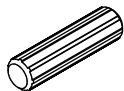
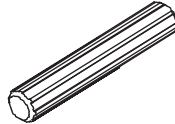
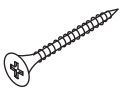



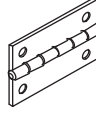

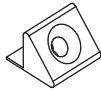



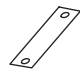
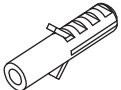
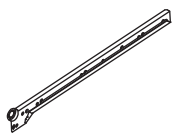
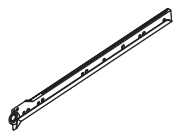
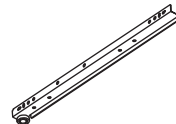
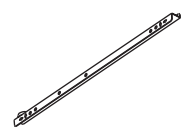
ADRESS:ROOM 702,NO.1,HUAMA HEADQUARTERS, SOUTHERN BUSINESS DISTRICT,
Yinzhou District, Ningbo City, Zhejiang Province

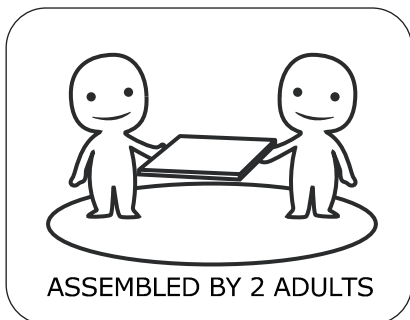
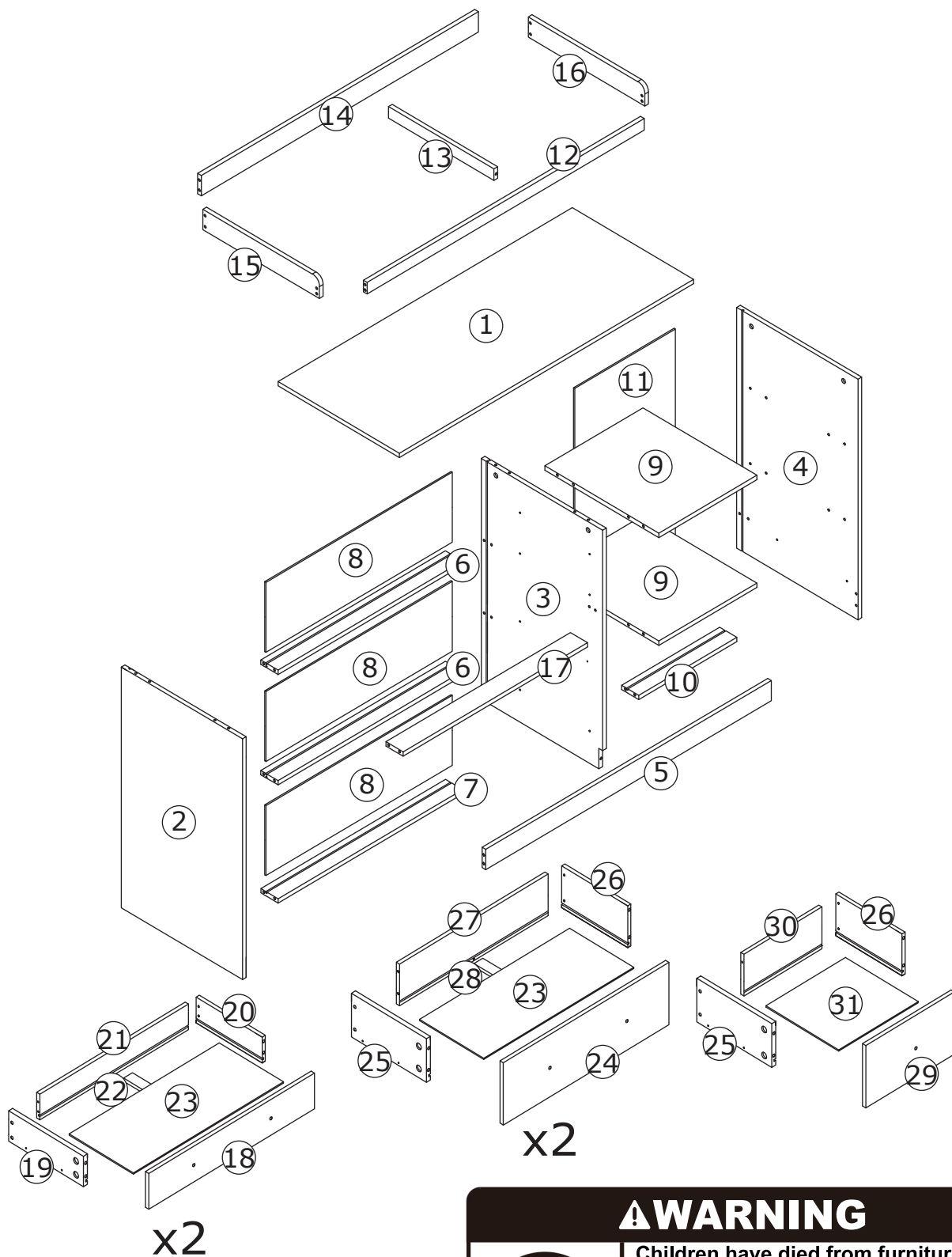


Please prepare the following tools



When installing, please carefully confirm whether each screw corresponds to the manual, accessories with similar shapes can be distinguished by size

A x 52  Ø 6 x 35 mm	B x 52  Ø 15 x 10 mm	C x 24  Ø 6 x 30 mm	D x 1  Ø 6 x 50 mm	E x 35  Ø 4 x 35 mm
F x 40  Ø 3 x 12 mm	G x 9  Ø 4 x 25 mm	H x 8  Ø 3 x 14 mm	I x 2 	J x 16  Ø 3 x 16 mm
K x 16 	L x 9 	M x 1  Ø 4 x 14 mm	N x 2 	O x 1 
P x 1  Ø 6 x 30 mm	CR x 5  350mm	CL x 5  350mm	DR x 5  350mm	DL x 5  350mm



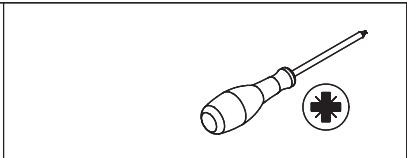
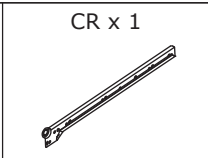
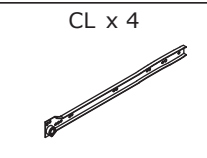
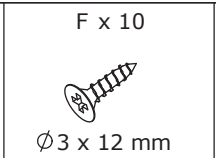
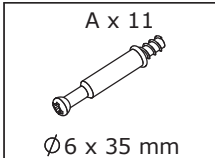
⚠ WARNING

Children have died from furniture tipover. To reduce the risk of furniture tipover:

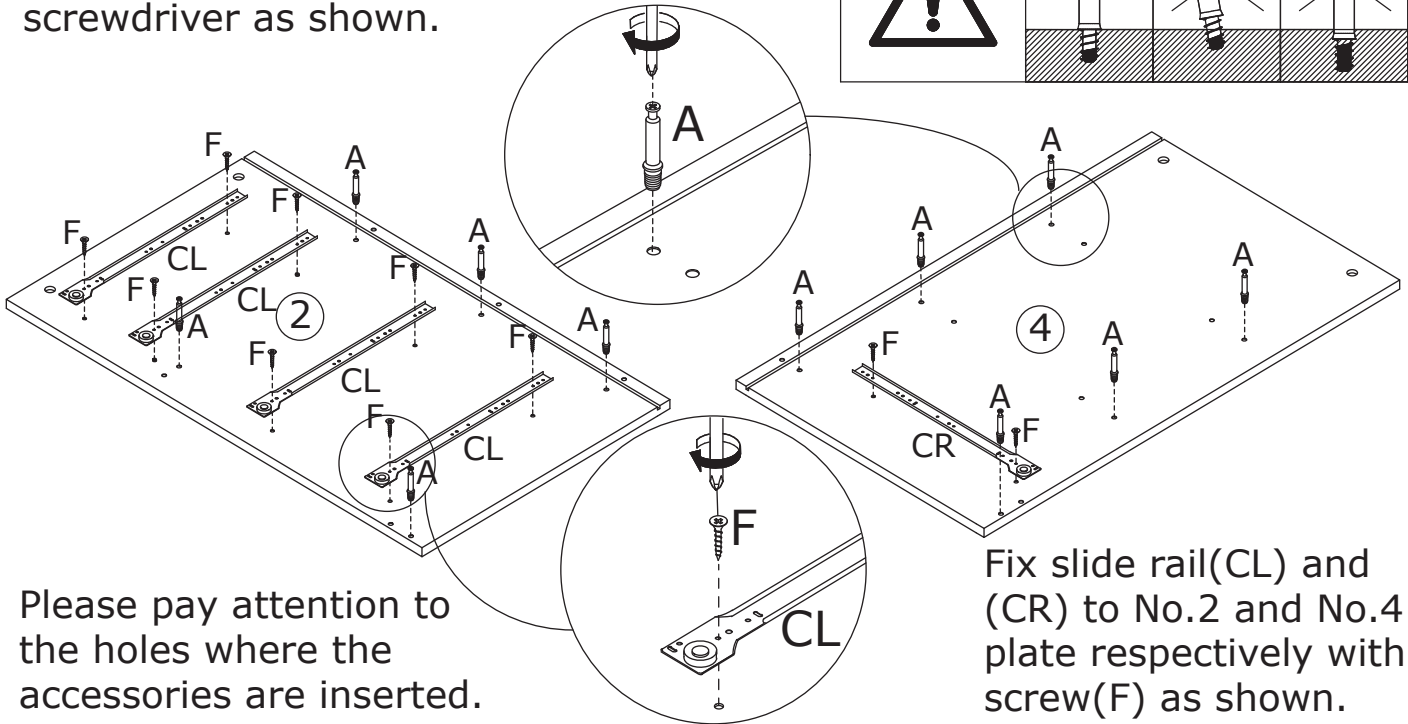
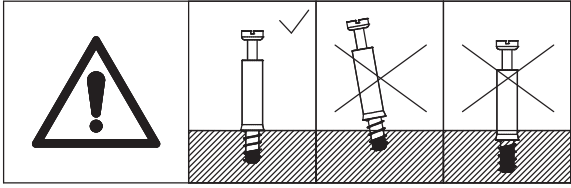
- ALWAYS install Anti-tip device provided.
- NEVER put a TV on this product.
- NEVER allow children to stand, climb or hang on drawers, doors, or shelves.
- NEVER open more than one drawer at a time.
- Place heaviest items in the lowest drawers.

This is a permanent label. Do not remove!

1



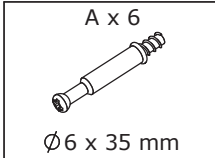
Insert quickfit screw(A) into corresponding holes in No.2 and No.4 plate with a screwdriver as shown.



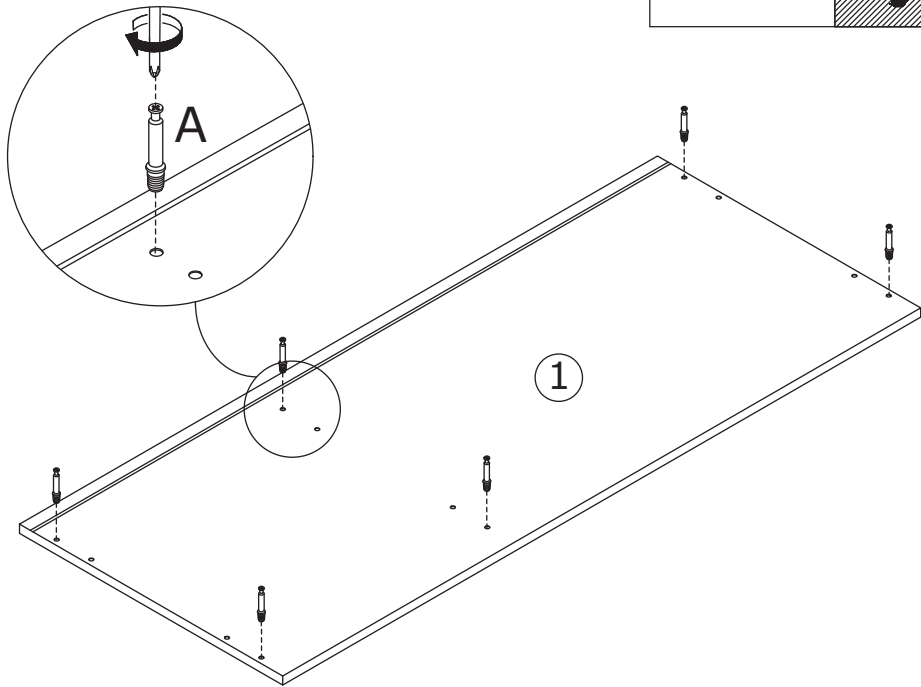
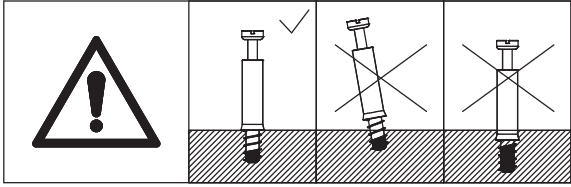
Please pay attention to the holes where the accessories are inserted.

Fix slide rail(CL) and (CR) to No.2 and No.4 plate respectively with screw(F) as shown.

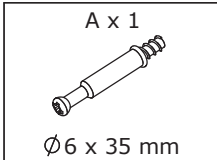
2



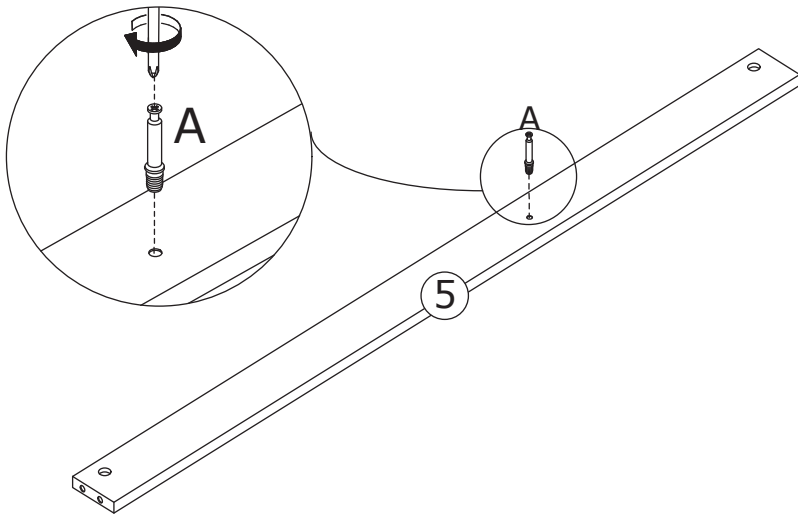
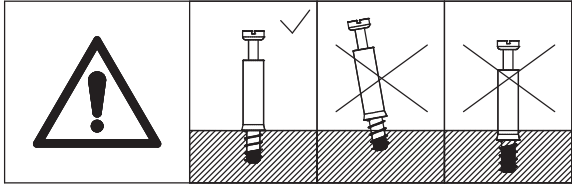
Insert quickfit screw(A) into corresponding holes in No.1 plate as shown.



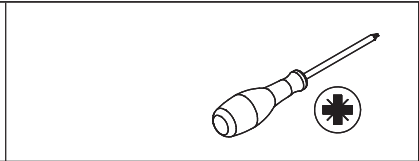
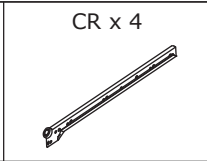
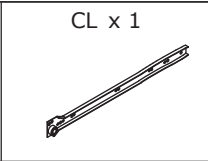
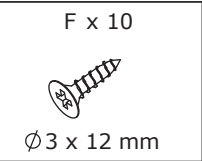
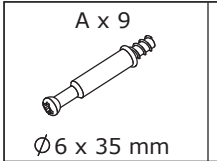
3



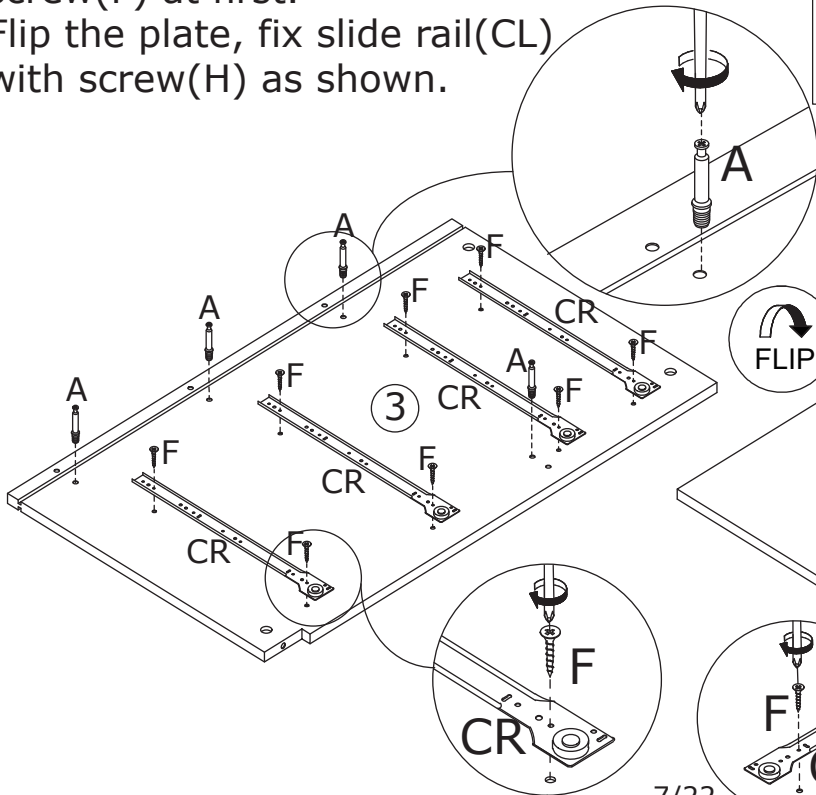
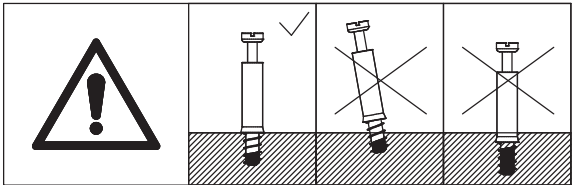
Insert quickfit screw(A) into No.5 plate as shown.



4

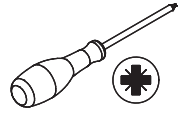
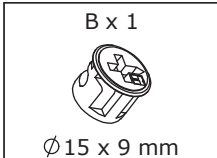


Fix slide rail(CR) to No.3 plate with screw(F) at first. Flip the plate, fix slide rail(CL) with screw(H) as shown.

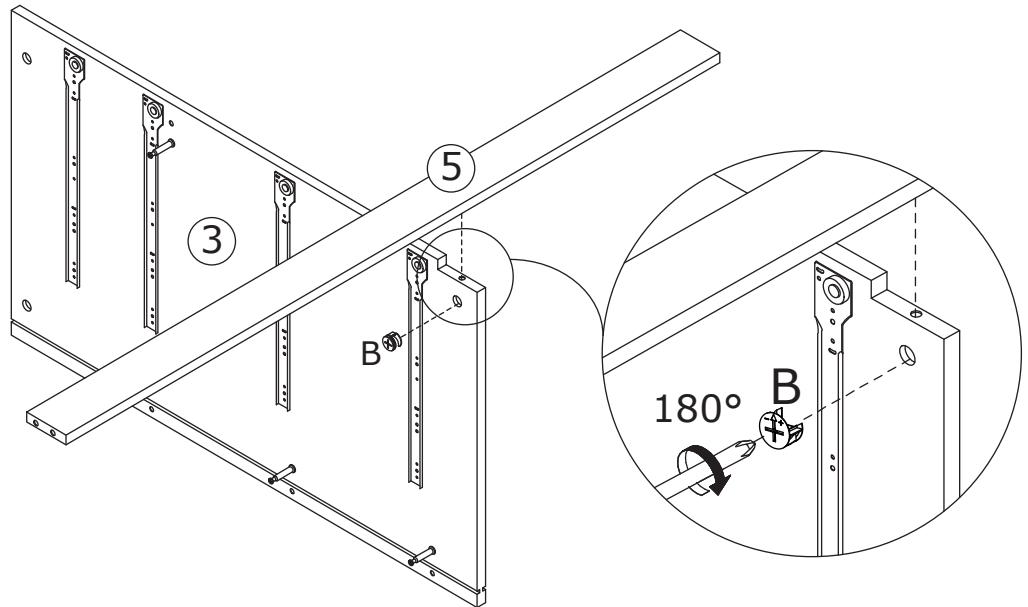
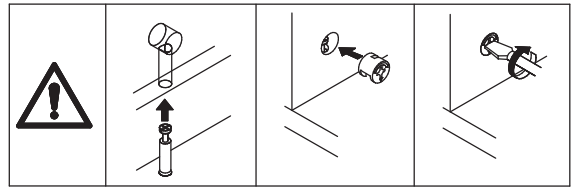


Insert quickfit screw(A) into corresponding holes in both sides of No.3 plate as shown.

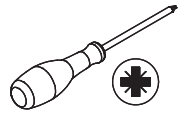
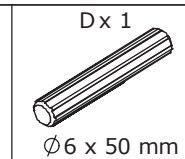
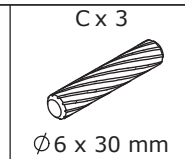
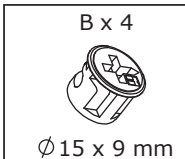
5



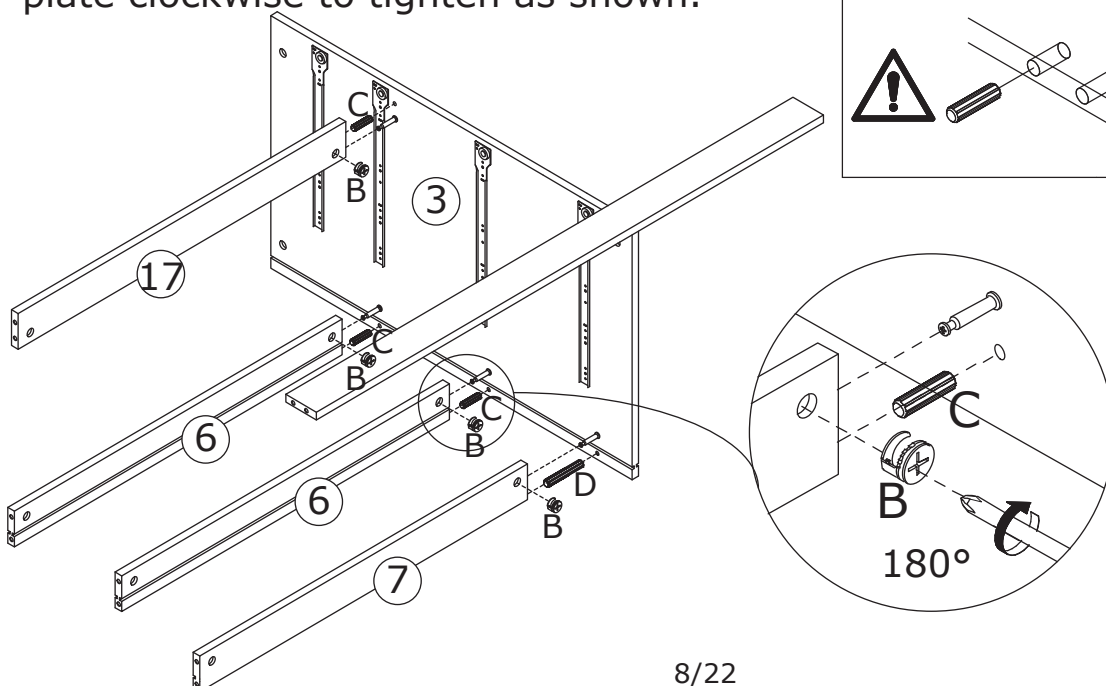
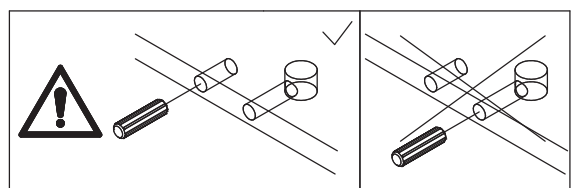
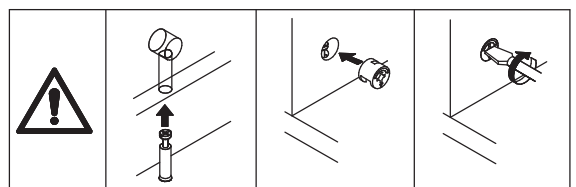
Attach No.5 to the groove of No.3 plate, turn cam lock(B) in No.3 plate clockwise to tighten as shown.



6

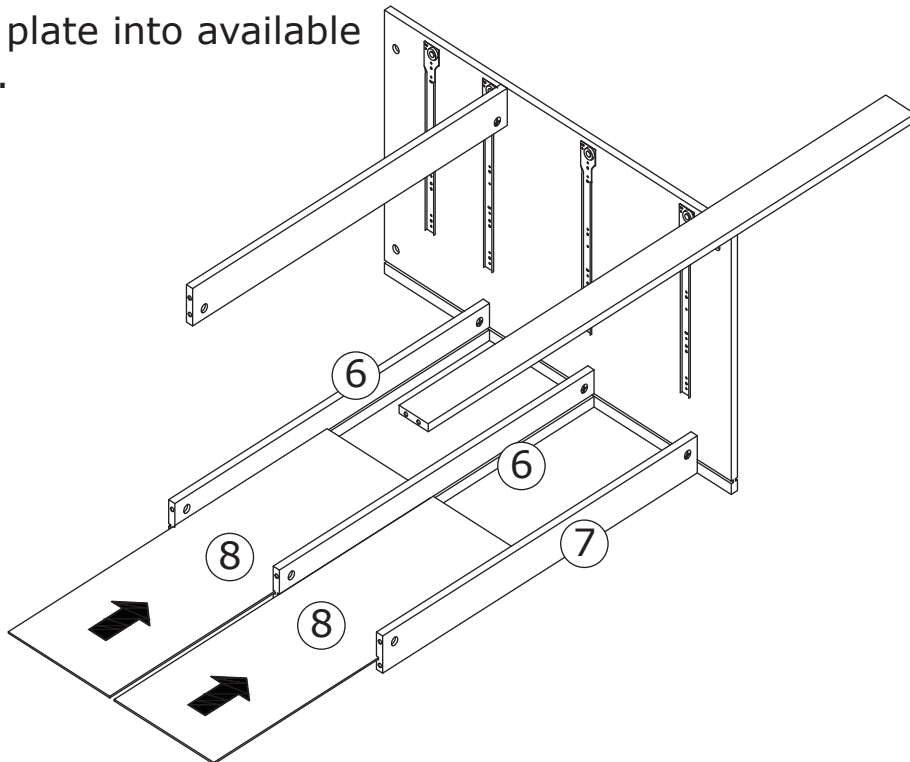


Attach No.6 and No.17 to No.3 plate with short wooden dowel(C); attach No.7 to No.3 plate with long wooden dowel(D), and then turn cam lock(B) in No.7,6,17 plate clockwise to tighten as shown.

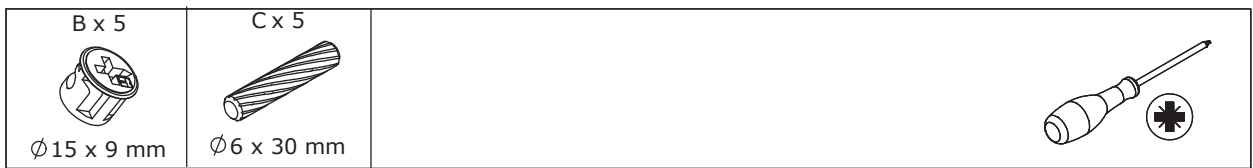


7

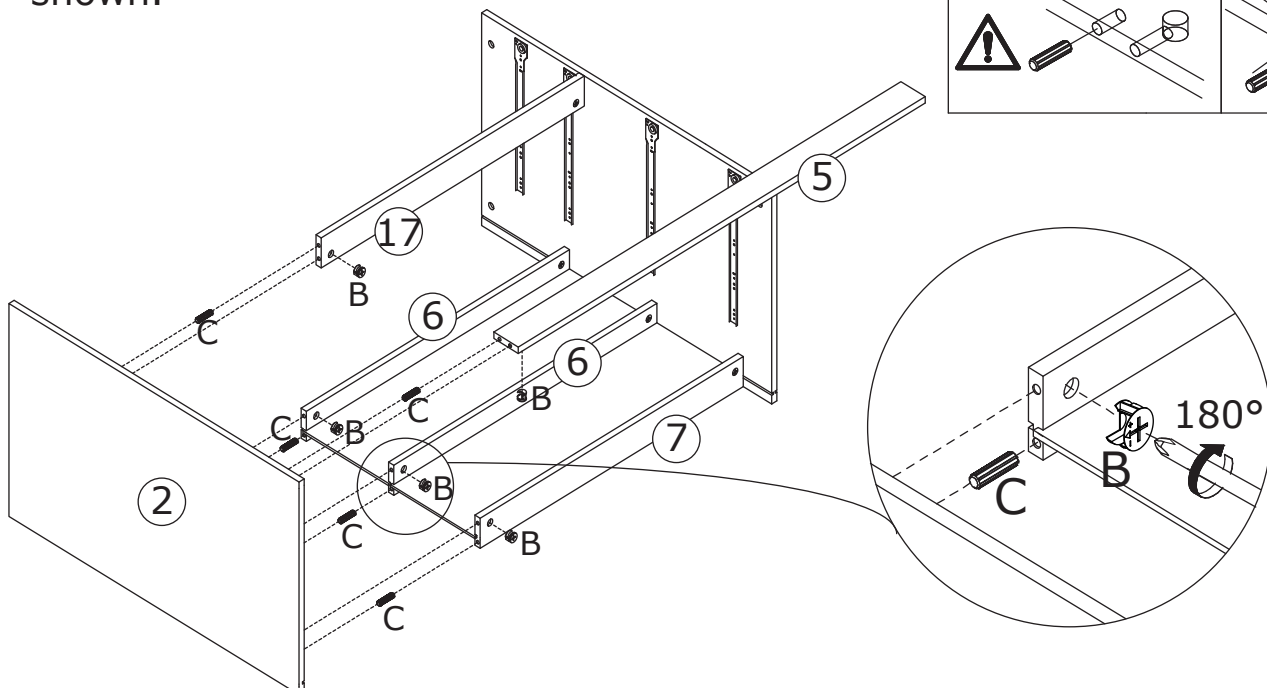
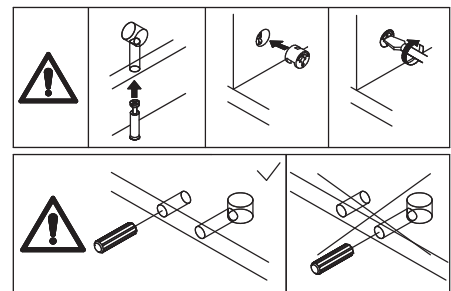
Slide No.8(x2) plate into available slots as shown.



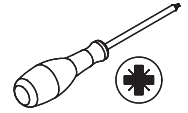
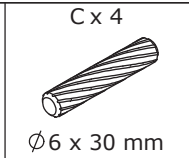
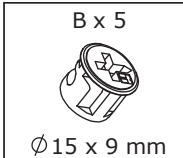
8



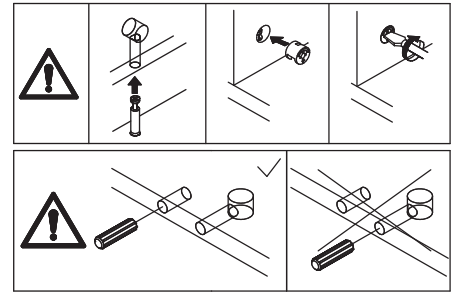
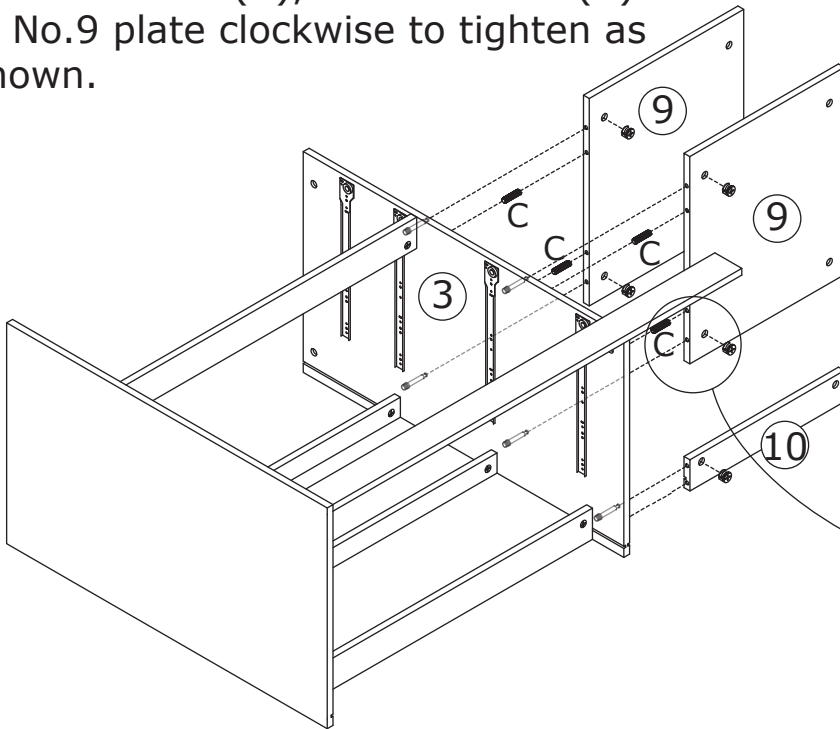
Attach No.2 plate to No.5, No.6, No.7 and No.17 plate with wooden dowel(C), turn cam lock(B) clockwise in No.5, 7, 6, 17 plate to tighten as shown.



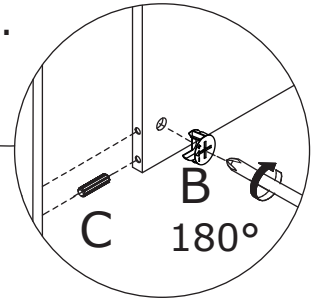
9



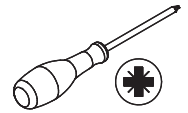
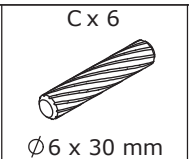
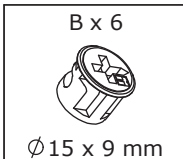
Attach No.9(x2) to No.3 plate with wooden dowel(C), turn cam lock(B) in No.9 plate clockwise to tighten as shown.



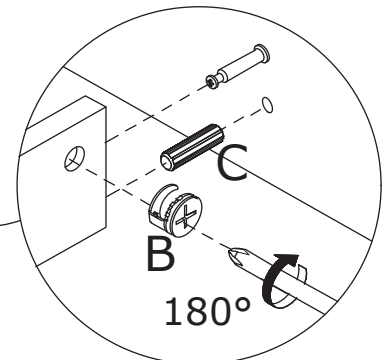
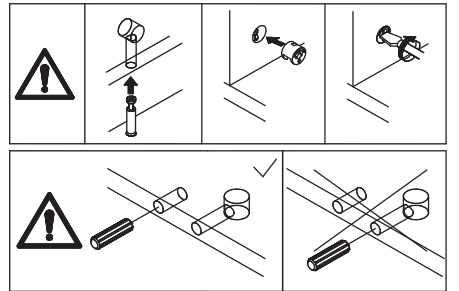
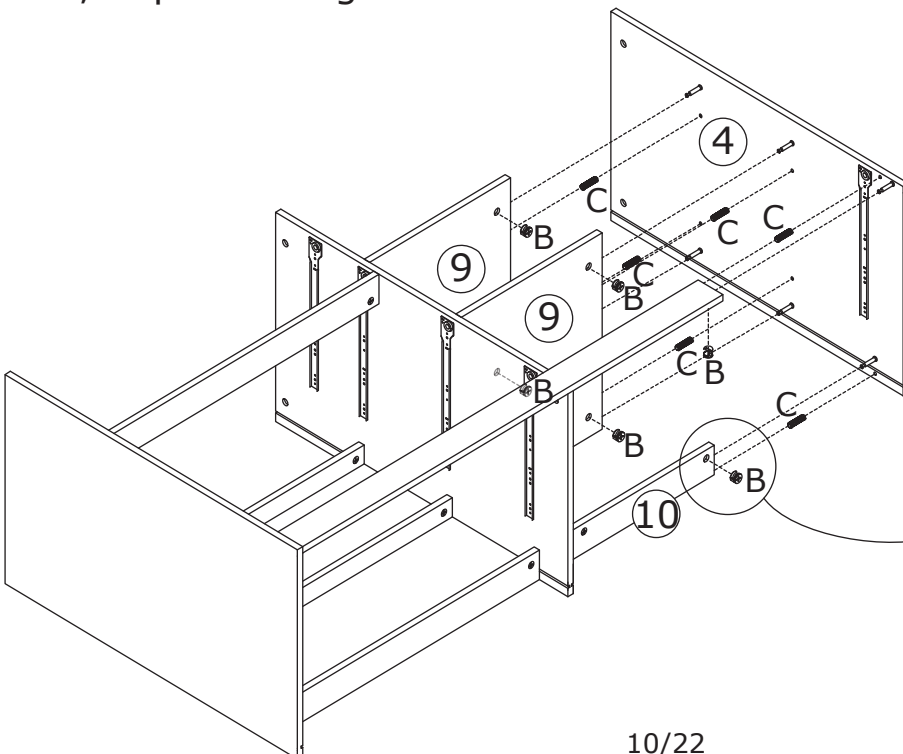
Connect No.10 plate with the assembled long wooden dowel(D), turn cam lock(B) in No.10 plate clockwise to tighten as shown.



10

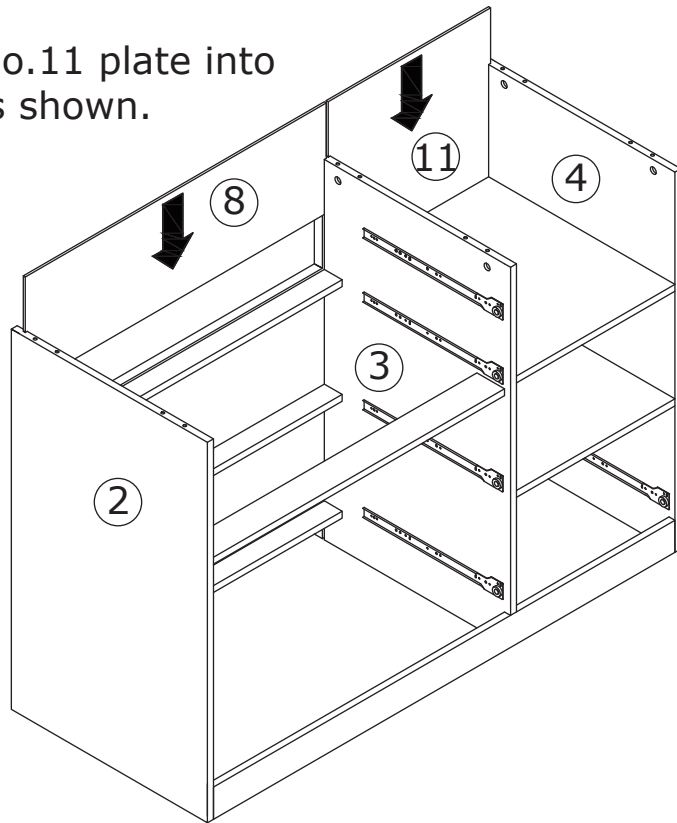


Attach No.4 plate to No.9 and No.10 plate with wooden dowel(C), turn cam lock(B) clockwise in No.9,10 plate to tighten as shown.



11

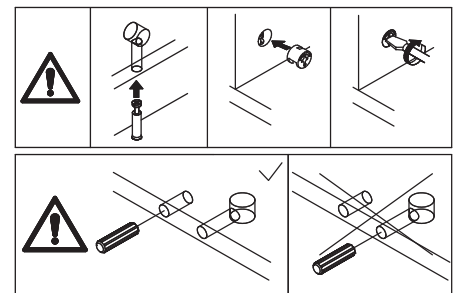
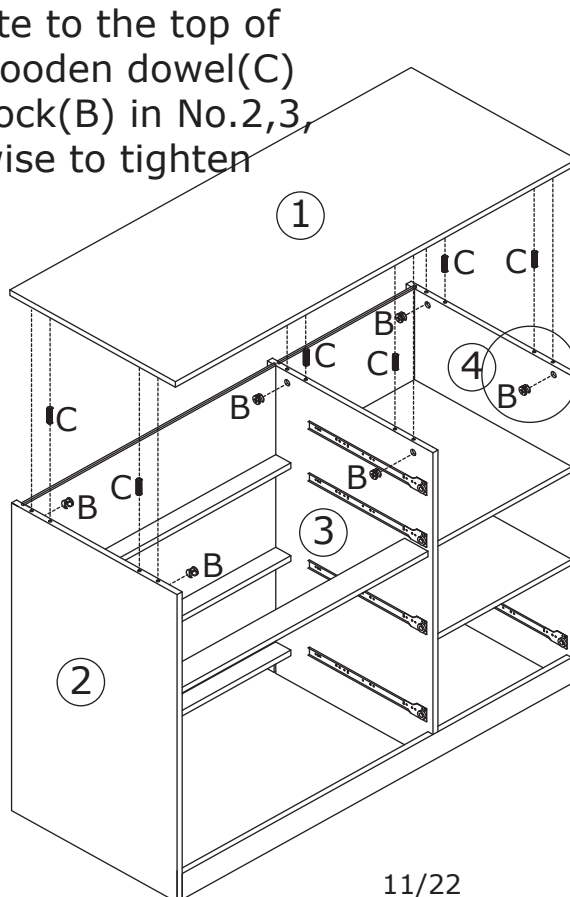
Slide No.8 and No.11 plate into available slots as shown.



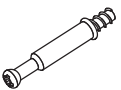

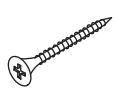
12

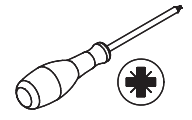


Cover No.1 plate to the top of the unit with wooden dowel(C) and turn cam lock(B) in No.2,3,4 plates clockwise to tighten as shown.

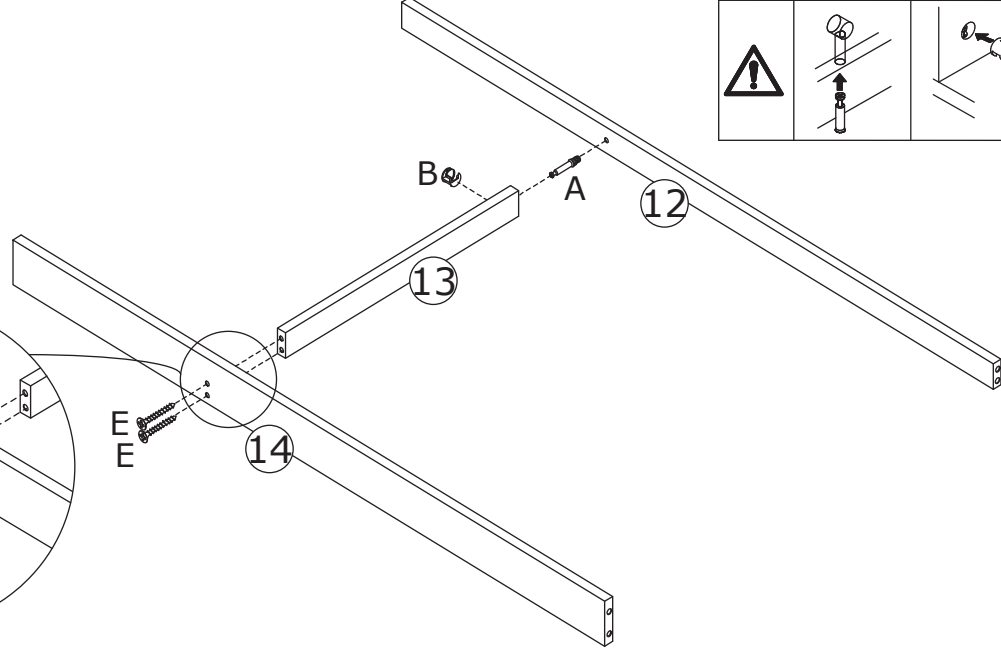
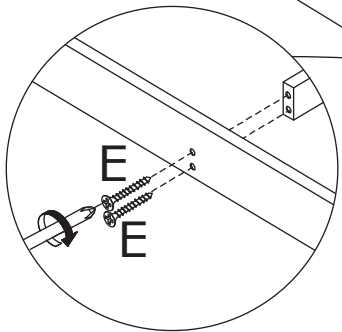
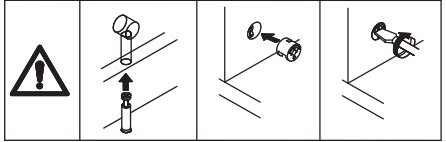
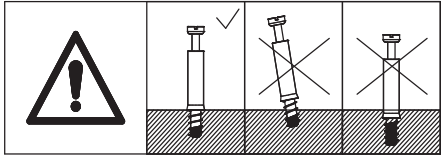


13

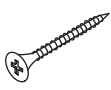
A x 1  Ø6 x 35 mm	B x 1  Ø15 x 9 mm	E x 2  Ø6 x 35 mm
--	--	--

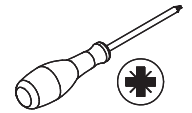


Insert quickfit screw(A) into No.12 plate at first.
Connect No.12 with No.13 plate and turn cam
lock(B) in No.13 plate to tighten as shown.
Connect No.14 with No.13 plate using screw(E)
as shown.

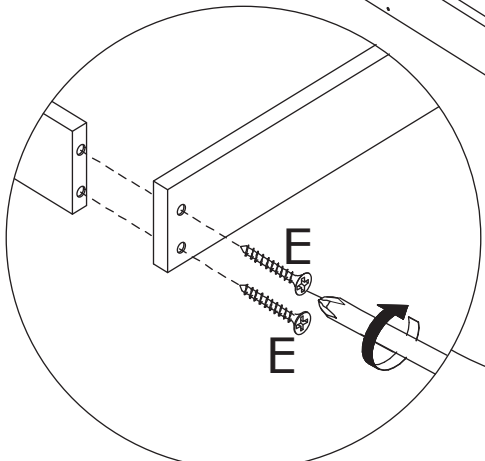
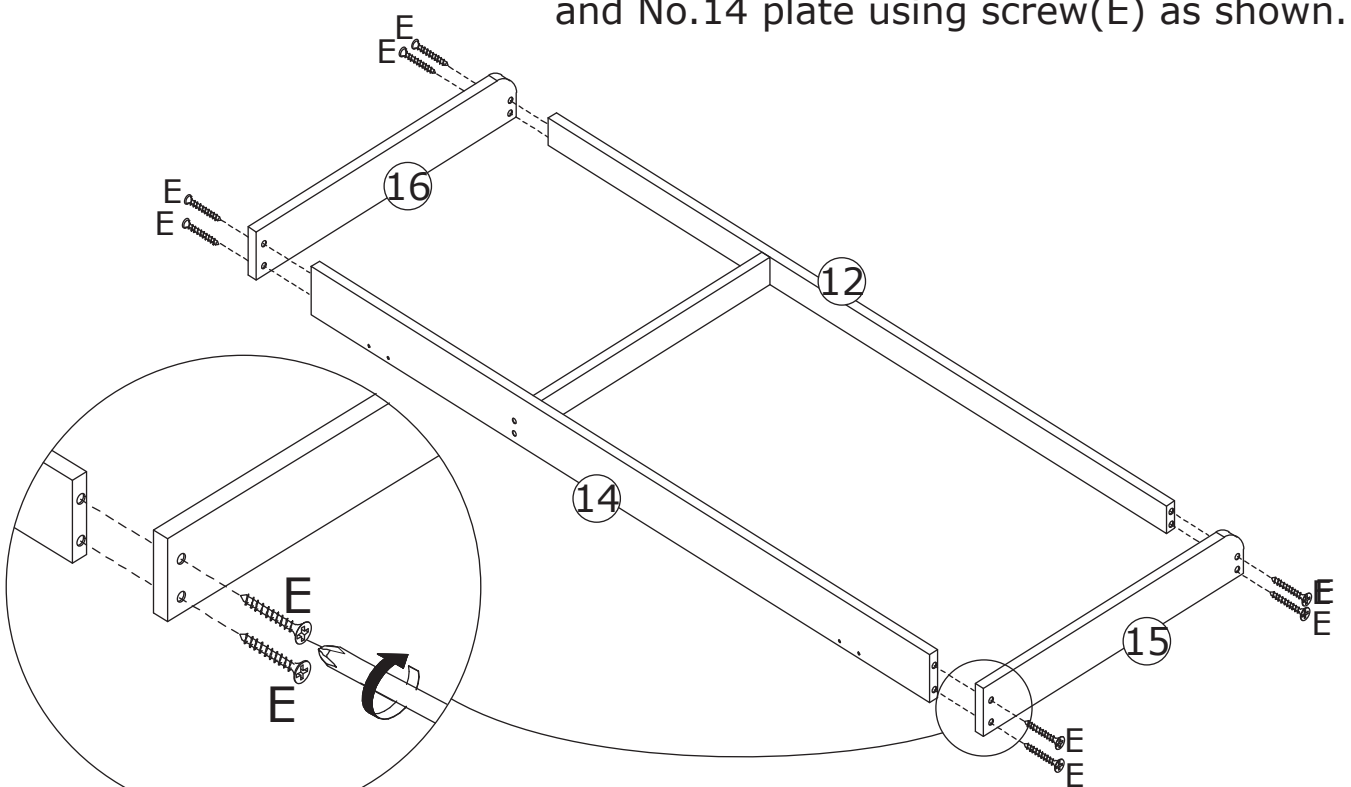


14

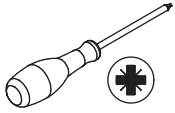
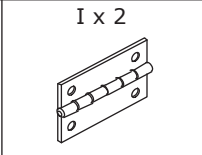
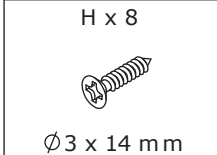
E x 8  Ø6 x 35 mm
--



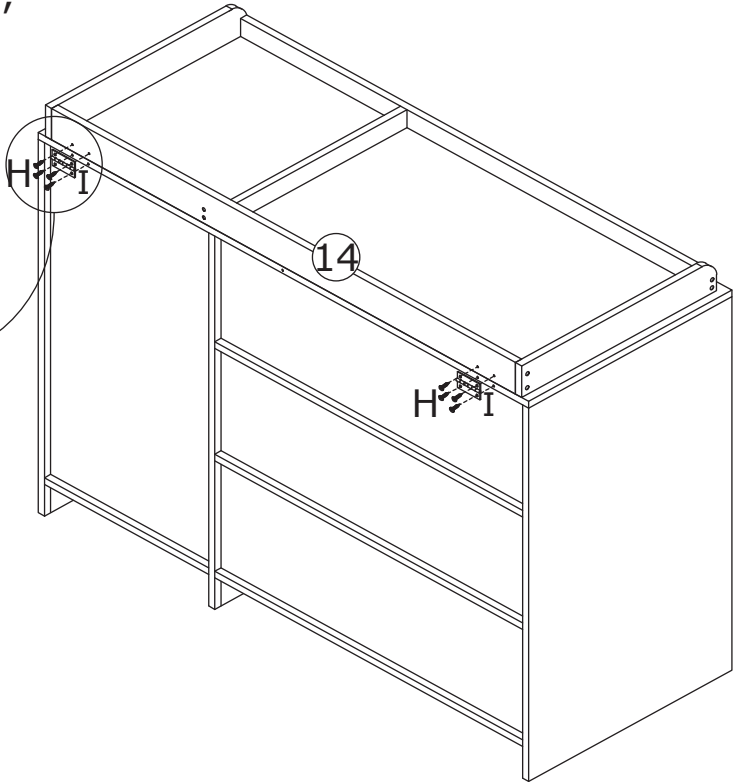
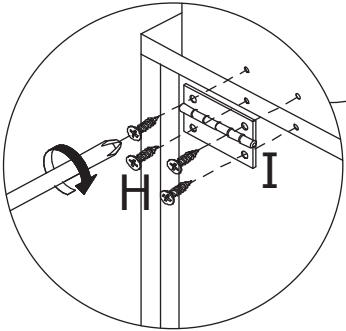
Connect No.15 and No.16 with No.12
and No.14 plate using screw(E) as shown.



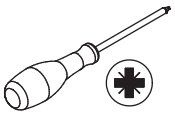
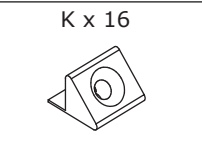
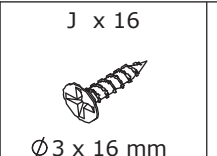
15



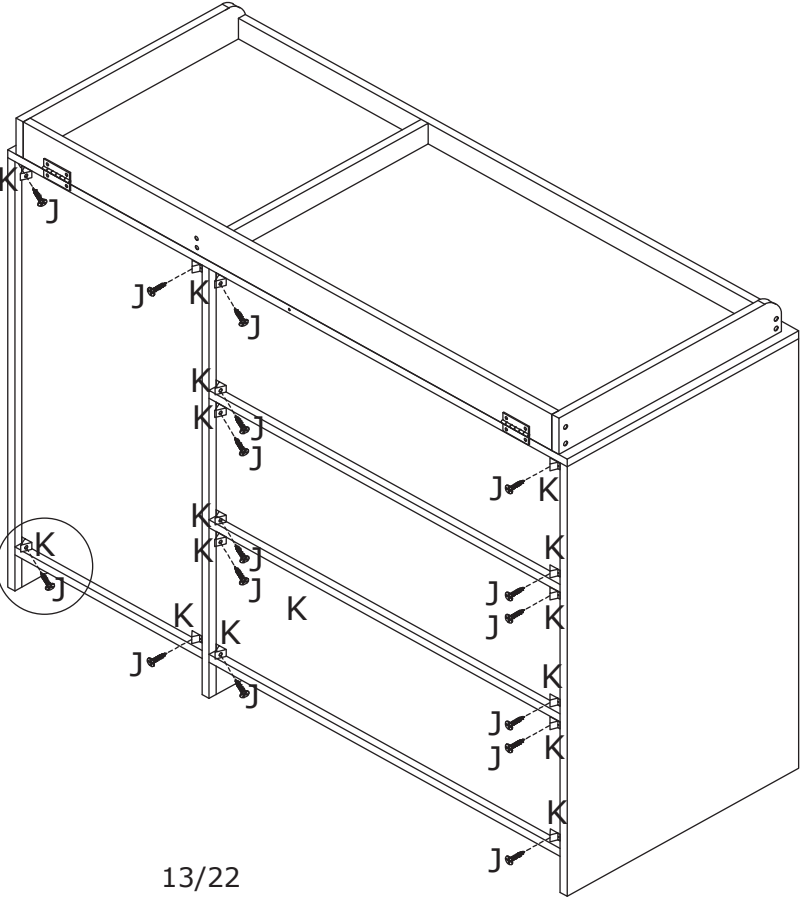
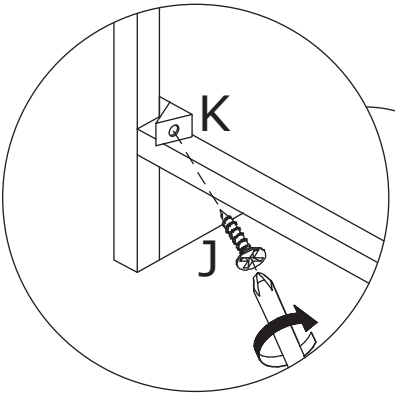
Place the frame to the top, and use part(I) to fix with back plate together using screw(H) as shown.



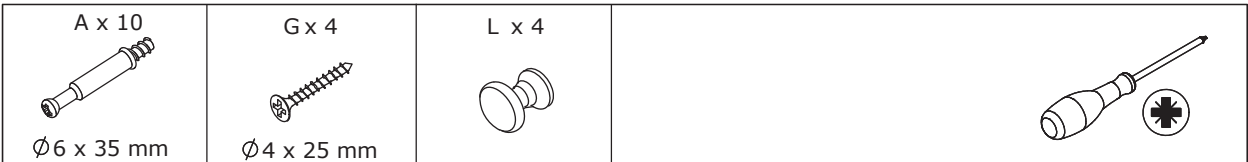
16



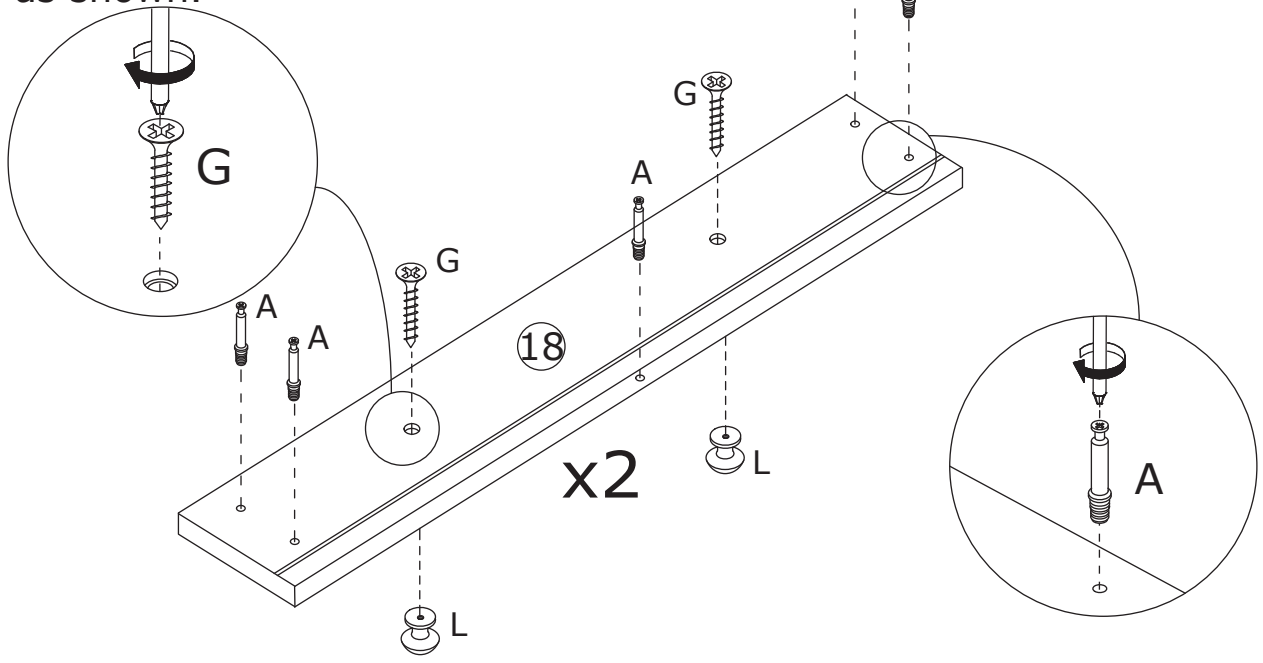
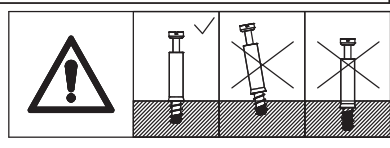
Reinforce back plate using part(K) with screw(J) as shown.



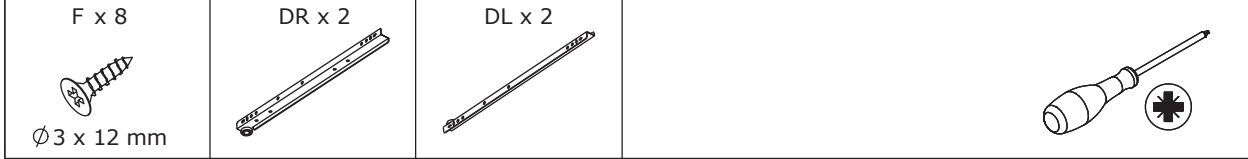
17



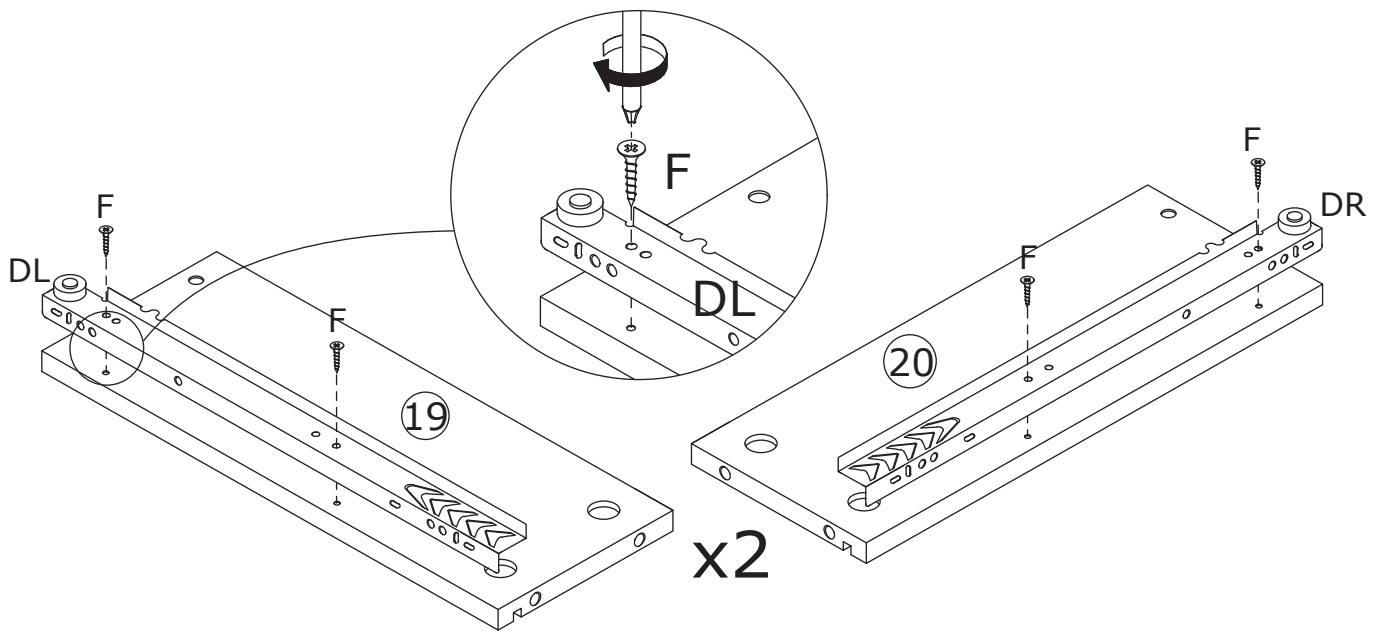
Insert quickfit screw(A) into No.18 plate as shown.
 Fix knob(L) to No.18 plate with screw(G) as shown.



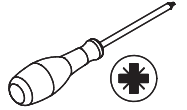
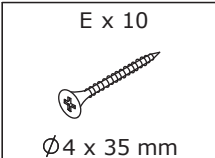
18



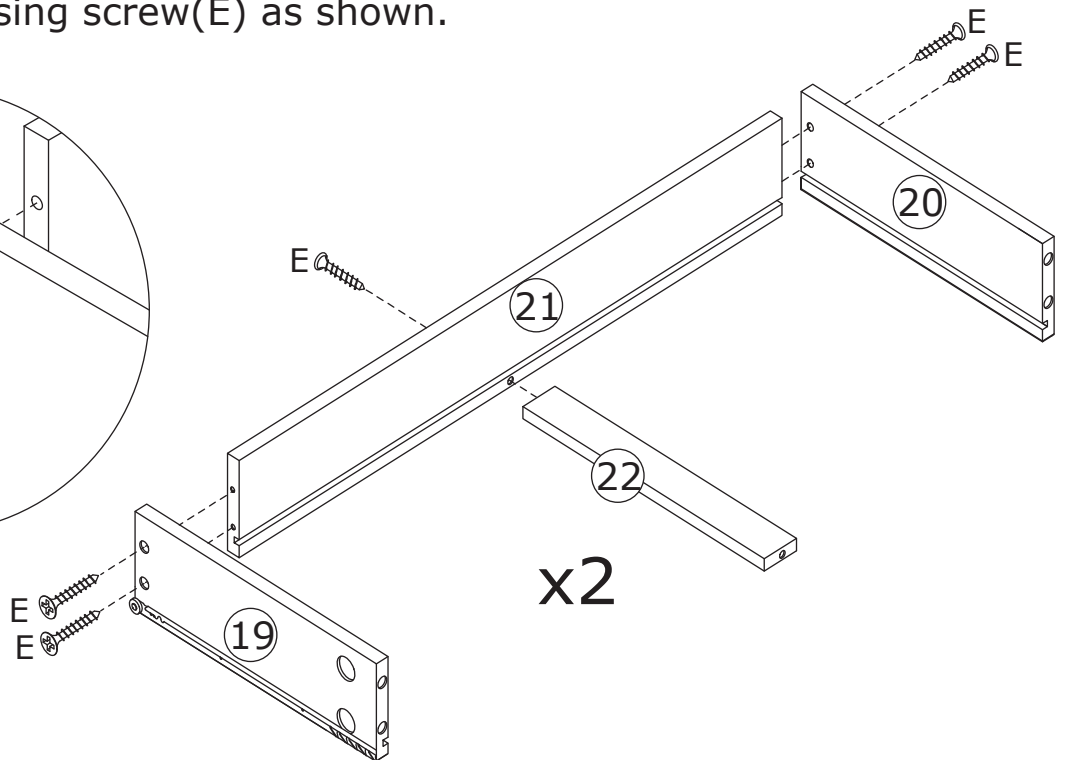
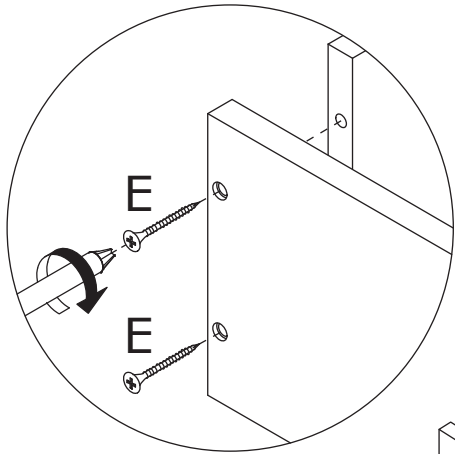
Fix runner(DL) and (DR) to No.19 and No.20 plate respectively with screw(F) as shown.



19

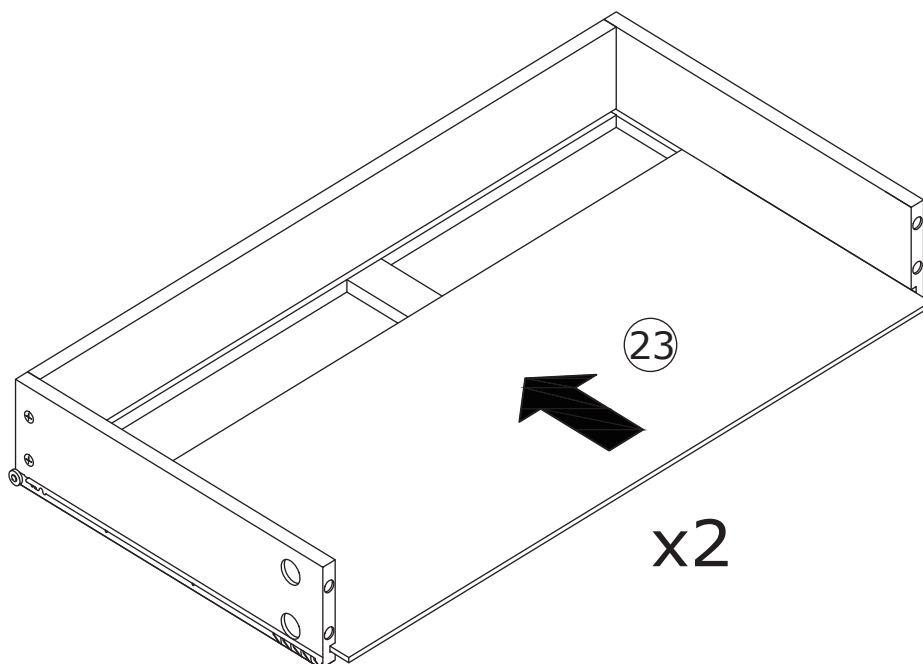


Connect No.19, No.22 and No.20 plate with No.21 plate using screw(E) as shown.

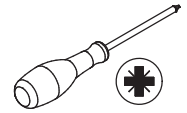
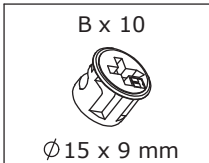


20

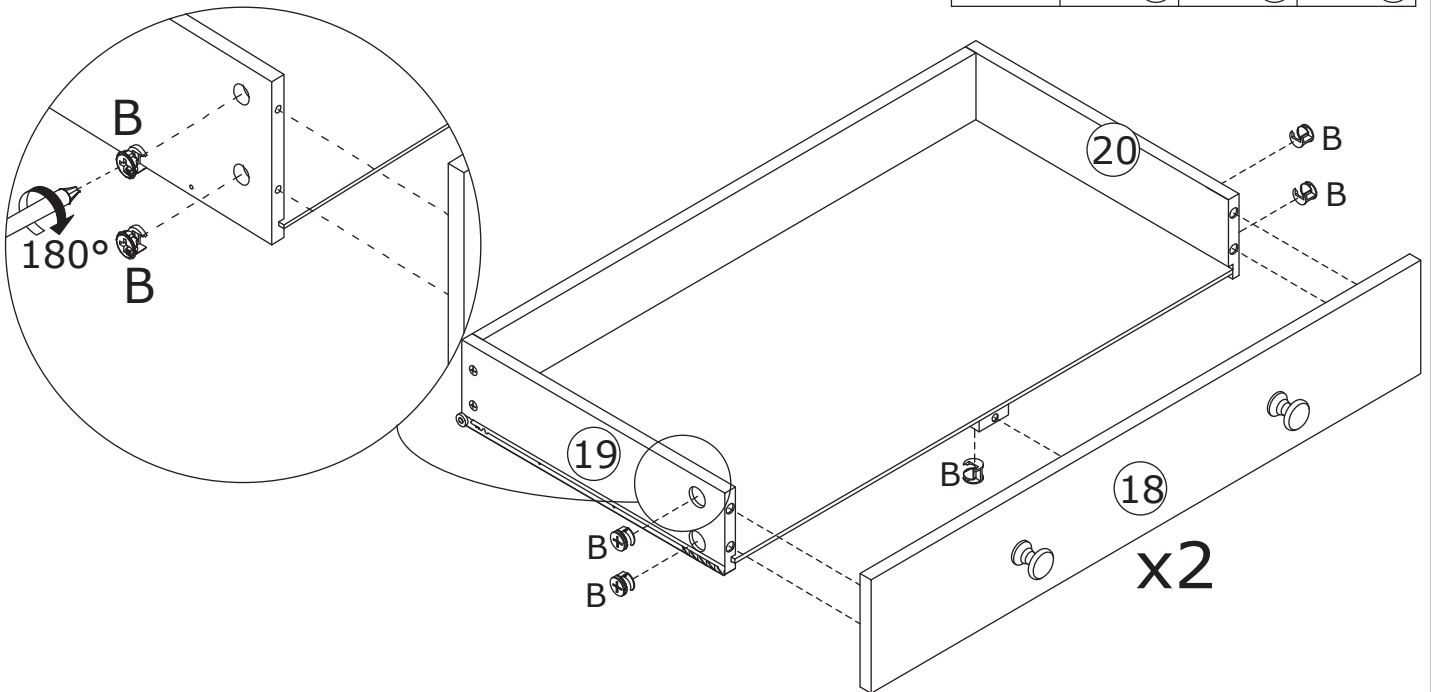
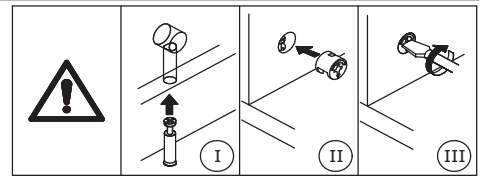
Slide No.23 plate into available slots as shown.



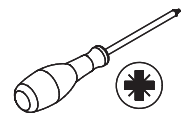
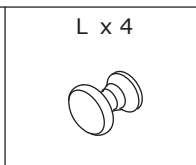
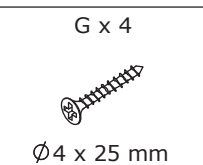
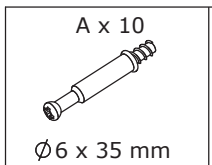
21



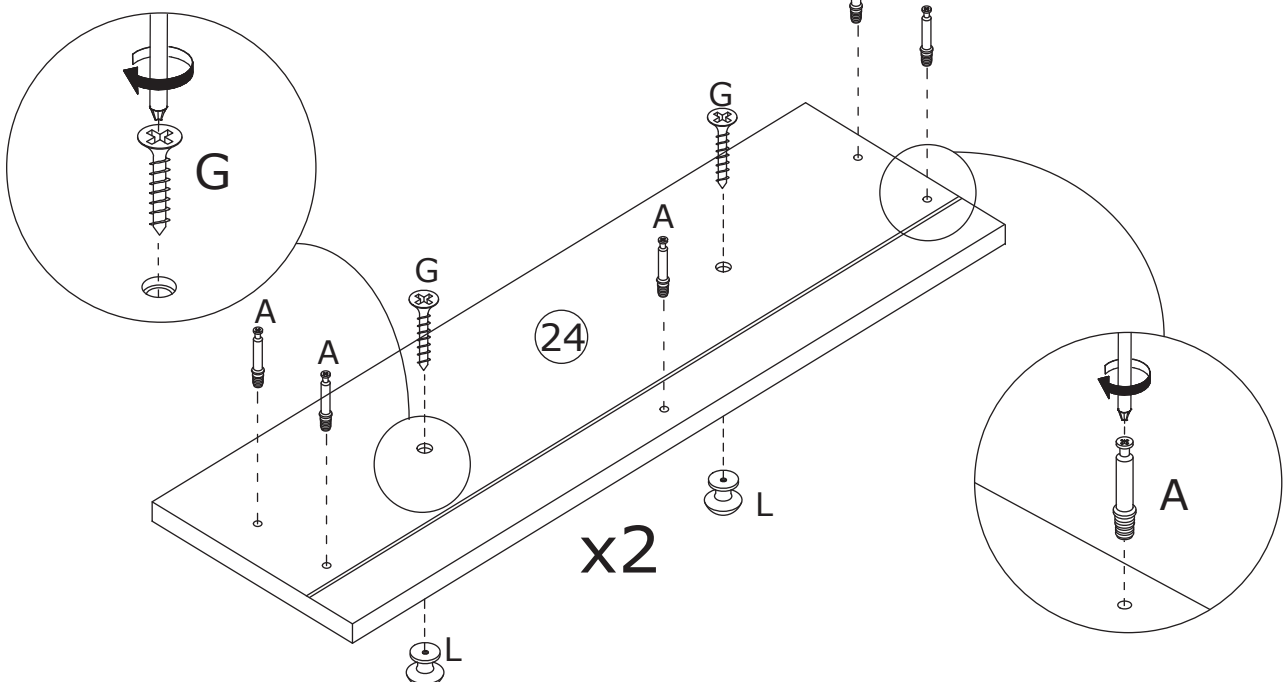
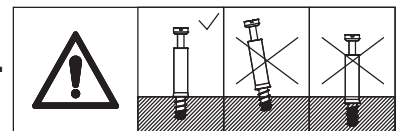
Attach No.18 to No.19, No.22 and No.20 plate, turn cam lock(B) in No.19, 22, 20 plates to tighten as shown.



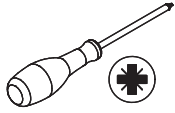
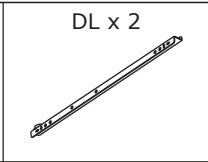
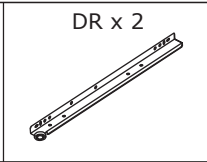
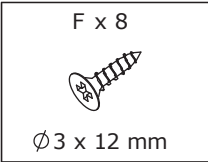
22



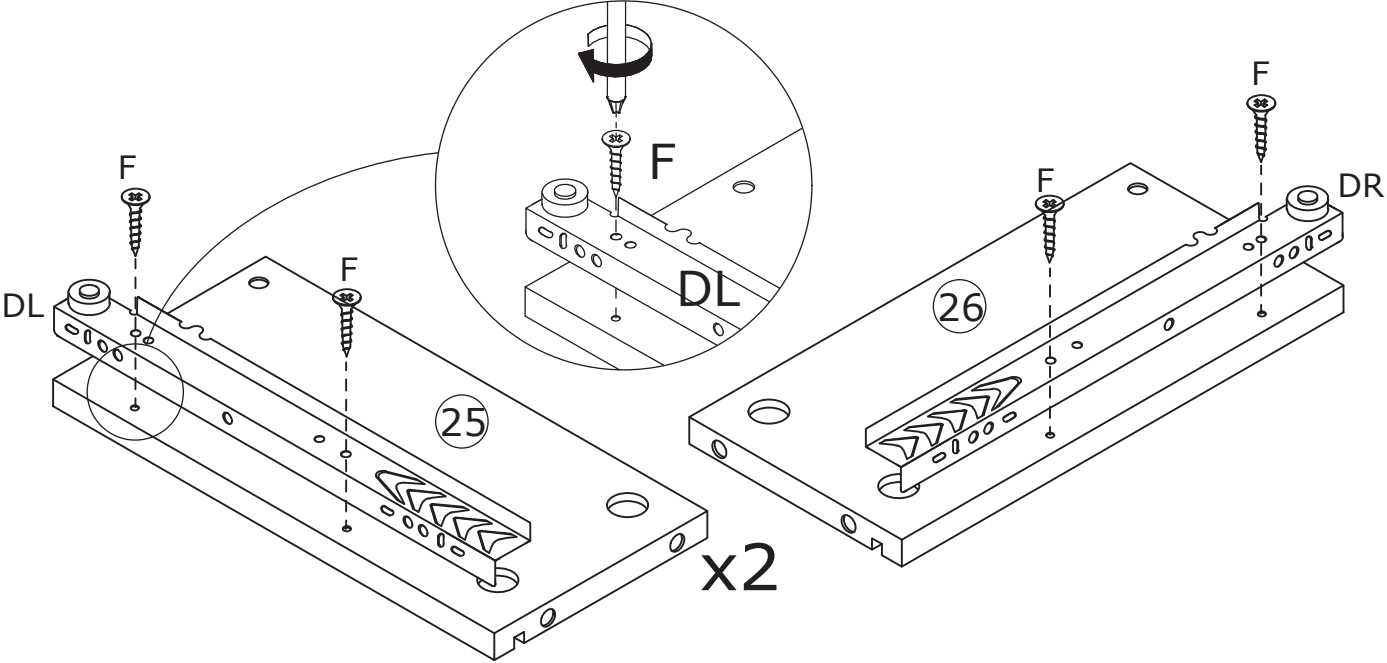
Insert quickfit screw(A) into No.24 plate as shown. Fix knob(L) to No.24 plate with screw(G) as shown.



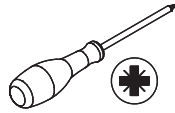
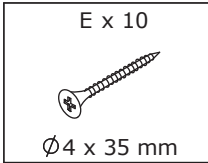
23



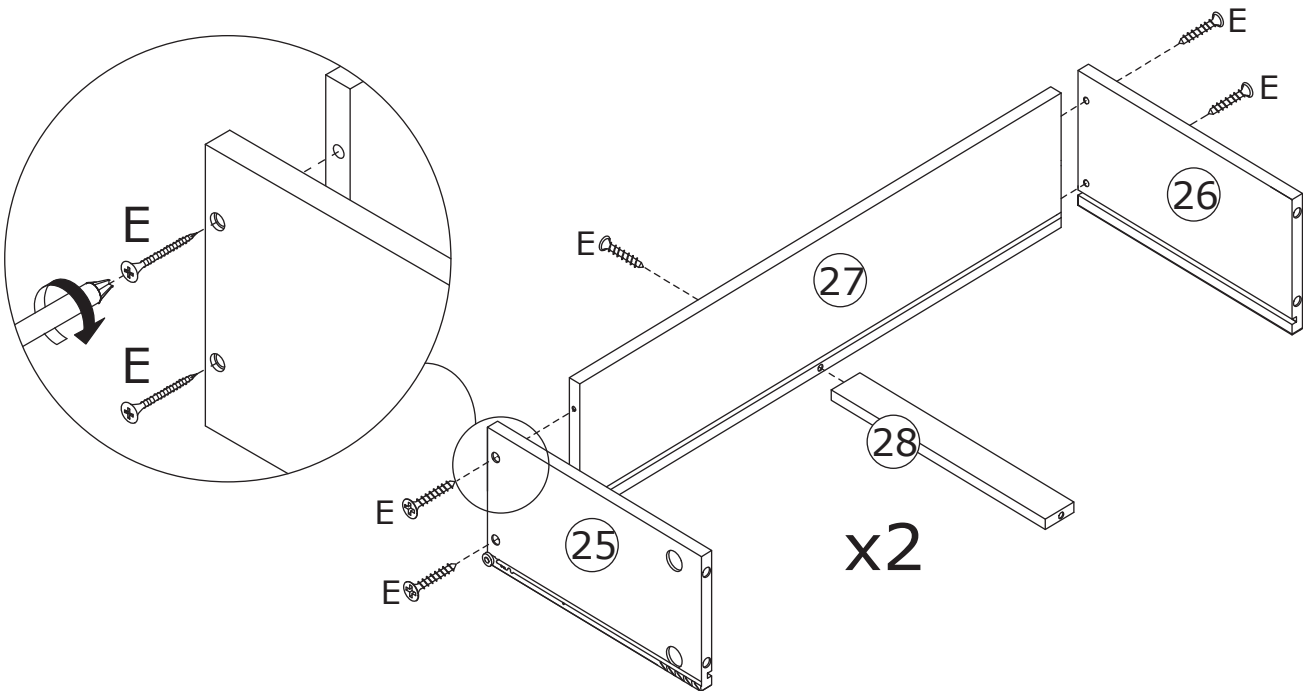
Fix runner(DL) and (DR) to No.25 and No.26 plate respectively with screw(F) as shown.



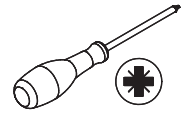
24



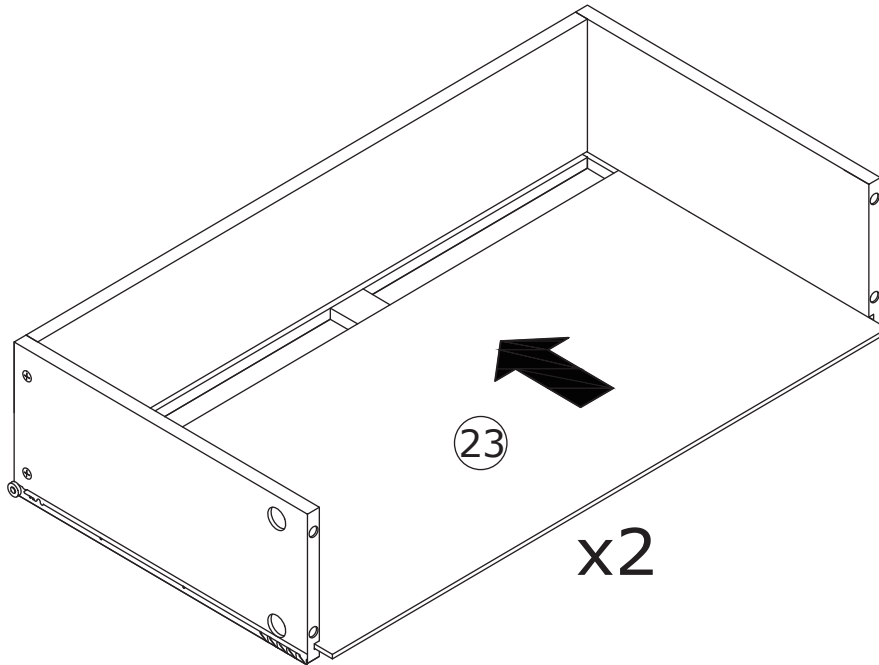
Connect No.25, No.28 and No.26 plate with No.27 plate using screw(E) as shown.



25



Slide No.23 plate into available slots as shown.

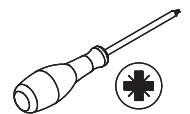


26

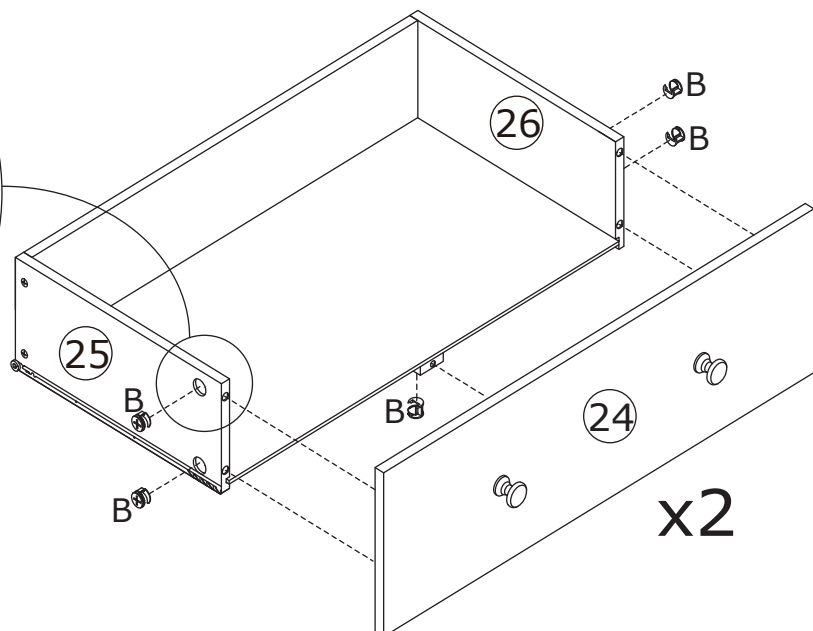
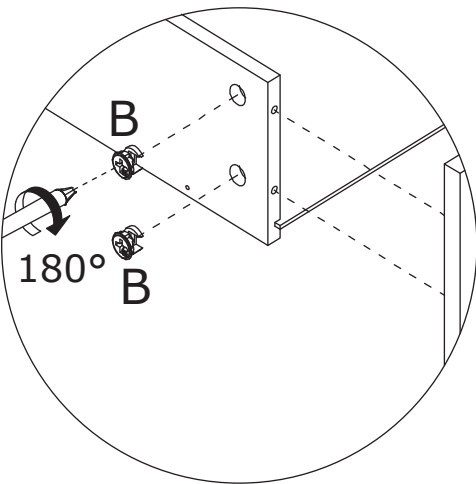
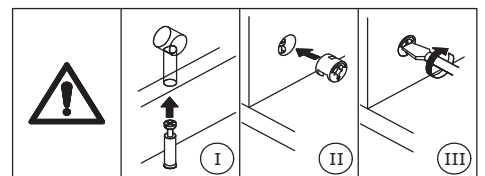
B x 10



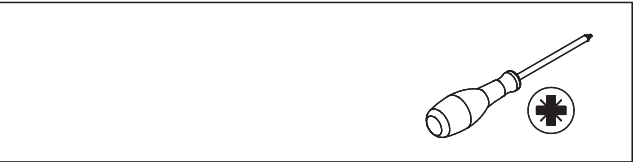
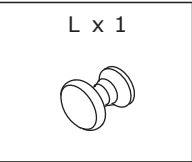
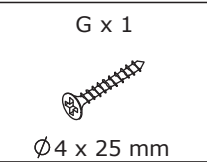
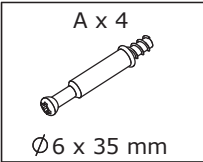
Ø15 x 9 mm



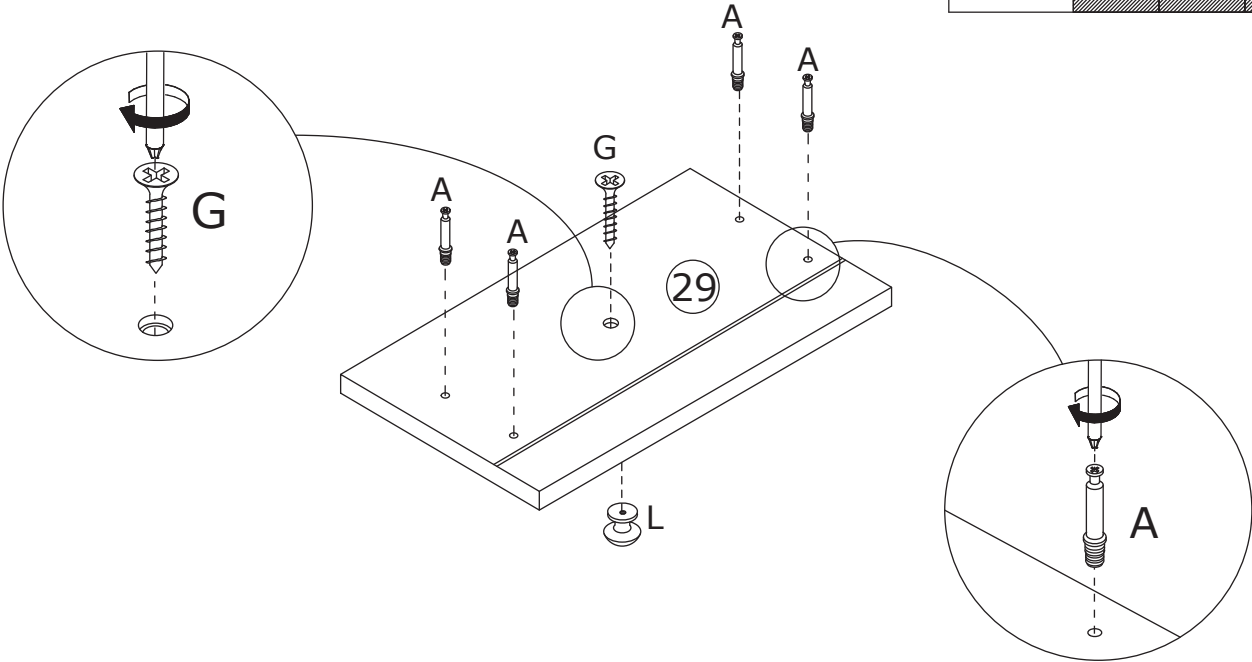
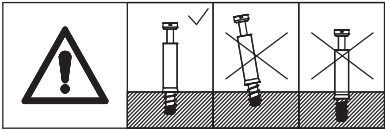
Attach No.24 to No.25, No.28 and No.26 plate, turn cam lock (B) in No.25, 28, 26 plates to tighten as shown.



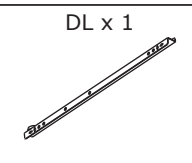
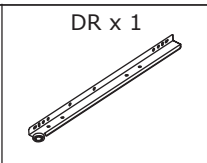
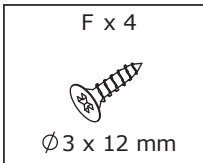
27



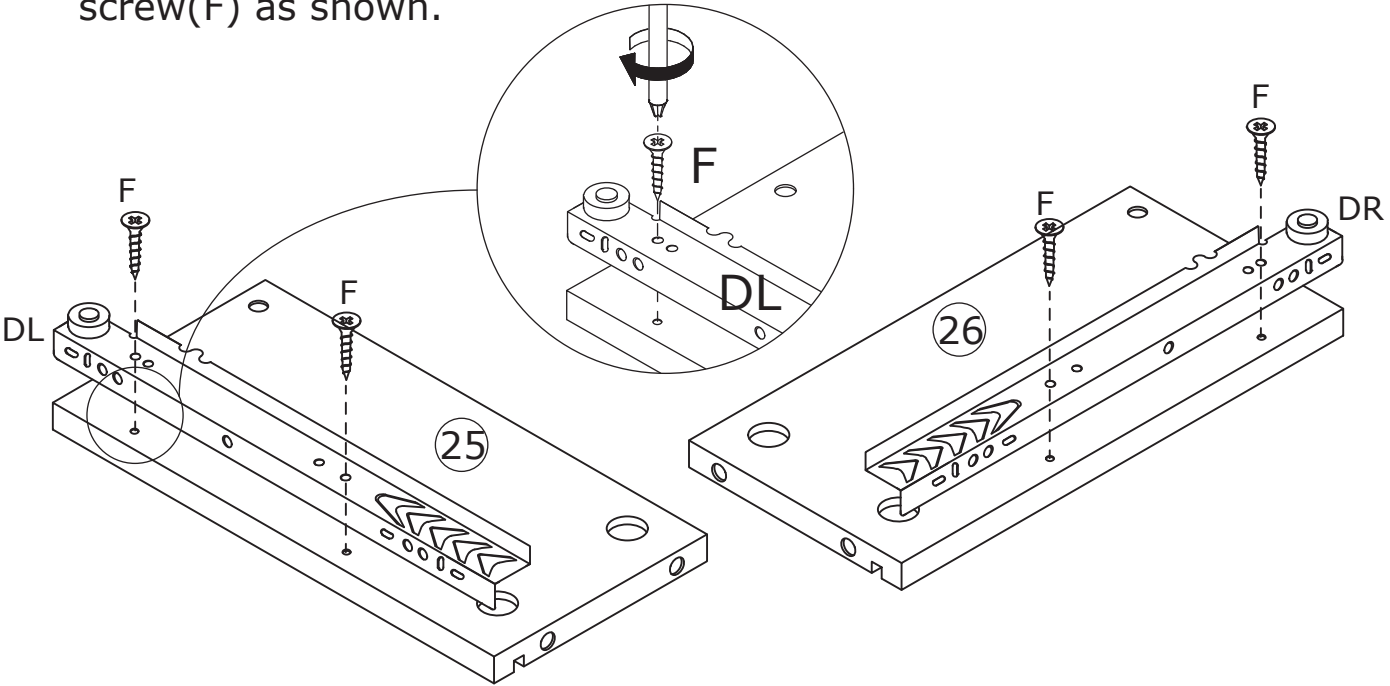
Insert quickfit screw(A) into No.29 plate as shown.
Fix knob(L) to No.29 plate with screw(G) as shown.



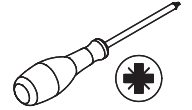
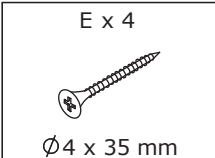
28



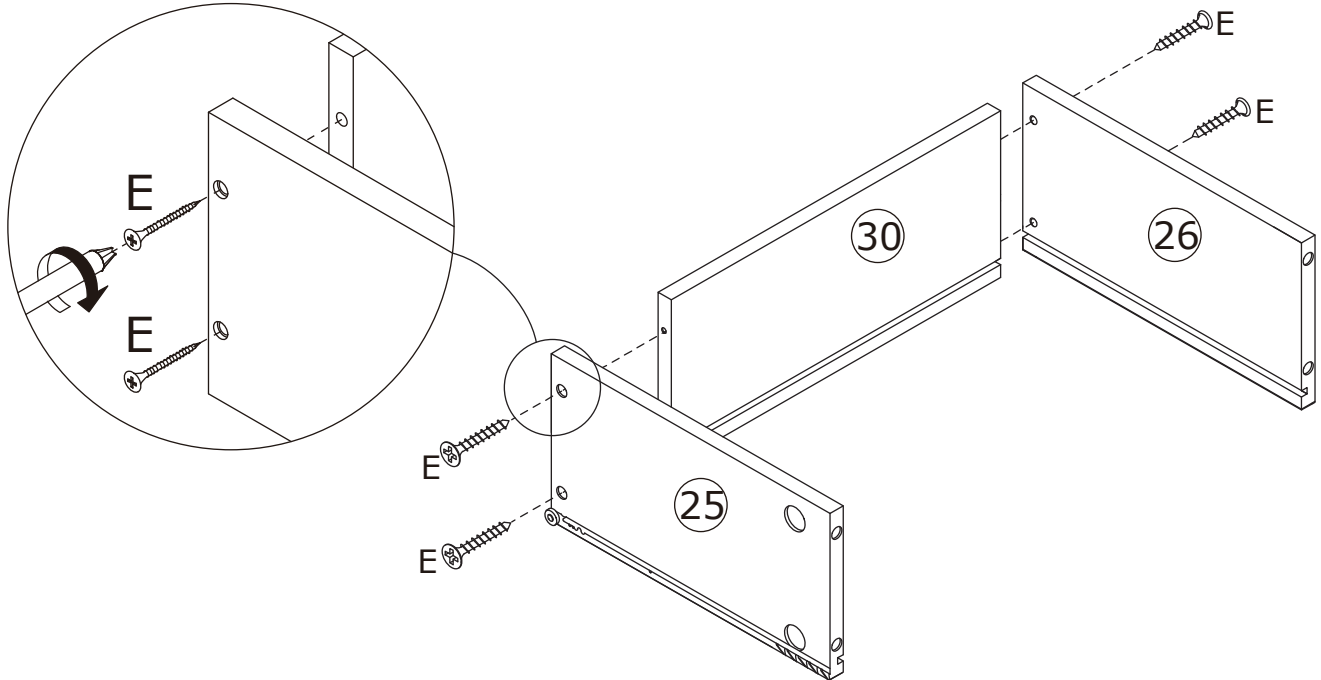
Fix runner(DL) and (DR) to No.25 and No.26 plate respectively with screw(F) as shown.



29

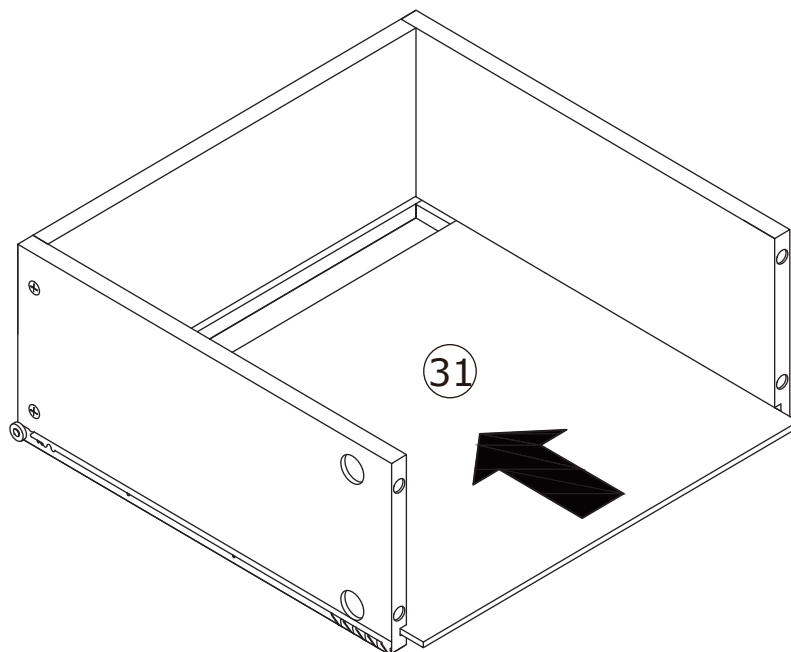


Connect No.25 and No.26 plate with No.30 plate using screw(E) as shown.

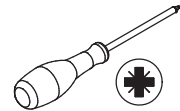
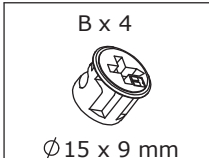


30

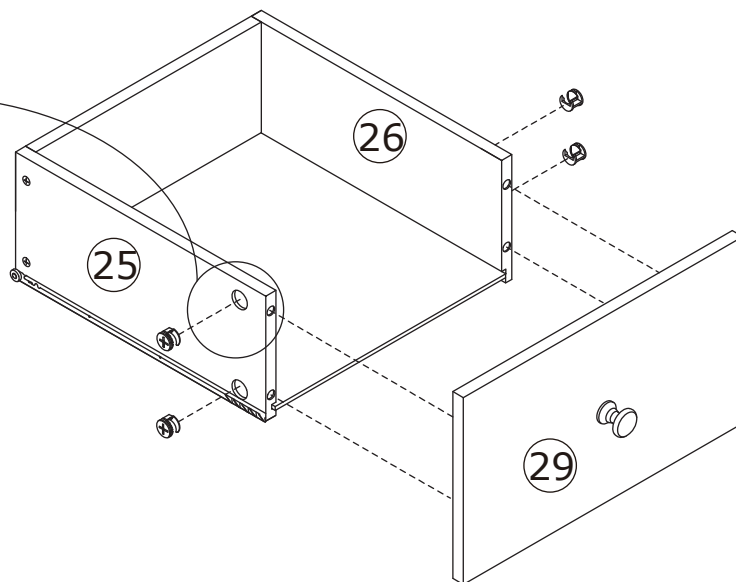
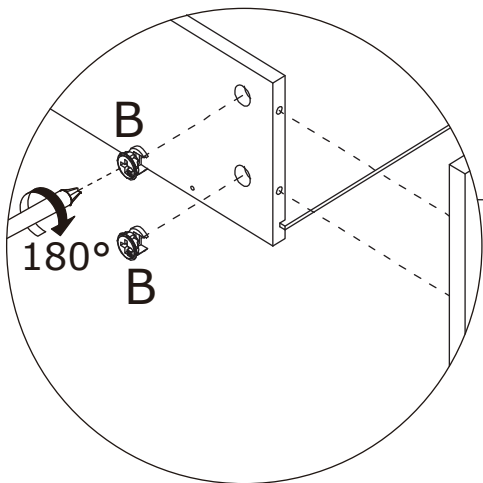
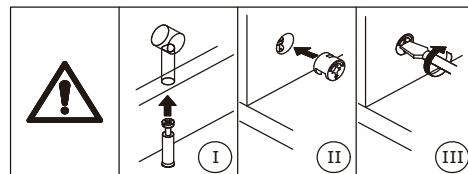
Slide No.31 plate into available slots as shown.



31

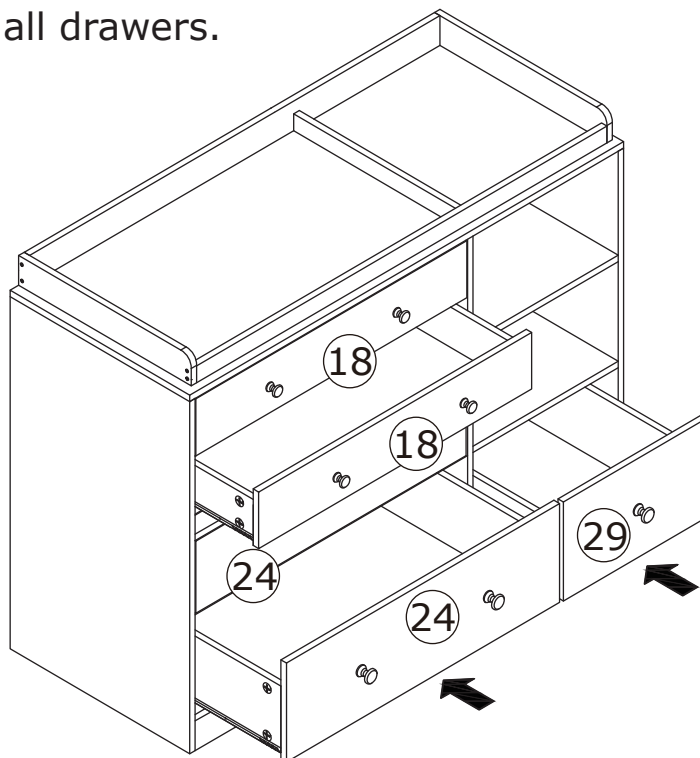


Attach No.29 to No.25 and No.26 plate, turn cam lock(B) in No.25,26 plates to tighten as shown.

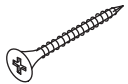

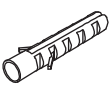



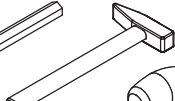
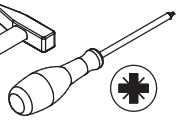
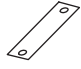



32

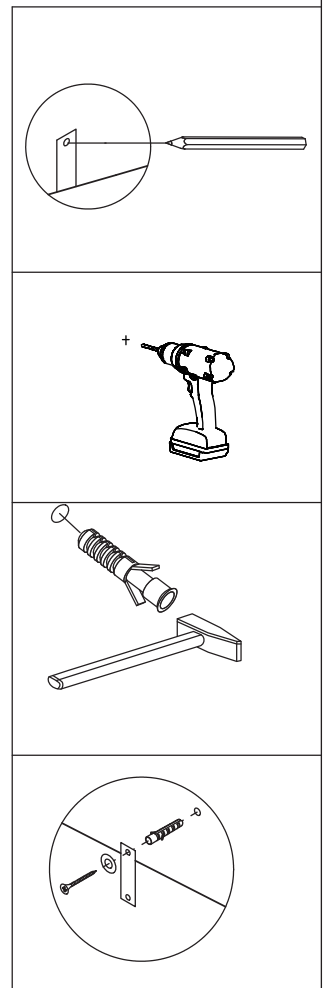
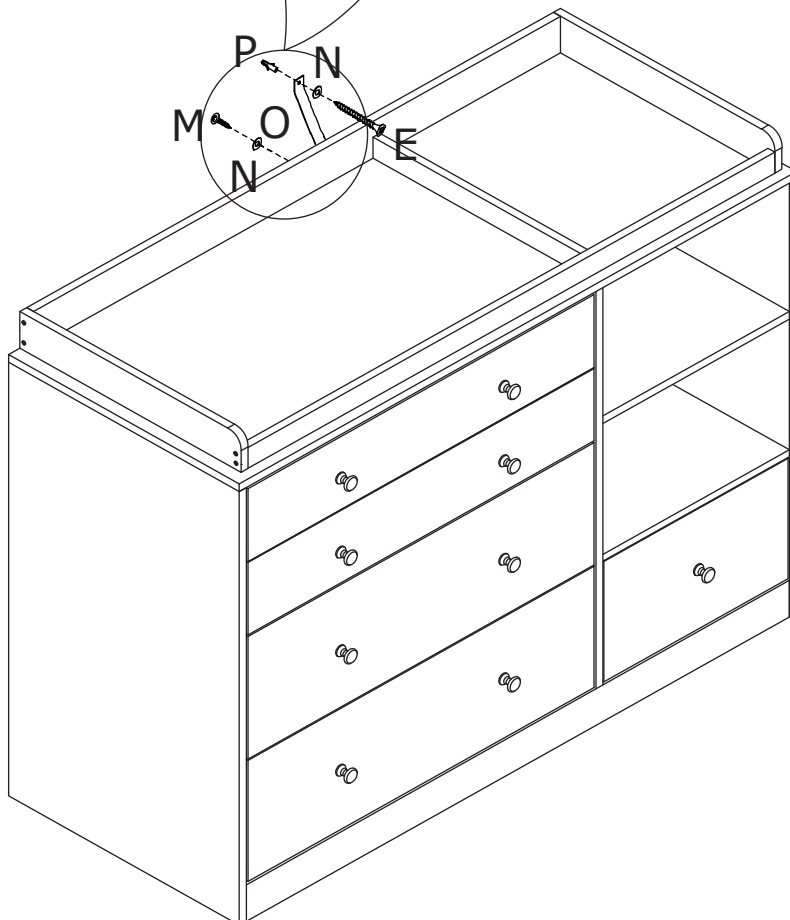
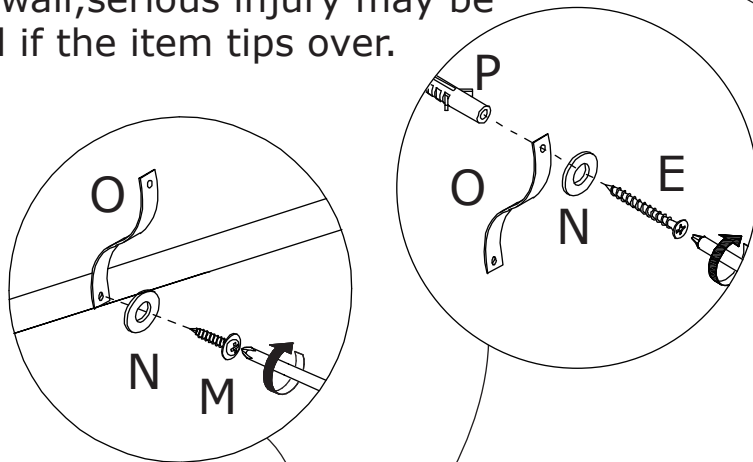
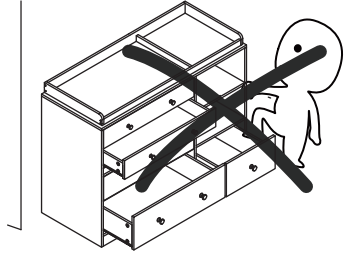
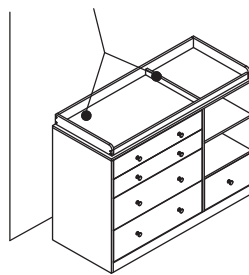
Align rails, slide all drawers.



33

E x 1  Ø4 x 35 mm	M x 1  Ø4 x 14 mm	P x 1  Ø6 x 30 mm	N x 2 				
O x 1 							

For extra stability, it is recommended that you fix your item to the wall using the additional hardware(P,O), as shown. Should you choose not to affix the item to the wall, serious injury may be caused if the item tips over.



WARRANTY

WARRANTY CLAIMS

- There is a 30-day warranty for broken furniture or any other problems that do not work properly. The warranty will start from the date of purchase which must be verified by proof of purchase.
- Before making a claim, we may be able to answer your query, simply call us. Please leave your purchase order number, along with some details of the problem, if you want a replacement part. We will arrange within 48 hours. If there is out of stock, we will reply with a shipping date.
- The product must be used in accordance with the instructions provided. For health reasons.
- For other reasons, if the furniture needs to be returned, it must be cleaned and dried and operated within 30 days of receipt.

Type of Warranty Claim

- Failure to follow the furniture instructions will invalidate the warranty. Attention please.
- Does not include damage during installation, but includes damage during transportation.

Scope of responsibility

- Shall not bear any responsibility for misuse or user damage and / or loss of parts during the installation of furniture.
- After using, the damage and scratches of the furniture are not covered by the warranty.

The Warranty Relates to All Bought in The Us and Covers The Following Areas

- Sheet parts: 1 month from the date of purchase.
- Electrical parts: 1 month from the date of purchase.

RETURNS

CHANGED YOUR MIND AND NEED TO RETURN YOU ITEM?

PLEASE FOLLOW THE BELOW INSTRUCTIONS:

- If you have purchased and have simply changed your mind, follow the retailer's instructions for returns.

DEFECTIVE ITEMS

- If your item is defective in any way, i.e. it doesn't work but you can't identify why, in the first instance, please call us.

DAMAGED ITEMS

- If you receive an order with obvious shipping damage from the retailer, then we suggest the delivery is refused. If the delivery has been accepted and then shipping damage is found, please follow the specific instructions advised by the retailer.
In all circumstances please save all packaging material and paperwork for the order. Please be aware that if you dispose of packaging material or attempt to return the merchandise without contacting the fulfiller, you jeopardise your chances of making a claim, and you may not receive a credit for the return.