








# Assembly Instruction For ROUND SIDE CHAIR

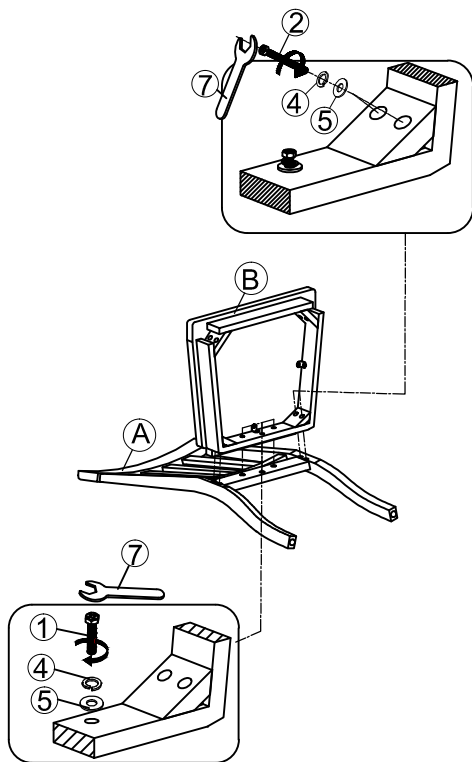
**Caution:** Please read instructions thoroughly before unpacking assembly parts. Sharp, exposed staple tips can cause injury, therefore, for your protection, please remove any exposed staples used in packing.

1. We recommend that you should assemble this product with the assistance of another person; this will make assembly easier, and will help to eliminate damage to the product or injury to persons during assembly.
2. Be sure to check all packing materials carefully for small parts that may have come loose inside the carton during shipment.
3. Please do not over tighten screws or bolts.
4. Please put all parts on a non-abrasive floor before assembly, and follow the assembly steps to assemble your newly purchased product correctly and efficiently.

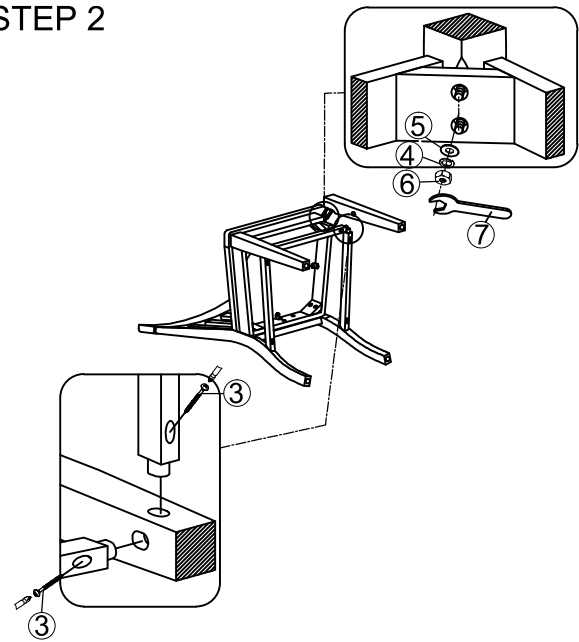
PART LIST			
NO.	PARTS DESC	CODE	QTY
A	CHAIR BACK	PCDLW100TFSCBFR	1
B	WOOD SEAT W/ SEAT BOX	PCDLW100TFSCSEA	1
C	LEFT FRONT LEG	PCDLW100TFSCFLG	1
D	RIGHT FRONT LEG		1
E	FRONT STRETCHER	PCDLW100TFSCSTR1	1
F	LEFT STRETCHER	PCDLW100TFSCSTR2	1
G	RIGHT STRETCHER		1

HARDWARE LIST			
NO.	HARDWARE DESC	CODE	QTY
1	 Allen Bolt 5/16"*40mm	PCDLW100TFSCHW	3
2	 Allen Bolt 5/16"*76mm		4
3	 Screw #8*45mm		6
4	 Spring washer 8mm		11
5	 Flat washer 8*19*2mm		11
6	 Hex nut 5/16"*12mm		4
7	 Allen wrench 12mm		1

## STEP 1



## STEP 2



## COMPLETED

