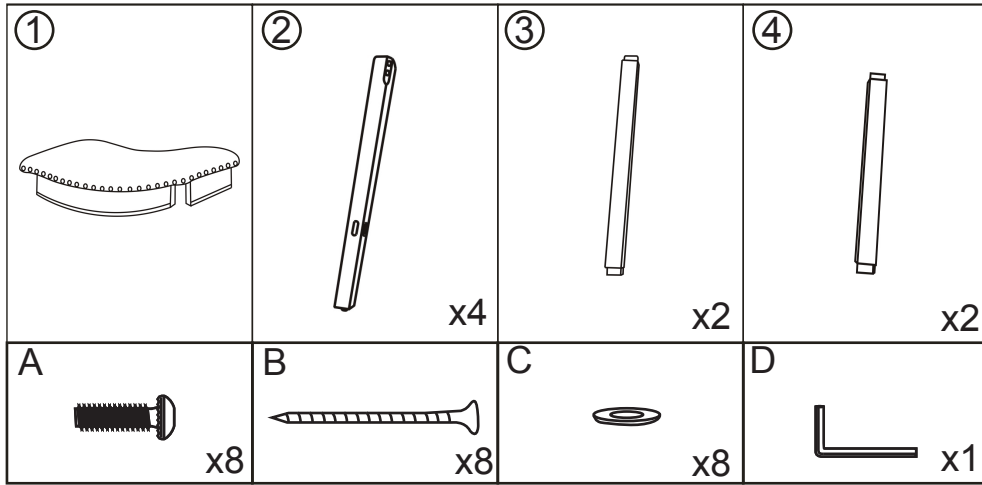
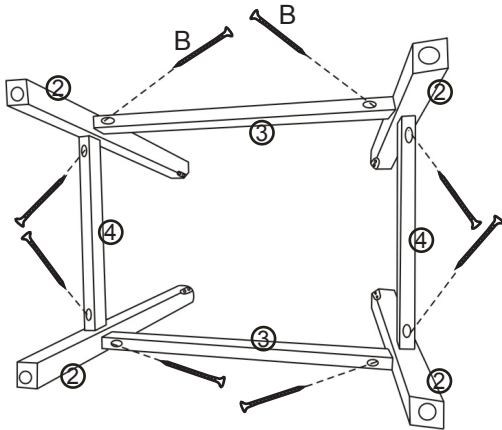


ASSEMBLY INSTRUCTIONS

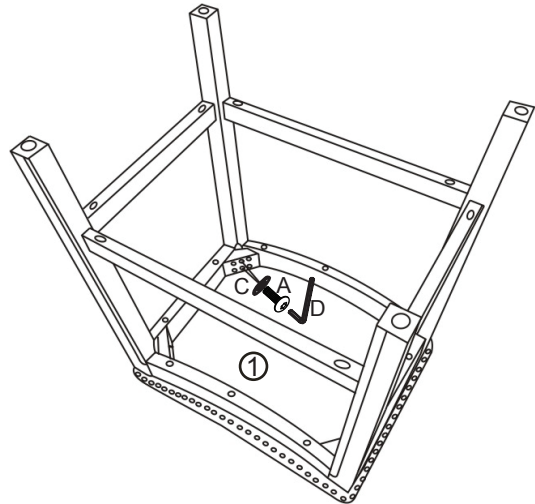
TURN TOP UPSIDE DOWN ON A SOFT WORKING SURFACE



STEP 1



STEP 2



STEP 3

