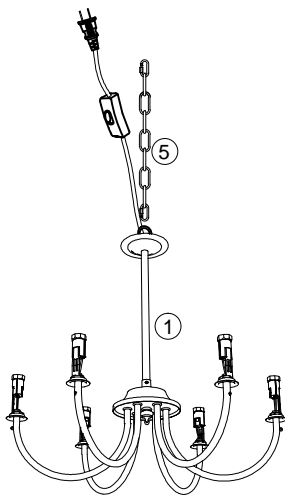
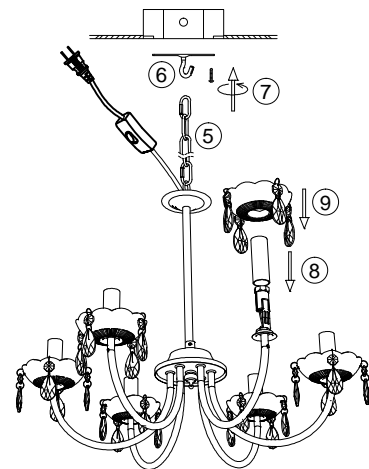


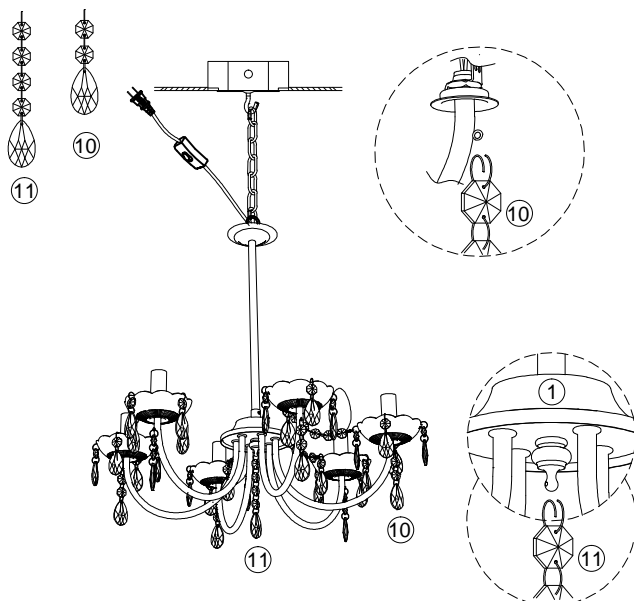
1. Adjust the light arm to suitable position like picture showed.
2. Rotate the tube ① to the connected nut ②.
3. Make the tube ① tighten with grub screw ③ by hex key ④.



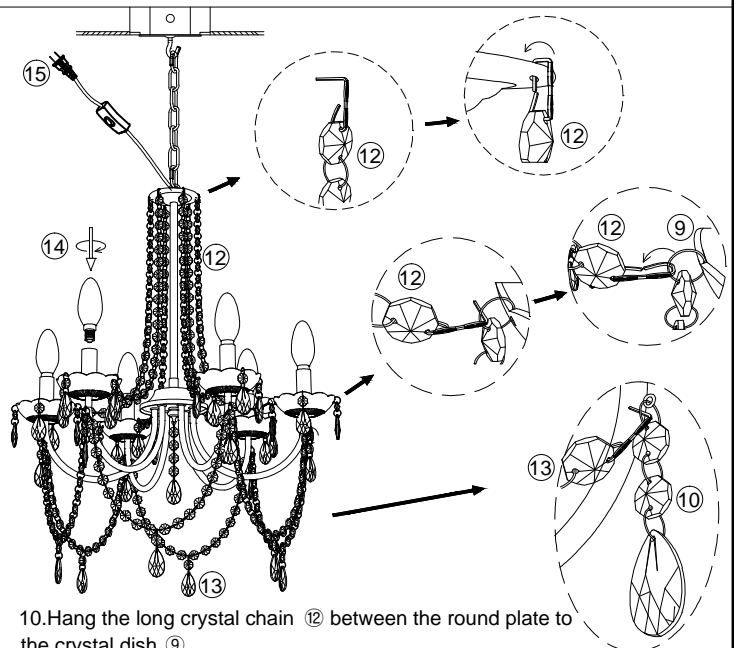
4. Install the chain ⑤ to the fixture ①.



5. Install the hanging hook ⑥ to the ceiling junction box with screw ⑦.
6. Hang the light fixture ⑤ to the hook ⑥.
7. Put the cylinder tube ⑧ and crystal dish ⑨ on the bulb holder .



8. Hang the short crystal chain ⑩ to the mini hole of light arm.
9. Hang the middle crystal chain ⑪ to the end cap of fixture.



10. Hang the long crystal chain ⑫ between the round plate to the crystal dish ⑨.
11. Hang the crystal chain ⑬ between two crystal dishes ⑩.
12. Install the bulb ⑭ and plug in the switch cable ⑮, installation finish.

Y6017-6

Please read carefully before installation!!!

Note : Please make sure that the electricity is powered off during installation !

Only a professional electrician should install this kind of product !