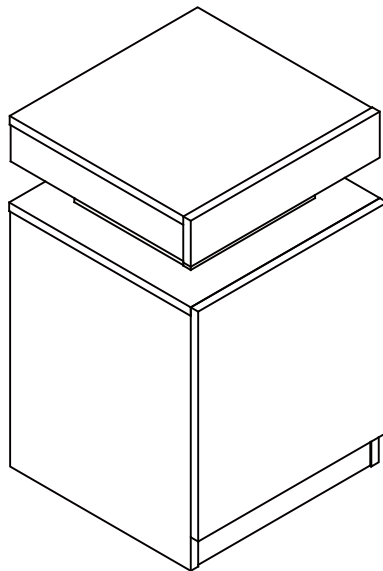


MANUAL INSTRUCTION

Sideboard



Indoor Furniture

We are a professional furniture provider with top-notch factories and outstanding designs, Our mission is to provide consumers with new lifestyles. By collecting consumer feedback, we constantly improve our products and create more choices for consumers. If you want to create your space, We are an ideal choice.

Always.



WARNING

All the Sideboard have passed strict quality inspections before delivery . Read this manual carefully to ensure proper usage

Ensure that all parts and hardware are available before beginning assembly

NOTICE

1. Children are not allowed to operate.
2. Faster installation is possible with power tools.
3. Do not pull the door vigorously to prevent the storage cabinet from tipping over.
4. Please attach the storage cabinet to the wall with an anti-tip device after installation is complete.
5. When using the storage cabinet for the first time, please keep it in a ventilated environment to allow the smell to fully evaporate.
6. When placing the partitions, please make sure the nails are firmly installed to prevent the partitions from falling off.
7. If any parts are missing, broken, damaged or worn, discontinue use of the product until repairs are made and/or factory replacement parts are installed.
8. Do not use this product in a manner inconsistent with the manufacturer's instructions, as this may void the product warranty.
9. If accessories are missing, please contact customer service for communication in time, we provide 7x24 hours customer care.
10. Do not use any attachments or accessories other than the original factory attachments and accessories.
11. Do not alter this equipment. Any alteration will create a safety hazard.

WARNING

The product must be assembled by adult before use. Serious or fatal injury may occur from unexpected assembly or use.

1. During the assembly process, keep all parts away from babies or children.
2. Always securely fix this product to the wall. Make sure the wall area to be drilled is free from hidden electrical wires, water and gas pipes.
3. Use of tip-over restraints may only reduce, but not eliminate the risk of tip-over.
4. Unless specially designed to accommodate, do not set heavy objects on top of this product.
5. Place the heaviest items on the lowest shelf.
6. Never allow children to climb or bang on drawers, doors or shelves.

TOOLS REQUIRED



Phillips Screwdriver

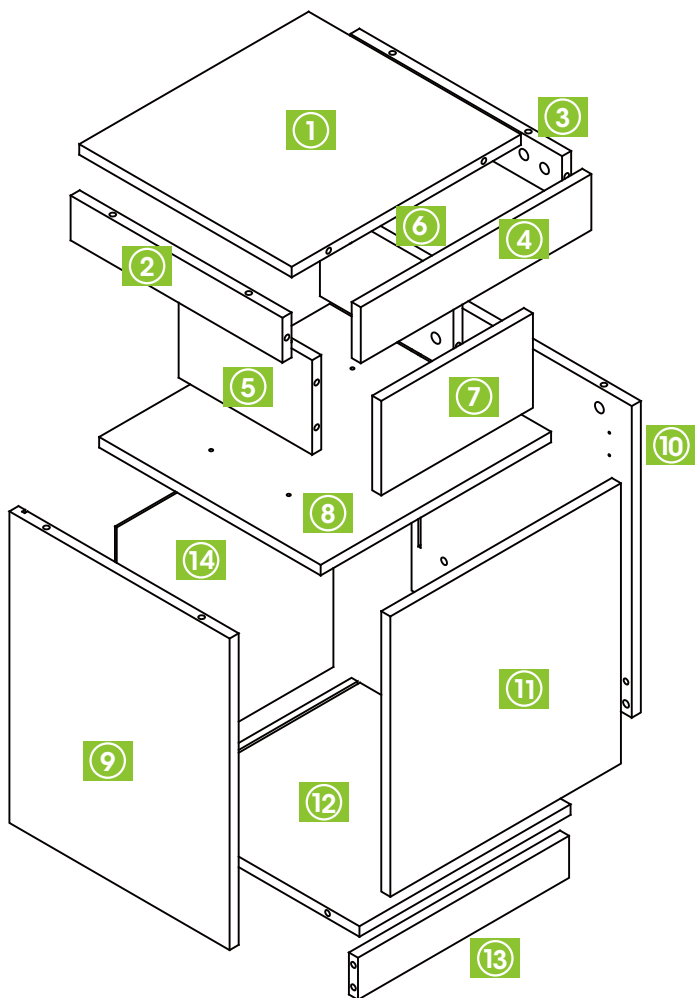


1 Persons Assembly

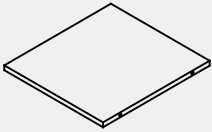


Up to 30 Minutes For Assembly

PARTS

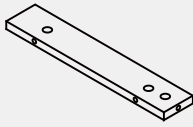


①



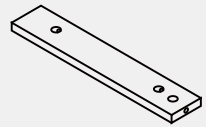
1 PC

②



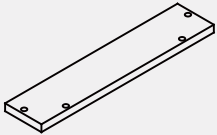
1 PC

③



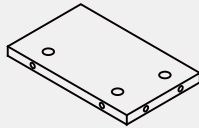
1 PC

④



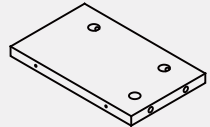
1 PC

⑤



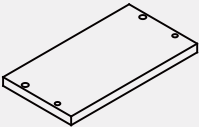
1 PC

⑥



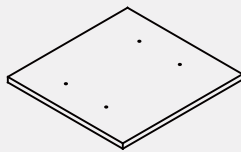
1 PC

⑦



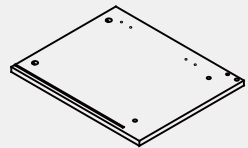
1 PC

⑧



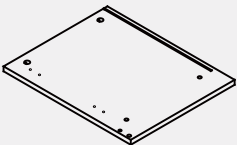
1 PC

⑨



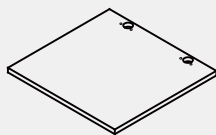
1 PC

⑩



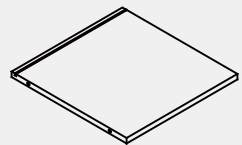
1 PC

⑪



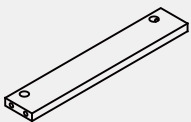
1 PC

⑫



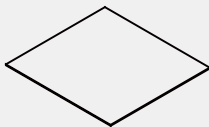
1 PC

⑬



2 PCS

⑭



1 PC

HARDWARE

A



24+1 PCS

B

Φ15x9mm



24+1 PCS

C

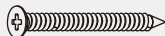
Φ8x30mm



4 PCS

D

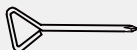
Φ3.5x35mm



4 PCS

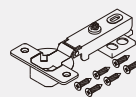
E

72x30x5MM



1 PC

F



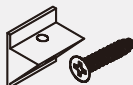
2 PCS

G



1 PC

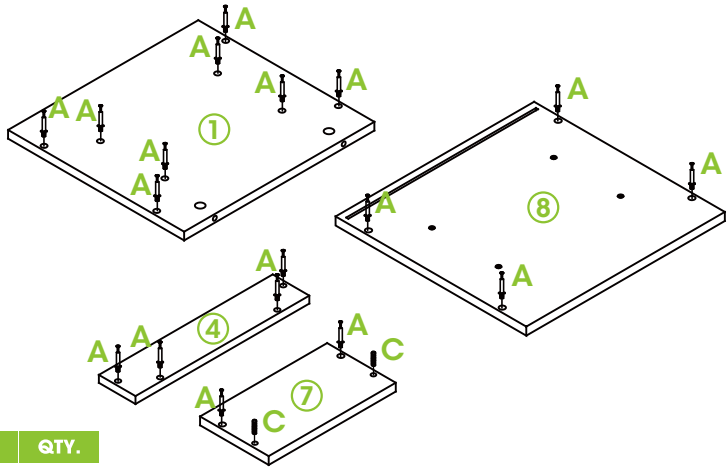
H

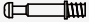



4 PCS

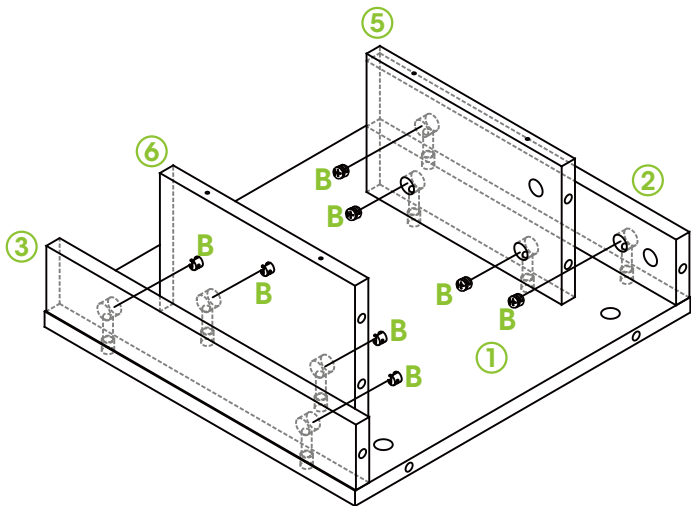
PRODUCT ASSEMBLY


- 1** Install 18 cam bolt "A" and 2 wooden bolt "C" on the corresponding holes of the part as per diagram.



PART	NO.	QTY.
	A	18
	C	2

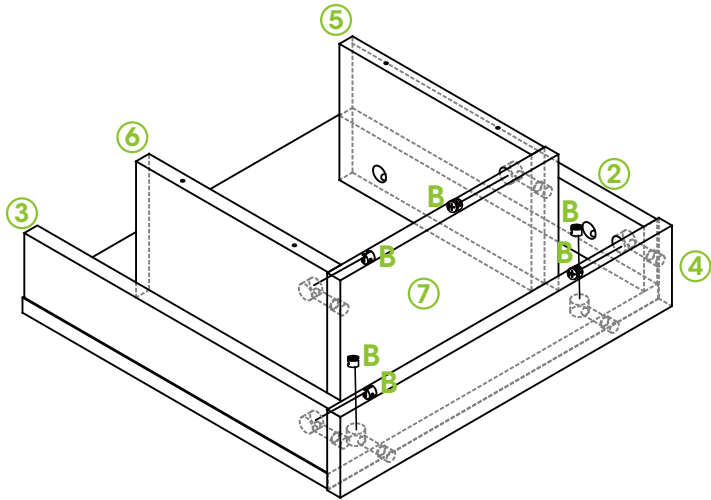
- 2** Connect the parts with 8 bolt "B".




PART	NO.	QTY.
	B	8

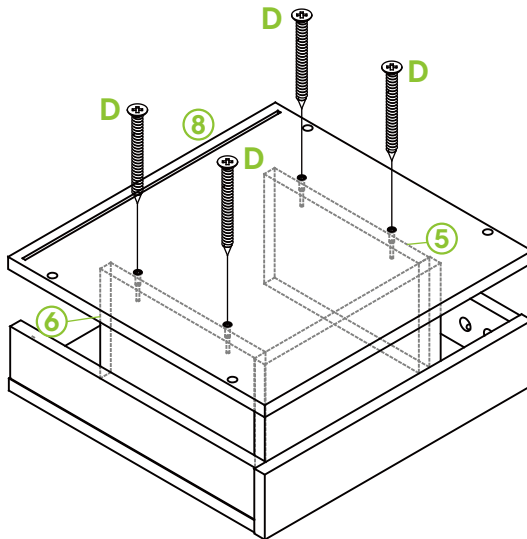
PRODUCT ASSEMBLY


3 Connect the parts with 6 bolt "B".



PART	NO.	QTY.
	B	6

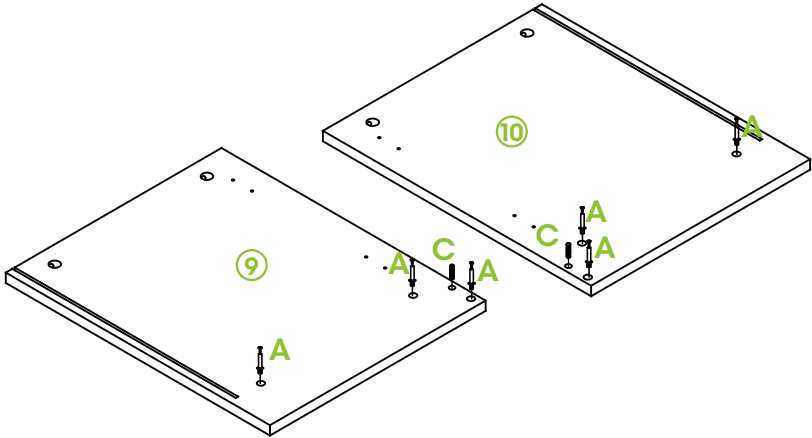
4 Install 4 screws "D" at the corresponding position of the part® .





PART	NO.	QTY.
	D	4

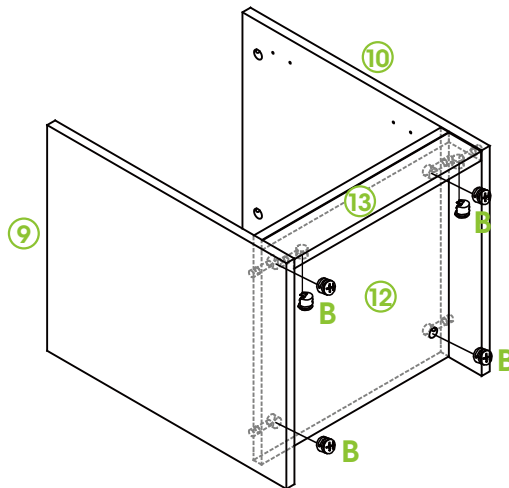
PRODUCT ASSEMBLY


5 Install 6 cam bolt "A" and 2 wooden bolt "C" on the corresponding holes of the part as per diagram.



PART	NO.	QTY.
	A	6
	C	2

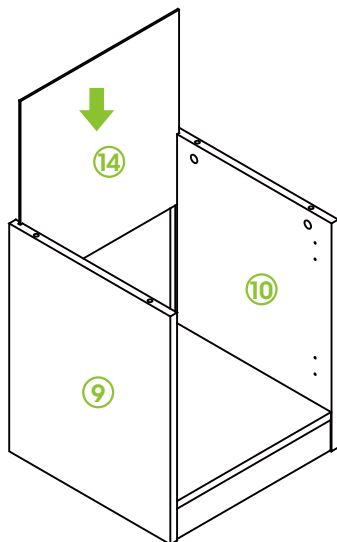
6 Connect parts 9, 10, 12, 13 with 6 bolt "B".



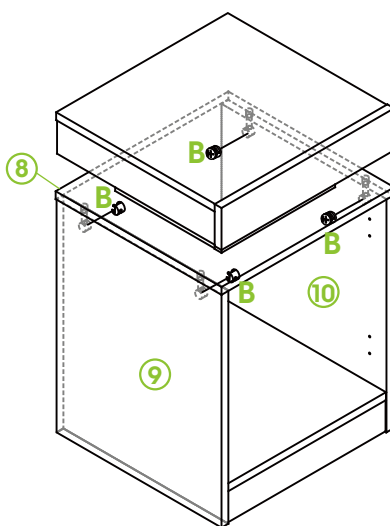
PART	NO.	QTY.
	B	6


PRODUCT ASSEMBLY

7 Push the part ⑭ along the slot to the end.



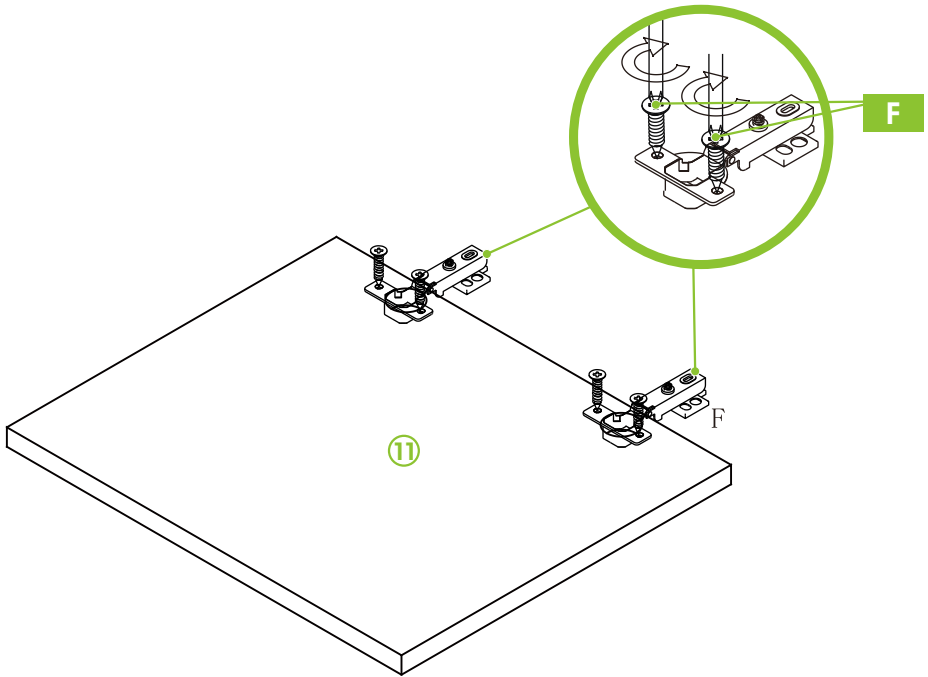
8 Connect the parts with 4 bolt "B".




PART	NO.	QTY.
	B	4

PRODUCT ASSEMBLY

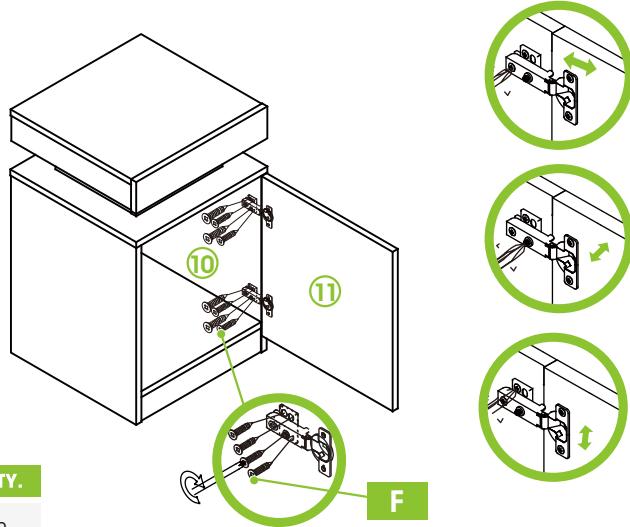
9 Install the 4 screws in the oval hole of hinge "F" as per diagram.




PART	NO.	QTY.
	F	2

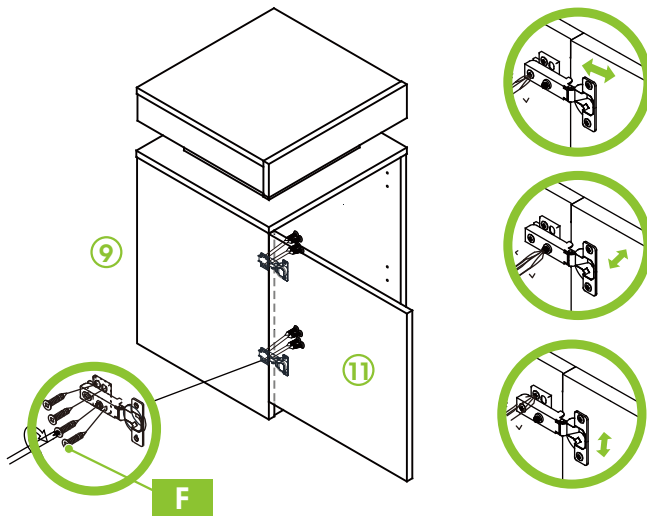
PRODUCT ASSEMBLY

- 10** 1. NOTE: 1. install the part ⑪ on the part ⑩.
 2. NOTE: 2. When installing part ⑪ on the part ⑩., first install the 4 screws in the oval hole of hinge "F" (corresponding to the four small holes of part ⑩).
 3. Close part ⑪ to see if the position of part ⑩ is suitable. If not, You can adjust the screws of oval hole of hinge "F".
 4. After adjusting, lock the 4 round holes of hinge "F" with screws.



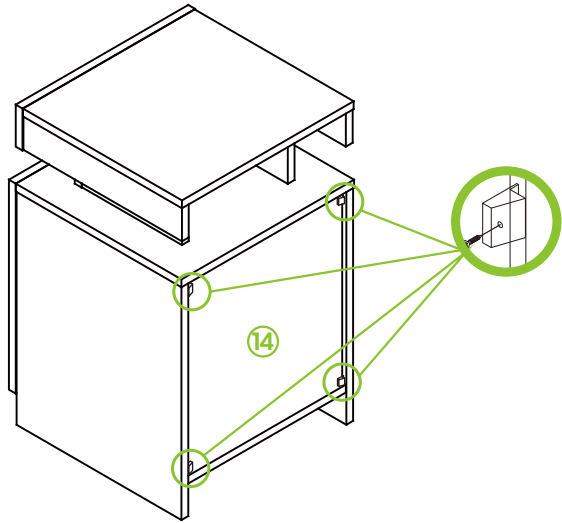
PART	NO.	QTY.
	F	2

Install the other bedside table in the same way.
 Note: the door can be installed on the same side or opposite side.



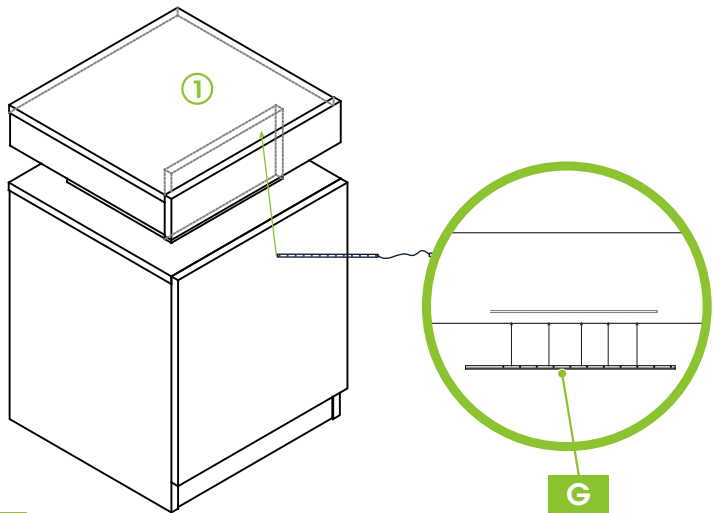
PRODUCT ASSEMBLY

- 11** Insert H into the slot in the corner and lock it with screw .
Turn the screw clockwise.



PART	NO.	QTY.
	H	4

- 12** Tear off the double-sided tape of the light strip and stick it on the board



PART	NO.	QTY.
	G	1