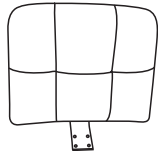
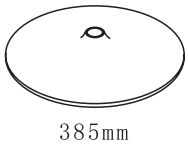
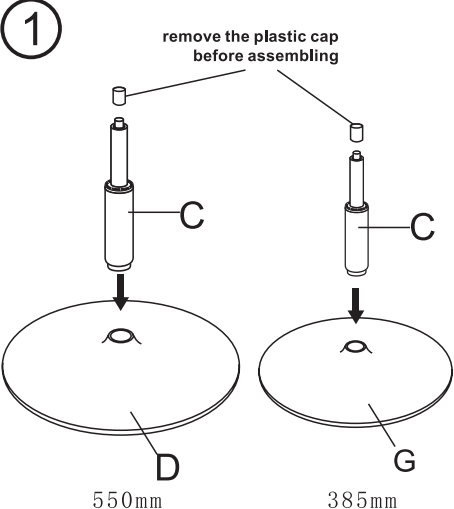
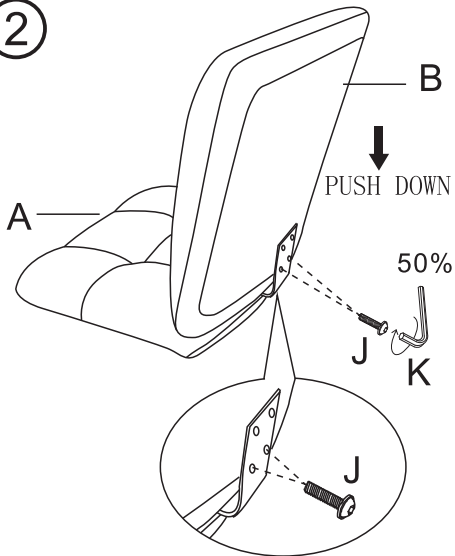
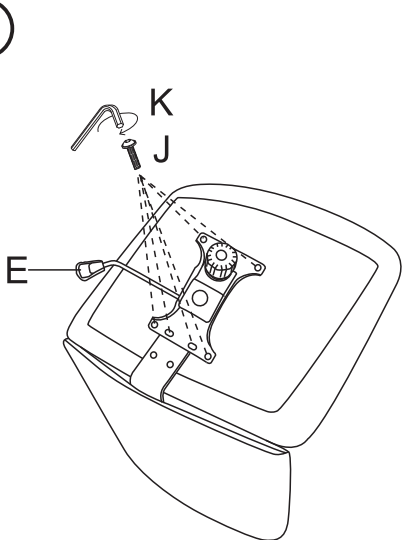

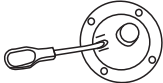


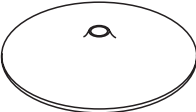

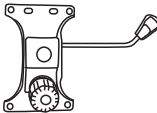

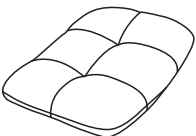
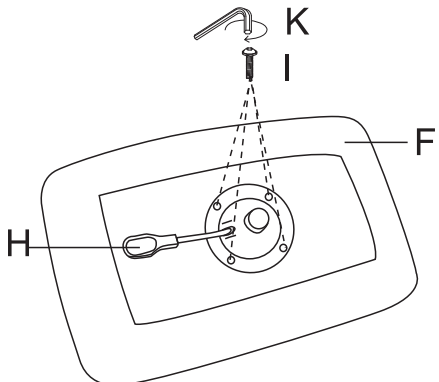
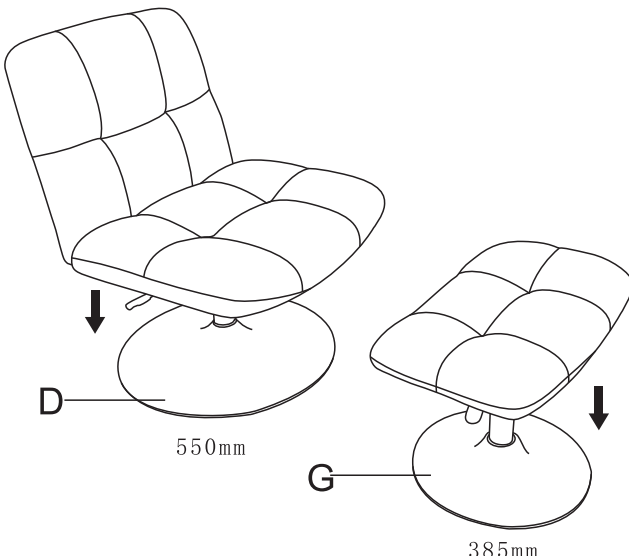


ASSEMBLY INSTRUCTION

<p>Ax1</p> 	<p>Gx1</p>  <p>385mm</p>	<p>①</p> <p>remove the plastic cap before assembling</p>  <p>C</p> <p>D 550mm</p> <p>G 385mm</p>	<p>②</p>  <p>B</p> <p>A</p> <p>PUSH DOWN</p> <p>50%</p> <p>J</p> <p>K</p> <p>J</p> <p>When installing, it is recommended that 2 people work together.</p>	<p>③</p>  <p>K</p> <p>J</p> <p>E</p> <p>J</p> <p>After aligning the hole, tighten all the 8 screws J to 100%.</p>		
<p>Bx1</p> 	<p>Hx1</p> 				<p>Cx2</p> 	<p>Ix4 +1extra</p>  <p>M6x16mm</p>
<p>Dx1</p>  <p>550mm</p>	<p>Jx8+1extra</p>  <p>M6x25mm</p>				<p>Ex1</p> 	<p>Kx1</p> 
<p>Fx1</p> 		<p>④</p>  <p>K</p> <p>I</p> <p>F</p> <p>H</p>	<p>⑤</p>  <p>D 550mm</p> <p>G 385mm</p>			