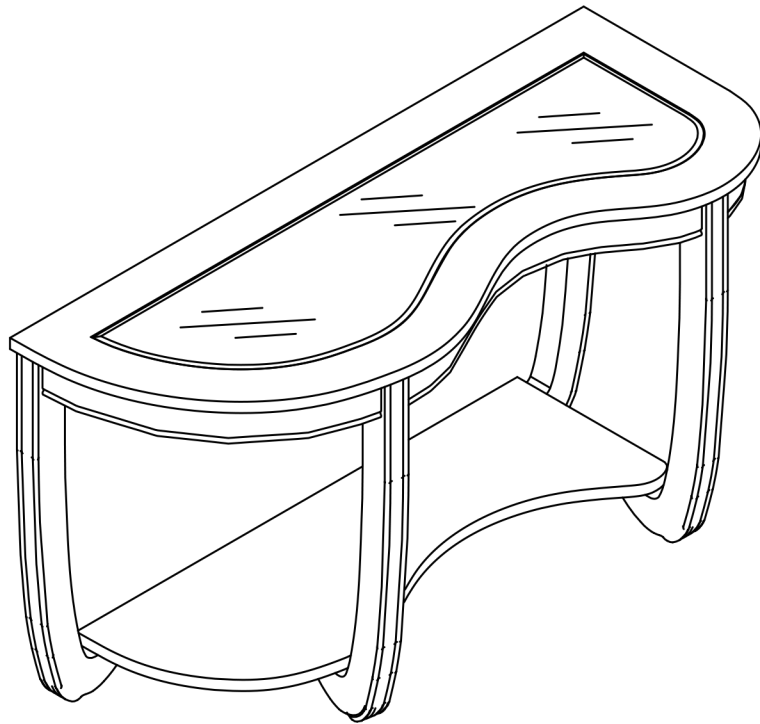


Assembly Instructions



ASSEMBLY RATING

The Assembly Rating is a 5-point system that shows the degree of effort needed in assembling a specific product (with 1 being easy and 5 being difficult). For some products, two persons are recommended.





EASY











DIFFICULT

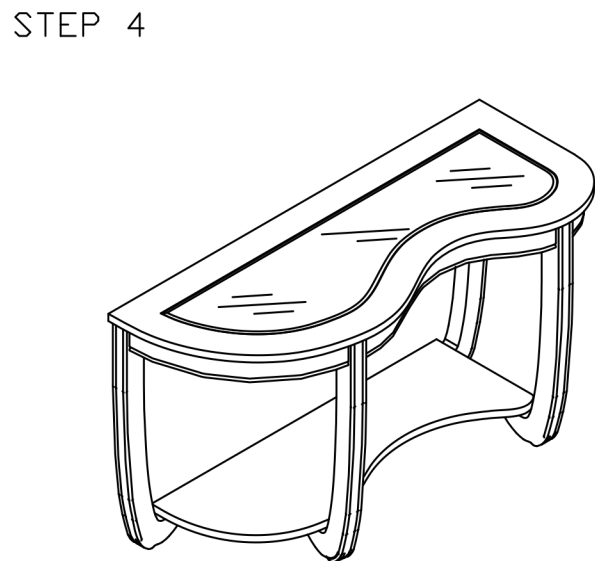
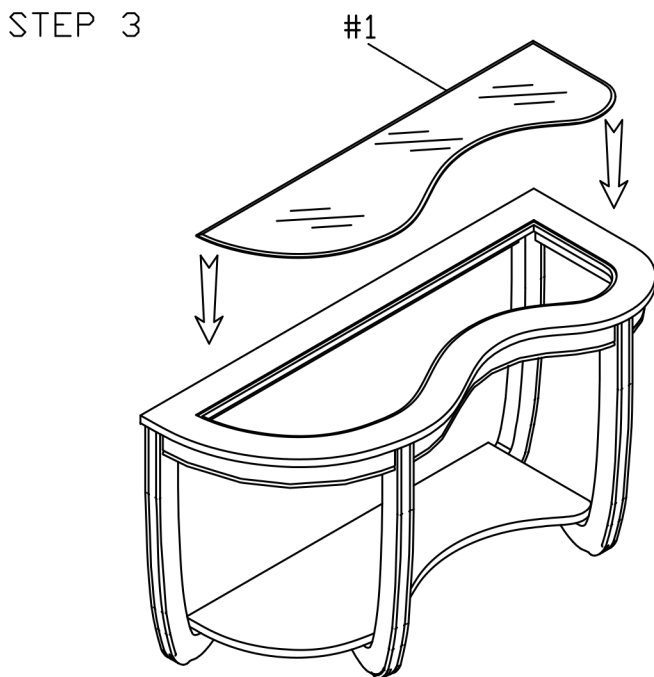
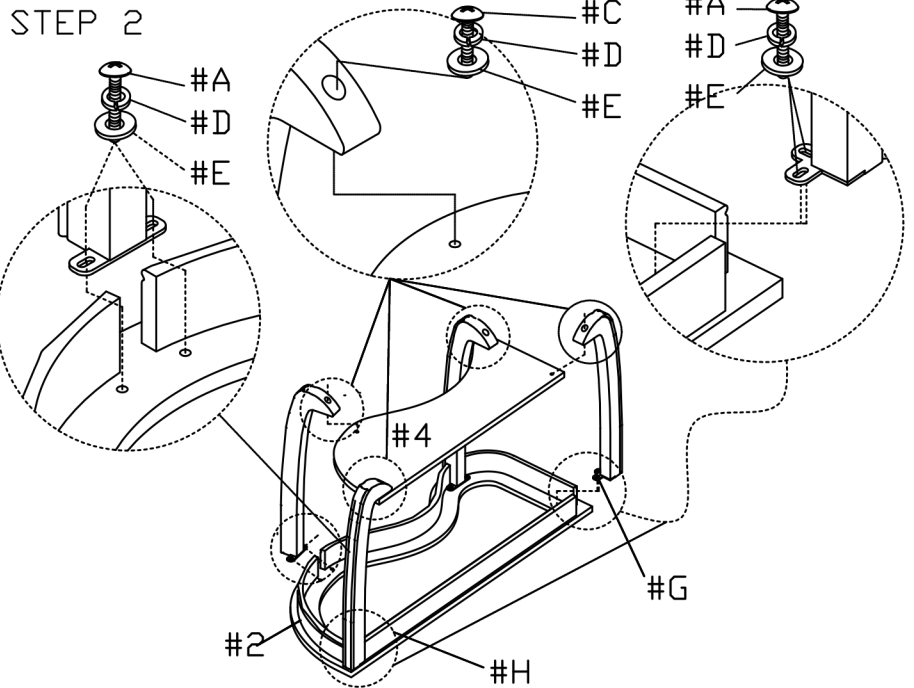
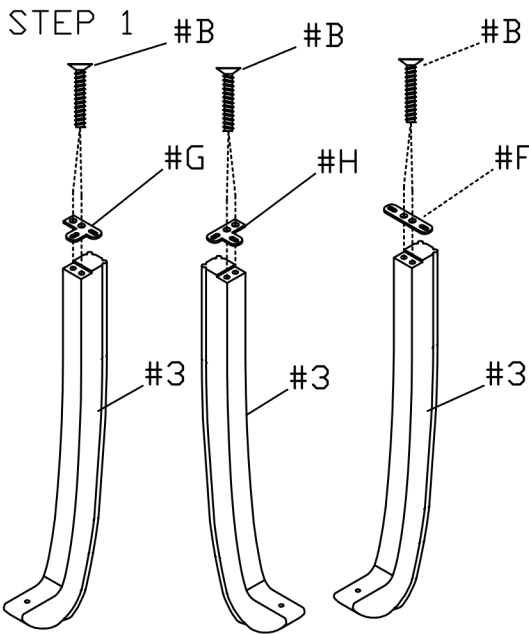
DO NOT TIGHTEN SCREWS UNTIL EACH STEP IS COMPLETED

PARTS IDENTIFICATION

#	DRAWING	DESCRIPTION	QTY
#1		Glass	1PC
#2		Top Frame	1PC
#3		Feet	4PCS
#4		Bottom Panel	1PC

HARDWARE LIST

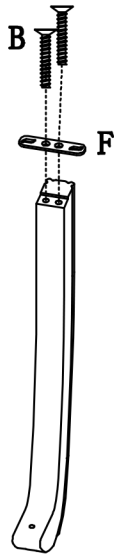
#	DRAWING	DESCRIPTION	QTY
#A		Bolt Ø1/4" x5/8"	8PCS
#B		Bolt Ø1/4" x1"	8PCS
#C		Bolt Ø1/4" x1-1/2"	4PCS
#D		Lock Washer Ø1/4"	12PCS
#E		Flat Washer Ø1/4"x 19mm	12PCS
#F		106*20*4mm	2PCS
#G		75*56*4mm	1PC
#H		75*56*4mm	1PC



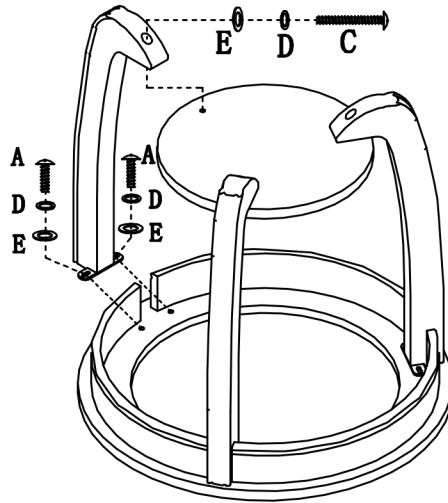
DO NOT TIGHTEN SCREWS UNTIL EACH STEP IS COMPLETED

Assembly Instructions

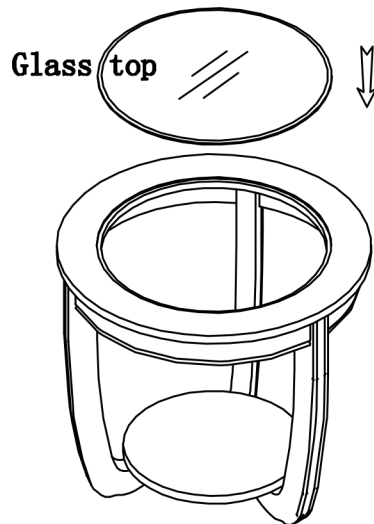
step1



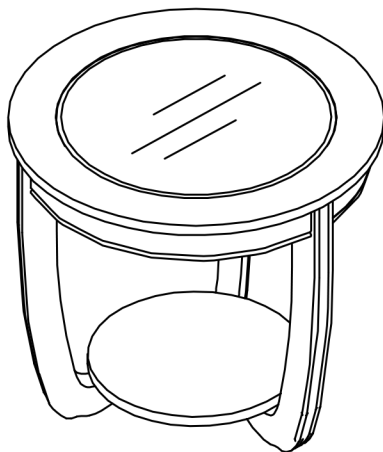
step2



step3



final



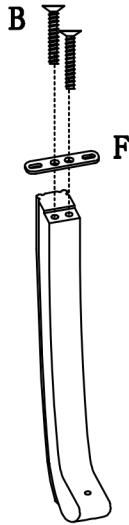
HARDWARE LIST:

NO.	DRAWING	QTY	DESCRIPTION
A		6PCS	BOLT ($\phi 1/4'' * 5/8''$ L)
B		6PCS	BOLT ($\phi 1/4'' * 1''$ L)
C		3PCS	BOLT ($\phi 1/4'' * 1-1/2''$ L)
D		9PCS	LOCK WASHER ($\phi 1/4''$)
E		9PCS	WASHER ($\phi 1/4'' * 19$ mm)
F		3PCS	

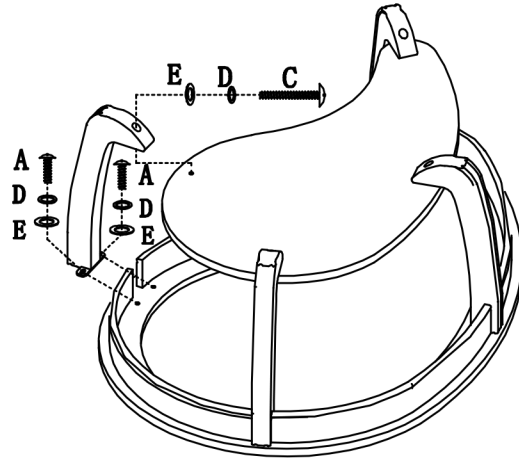
*DO NOT TIGHTEN SCREWS UNTIL COMPLETELY ASSEMBLED! !

Assembly Instructions

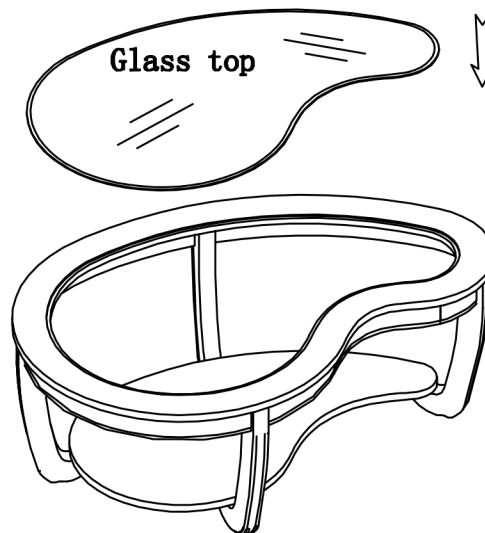
step1



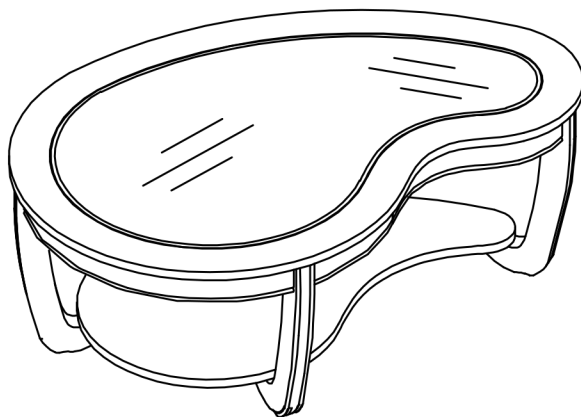
step2



step3



final



HARDWARE LIST:

NO.	DRAWING	QTY	DESCRIPTION
A		8PCS	BOLT ($\phi 1/4'' * 5/8''$ L)
B		8PCS	BOLT ($\phi 1/4'' * 1''$ L)
C		4PCS	BOLT ($\phi 1/4'' * 1-1/2''$ L)
D		12PCS	LOCK WASHER ($\phi 1/4''$)
E		12PCS	WASHER ($\phi 1/4'' * 19\text{mm}$)
F		4PCS	

*DO NOT TIGHTEN SCREWS UNTIL COMPLETELY ASSEMBLED! !