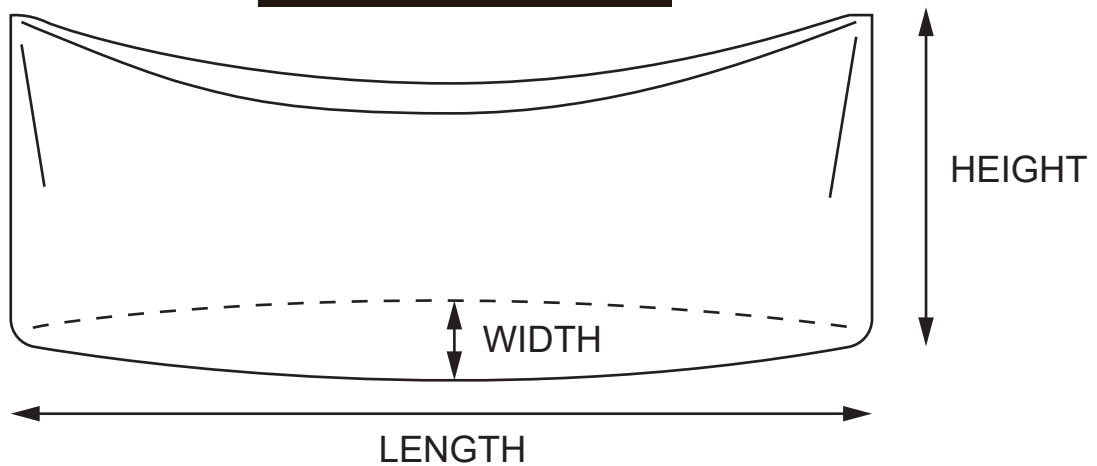


HAMMOCK STAND COVER



- Polyester with PU backing
- Waterproof and UV resistant
- Protects from damage by rain and snow
- Drawstring & toggle for securing
- Easy & convenient to use and store

SIZE SELECT:

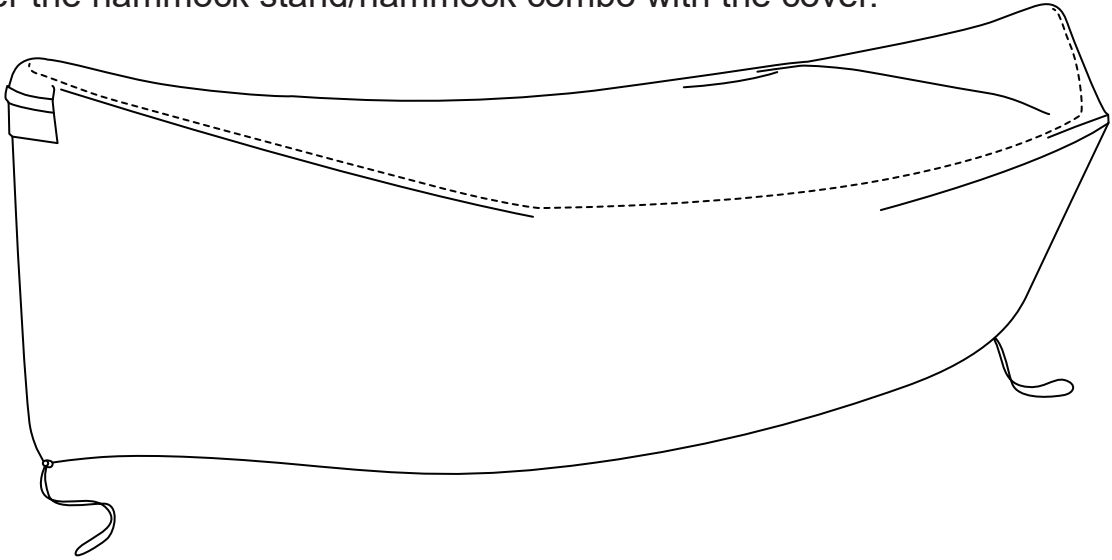


ITEM NO.:SC101
LENGTH:151"
WIDTH:54"
HEIGHT:37"

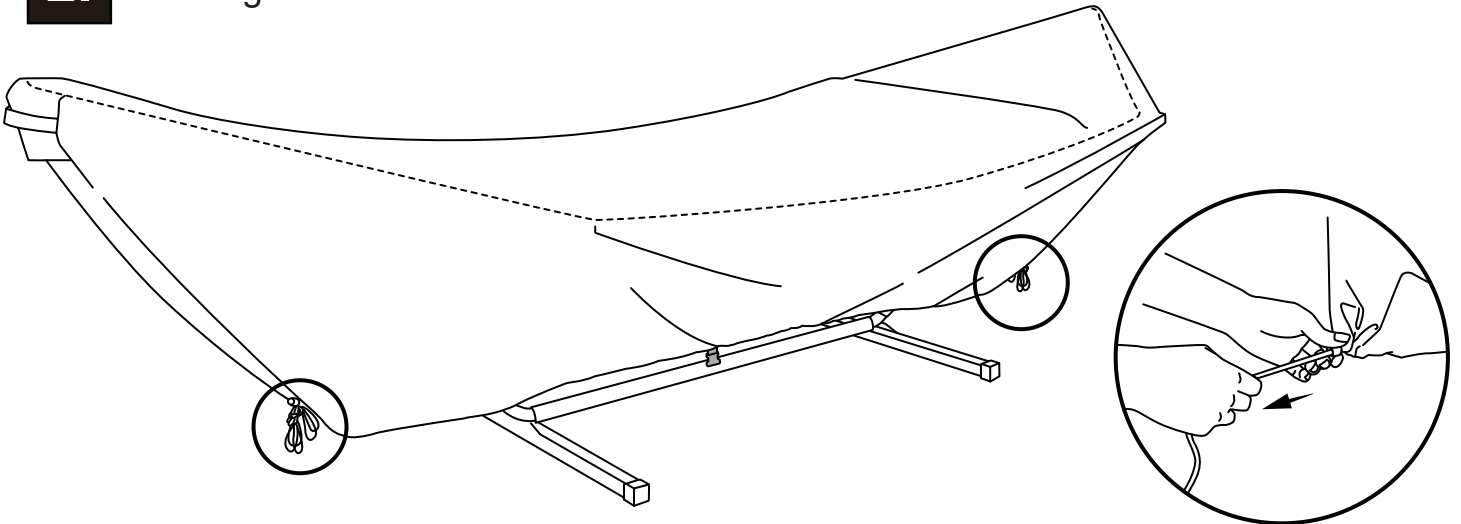
ITEM NO.:SC102
LENGTH:135"
WIDTH:55"
HEIGHT:36.6"

ITEM NO.:SC103
LENGTH:173"
WIDTH:55"
HEIGHT:35.4"

1. Cover the hammock stand/hammock combo with the cover.



2. Pull tight the elastic hem with the cord lock.



3. Fasten the buckle.

