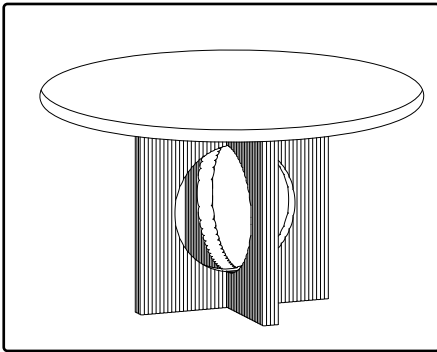


# ASSEMBLY INSTRUCTIONS

## SKU/ITEM# - 766-T

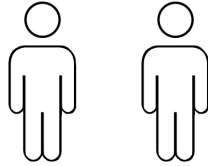
**meridian.**  
furniture



+ Do Not Use  
Power Tools



+ Suggested  
Adults



**NOTE:** For questions about parts or assembly please email [support@meridianfurnitureusa.com](mailto:support@meridianfurnitureusa.com) or call us at 718-758-4455.

- 1 Read instructions cover to cover.
- 2 Save all packaging until assembly is completed.

### 1 IMPORTANT SAFETY INFORMATION

Do not assemble the product if any of the following parts arrived damaged:

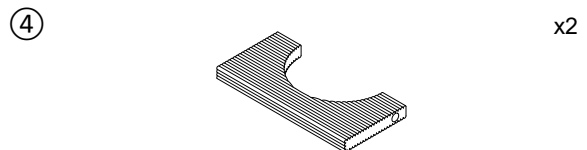
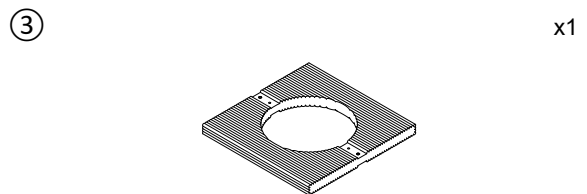
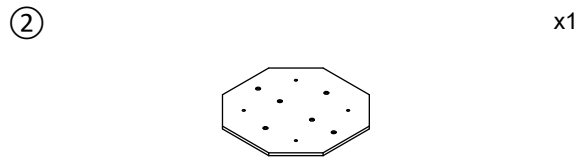
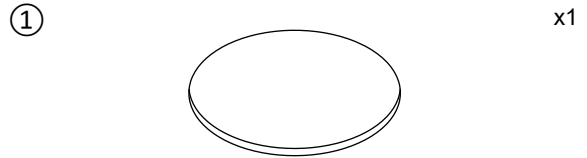
- Part ① - Table top
- Part ② - Connection panel
- Part ③ - Base
- Part ④ - Base

### 2 IMPORTANT ASSEMBLY INFORMATION

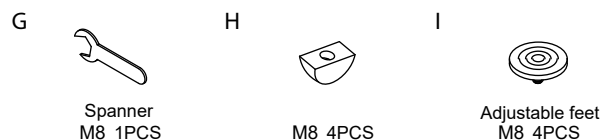
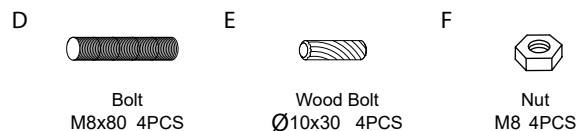
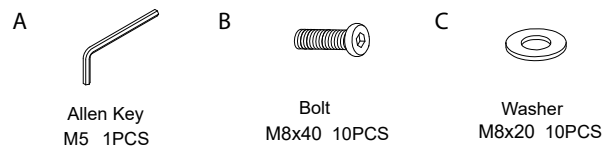
- Assembly Step ① Put base in place .
- Assembly Step ② Put bolt.
- Assembly Step ③ Take the # 4 base and assemble.
- Assembly Step ④ Put the hardware and fasten .
- Assembly Step ⑤ Use bolt assemble the connection panel and base together.
- Assembly Step ⑥ Use bolt assemble the connection panel and top together.

\*Warning: Do not over tighten screws, or it could damage the Table Top.

### + Parts Included

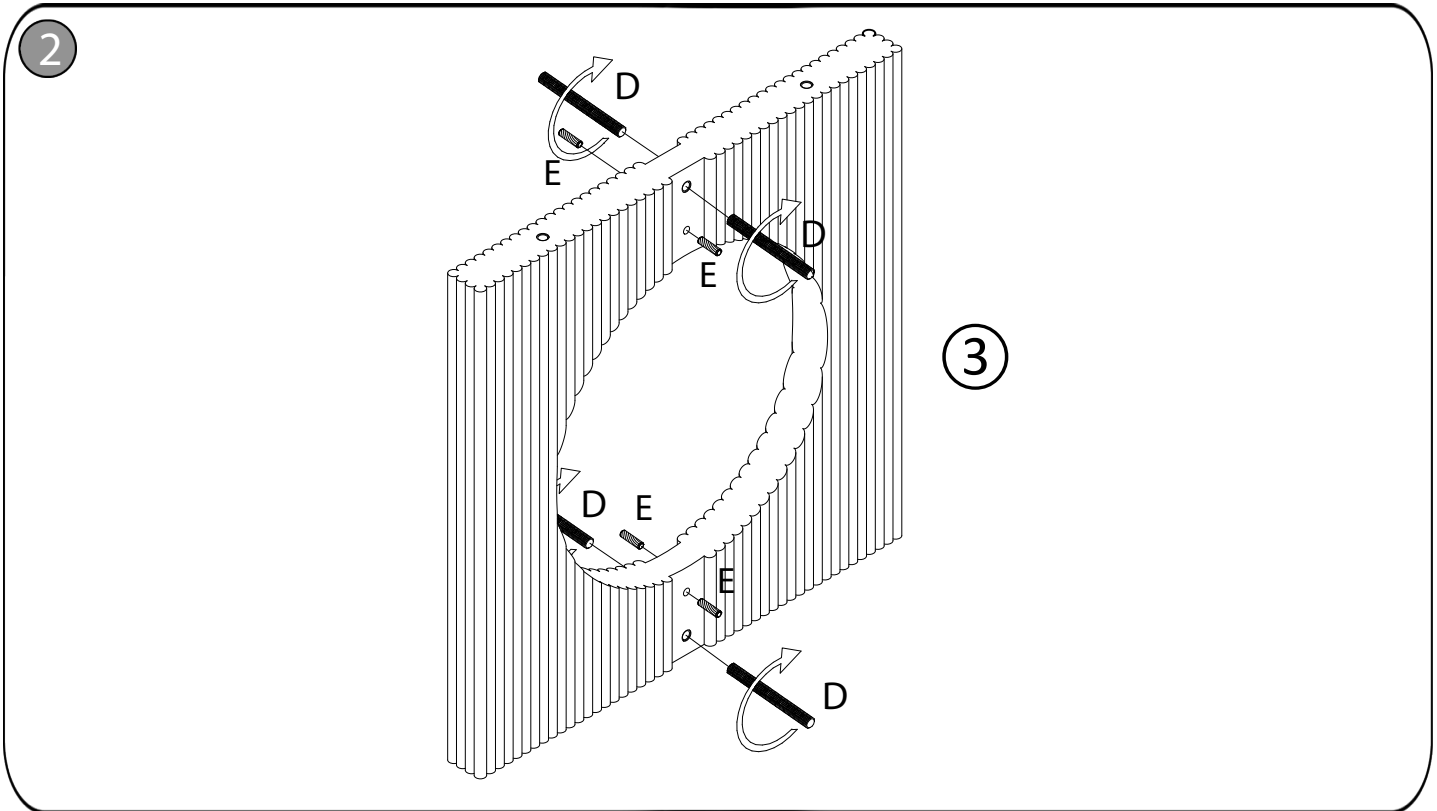
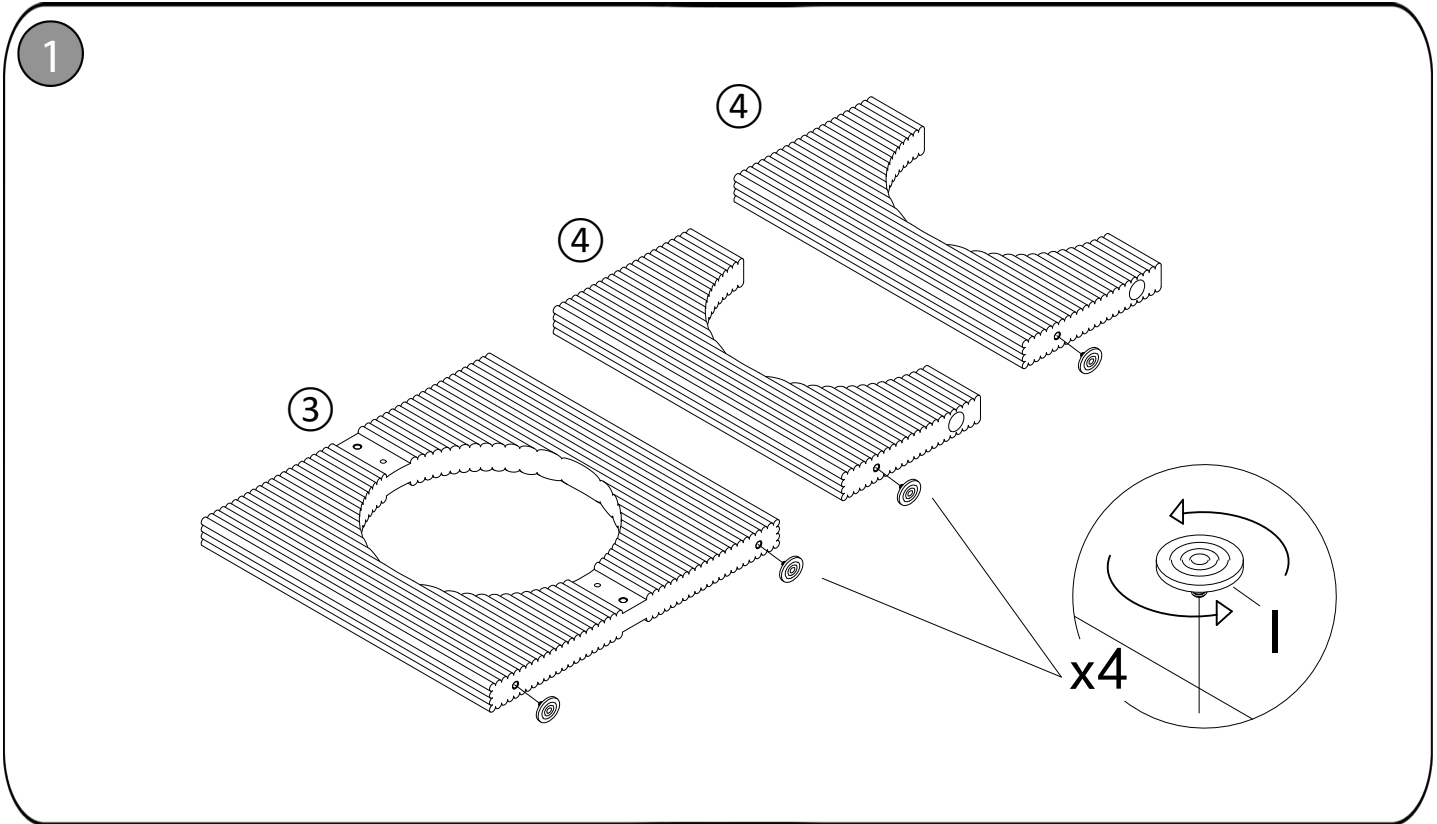


### + Hardware Included



# ASSEMBLY INSTRUCTIONS

SKU/ITEM# - 766-T

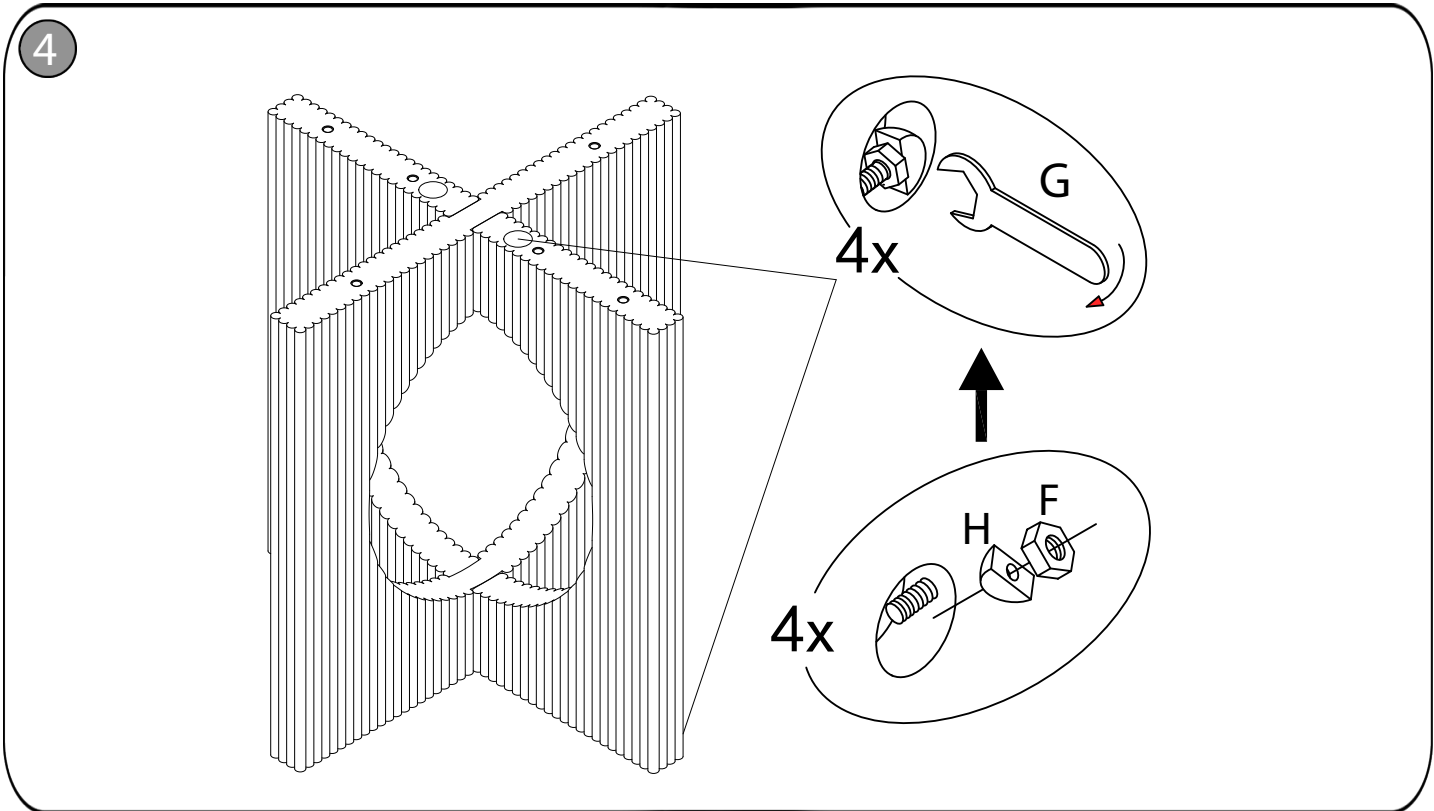
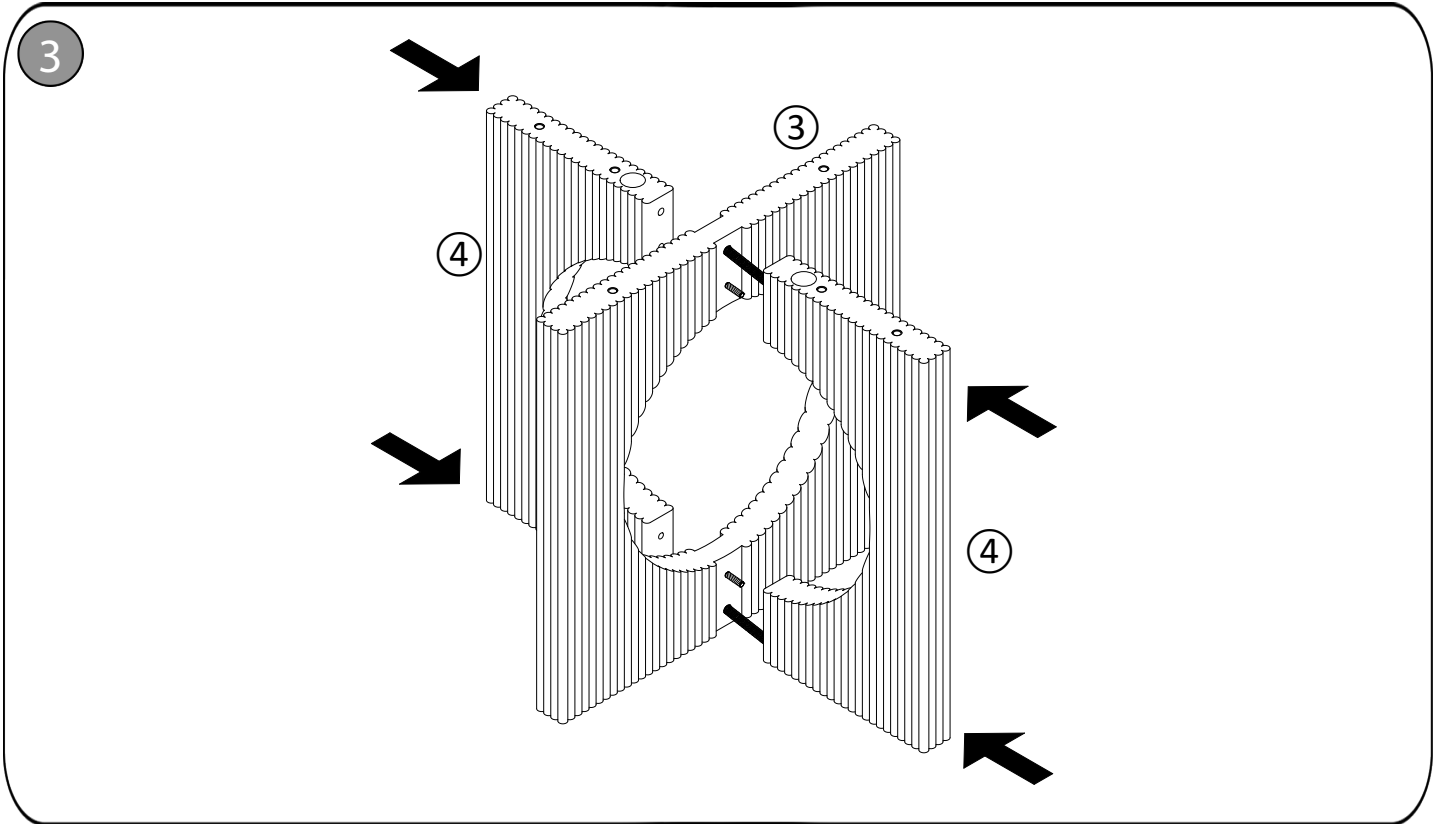


NOTE: For questions about parts or assembly please email [support@meridianfurnitureusa.com](mailto:support@meridianfurnitureusa.com) or call us at 718-758-4455.

[www.MeridianFurnitureUSA.com](http://www.MeridianFurnitureUSA.com) | [support@meridianfurnitureusa.com](mailto:support@meridianfurnitureusa.com)

# ASSEMBLY INSTRUCTIONS

SKU/ITEM# - 766-T



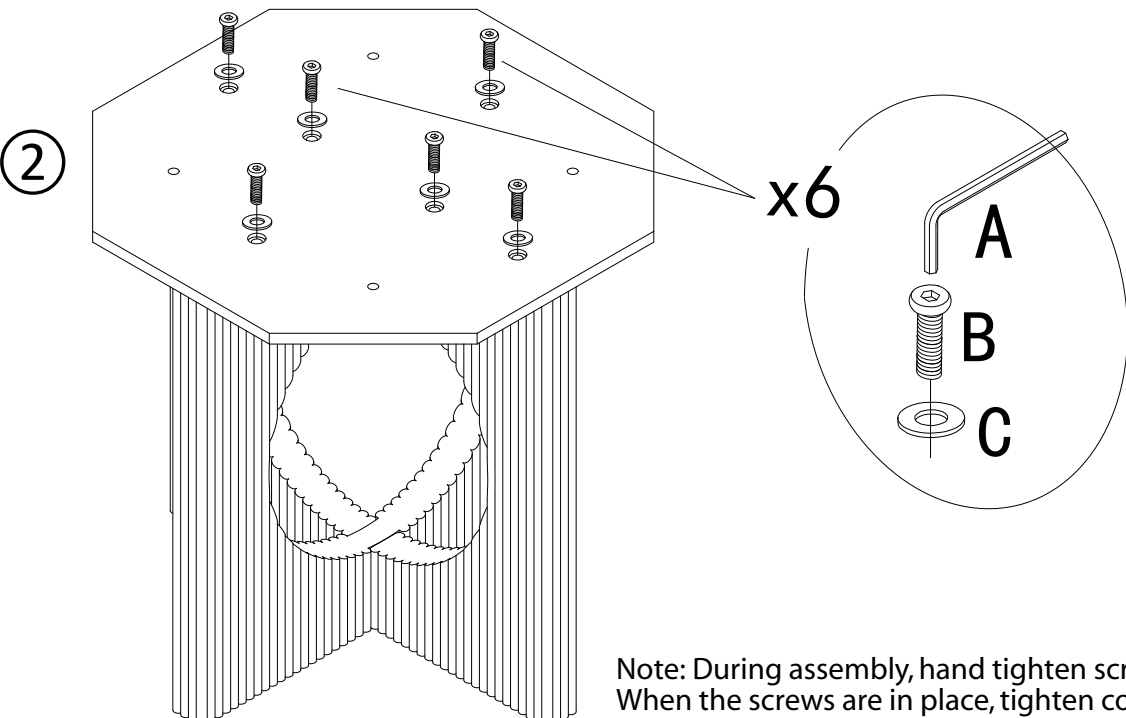
NOTE: For questions about parts or assembly please email [support@meridianfurnitureusa.com](mailto:support@meridianfurnitureusa.com) or call us at 718-758-4455.

# ASSEMBLY INSTRUCTIONS

SKU/ITEM# - 766-T

5

2

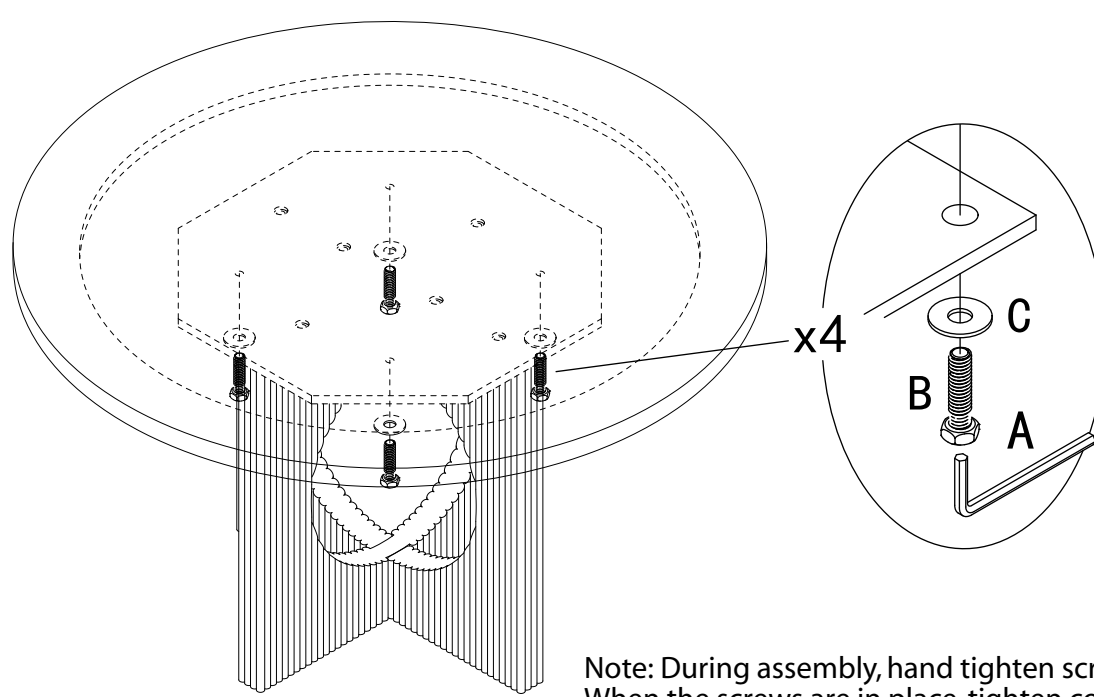


x6

A  
B  
C

Note: During assembly, hand tighten screws only. When the screws are in place, tighten completely.

6



x4

A  
B  
C

Note: During assembly, hand tighten screws only. When the screws are in place, tighten completely.

NOTE: For questions about parts or assembly please email [support@meridianfurnitureusa.com](mailto:support@meridianfurnitureusa.com) or call us at 718-758-4455.