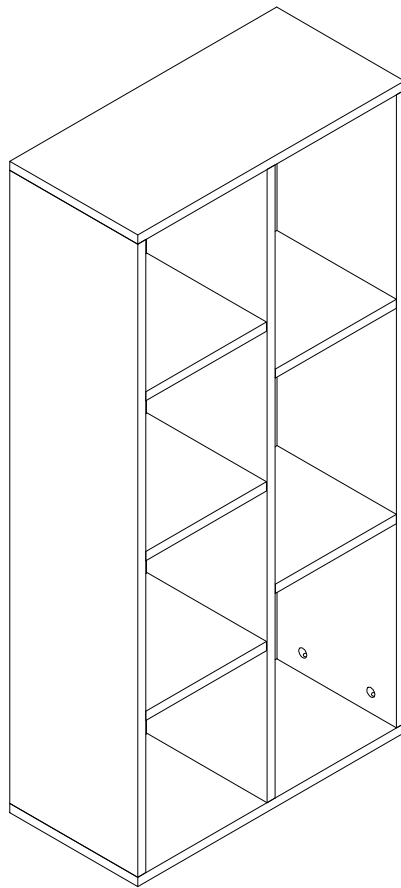
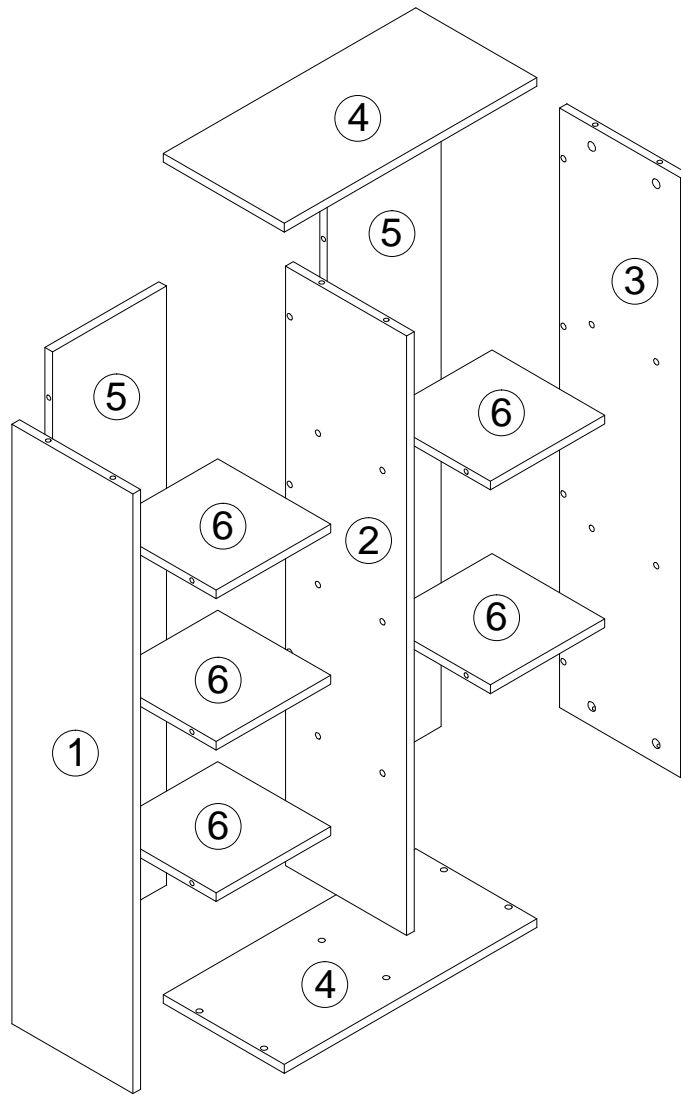


Installation & Assembly

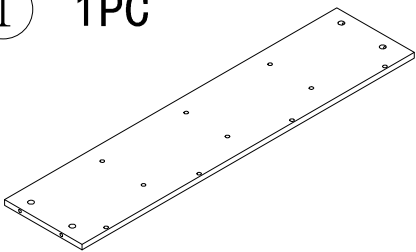
Book shelf



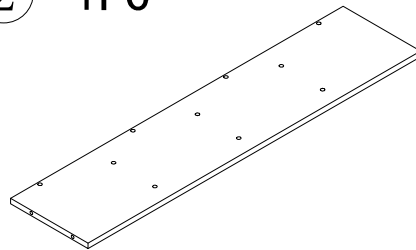
ASSEMBLY INSTRUCTION



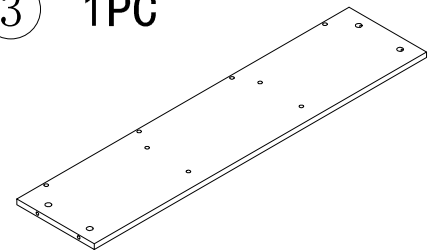
① 1PC



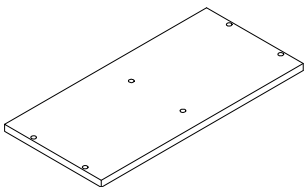
② 1PC



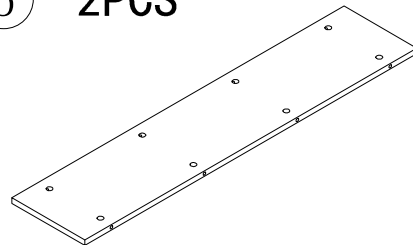
③ 1PC



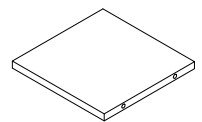
④ 2PCS



⑤ 2PCS



⑥ 5PCS



ASSEMBLY INSTRUCTION

A 48PCS



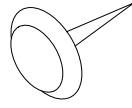
6x40

B 48PCS

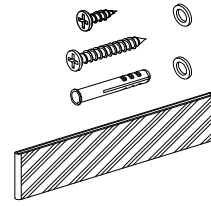


∅15x12

C 6PCS



D 1PC



TOOL

STEP 1

A 10PCS



B 10PCS

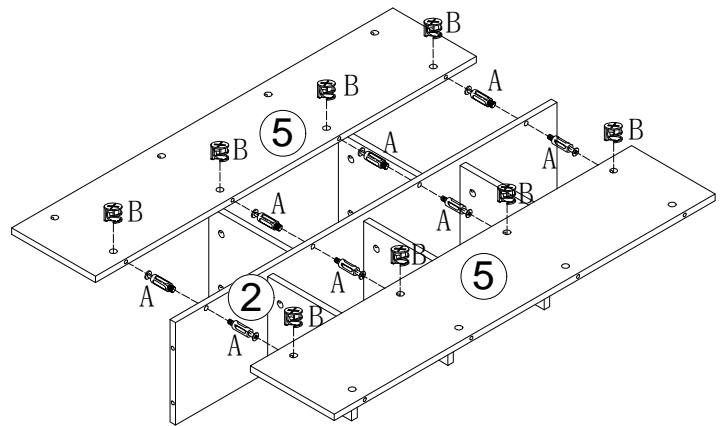
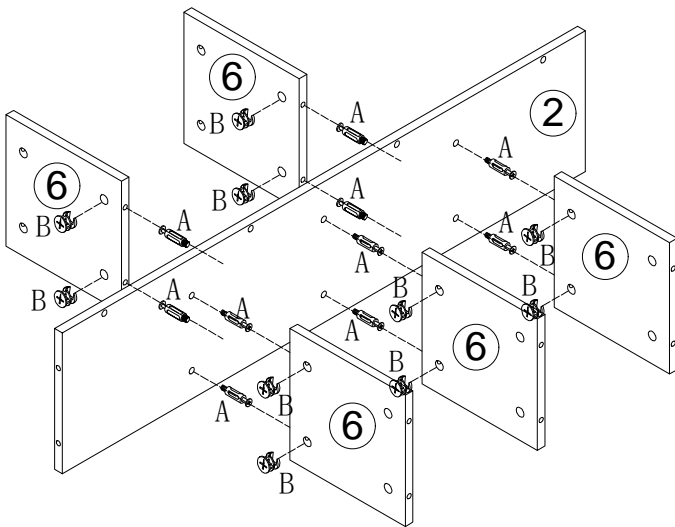


STEP 2

A 8PCS



B 8PCS



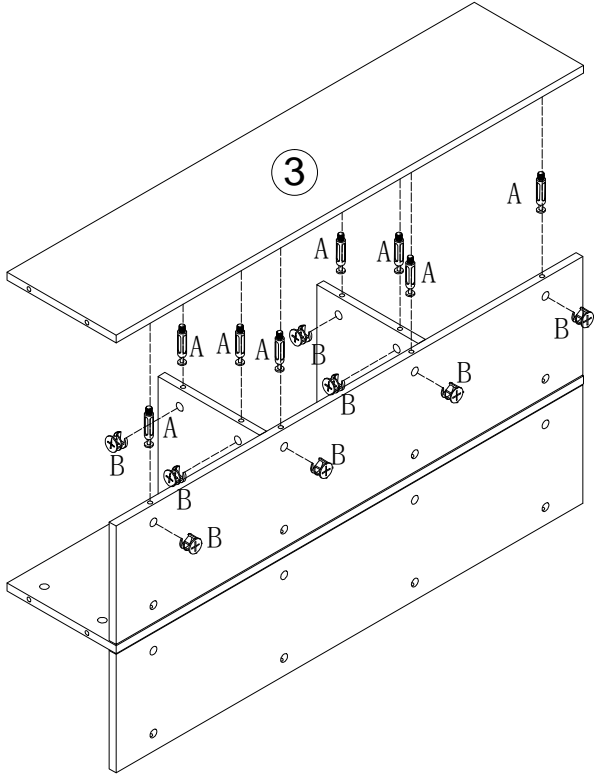
ASSEMBLY INSTRUCTION

STEP 3

A 8PCS



B 8PCS

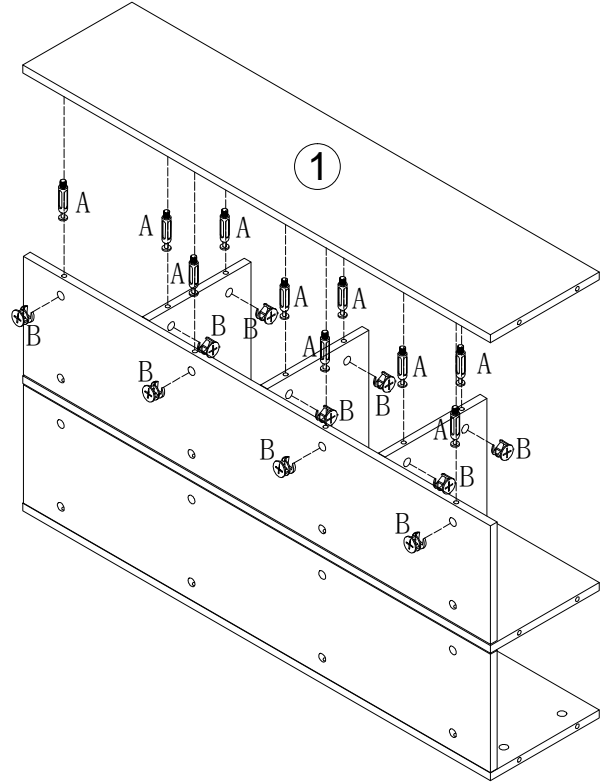


STEP 4

A 10PCS



B 10PCS



STEP 5

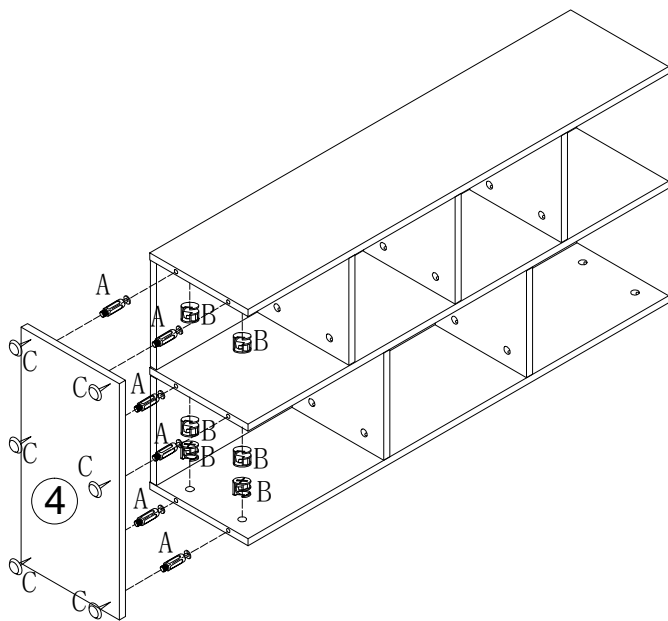
A 6PCS



B 6PCS



C 6PCS

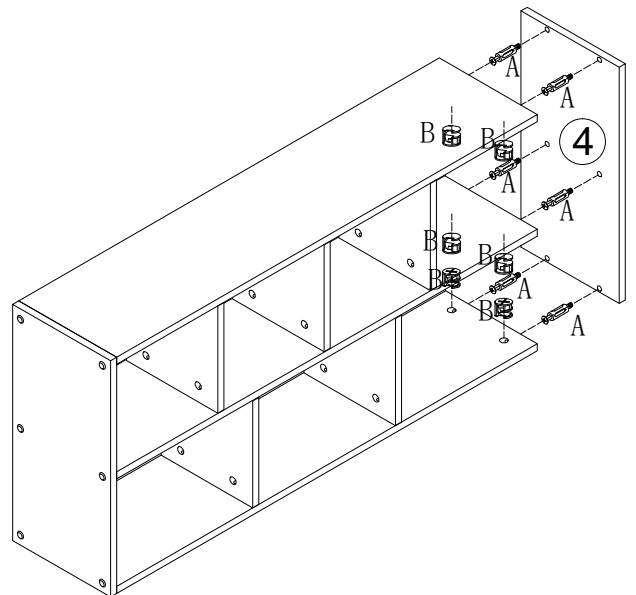


STEP 6

A 6PCS

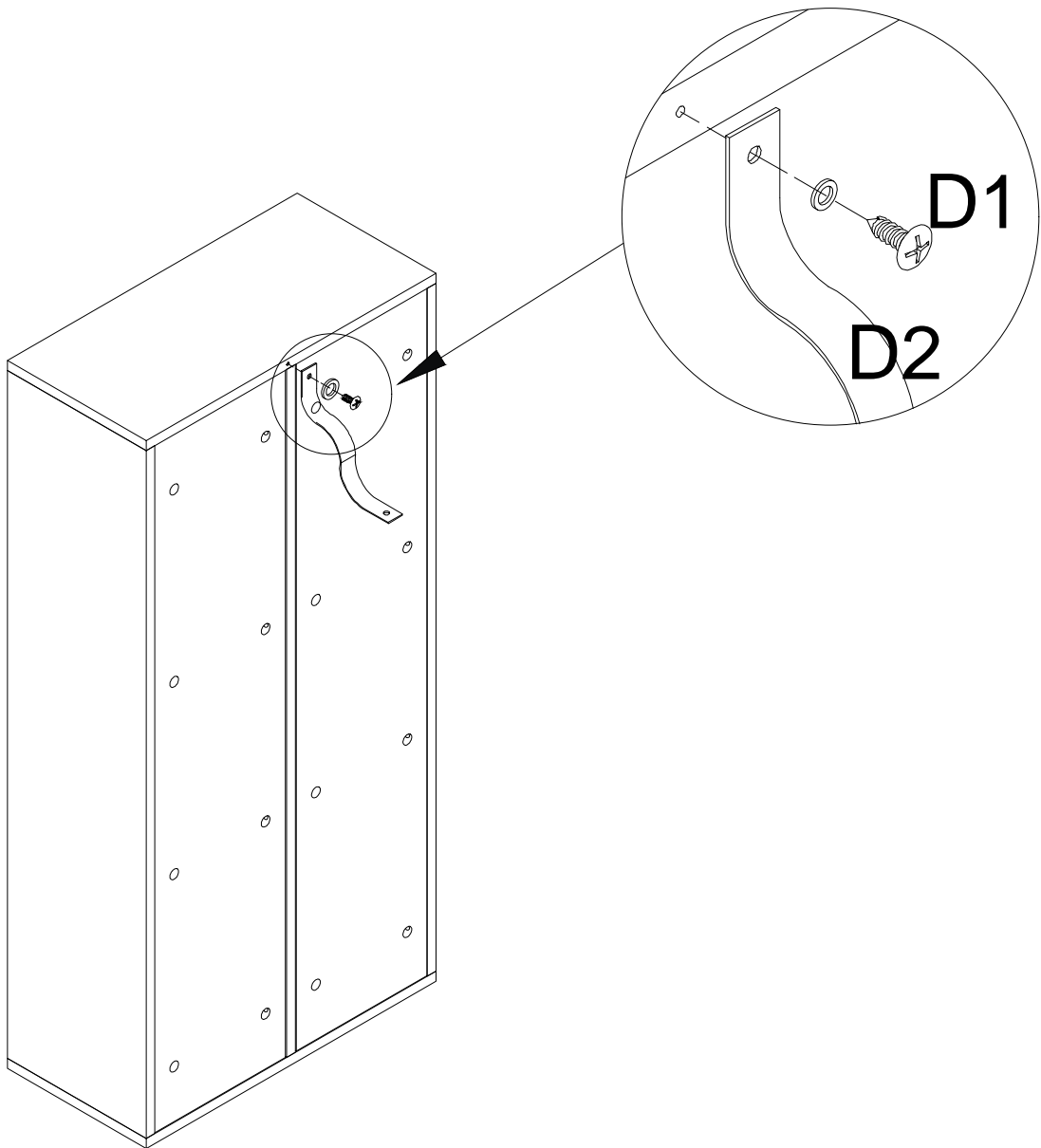


B 6PCS



STEP 7

D 1PC



STEP 8

D 1PC

