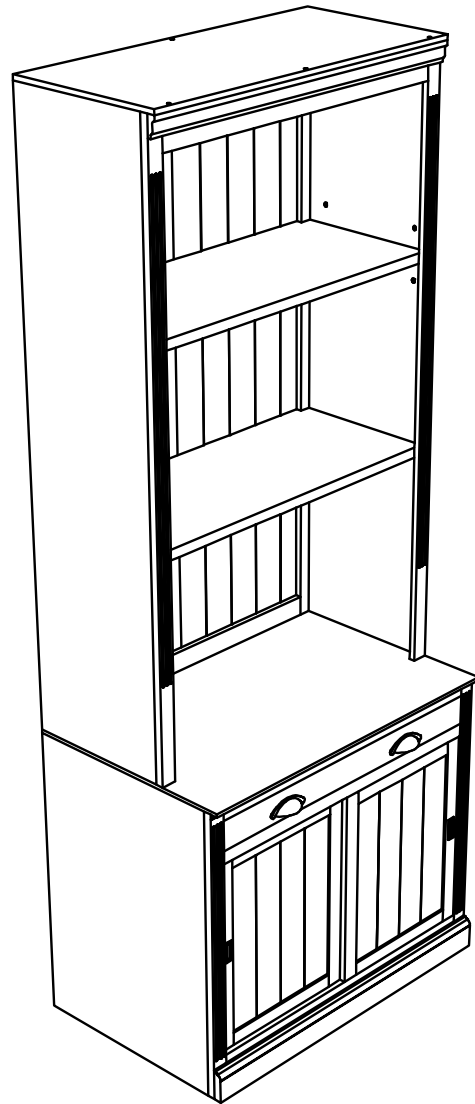


ASSEMBLY INSTRUCTION

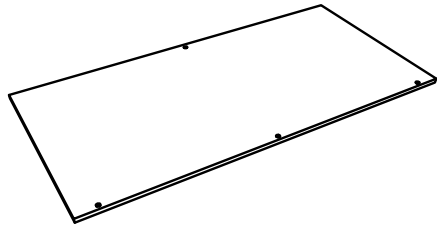
N751P379856 (N751P280593)

N751P379858 (N751P280596)



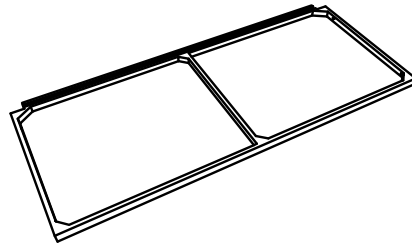
PARTS LIST - N751P379856 (N751P280593)

(A)



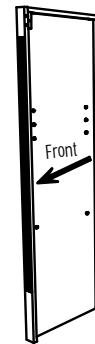
Quantity:
1 pc

(B)



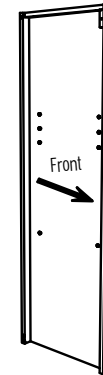
Quantity:
2 pcs

(CL)



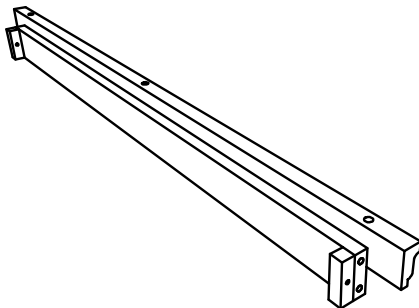
Quantity:
1 pc

(CR)



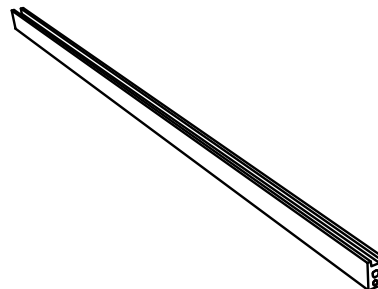
Quantity:
1 pc

(D)



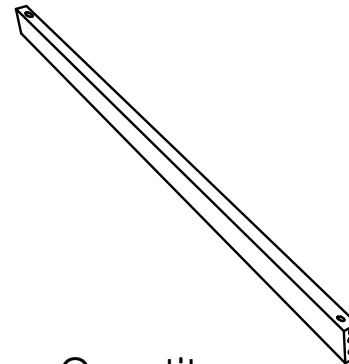
Quantity:
1 pc

(E)



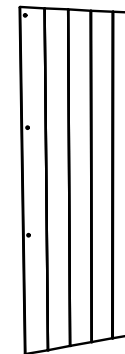
Quantity:
1 pc

(F)



Quantity:
1 pc

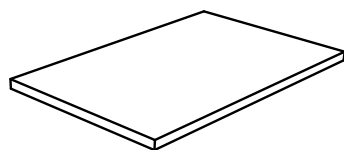
(G)



Quantity:
2 pcs

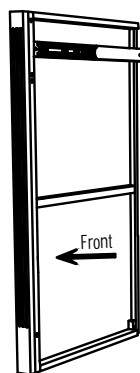
PARTS LIST - N751P379858 (N751P280596)

H



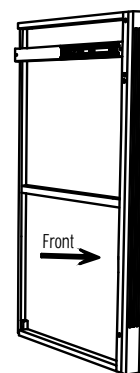
Quantity:
1 pc

lL



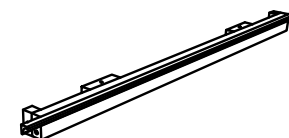
Quantity:
1 pc

lR



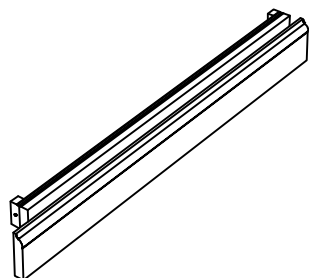
Quantity:
1 pc

J



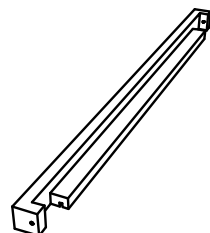
Quantity:
1 pc

K



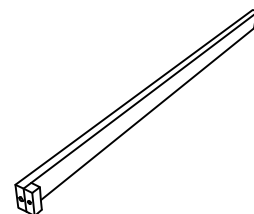
Quantity:
1 pc

L



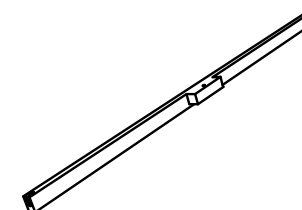
Quantity:
1 pc

M



Quantity:
1 pc

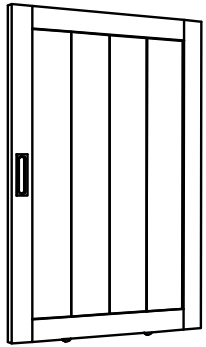
N



Quantity:
1 pc

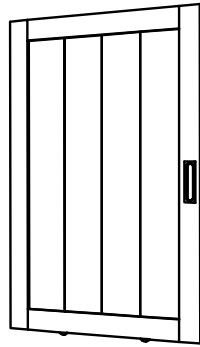
PARTS LIST - N751P379858 (N751P280596)

OL



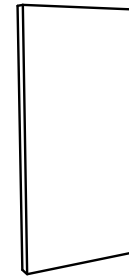
Quantity:
1 pc

OR



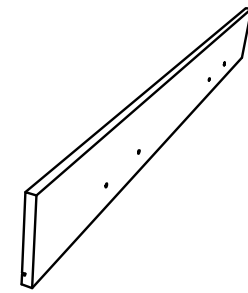
Quantity:
1 pc

P



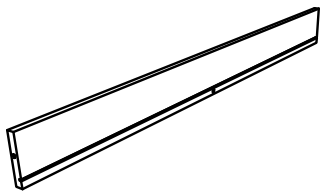
Quantity:
2 pcs

Q



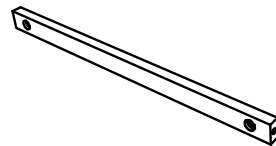
Quantity:
1 pc

R



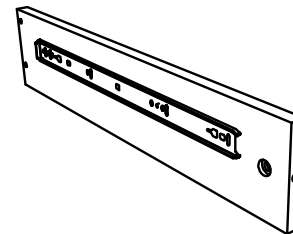
Quantity:
1 pc

S



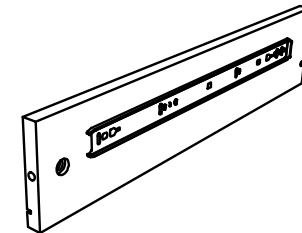
Quantity:
1 pc

TL



Quantity:
1 pc

TR



Quantity:
1 pc

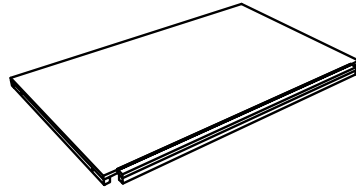
PARTS LIST - N751P379858 (N751P280596)

U



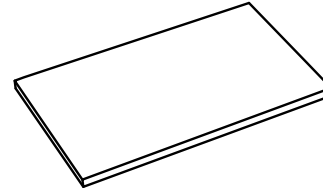
Quantity:
1 pc

X

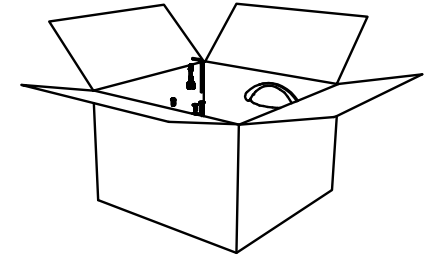


Quantity:
1 pc

Y






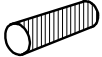



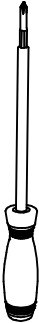
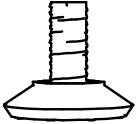



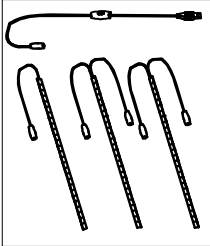



Quantity:
1 pc

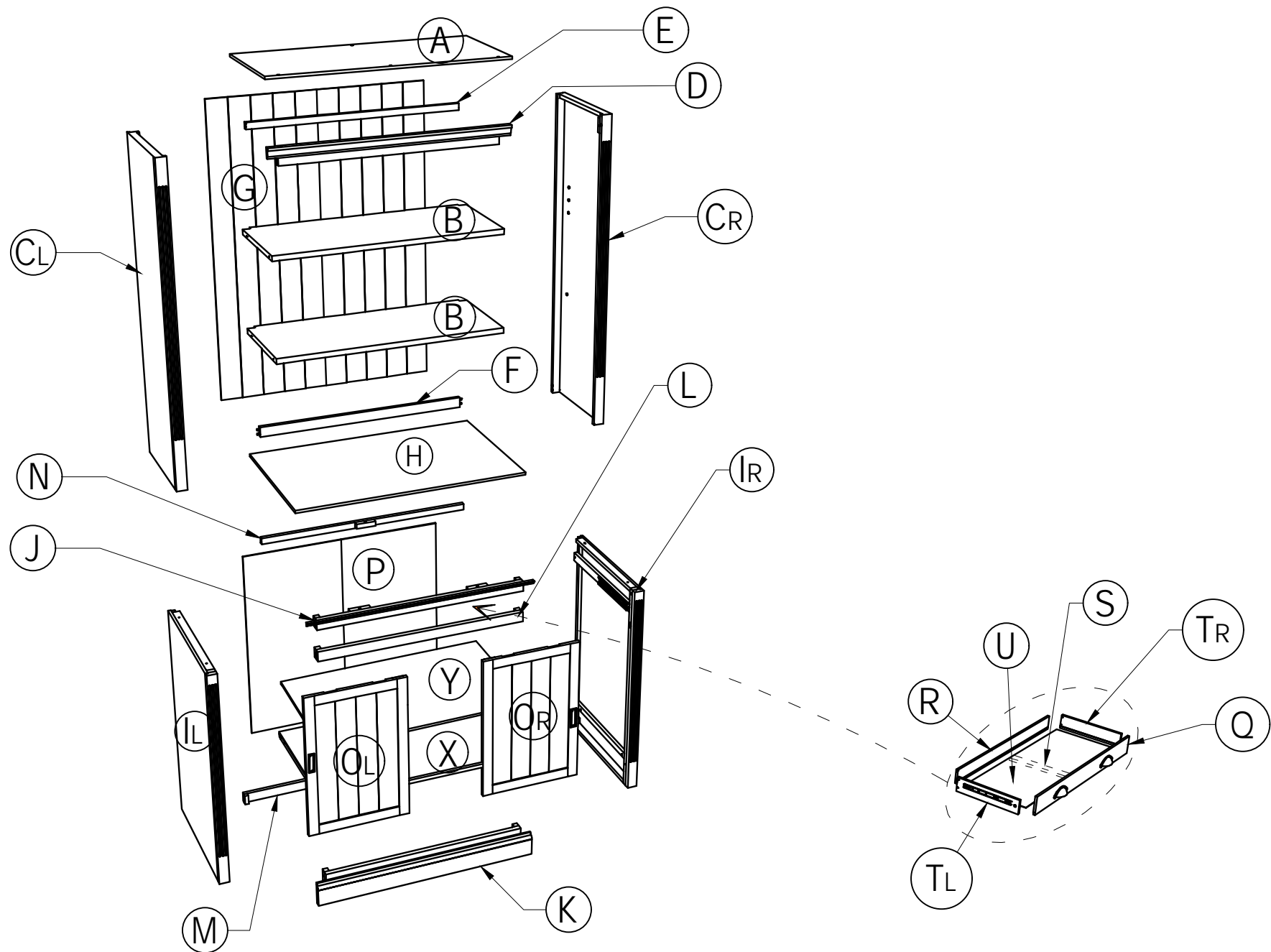


HARDWARE

HARDWARE LIST

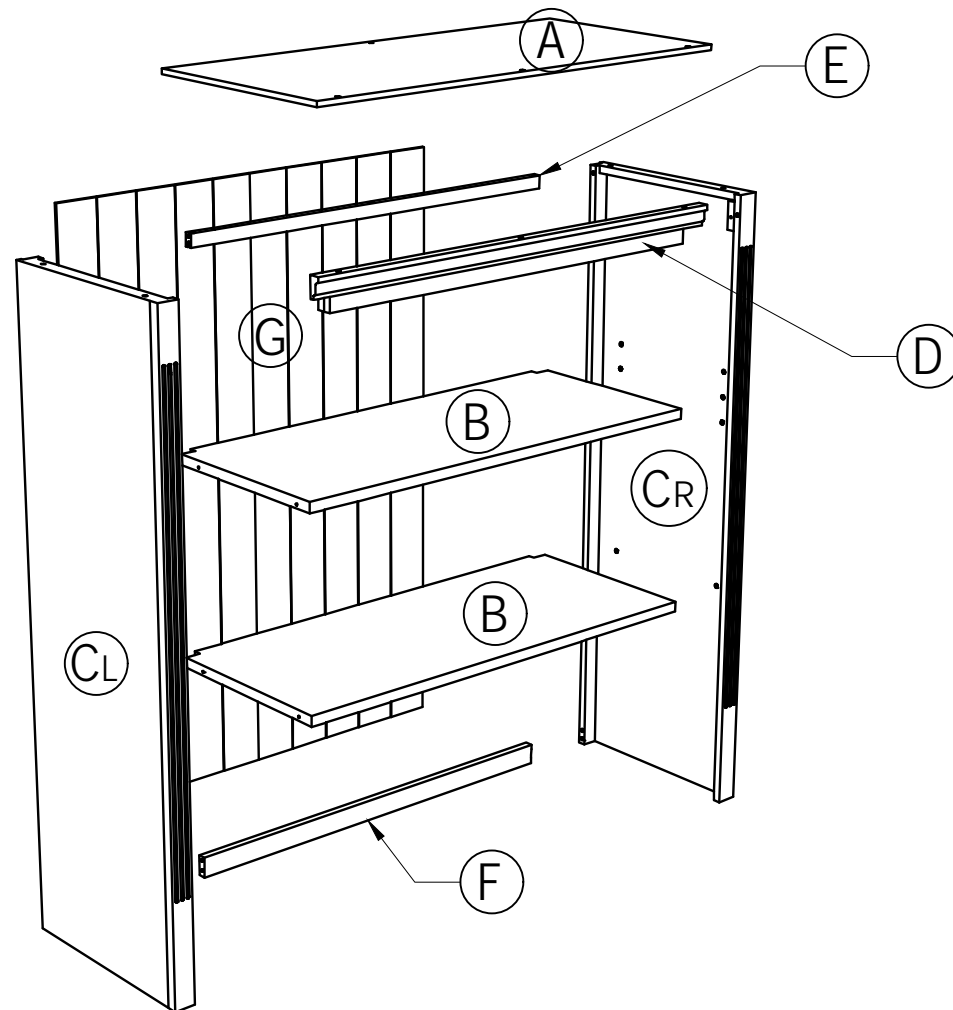
<p>①</p>  <p>Allen key Quantity: 1 pc</p>	<p>②</p>  <p>Cam lock pin Cam lock Quantity: 4 pcs + extra 1pc</p>	<p>③</p>  <p>6x30mm Quantity: 41 pcs + extra 3pcs</p>	<p>④</p>  <p>6x16mm Quantity: 33 pcs + extra 3pcs</p>	<p>⑤</p>  <p>5x15mm Quantity: 4 pcs + extra 1pc</p>	<p>⑥</p>  <p>8x30mm Quantity: 20 pcs + extra 2pcs</p>	<p>⑦</p>  <p>4x30mm Quantity: 8 pcs + extra 1pc</p>	<p>⑧</p>  <p>3x15mm Quantity: 46 pcs + extra 3pcs</p>	<p>⑨</p>  <p>Quantity: 2 pcs</p>
<p>⑩</p>  <p>Screwdrivers Quantity: 1 pc</p>	<p>⑪</p>  <p>15x20mm Quantity: 4 pcs</p>	<p>⑫</p>  <p>20x80mm Quantity: 2 pcs</p>	<p>⑬</p>  <p>4x20mm Quantity: 4 pcs</p>	<p>⑭</p>  <p>4x25mm Quantity: 4 pcs</p>	<p>⑮</p>  <p>LED Light strip Quantity: 1 pc</p>	<p>⑯</p>  <p>2 SET</p> <p>Anti fall hardware Quantity: 1 pc</p>		

COMPONENTS - KEY DIAGRAM



COMPONENTS - KEY DIAGRAM

N751P379856 (N751P280593)



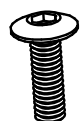
STEP 1

1



1 pc

3



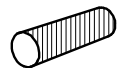
6x30mm
1 pc

4



6x16mm
1 pc

6



8x30mm
4 pcs

7

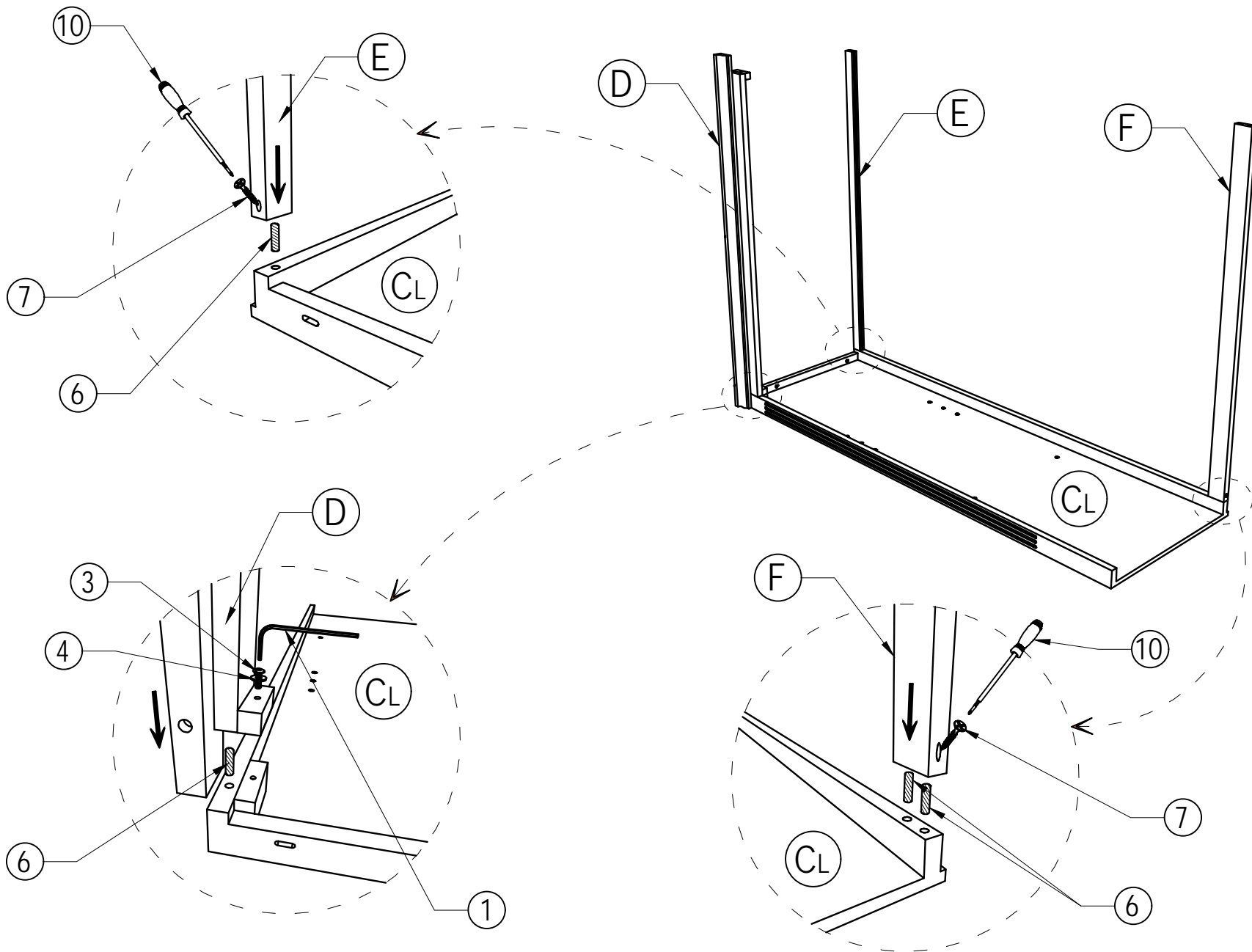


4x30mm
2 pcs

10



1 pc



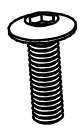
STEP 2

1



1 pc

3

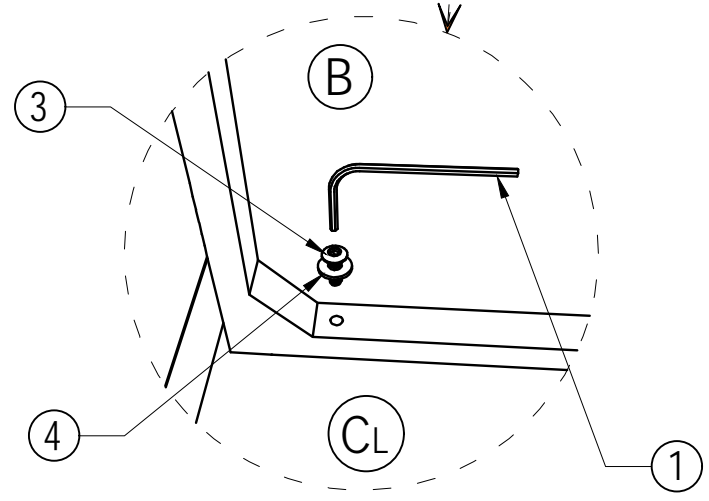
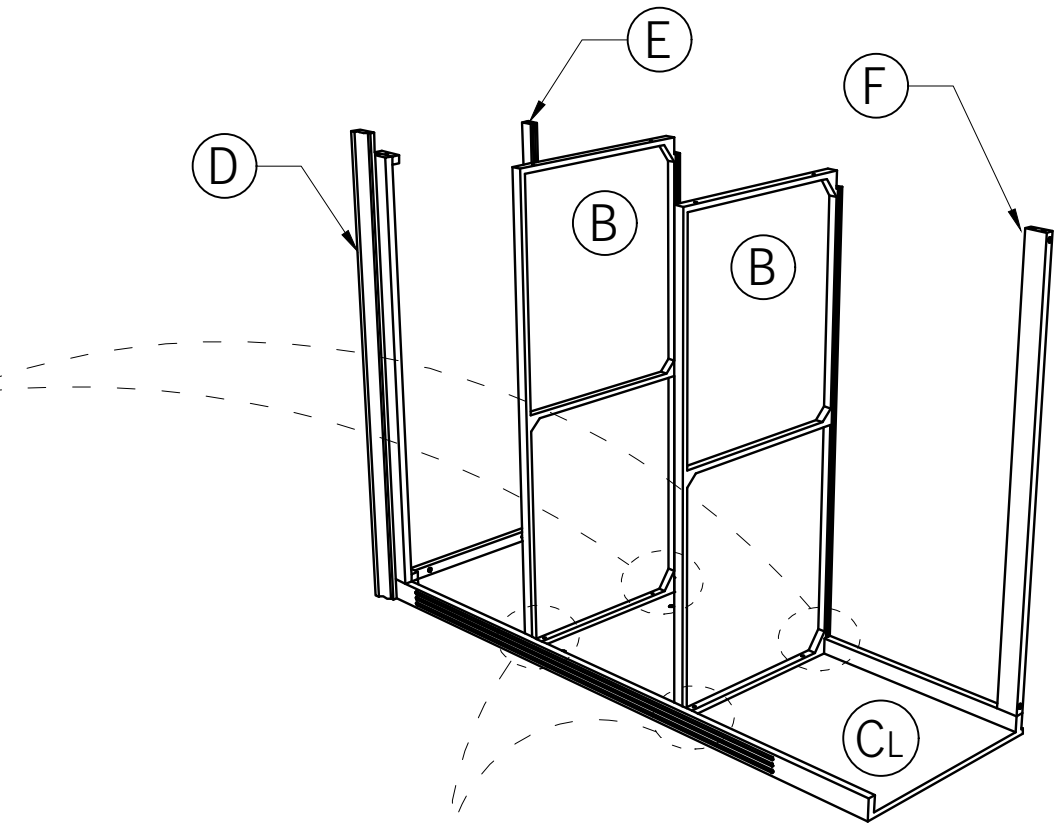
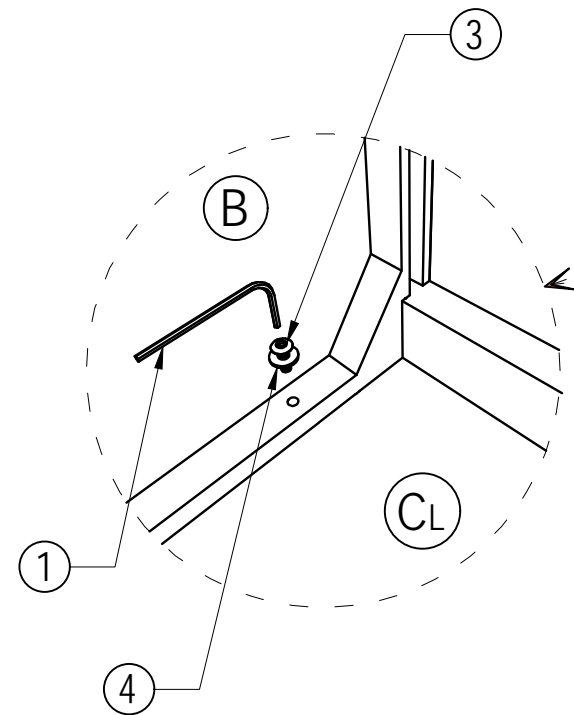


6x30mm
4 pcs

4

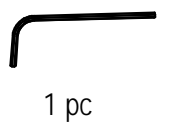


6x16mm
4 pcs



STEP 3

1



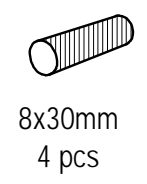
3



4



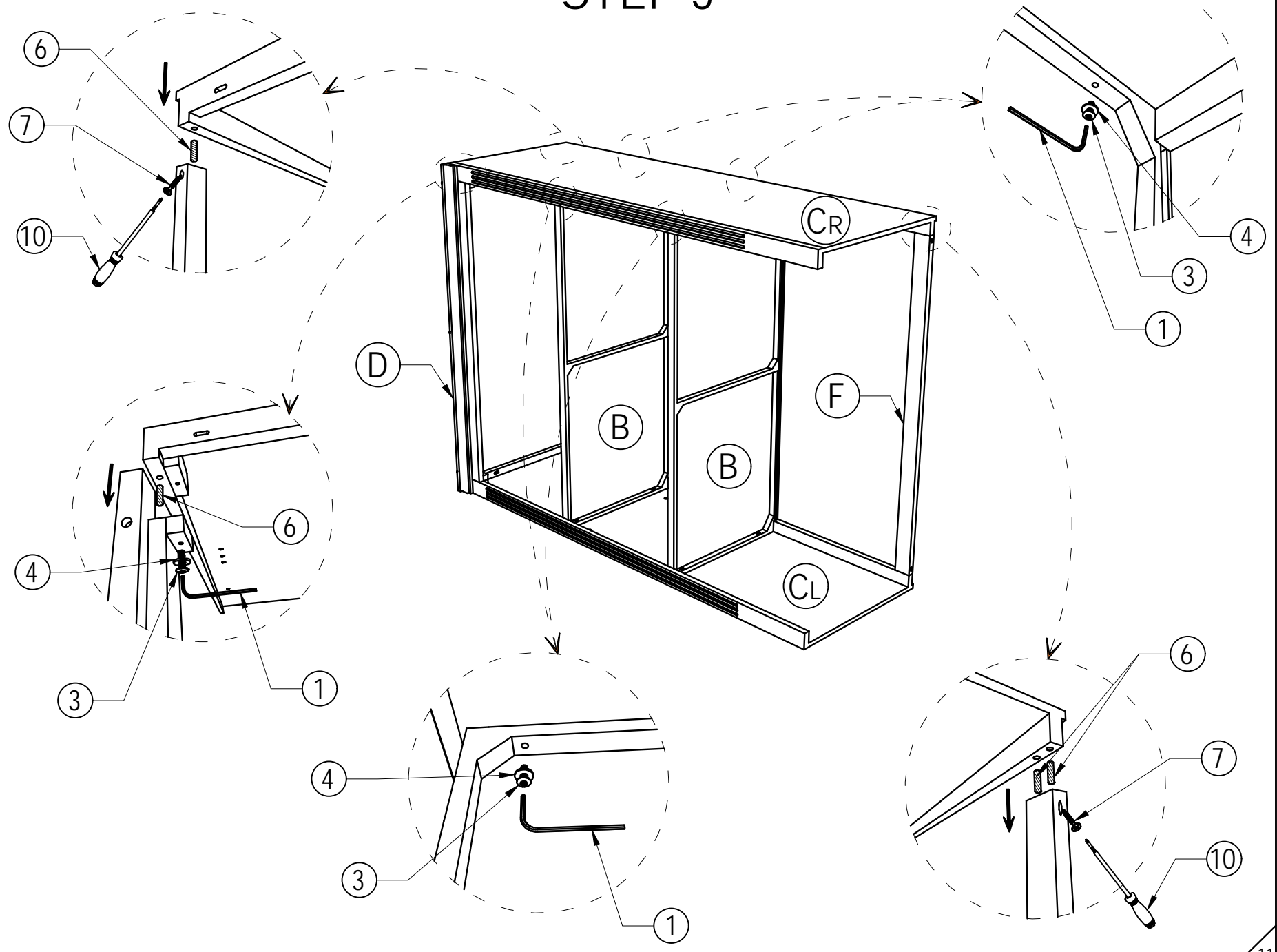
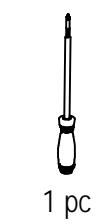
6



7



10



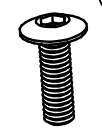
STEP 4

1

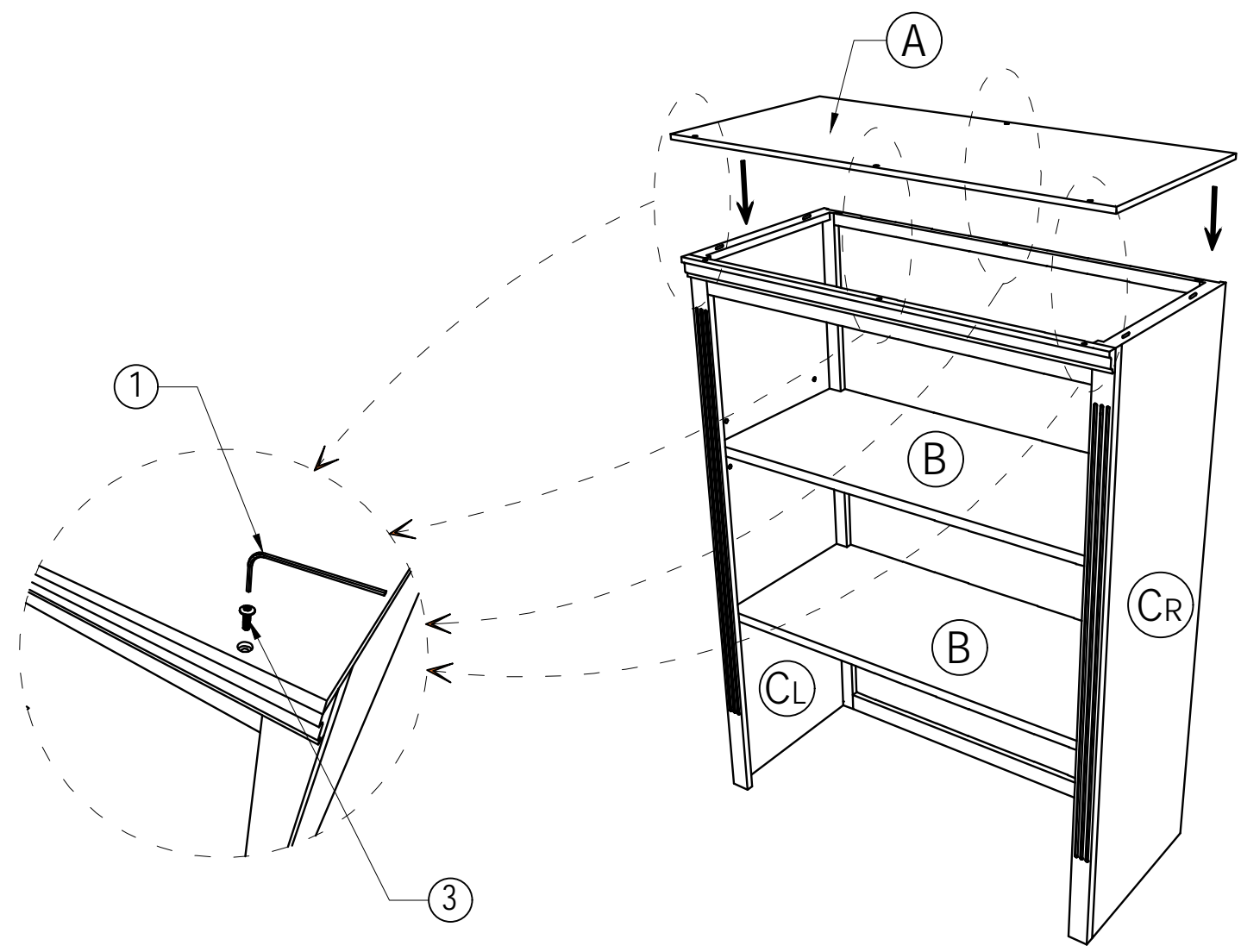


1 pc

3



6x30mm
4 pcs



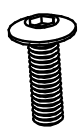
STEP 5

1



1 pc

3

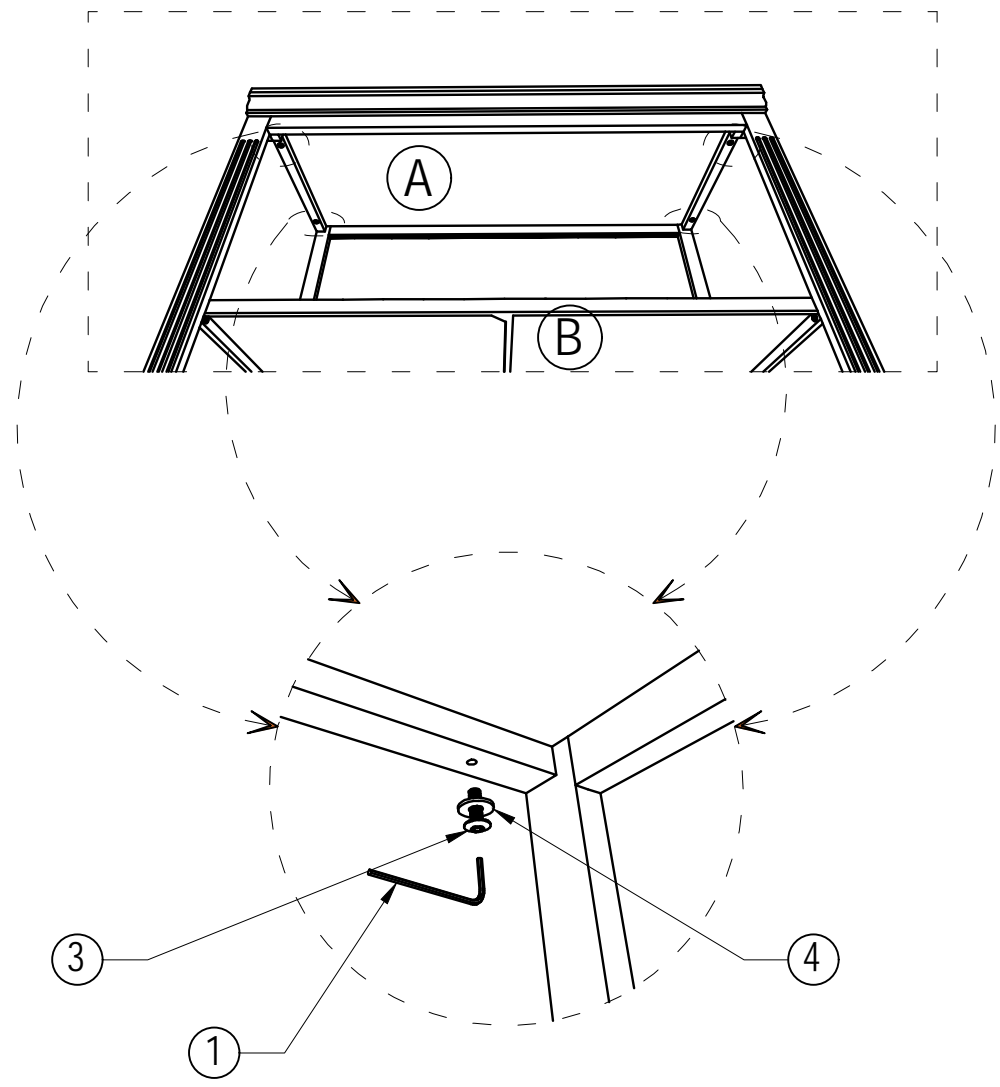


6x30mm
4 pcs

4



6x16mm
4 pcs



STEP 6

8

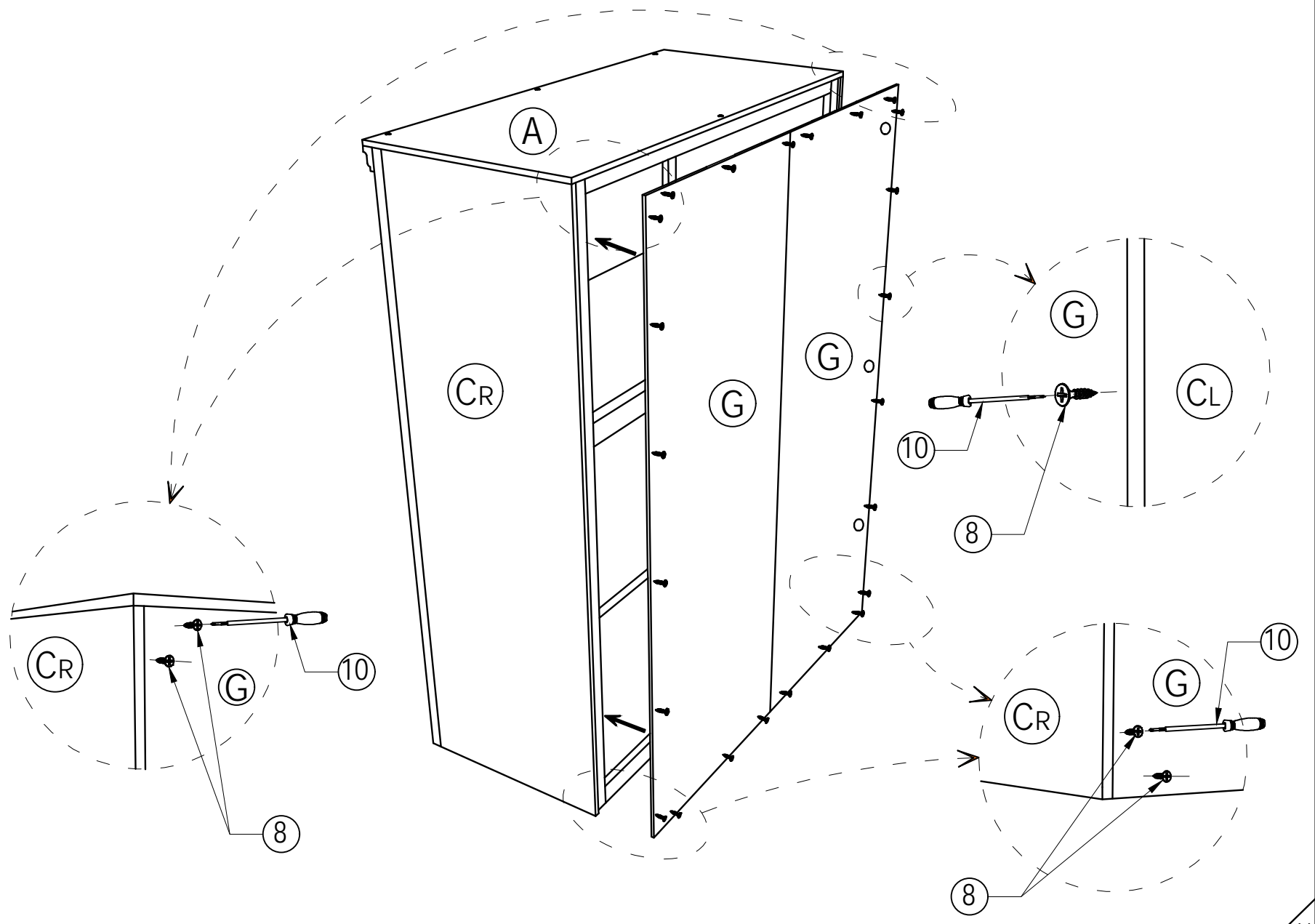


3x15mm
24 pcs

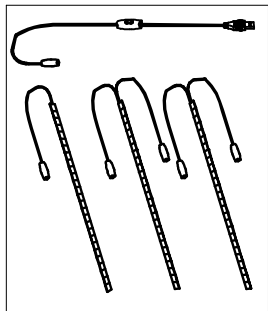
10



1 pc



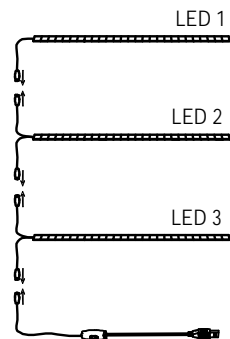
15



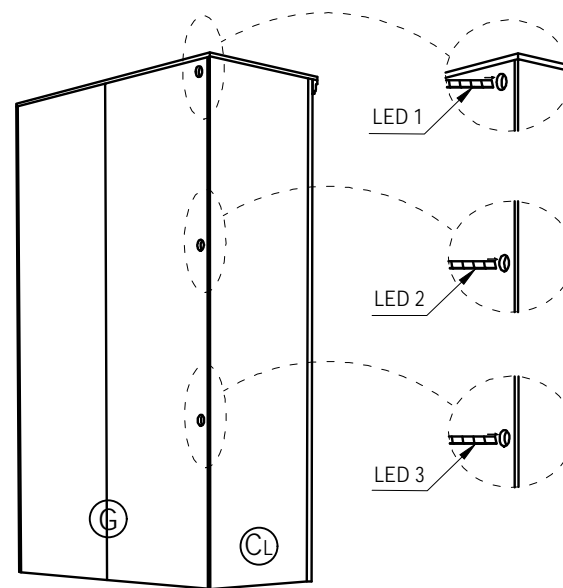
LED Light strip
1 pc

STEP 7

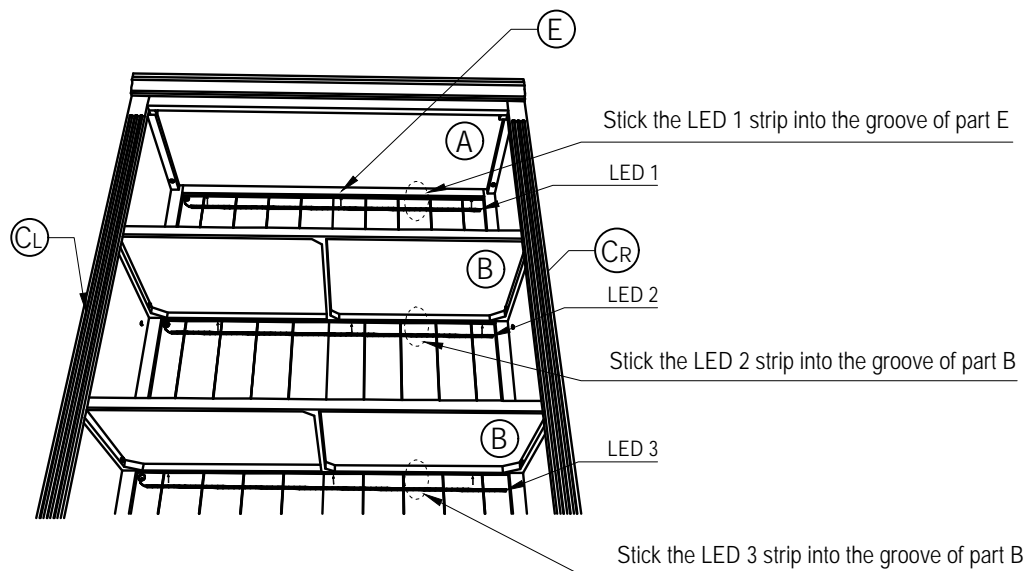
7.1. Connect LED strips together



7.2. Insert the LED strips into the holes

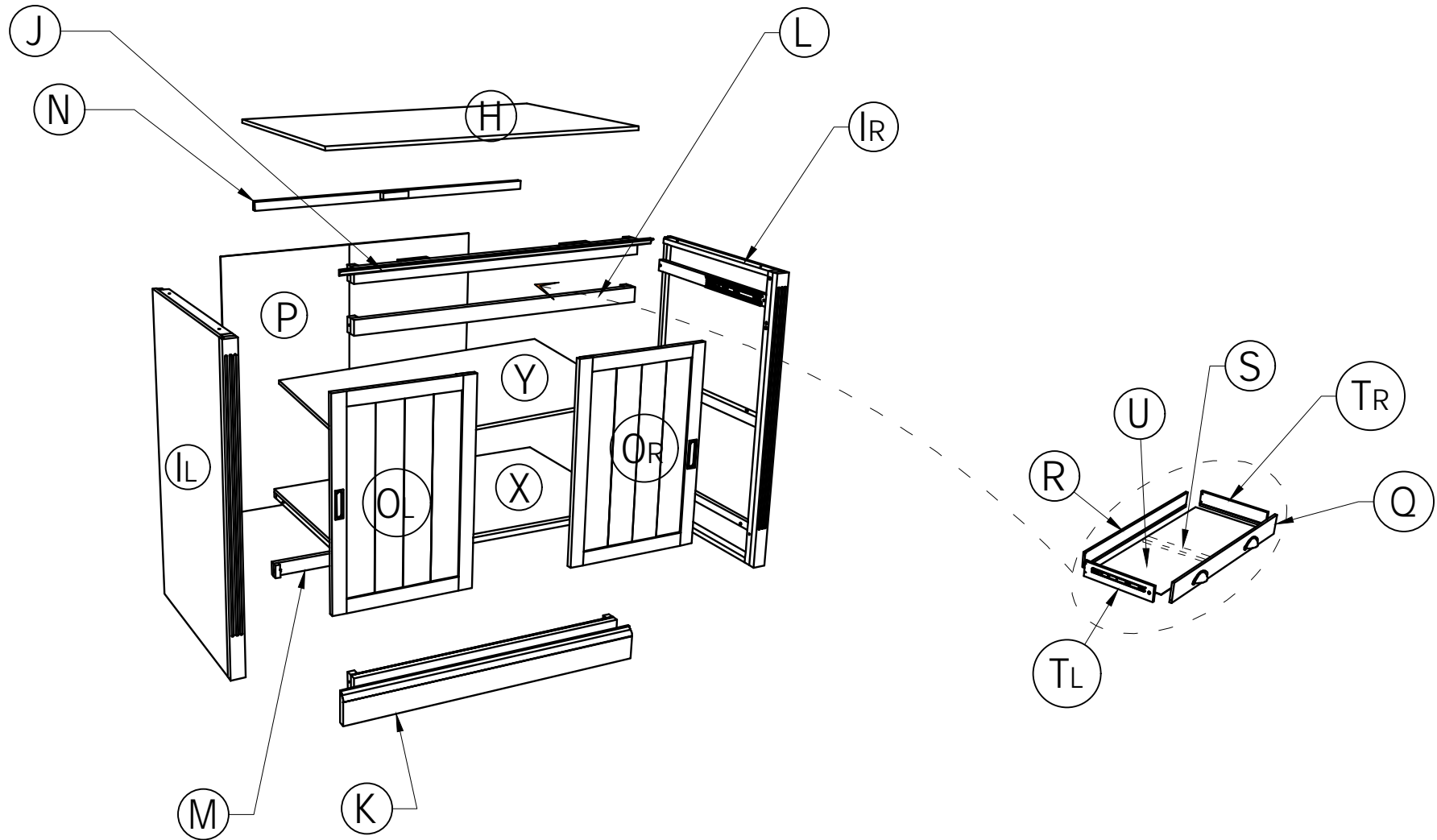


7.3.



COMPONENTS - KEY DIAGRAM

N751P379858 (N751P280596)



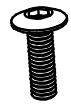
STEP 8

①



1 pc

③



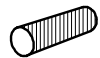
6x30mm
3 pcs

④

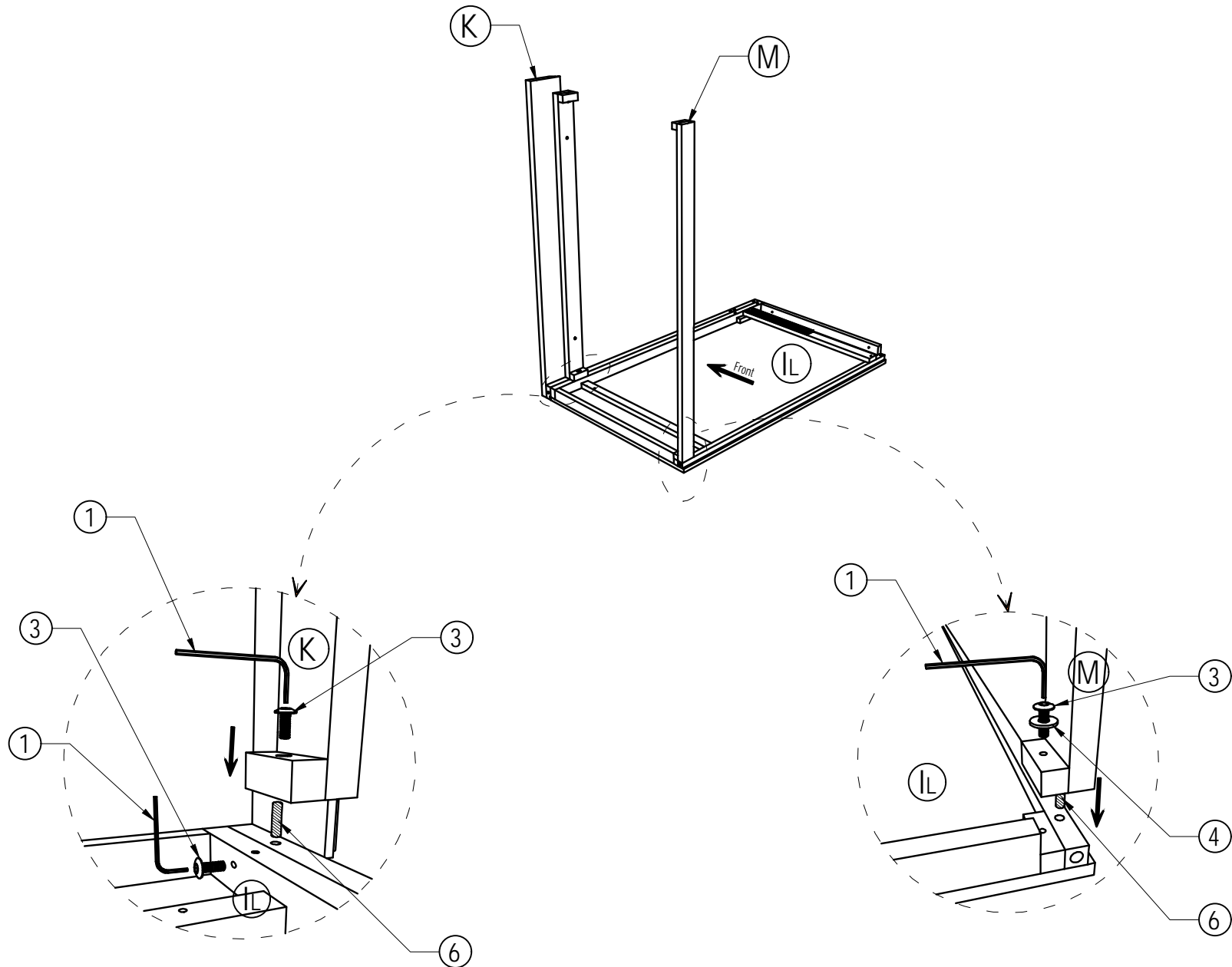


6x16mm
1 pc

⑥



8x30mm
2 pcs



STEP 9

①



1 pc

③



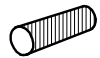
6x30mm
2 pcs

④



6x16mm
2 pcs

⑥



8x30mm
4 pcs

⑦

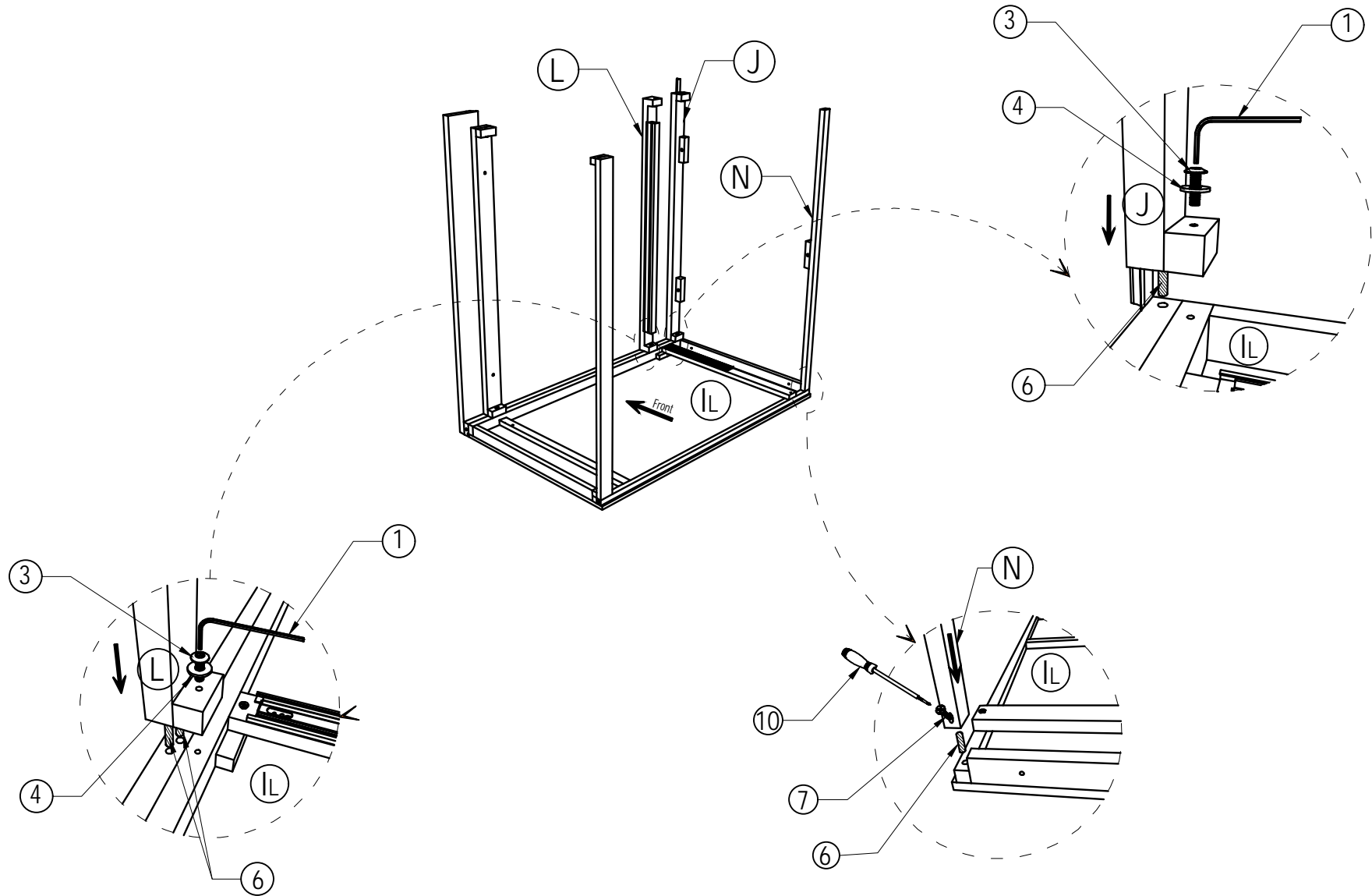


4x30mm
1 pc


⑩





1 pc

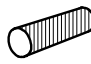


STEP 10

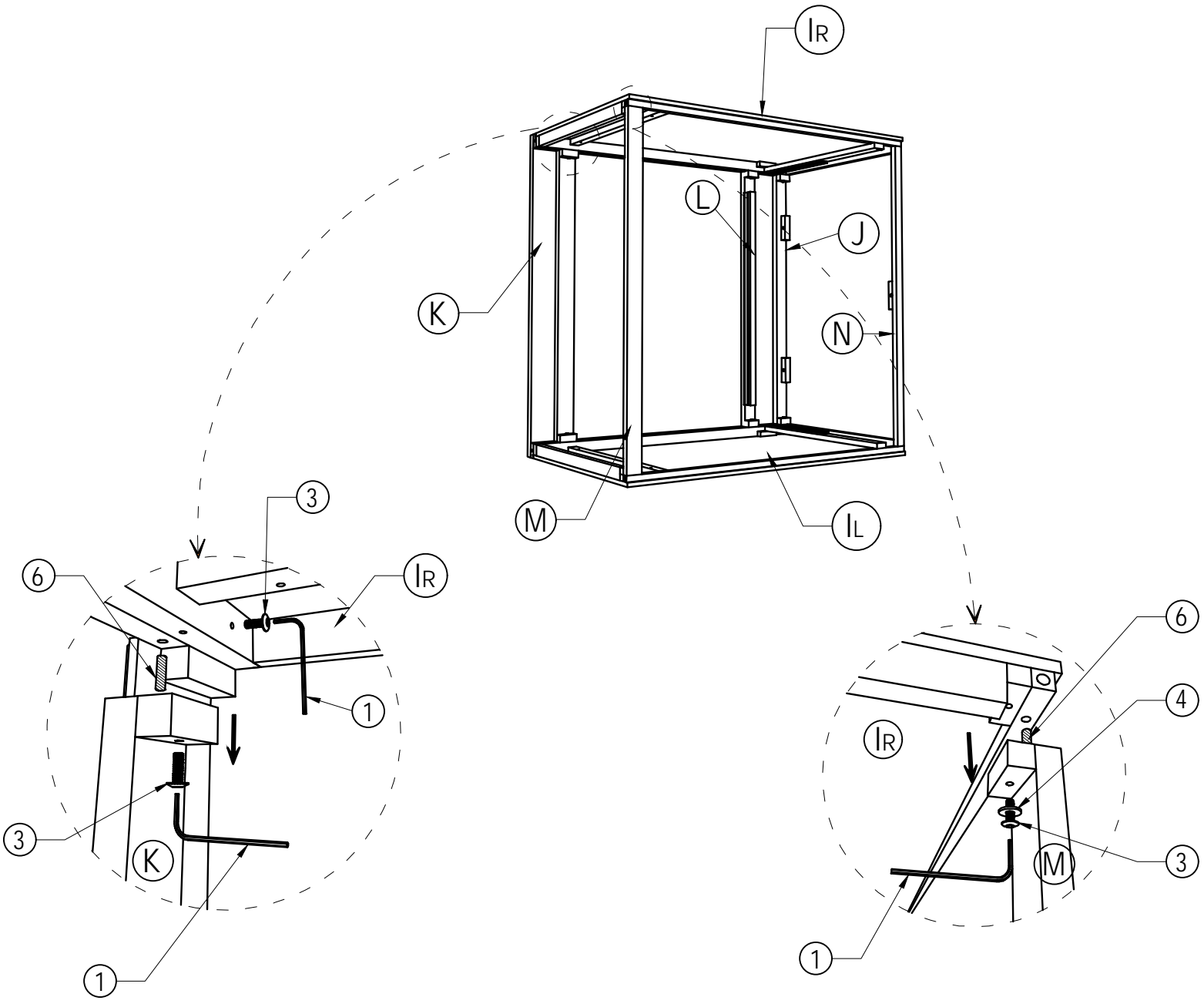
- 

1 pc
- 




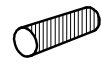


6x30mm
3 pcs
- 

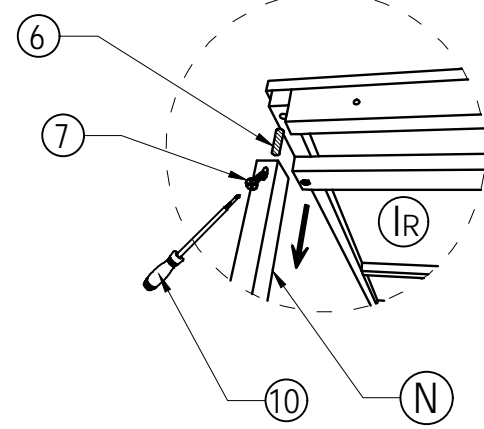
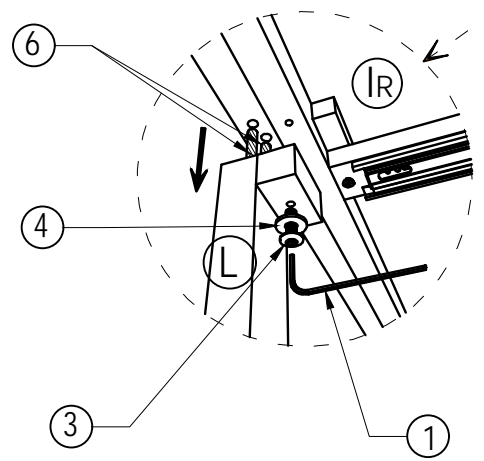
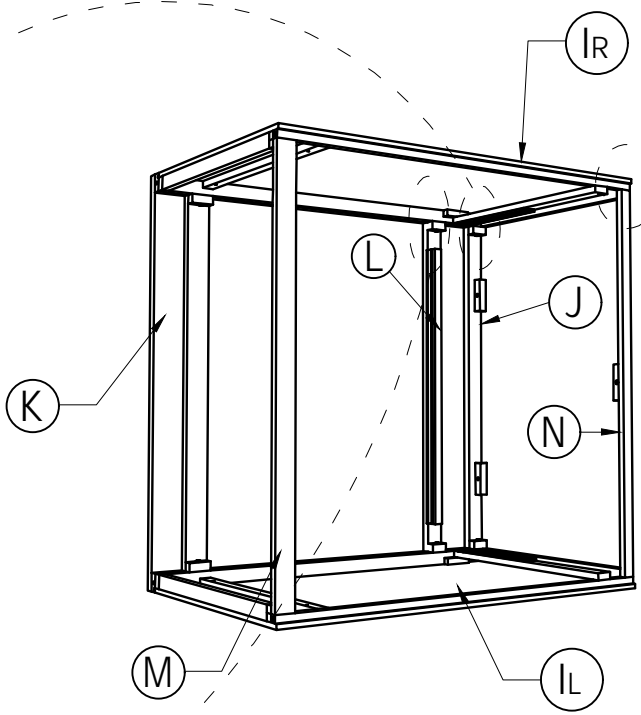
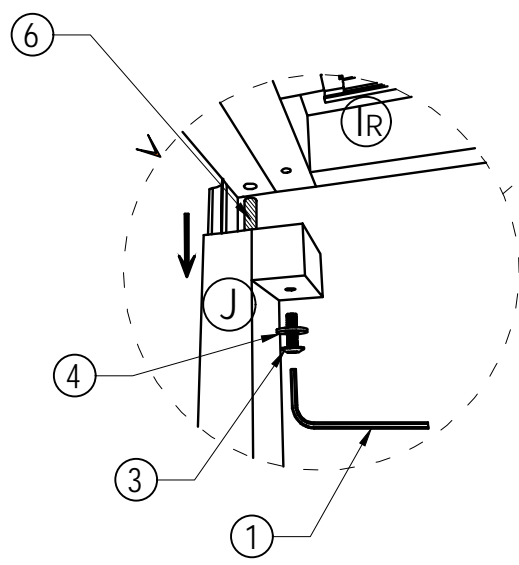
6x16mm
1 pc
- 

8x30mm
2 pcs






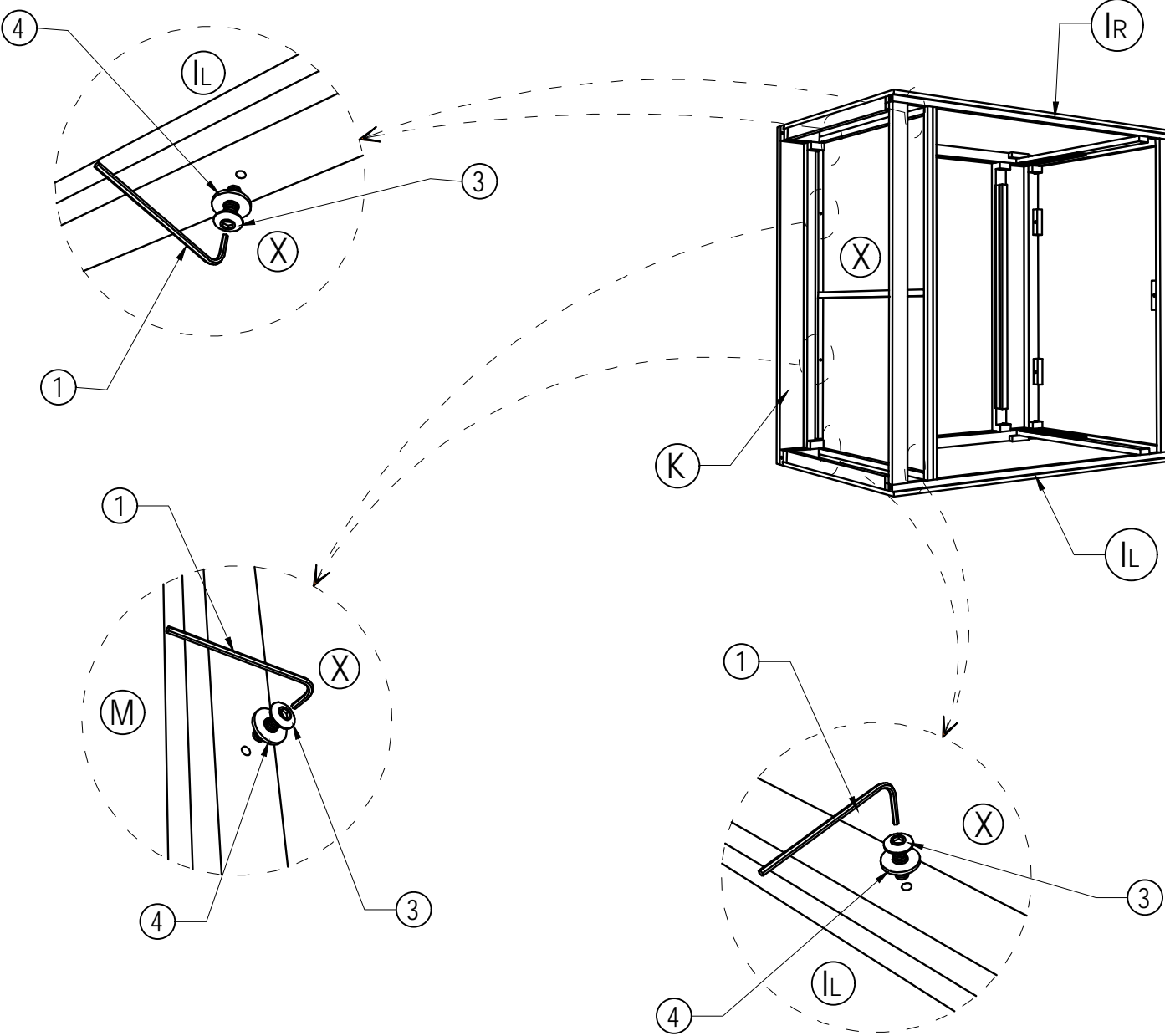
STEP 11

- ①

1 pc
- ③

6x30mm
2 pcs
- ④

6x16mm
2 pcs
- ⑥

8x30mm
4 pcs
- ⑦

4x30mm
1 pc
- ⑩

1 pc

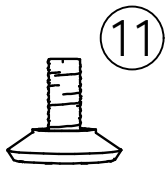


STEP 12

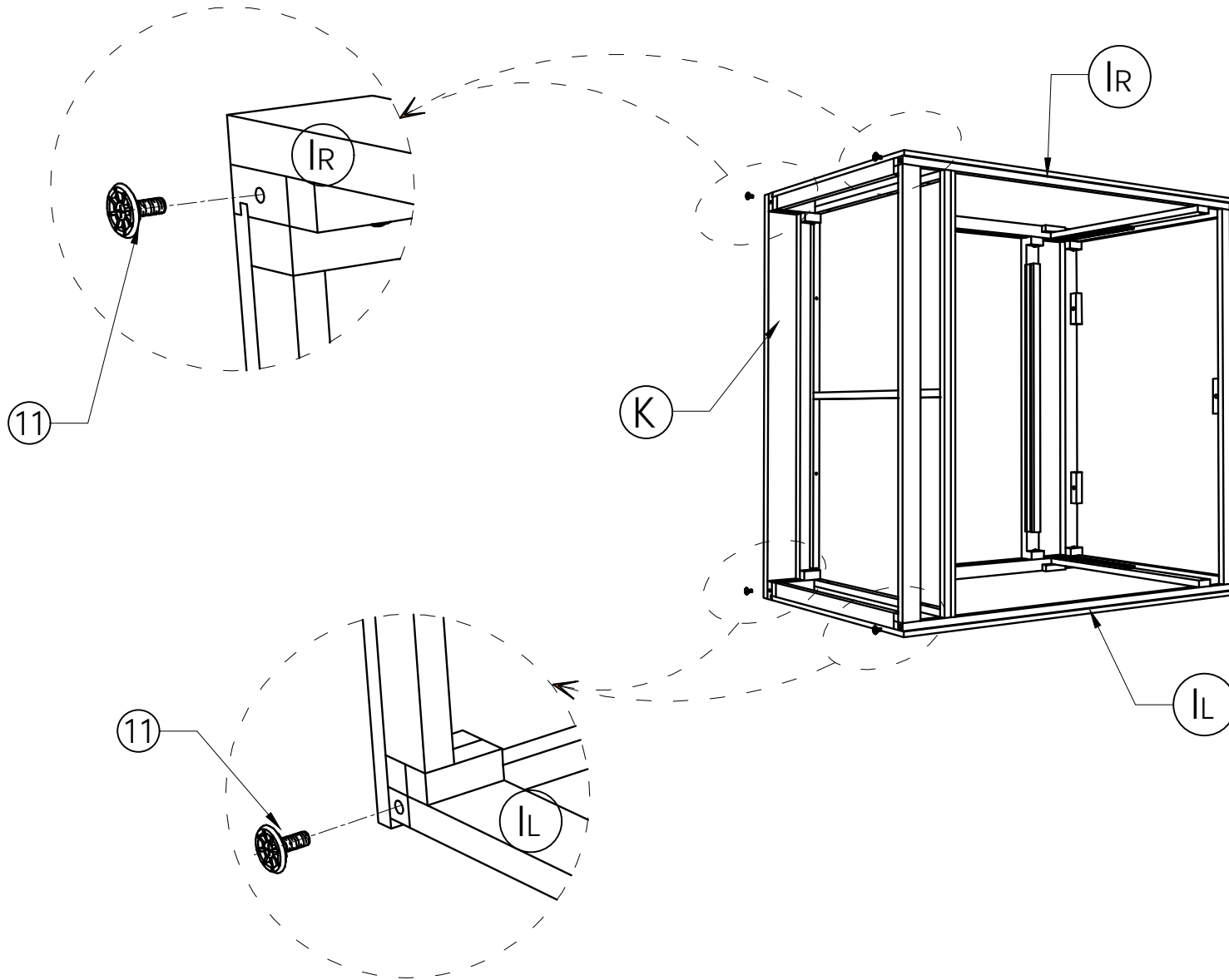
- ①  1 pc
- ③  6x30mm
6 pcs
- ④  6x16mm
6 pcs



STEP 13



15x20mm
4 pcs



STEP 14

1



1 pc

3

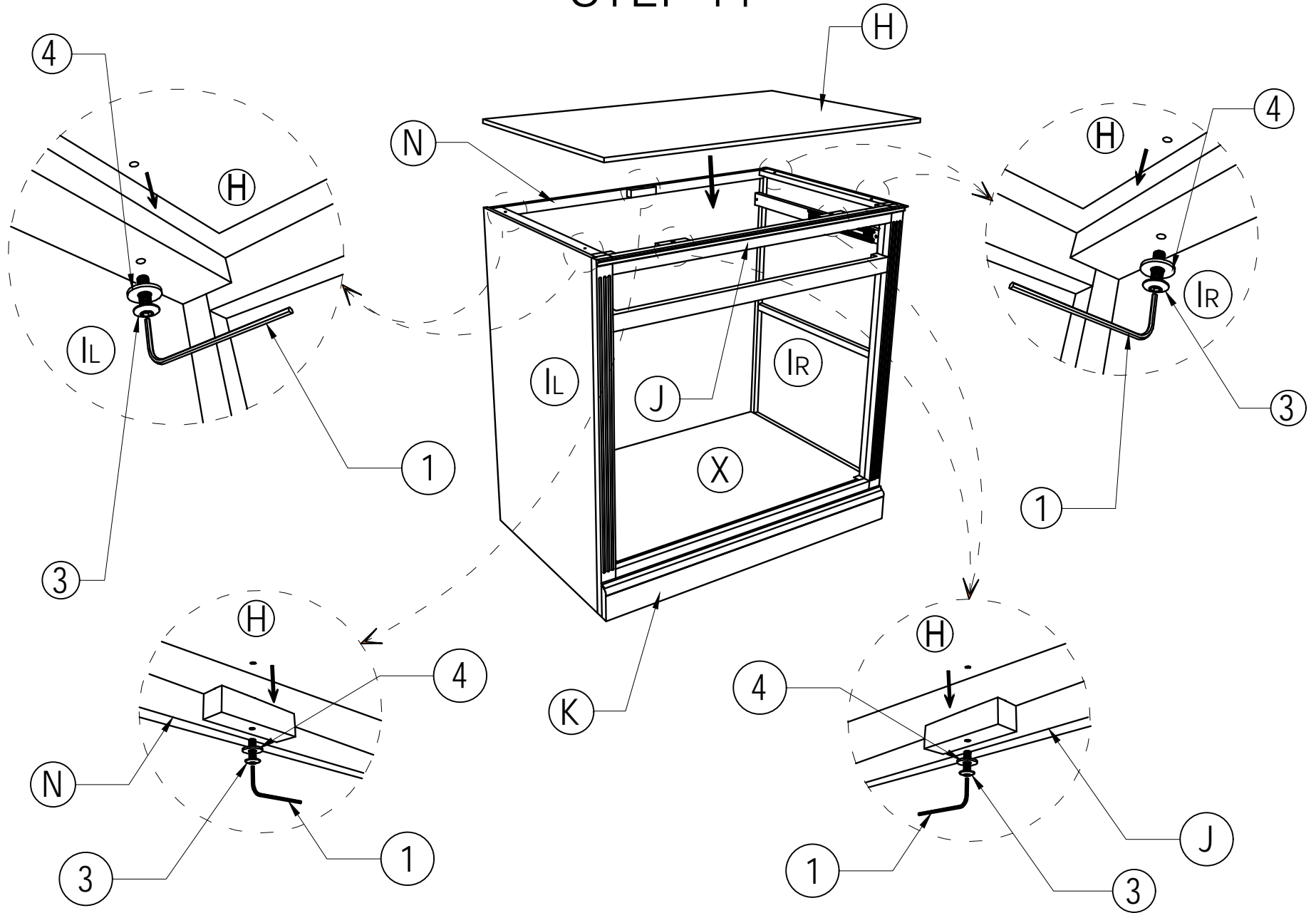


6x30mm
7 pcs

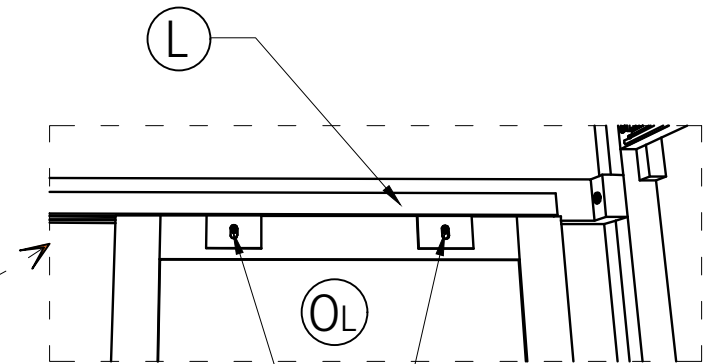
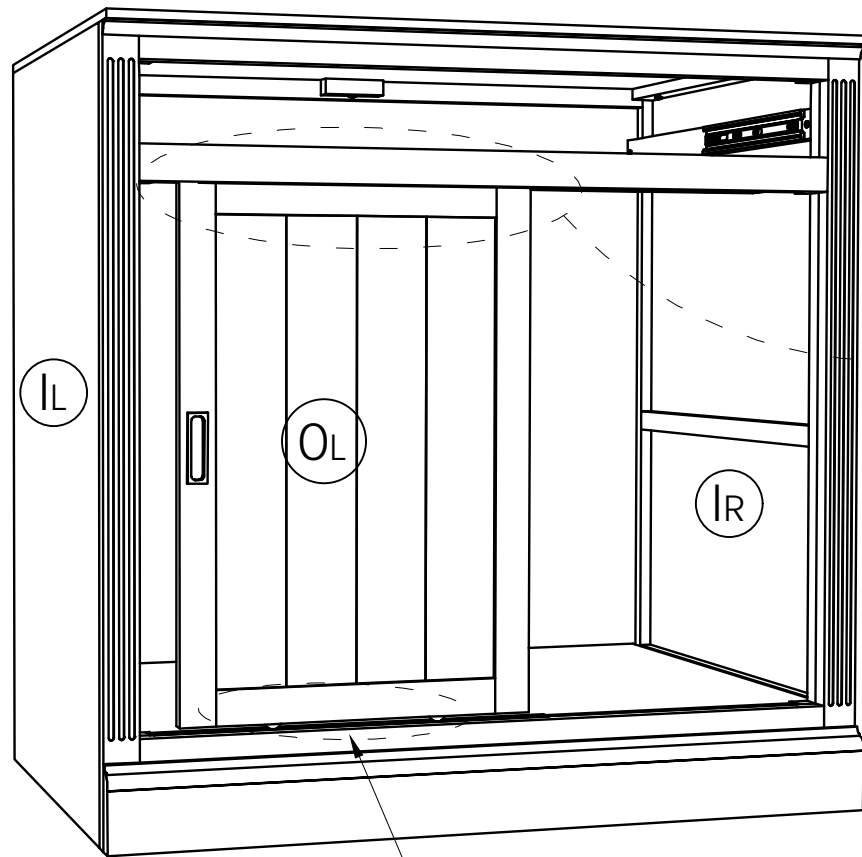
4



6x16mm
7 pcs



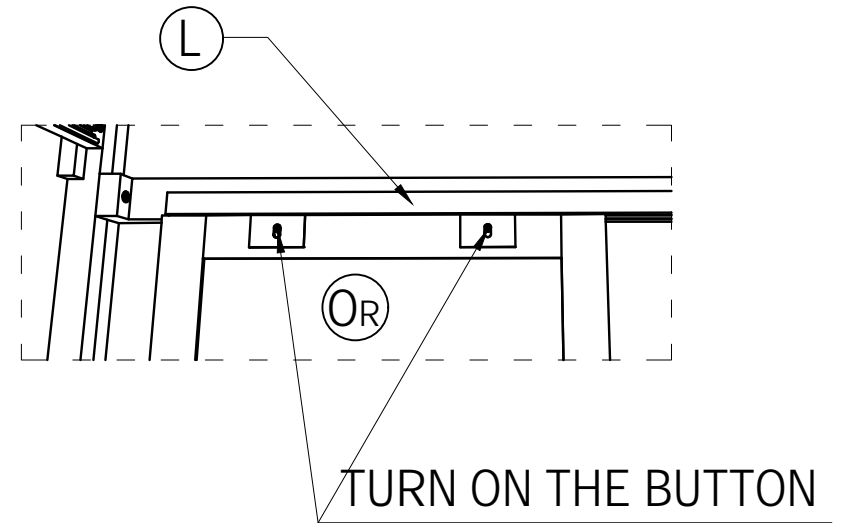
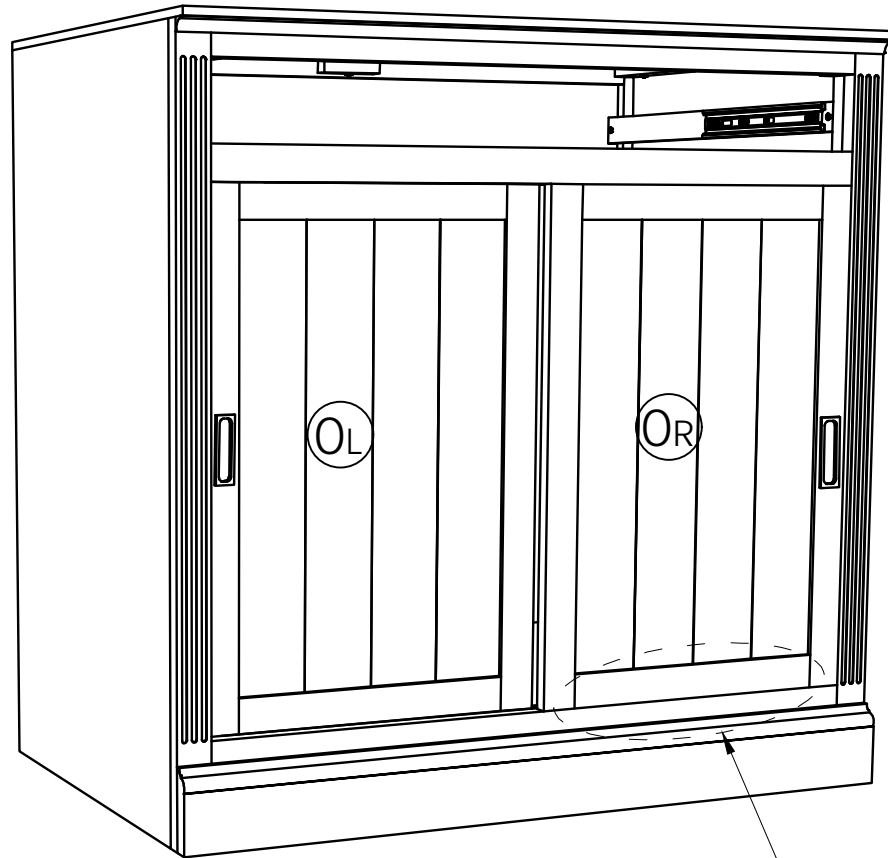
STEP 15



TURN ON THE BUTTON

PLACED ON THE INSIDE RAIL

STEP 16



PLACED ON THE OUTSIDE RAIL

STEP 17



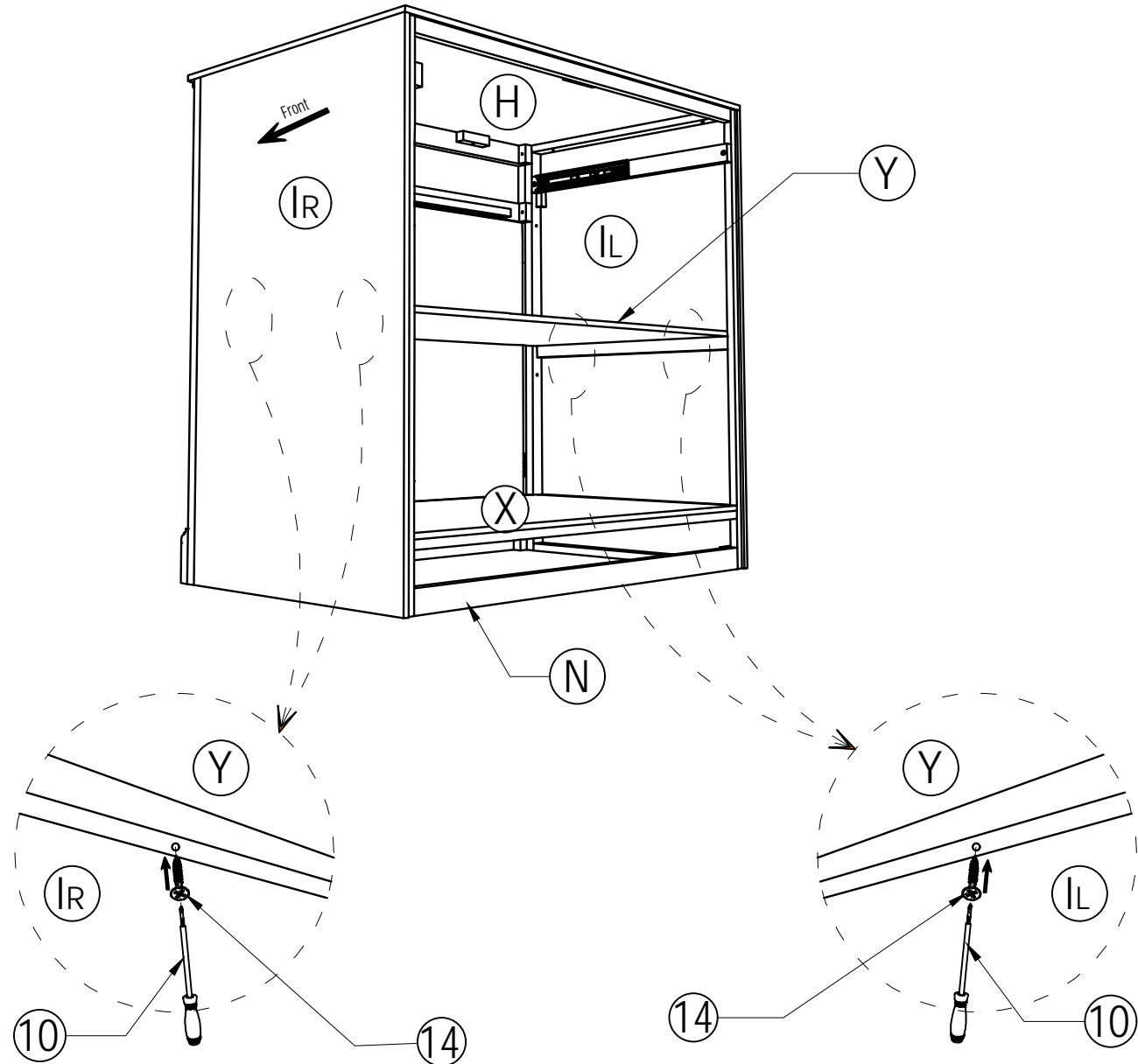
14

4x25mm
4 pcs

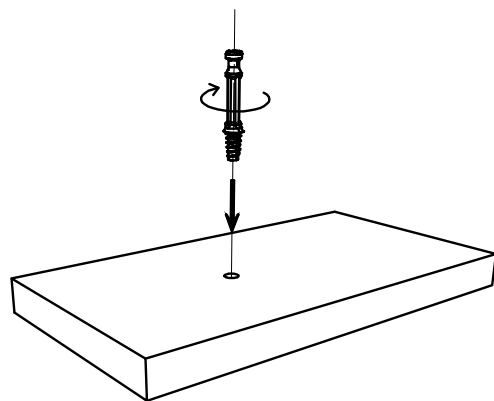


10

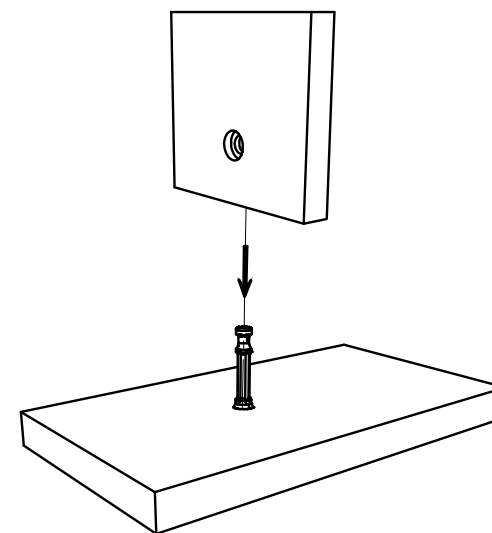
1 pc



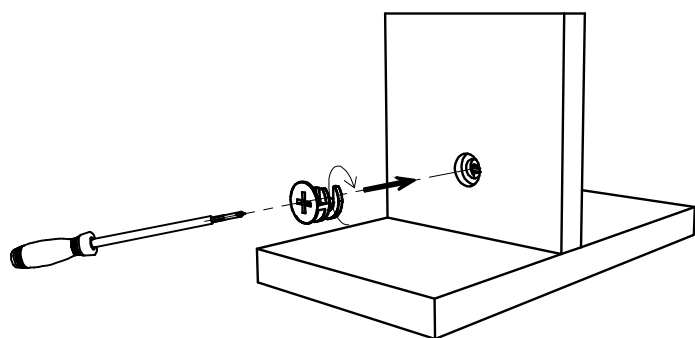
Typical way to install cam screws



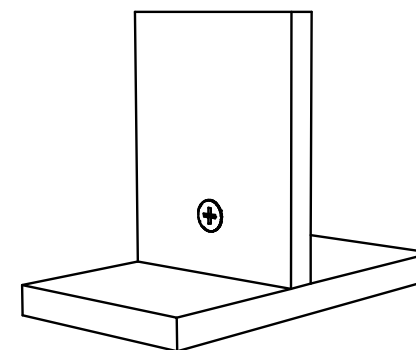
1



2



3



4. Done

STEP 18

2

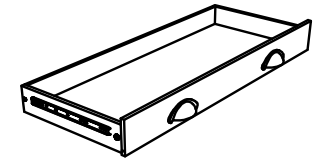


3 pcs

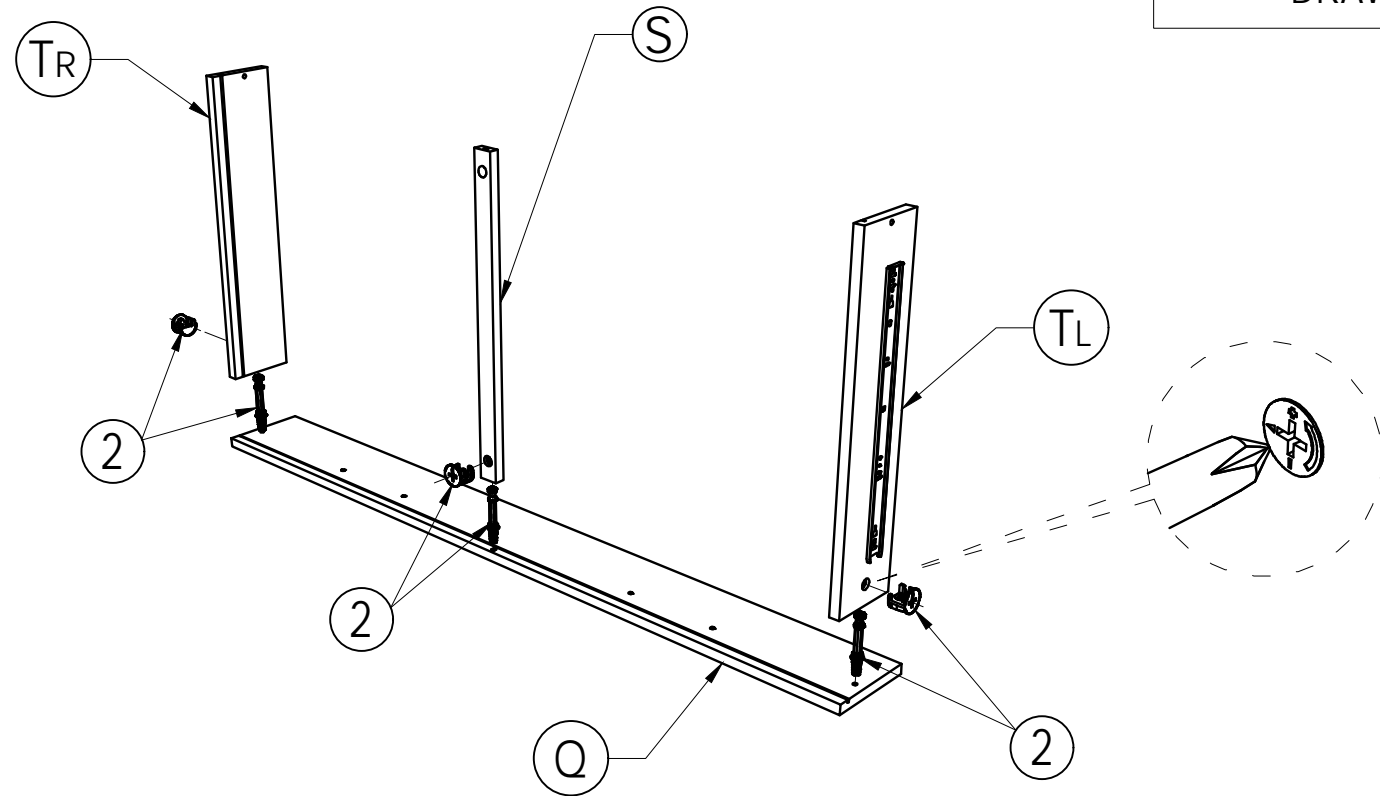
10



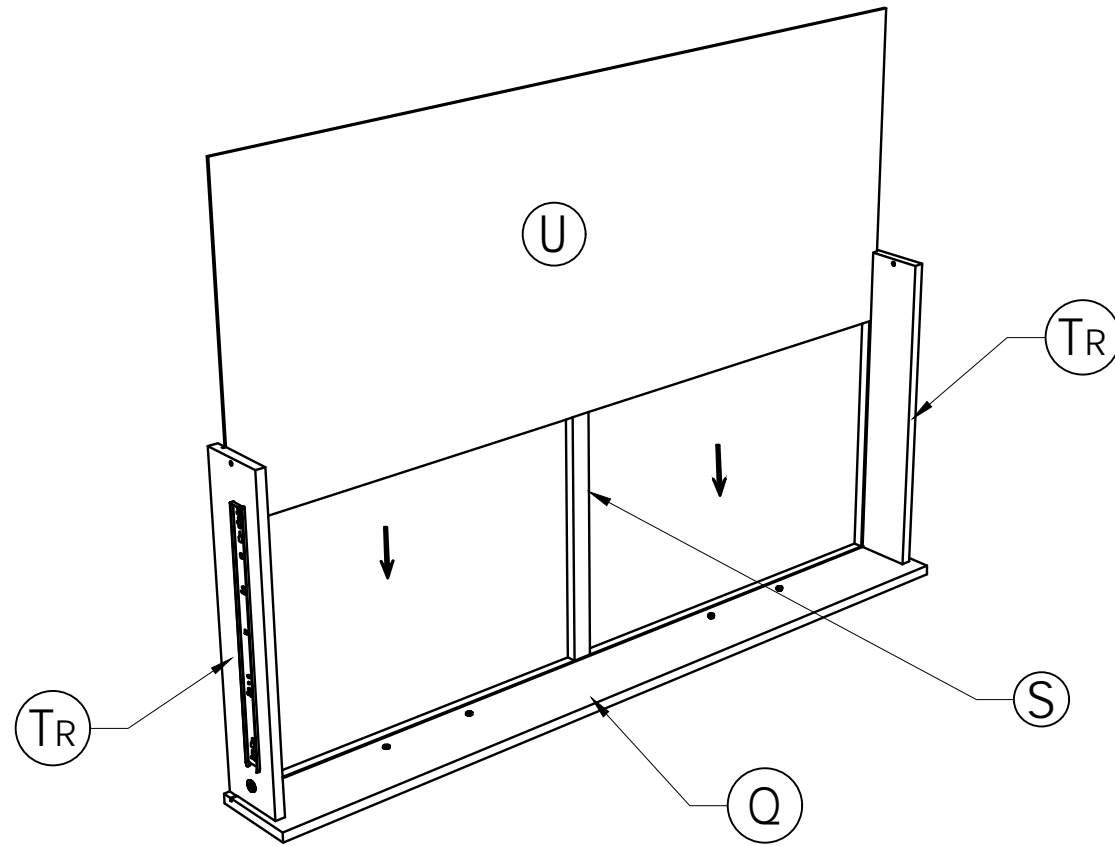
1 pc



DRAWER



STEP 19



STEP 20

2



1 pc

7

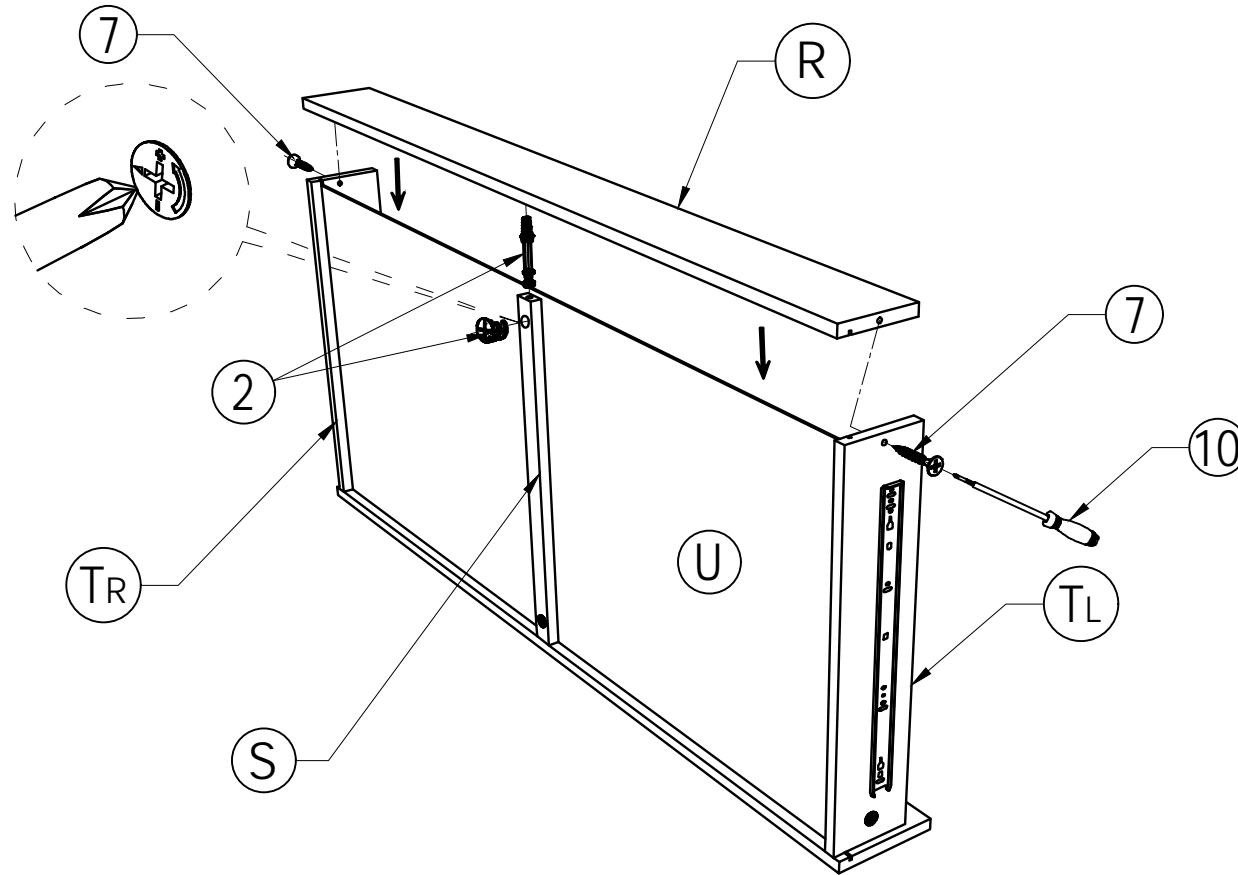


4x30mm
2 pcs

10



1 pc



5



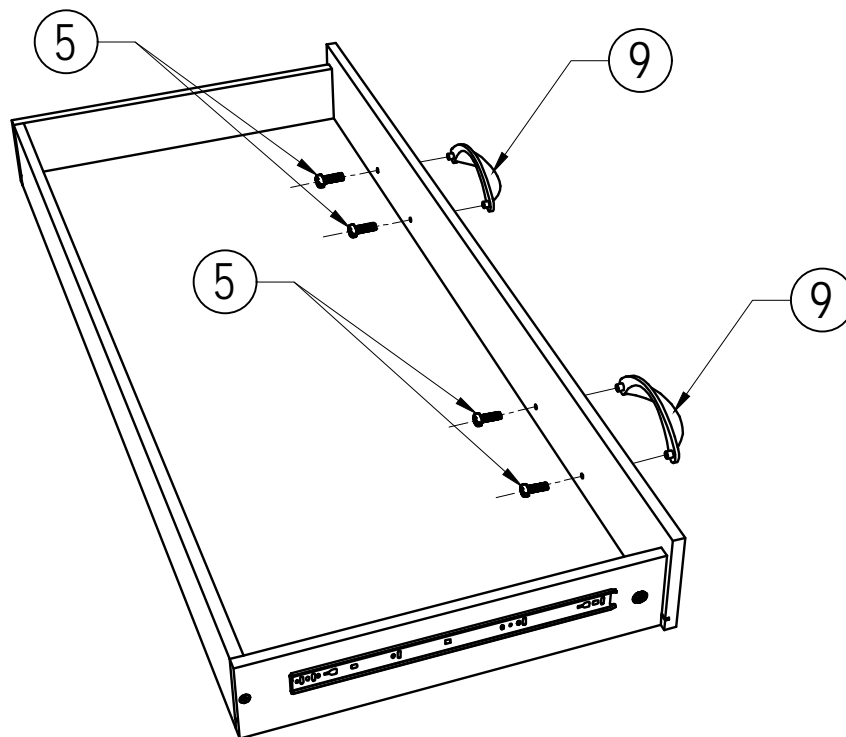
5x15mm
4 pcs

9

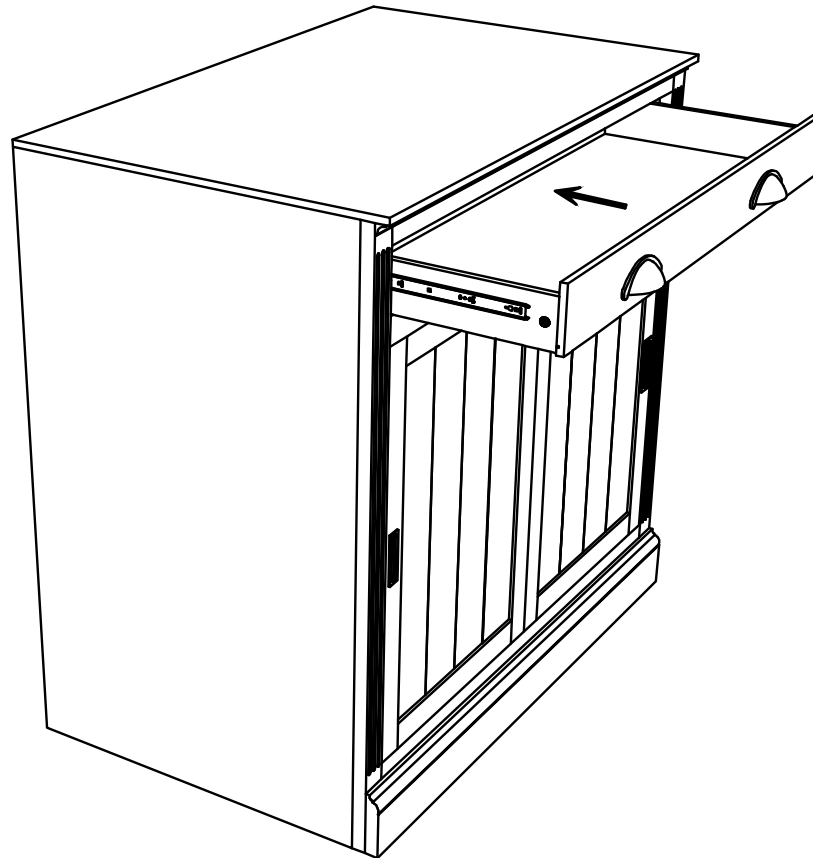


2 pcs

STEP 21



STEP 22



STEP 23

8

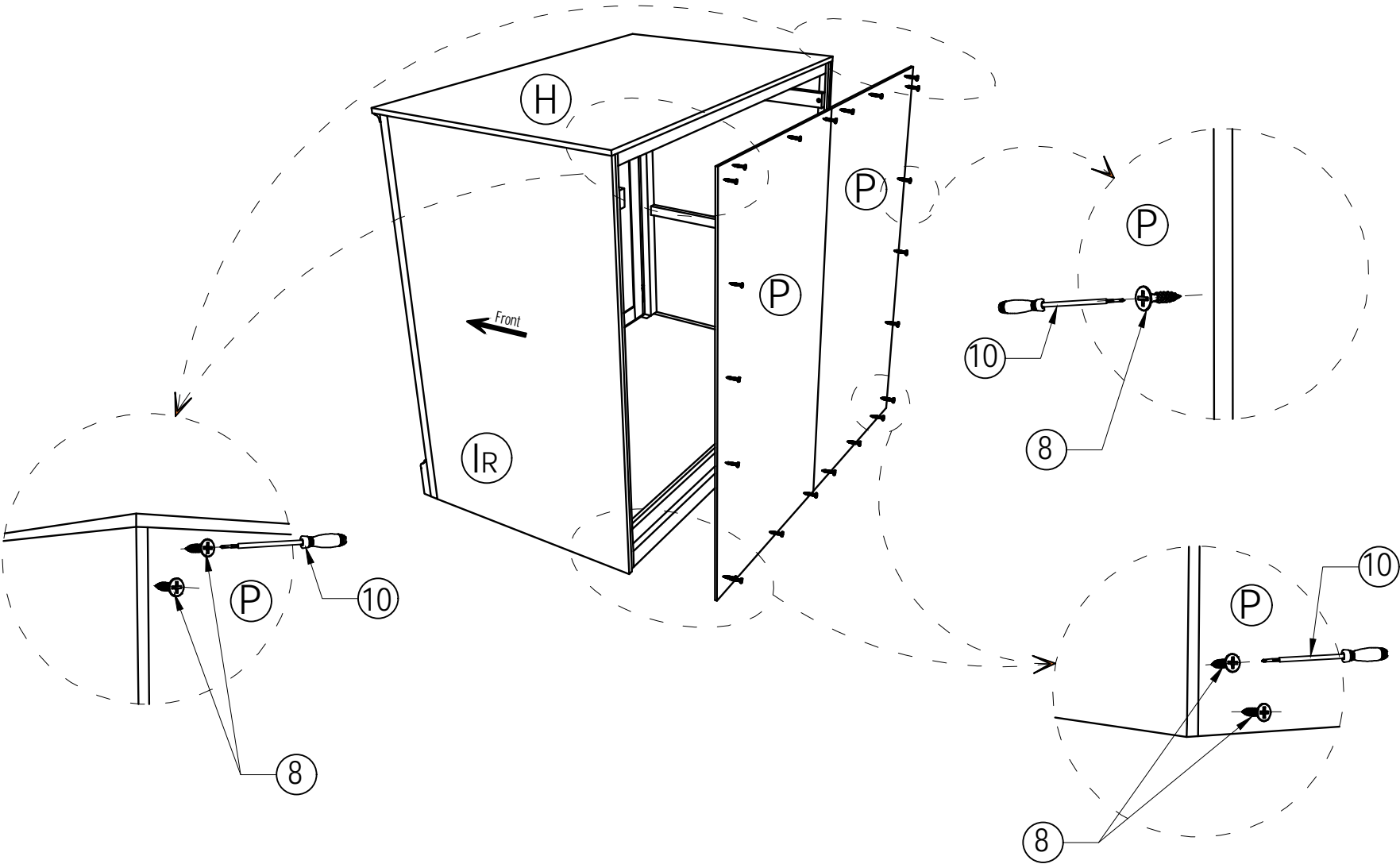


3x15mm
22 pcs

10



1 pc



STEP 24

12



20x80mm
2 pcs

13

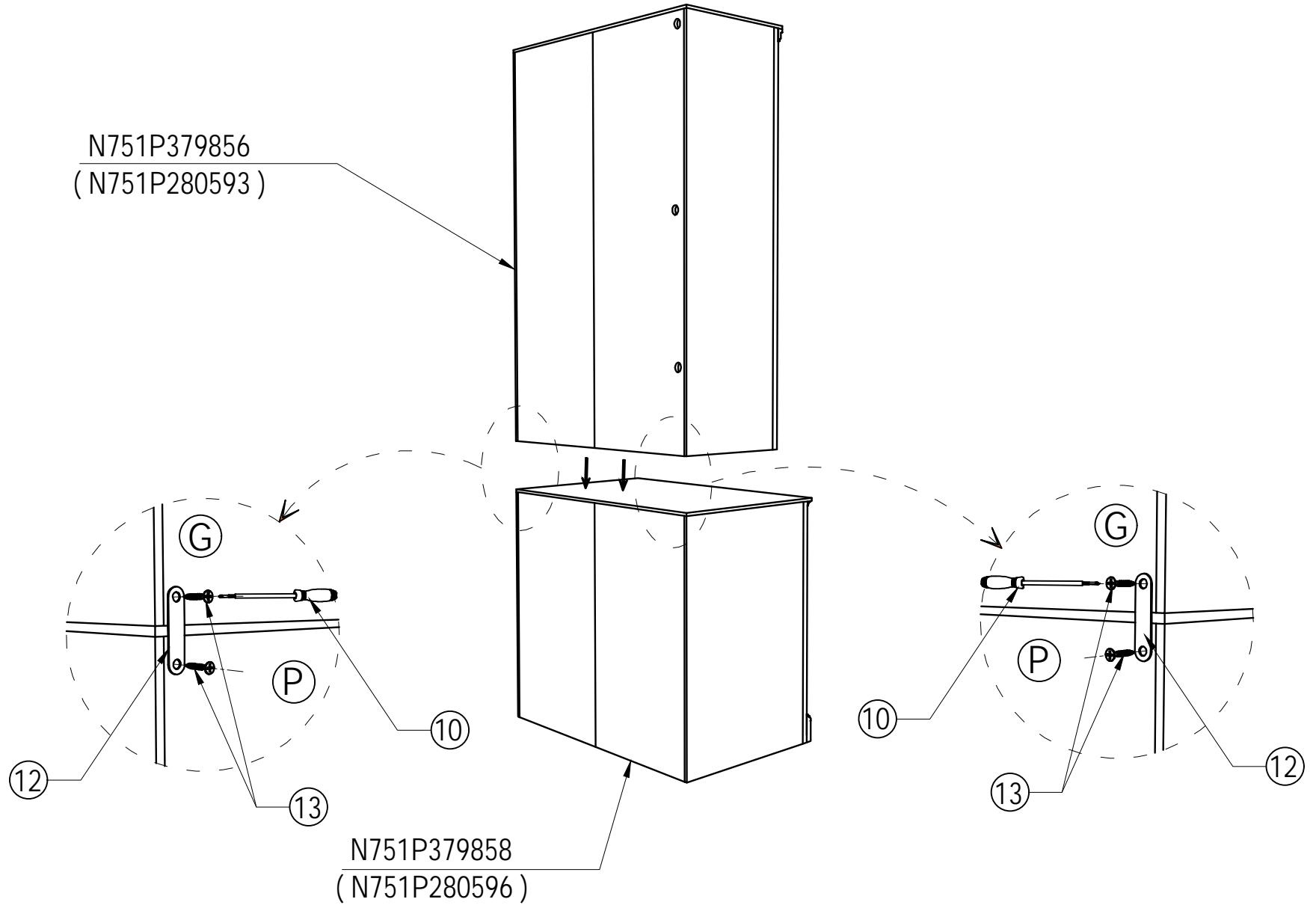


4x20mm
4 pcs

10

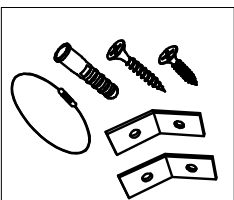


1 pc



16

STEP 25



2 SET

