

ASSEMBLY INSTRUCTIONS

CORNER TV UNIT

IMPORTANT

READ THESE INSTRUCTIONS CAREFULLY BEFORE ASSEMBLING OR USING YOUR CORNER TV UNIT.

PLEASE KEEP THESE INSTRUCTIONS FOR FUTURE REFERENCE.

HEALTH & SAFETY:

DO NOT use this item if any parts are missing, damaged or worn.

DO NOT use this item unless all fixings are secured.

Please keep small parts out of reach of children.

Always use on a level, even surface.

It is recommended that two people handle and assemble the item.

CARE & MAINTENANCE:

Assemble in the room of use.

To avoid damages assemble the item on a soft, clean surface

Periodically check all screws & fixings to ensure they are secure.

DO NOT push the item as this will damage the base.

Always lift the item with two people to reposition.

Keep any sharp objects away from the item.

This product is manufactured in pine which is a wood with natural characteristics including knots, grains, clusters or indentations.

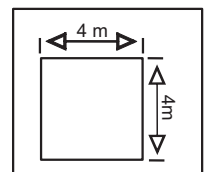
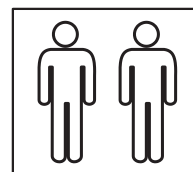
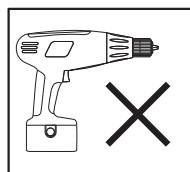
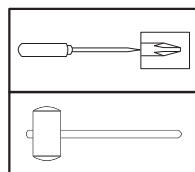
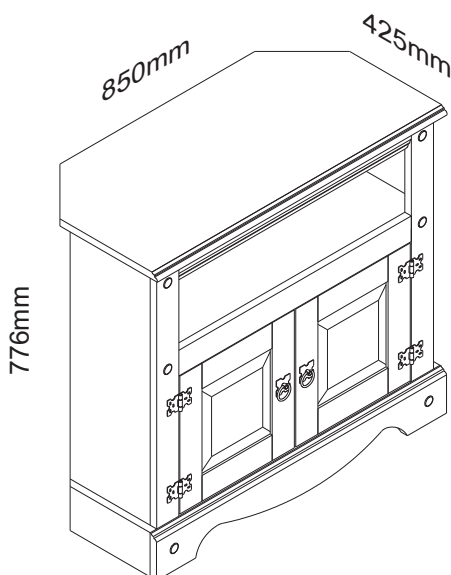
On unpacking the item you may notice an odour due to production processes but this will disappear after a period of time.

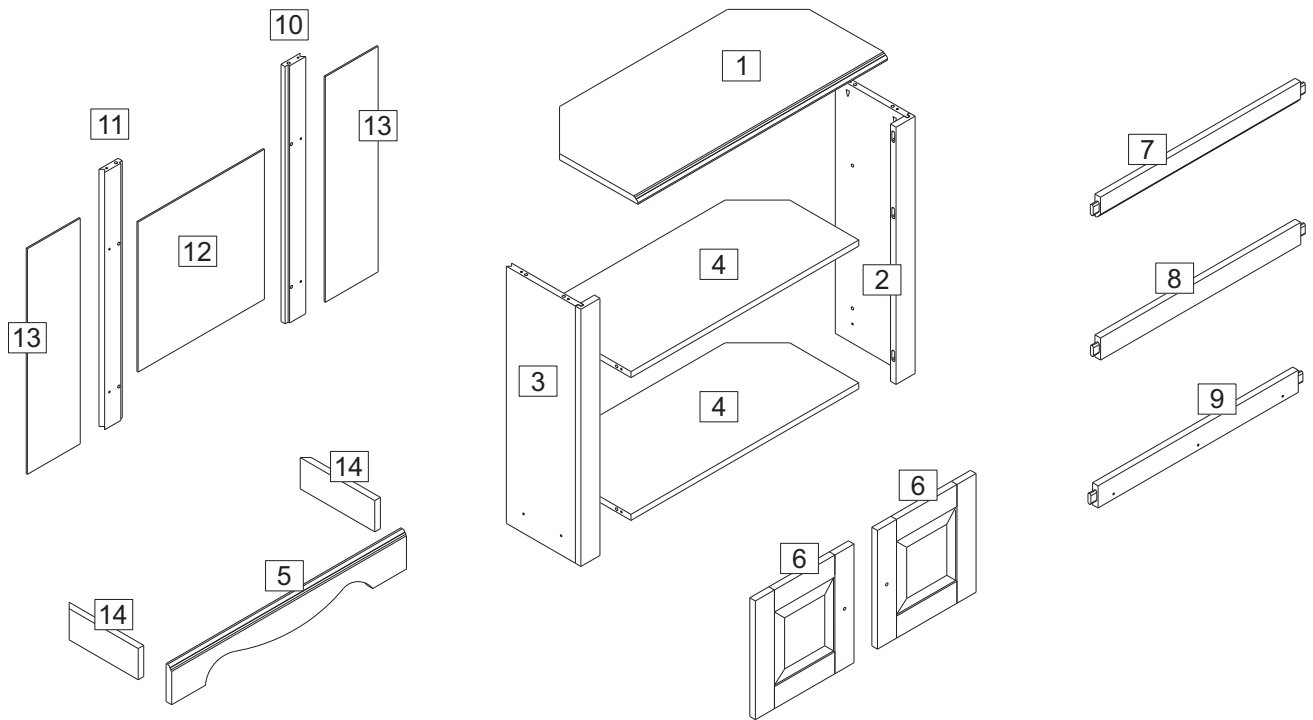
DO NOT place the item next to a radiator or direct sunlight – this item is susceptible to temperature change. It is recommended an even room temperature be maintained with no sudden fluctuations.

DO NOT place hot or cold items directly onto the surface of the item as marking will occur

For general cleaning use a duster or damp cloth (almost dry) not wet – do not use soap and water, detergents, aerosol sprays or any polish as use of these materials would invalidate any claims.

DO NOT place the item onto wet or damp flooring as staining may occur to the floor.



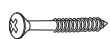
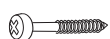
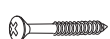


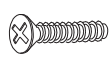



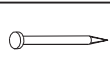




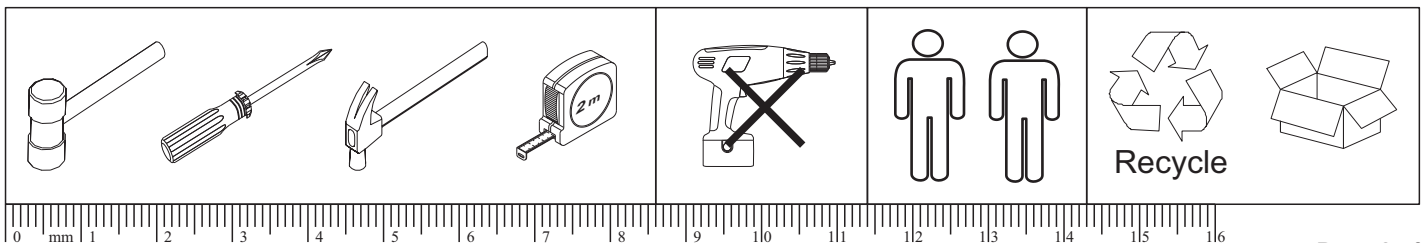
PARTS LIST

Part	Item	Qty
1	Top panel	1
2	Right side panel	1
3	Left side panel	1
4	Base panel	2
5	Front plinth	1
6	Door	2
7	Top front frame	1
8	Middle front frame	1
9	Bottom front frame	1
10	Right back column	1
11	Left back column	1
12	Large back panel	1
13	Small back panel	2
14	Side plinth	2

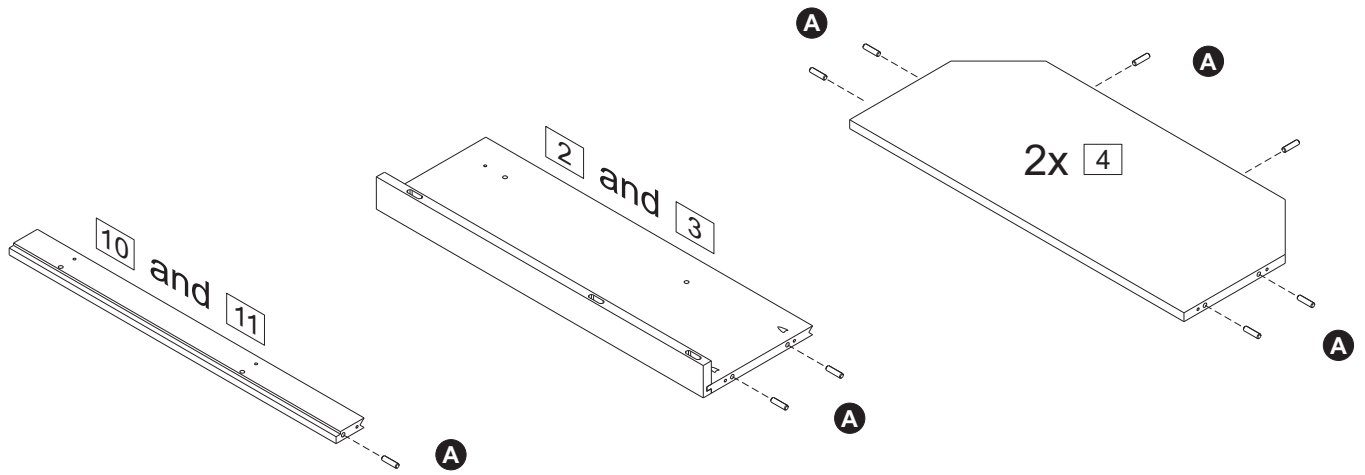
HARDWARE LIST

Part	Item	Qty
A	Wooden dowel 	18
B	14mm Screw 	32
C	30mm Screw 	7
D	35mm Screw 	14
E	40mm Screw 	4
F	Door hinge 	4
G	Door handle 	2
H	19mm Bolt 	2
J	Clip 	2
K	Plug 	2
L	Round metal stud 	6
M	Nail 	30

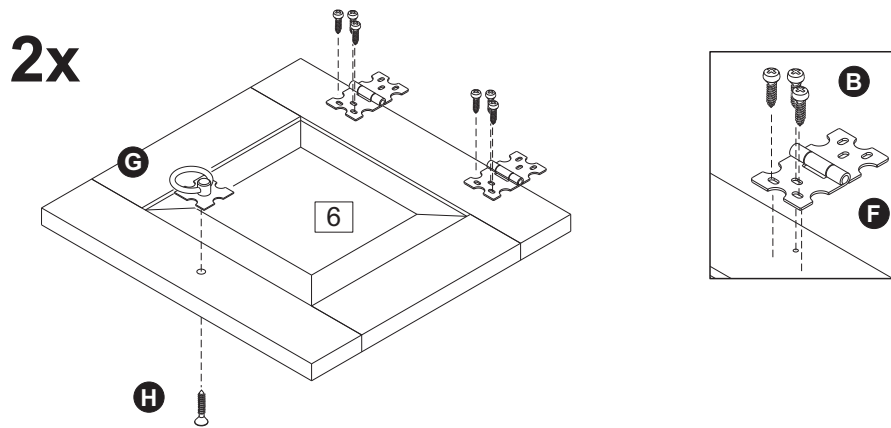
You will need a small mallet and a screwdriver.



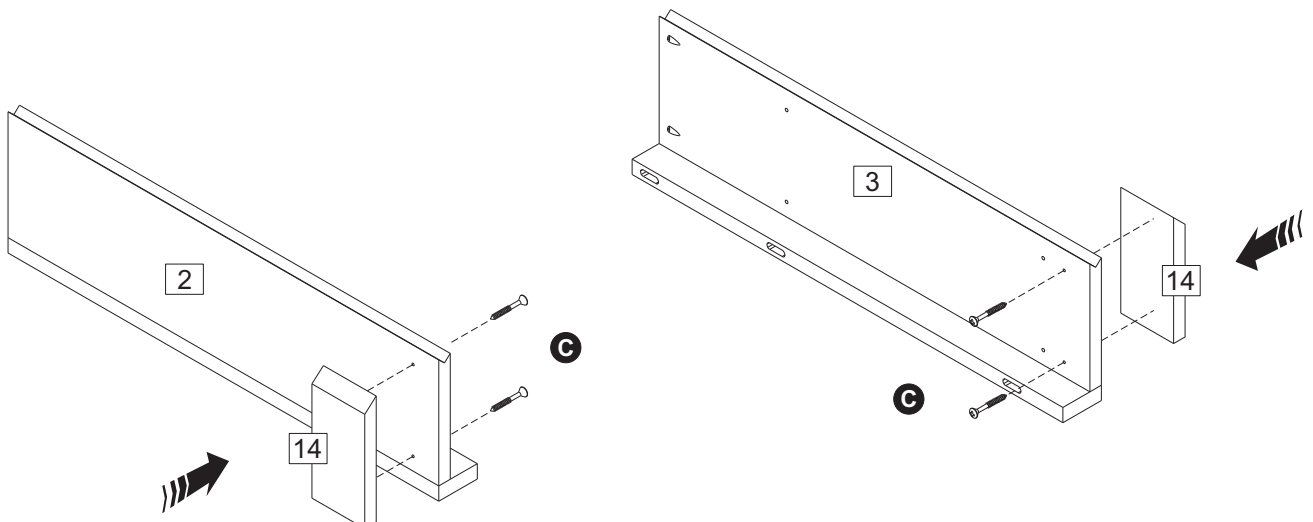
Step 1:



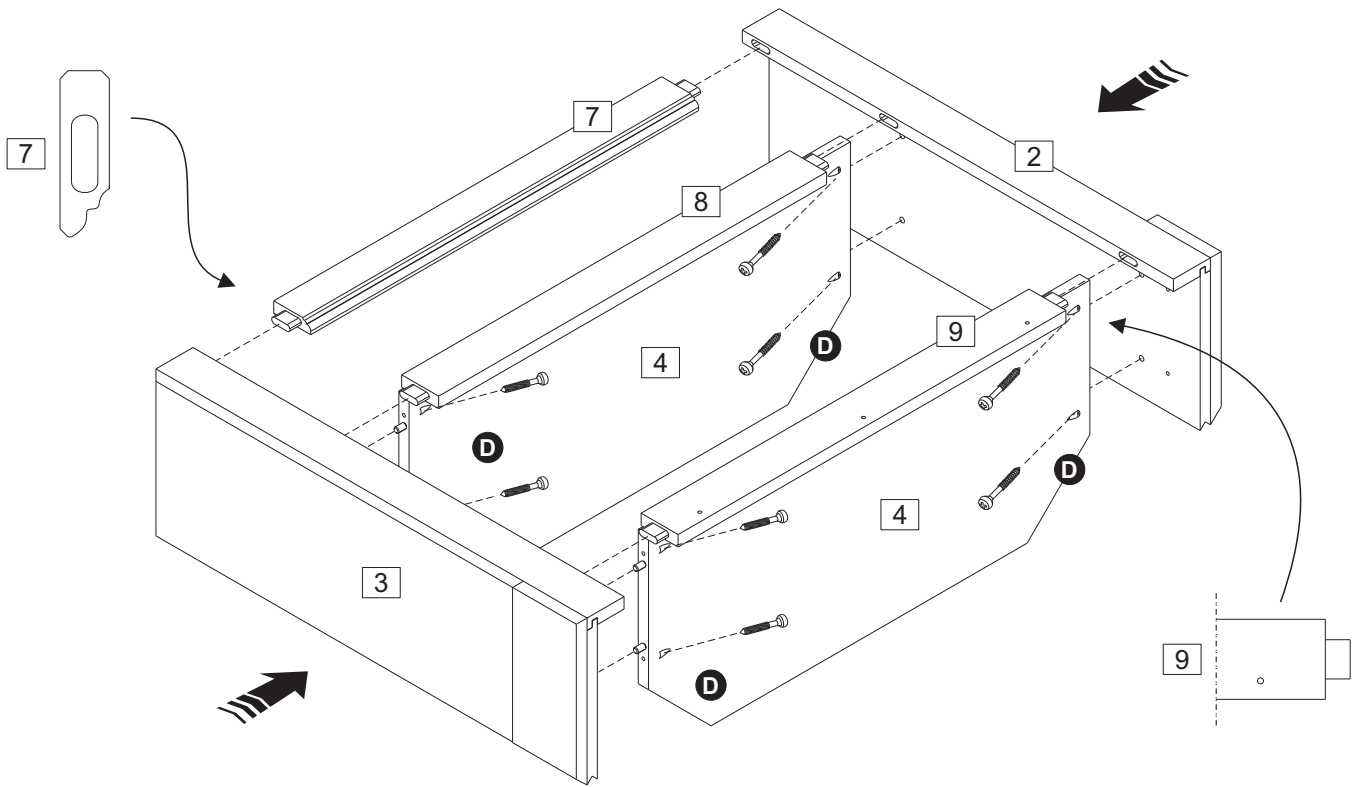
Step 2:



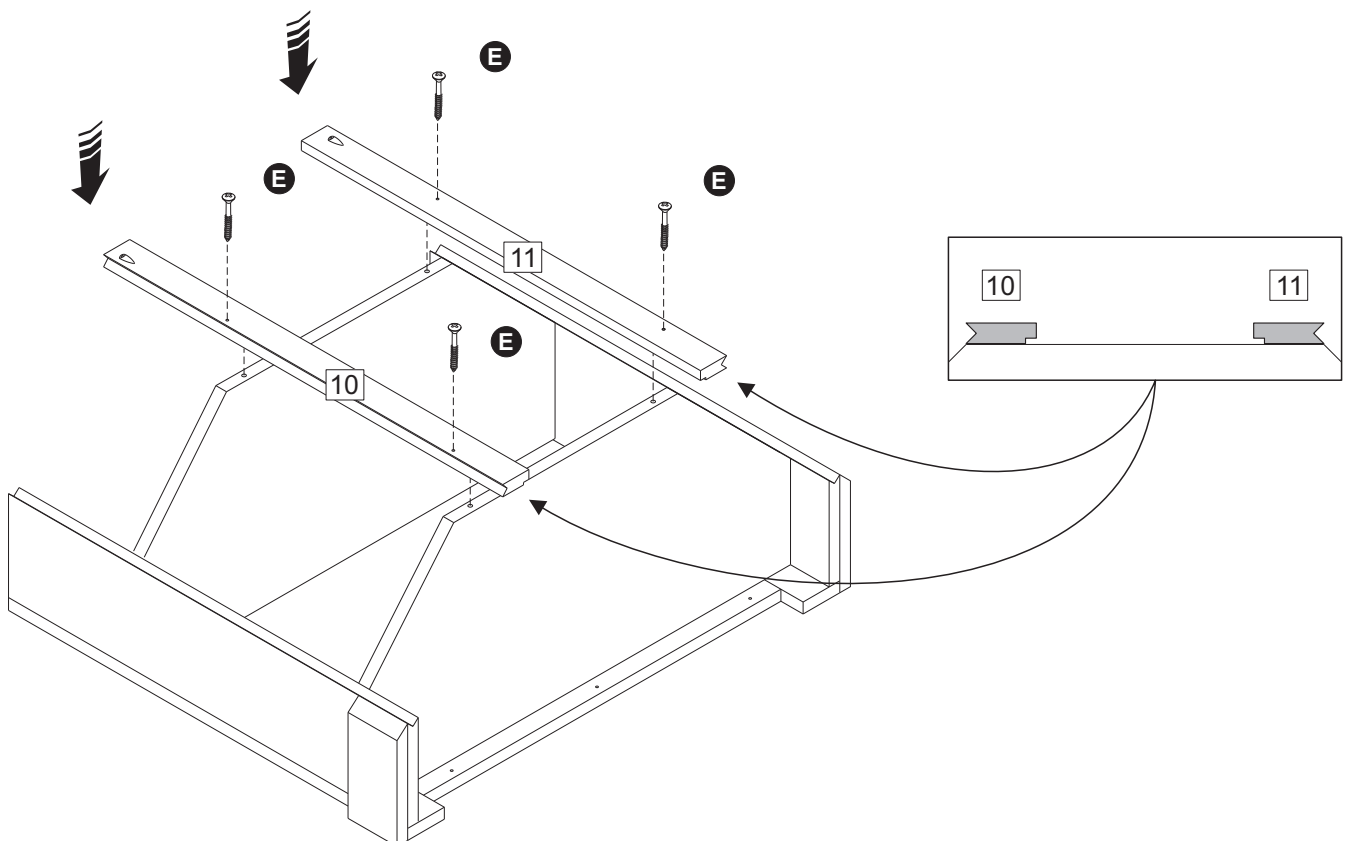
Step 3:



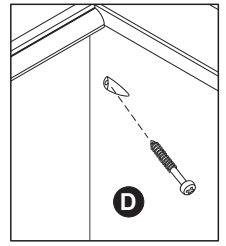
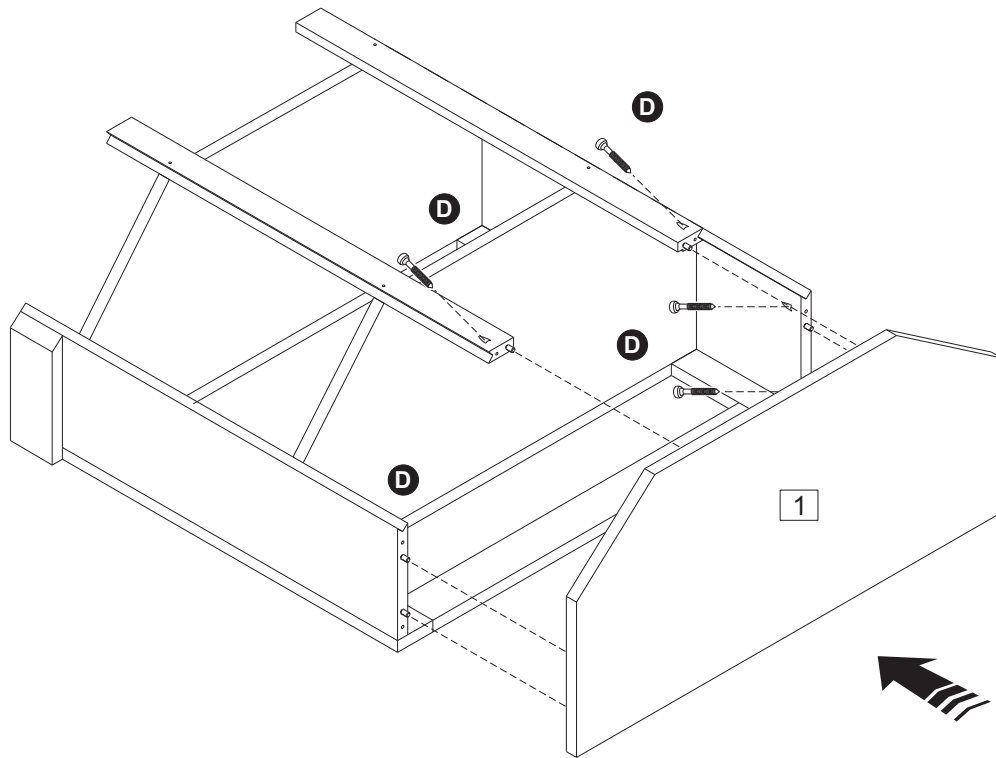
Step 4:



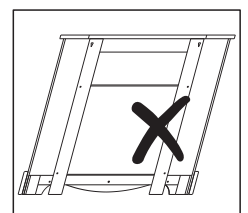
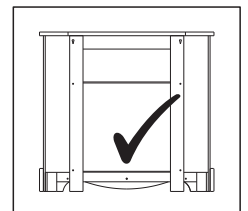
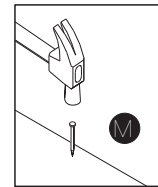
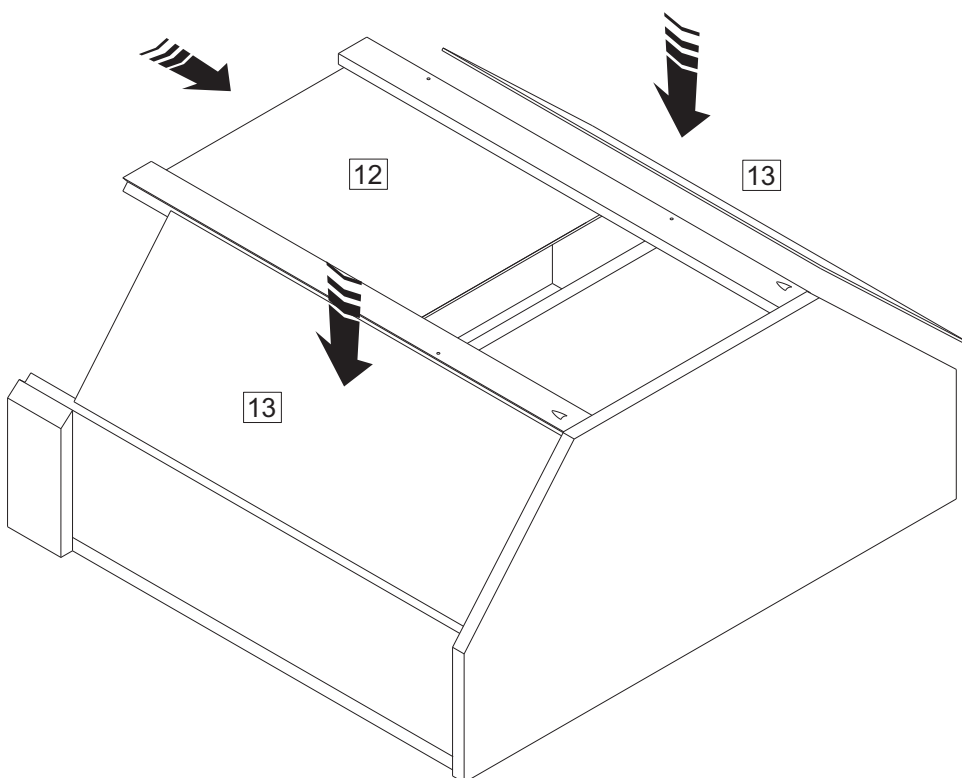
Step 5:



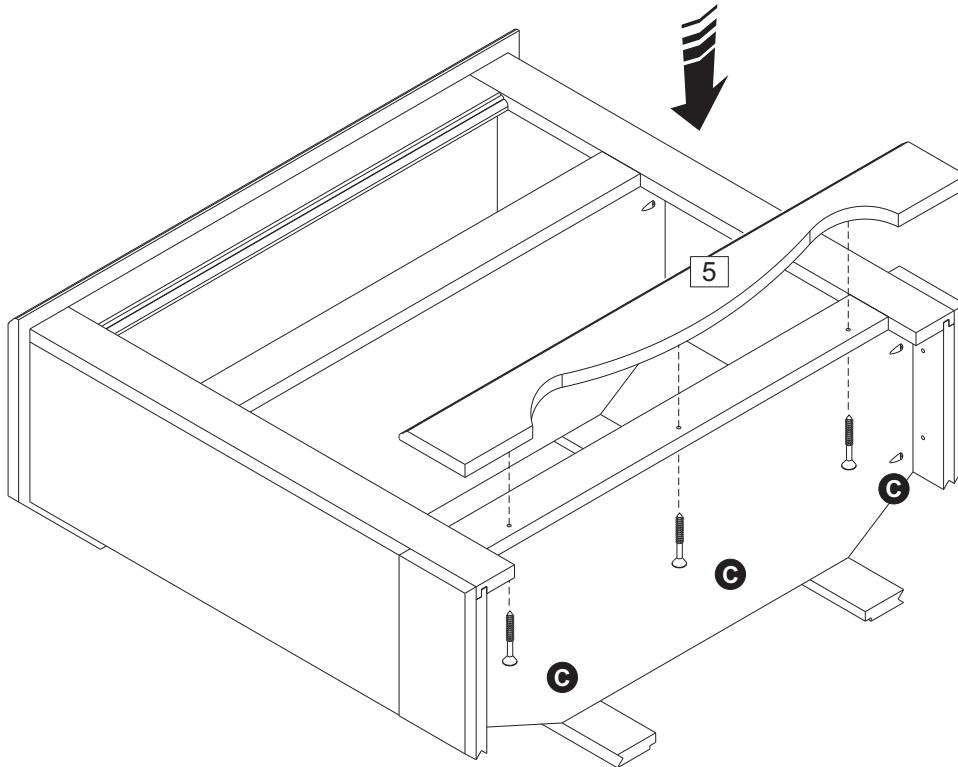
Step 6:



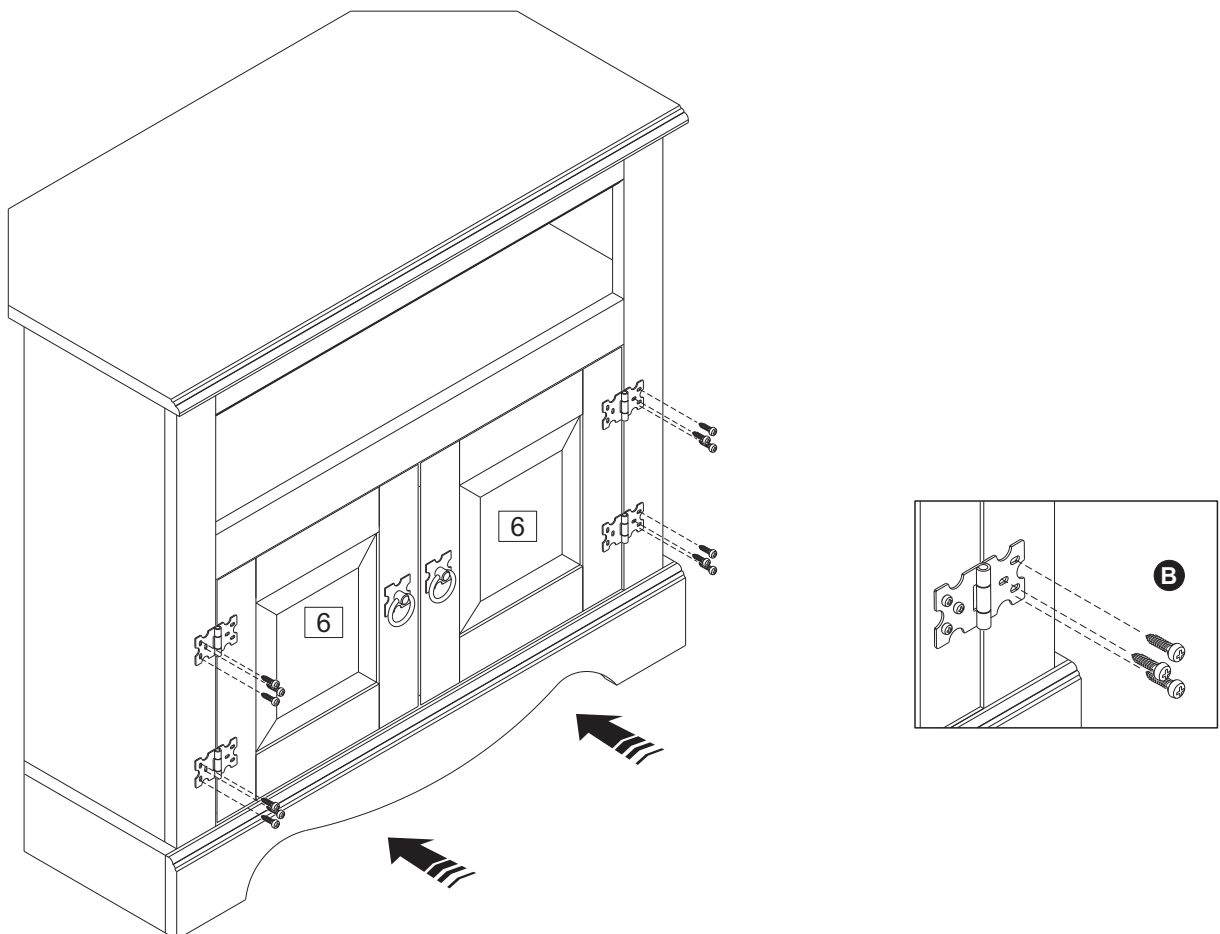
Step 7:



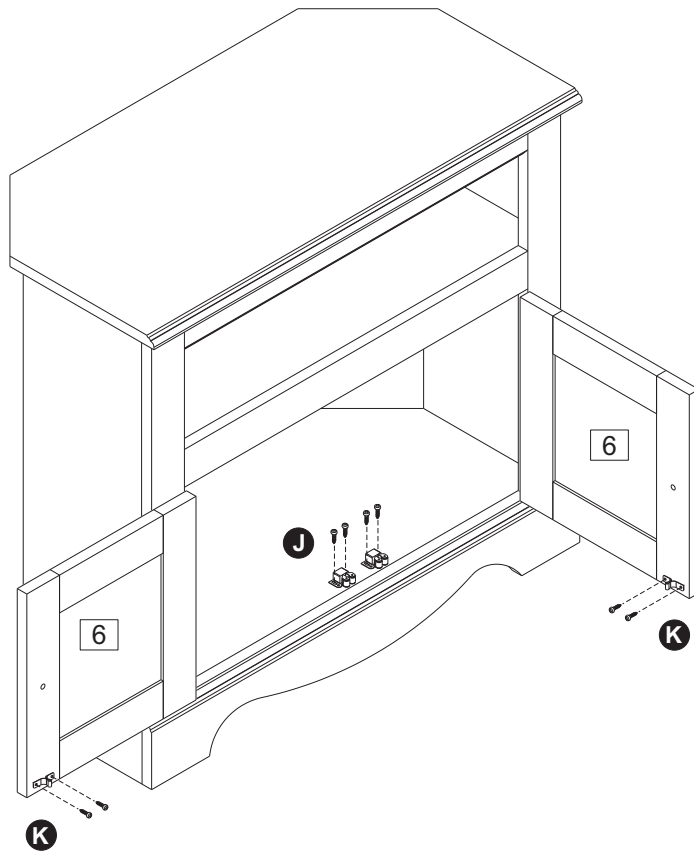
Step 8:



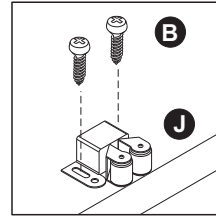
Step 9:



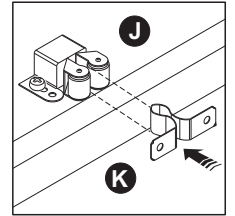
Step 10:



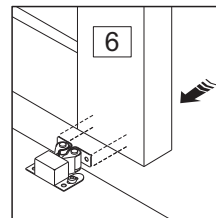
a:



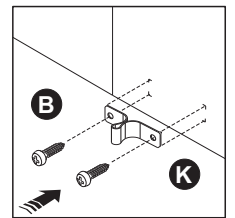
b:



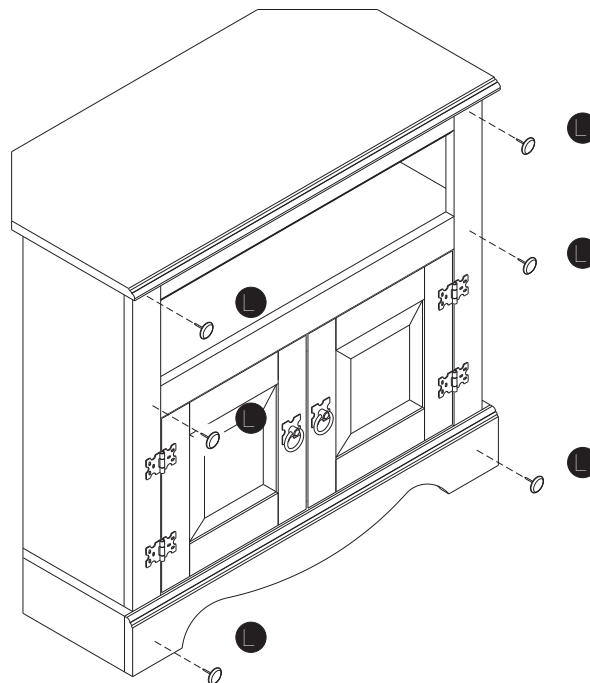
c:



d:



Step 11:



Additional Information

If you have any issues with your item please contact the retailer directly you purchased it from who will be able to resolve any issues.