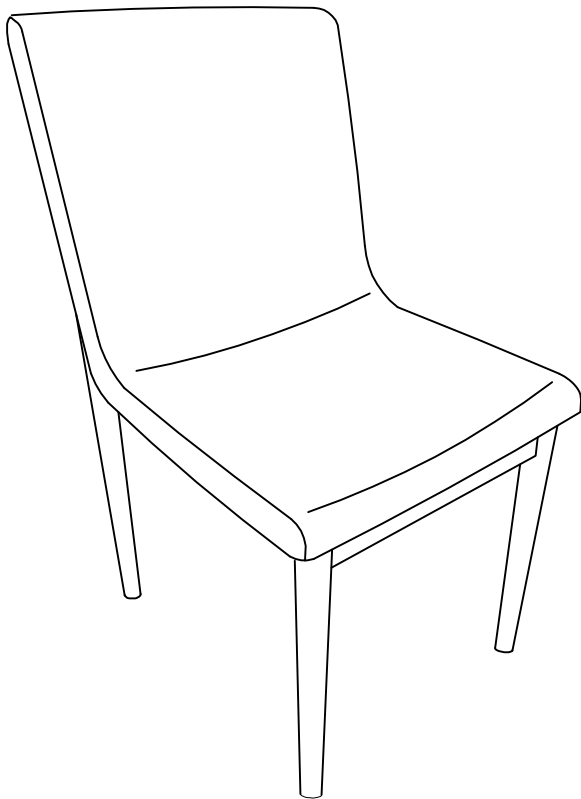


ASSEMBLY INSTRUCTIONS



TOOLS REQUIRED



Allen Wrench

(Included)



**Phillips
Screwdriver**

(Not Included)



**2 - People
Recommended**

ASSEMBLY RATING



EASY —————> DIFFICULT

The Assembly Rating is a 5-point system showing the level of effort needed to assemble a specific product.



CHECK BEFORE STARTING

Are you missing anything?

Double-check all parts, hardware and accessories listed are all accounted for.

Check out our Quick Tips!

We recommend reviewing the pre-assembly handouts. Even experts need a refresher now and then!

Should we send any replacements?

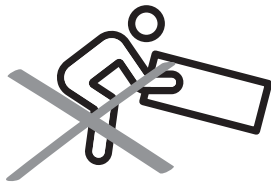
Are there any irregularities or flaws in the parts? We can send replacements!

Prep Time!

Please review the assembly instructions and all diagrams prior to assembling.

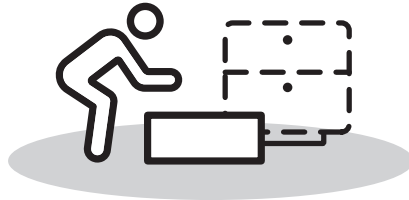
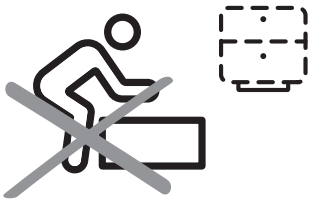
PRE ASSEMBLY INTRODUCTION

We understand building ready-to-assemble furniture can be a challenging experience for some. To help avoid confusion, we have provided some helpful tips that may speed up the process.



Teamwork

ALWAYS have at least two people to help with transporting and assembling the product to avoid potential injury and/or damage.



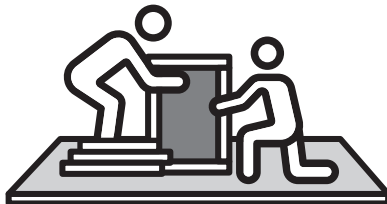
Suitable Location

Assembling near the area of the intended location is highly recommended.



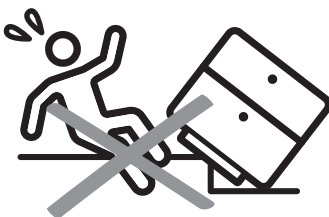
Sufficient Space

Make sure you have enough space to move around during the assembly.



Avoid Scratches

Use cardboard, blankets or a carpeted area while assembling furniture to prevent to prevent scratches and damages.



Flat Surface

Make sure the furniture rests on a flat and level surface with each leg evenly touching the floor.

ASSEMBLY AND CARE ADVICE



FAILURE TO FOLLOW THE GUIDELINES BELOW MAY RESULT IN INJURY AND/OR PROPERTY DAMAGE.



Position each part correctly and insert screws or bolts into their respective holes.



Use the appropriate hand tools or power tools for assembly. Select steps, such as tightening screws and/or bolts, may require hand tools to avoid causing damage during assembly.



Turn clockwise to tighten and only tighten when step is completed or when instructed to do so.



Save the instructions and store any supplied tools for later maintenance.



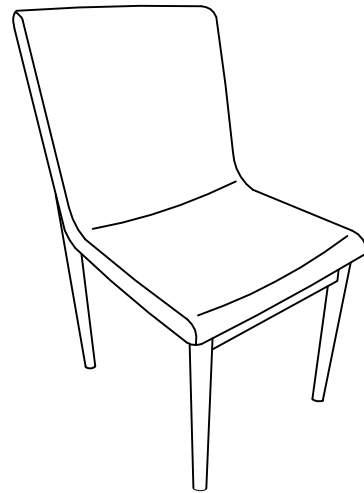
After two weeks, check and tighten any loose hardware and repeat again every six months thereafter.

IT IS THE USER'S RESPONSIBILITY TO MAINTAIN THE FURNITURE. THE HARDWARE MAY LOOSEN OVER TIME AND MAY CAUSE THE FURNITURE TO BE WOBBLY AND UNABLE TO SUPPORT ITS INTENDED WEIGHT CAPACITY. THIS MAY LEAD TO COLLAPSE AND MAY CAUSE SERIOUS INJURY.

SIDE CHAIR



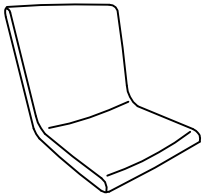
• Please keep instructions for future reference.
 • Check the quantity and irregularity of parts and hardware before you start.



x 2

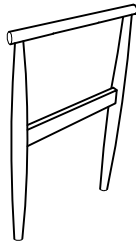
PARTS

#1 1pc x2



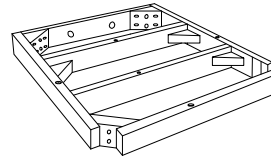
L Shape Cushion

#2 1pc x2



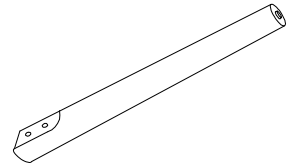
Back Rest

#3 1pc x2



Box Seat

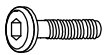
#4 2pcs x2



Front Leg

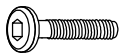
HARDWARE

#A 2pcs x2



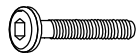
JCBC Bolt
M6 x 35mm

#B 4pcs x2



JCBC Bolt
M6 x 60mm

#C 4pcs x2



JCBC Bolt
M6 x 90mm

#D 10pcs x2



M6 Spring
Washer

#E 10pcs x2



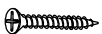
M6 Flat
Washer

#F 1pc



M4 Allen
Wrench

#G 7pcs x2



CB Screw
M4 x 32mm

ASSEMBLY INSTRUCTIONS

1

Part #2 x 1pc

Part #3 x 1pc

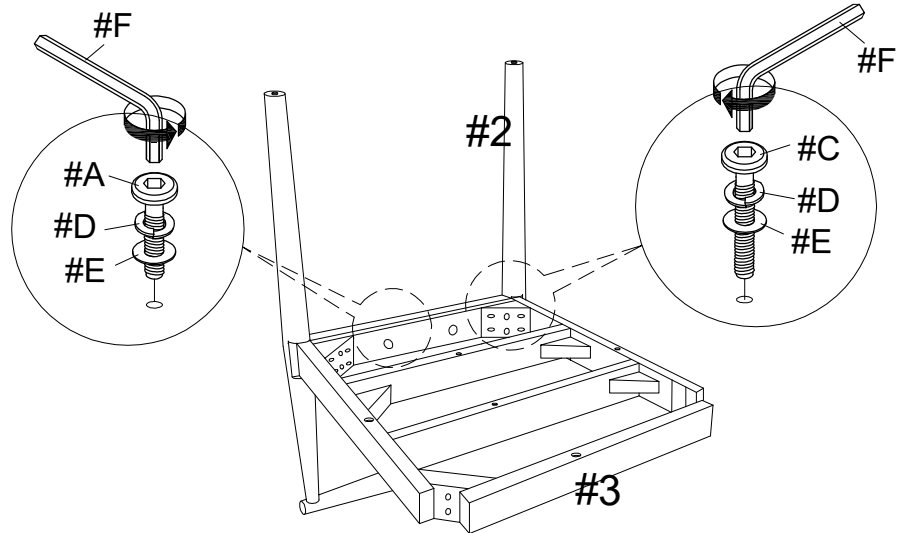
Hardware #A x 2pcs

Hardware #C x 4pcs

Hardware #D x 6pcs

Hardware #E x 6pcs

Align and attach Back Rest (#2) to Box Seat (#3). Secure middle holes using Bolt (#A) with Washers (#D, E). Secure corner holes using Bolt (#C) with Washers (#D, E)



2

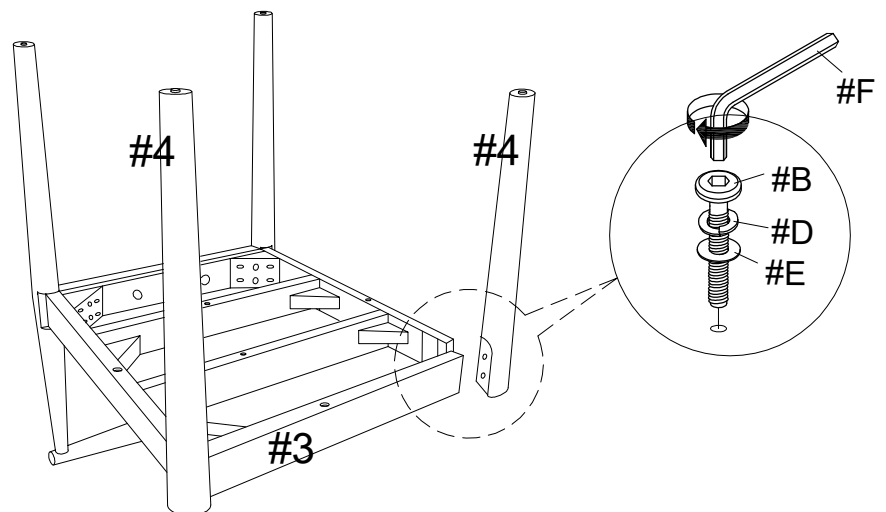
Part #4 x 2pcs

Hardware #B x 4pcs

Hardware #D x 4pcs

Hardware #E x 4pcs

Align and attach Front Leg (#4) to Seat (#3) using Bolt (#B) with Washers (#D, E)



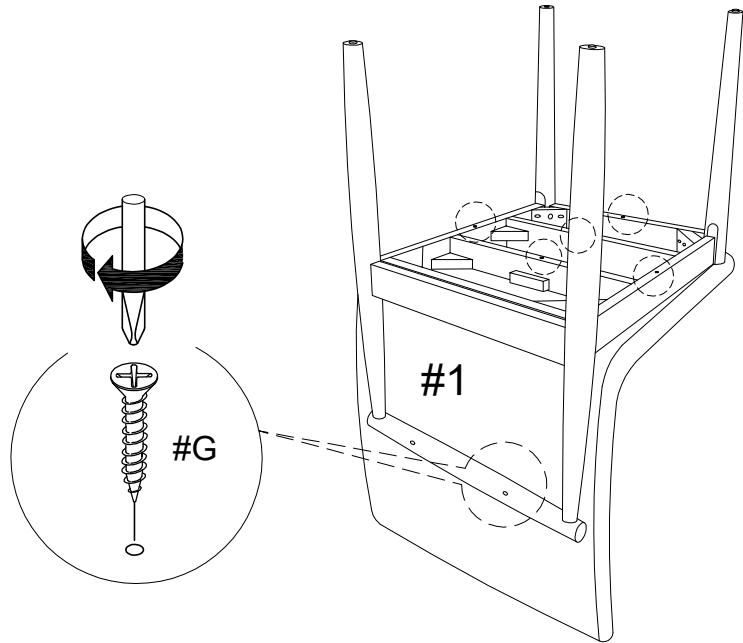
ASSEMBLY INSTRUCTIONS

3

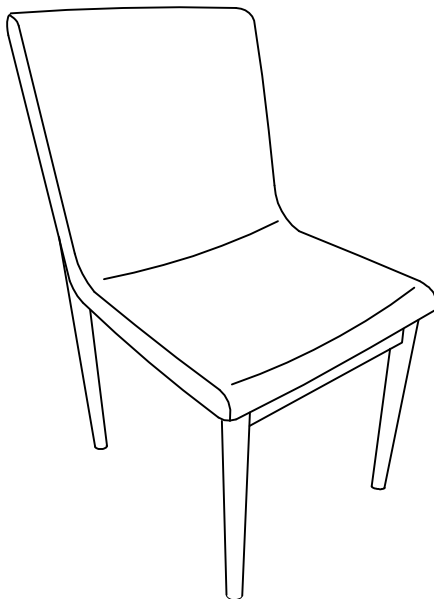
Part (#1) x 1pc

Hardware (#G) x 7pcs

Secure L Shape Cushion (#1)
to Back Rest (#2) using CB
Screw (#G)



4



ASSEMBLY COMPLETED



Please ensure the furniture rests on an even and flat surface. If the product wobbles or feels loose, double-check all bolts and/or screws are properly tightened and secured.



Keep this handy!

Please retain this instruction manual and any order-related information for future reference.



Lift, don't drag!

To avoid damage to product please always LIFT the product when transporting or adjusting the placement.