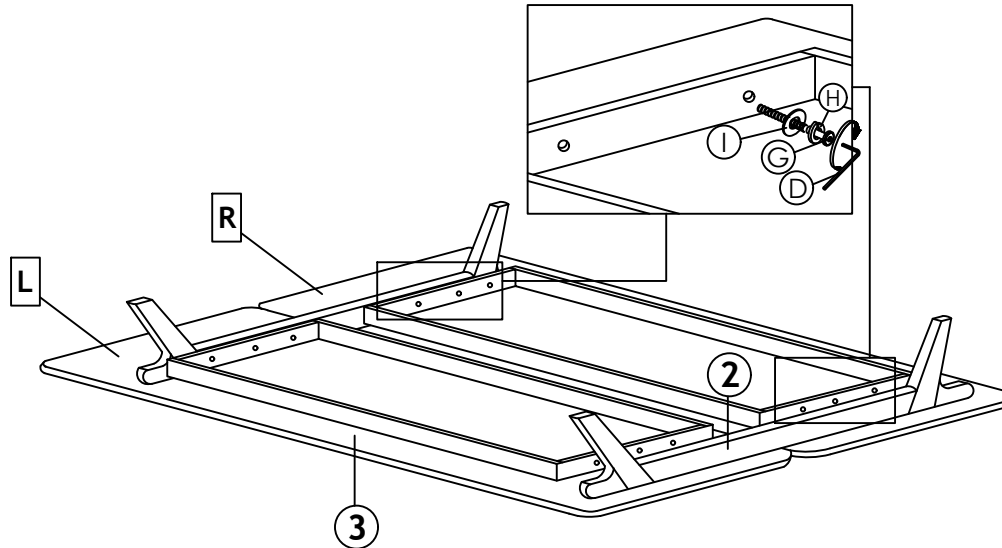





STEP 1 :

Place **Mattress Panel (3)** and **Legs (2)** on a carpeted or padded area as shown. Attach **Legs (2)** into **Mattress Panel L & R (3)** by inserting **JCBC SCREW M6 x 40mm(G)**, **Spring Washer $\frac{1}{4}$ "(H)** and **Flat washer $\frac{1}{4}$ " (I)**. Tighten with **M4 Allen Key (Ball Shape)Long(D)**.

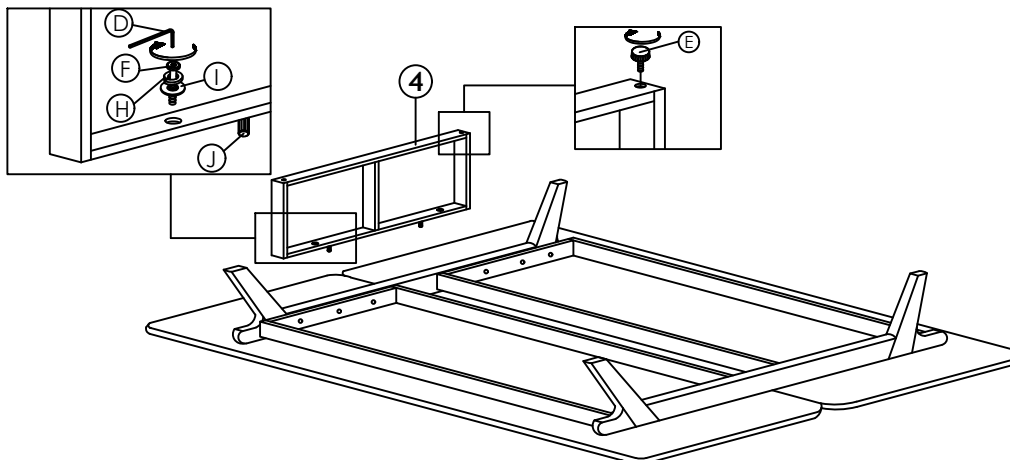








			
G x 12	H x 12	D x 1	I x 12

Hardware & Tool required

STEP 2 :

1. Secure the **Wooden Support(4)** by using **Bolt Base Glide M6 x 23(C83)(E)**. Insert the wooden dowel into the bottom holes on each side of the **Wooden Support(4)**.
2. Attach **Wooden Support(4)** first by inserting the other end of the wooden dowel(J) into the corresponding holes on the **Mattress Panel(3)**, and then secure by inserting **JCBC SCREW M6 x 35mm(F)**, **Spring Washer $\frac{1}{4}$ "(H)** and **Flat Washer $\frac{1}{4}$ "(I)**. Then, tighten with **M4 Allen Key(Ball Shape)Long(D)**.



					
F x 2	H x 2	D	I x 2	E x 2	J x 2

Hardware & Tool required