

Single Seat

Assembly Instructions - Please keep for future reference
Important - Please read these instructions before assembly

Safety and Care Advice

Assembly and Safety Tips

- Remove all fittings from plastic bags and group them according to type to make assembly easier.
- Keep children and pets away from the assembly area to avoid small parts causing suffocation or injury.
- Ensure you have enough space to lay out the parts before beginning the assembly.
- Do not stand on the sofa or exert excessive pressure during assembly, as this could damage the product.
- Assembly is easier with two people—we recommend having an assistant for smoother setup.
- Dispose of all packaging responsibly and follow local waste disposal guidelines.


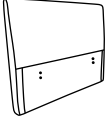
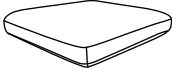

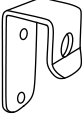



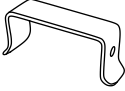

Important Tips for Use

1. **Vacuum Compression Recovery** – Compressed parts may take up to 72 hours to fully expand after unpacking. To speed up the process, gently fluff and knead the cushions or place them in a well-ventilated area.
2. **Wrinkle Removal** – Any wrinkles from compression can be smoothed out faster by steaming or ironing at a low temperature.
3. **Velcro Strip Setup** – Remove the black fabric covering the Velcro strips on the seat frame before placing the cushions. This ensures a secure fit, preventing cushions from shifting during use.
4. **U-Shaped Connectors for Stability** – Use the included U-shaped connectors to securely attach adjacent seats. This prevents the modules from separating and ensures a stable, seamless seating experience.
5. **Removing the Headrest Frame** – Firmly grip the label (the lowest part of the headrest frame) with both hands from the front and pull outward to detach it.
6. **Wireless Charging Reminder** – Before using the wireless charging function of the cosole, please remove the protective plastic film covering the charging pad to ensure proper charging.
7. **Recliner Footrest Protection Film** – To prevent dirt from shoes, we have covered the footrest with a protective plastic film. You do not need to remove it—it is easy to wipe clean and helps maintain your recliner.

Components

Please check if all the pieces listed below are received.

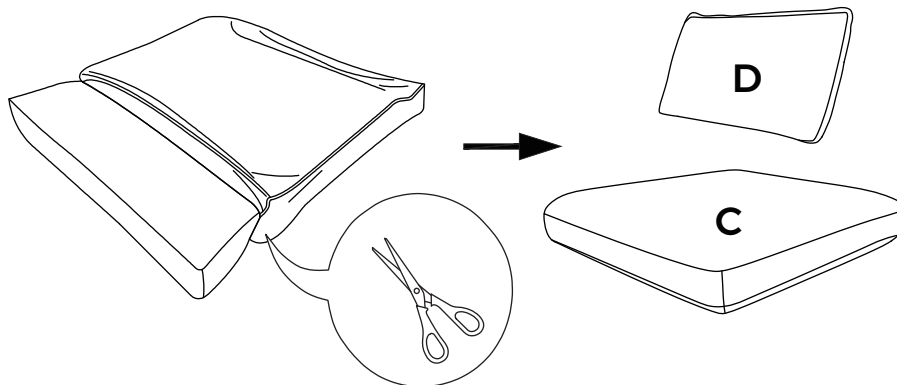
Seater Accessories

A  Seat Base x1	B  Backrest x1	C  Seat Cushion x1	D  Back Cushion x1	E  Connector x2	F  Round Leg x4	G  Screw x4
H  Hex Key x1	I  U-shaped Connector x2	J  Backrest Cover x1				

Assembly Instructions

CAUTION : Inappropriate installation of screws will cause damages to the product !

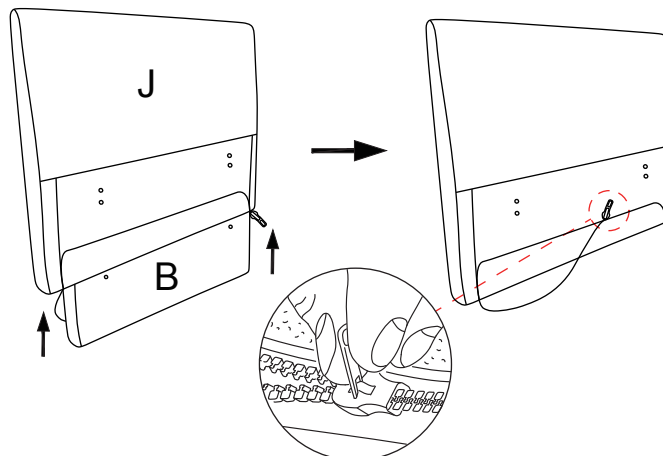
Step 1



72 hours

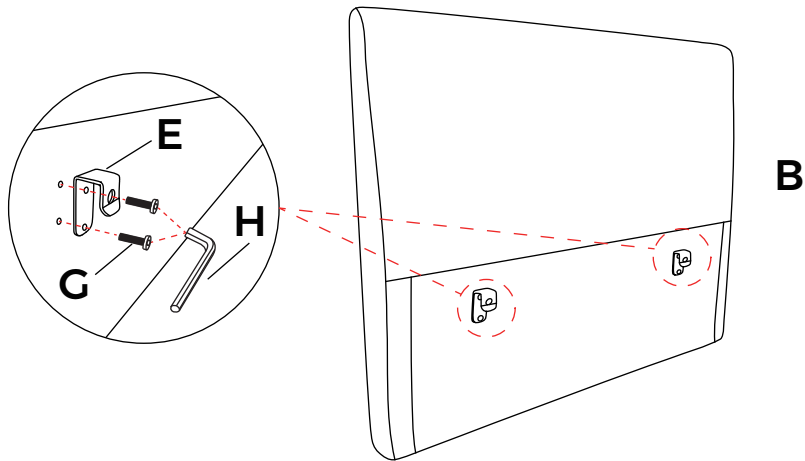
Carefully cut open the compression bag (C&D) with scissors to avoid damaging the inner material. The vacuum-sealed cushions will fully expand within 72 hours.

Step 2



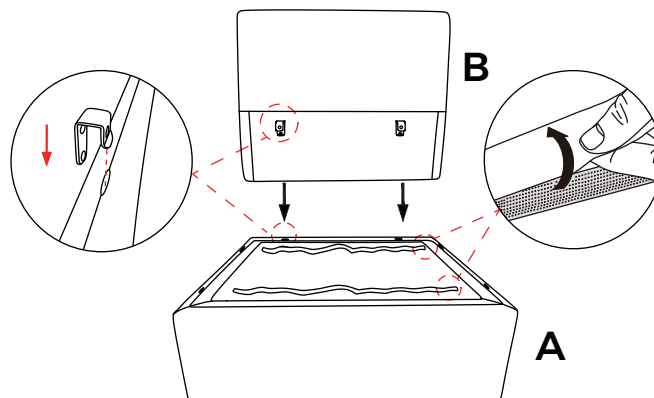
Tuck the backrest (B) into the backrest cover (J). Start from the bottom, slide the backrest into the cover, and then zip up to secure the cover in place.

Step 3



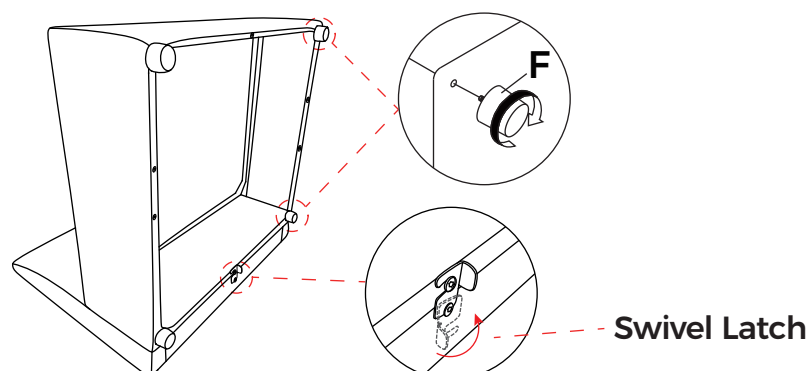
Insert the connector (E) into the holes on the backrest (B) and tighten with the hex key (H).

Step 4



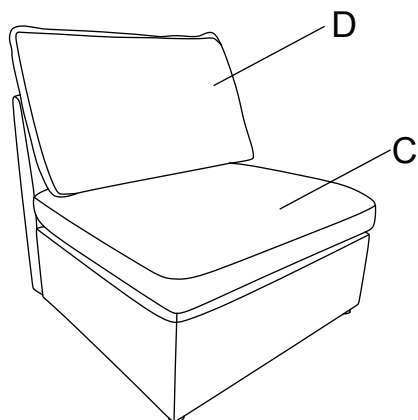
Insert the backrest (B) with connectors (E) into the slots on the seat base (A). Remove the fabric strip before assembly.

Step 5



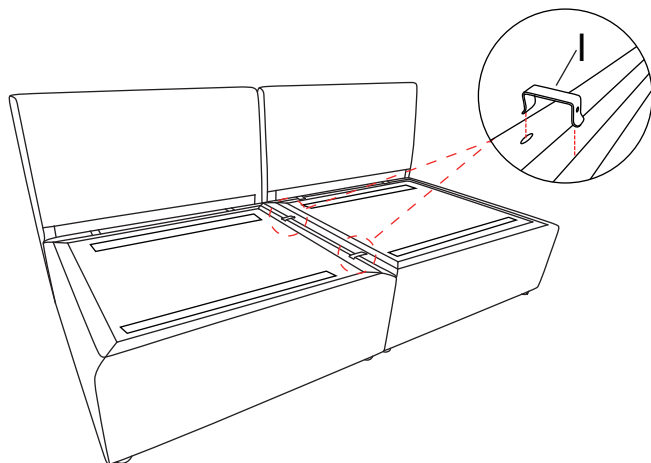
Flip seat, attach round legs (F), rotate and tighten the swivel latch at the bottom of the backrest and the seat base to ensure stability.

Step 6



Place the seat cushion (C) and back cushion (D) onto the seat and backrest as shown in the diagram.

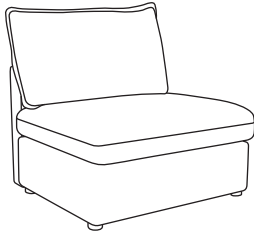
Step 7



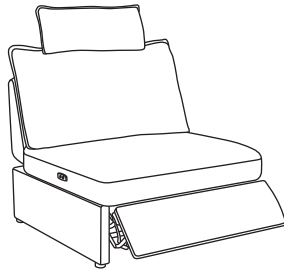
Connect and secure the two single seats with U-shaped connectors to prevent movement.

Customize Your Sofa with Modules

This sofa is designed for flexibility and adaptability, allowing you to tailor your sofa to fit your needs. You can easily enhance your setup with these separate modules:



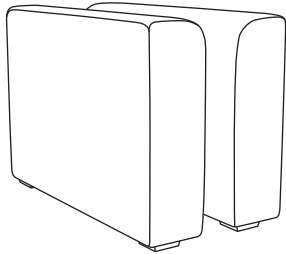
Single Seat



Power Recliner Seat



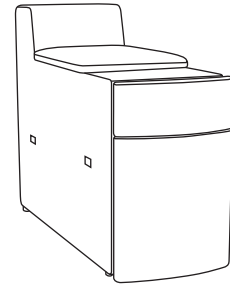
Corner Seat



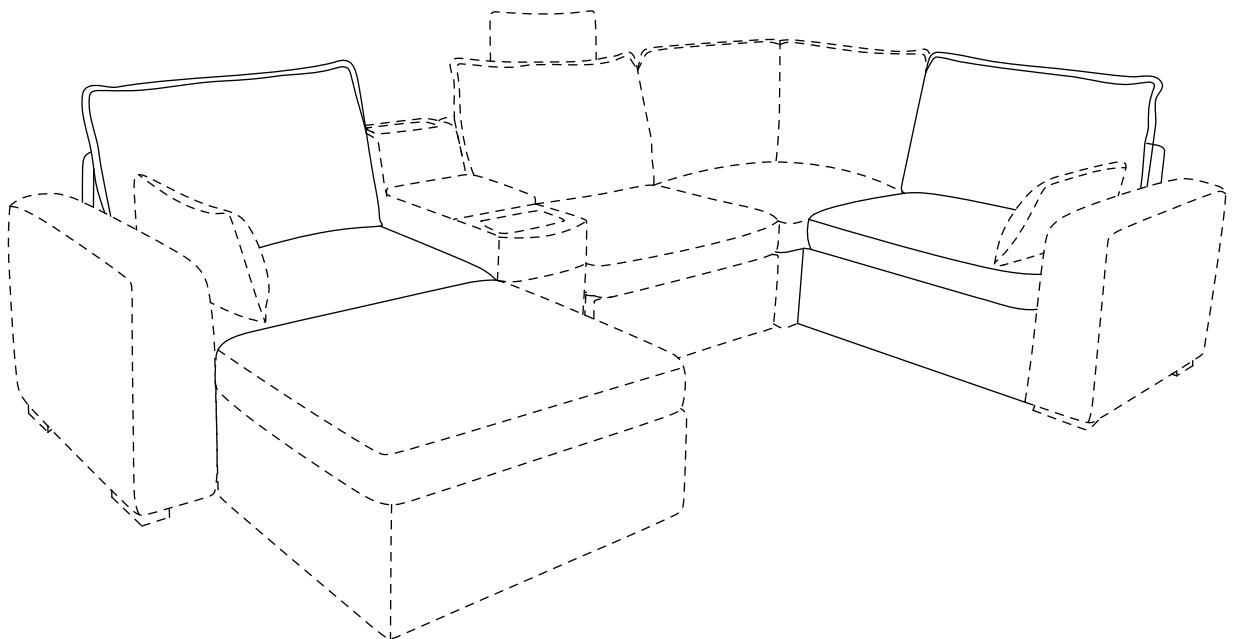
Armrest

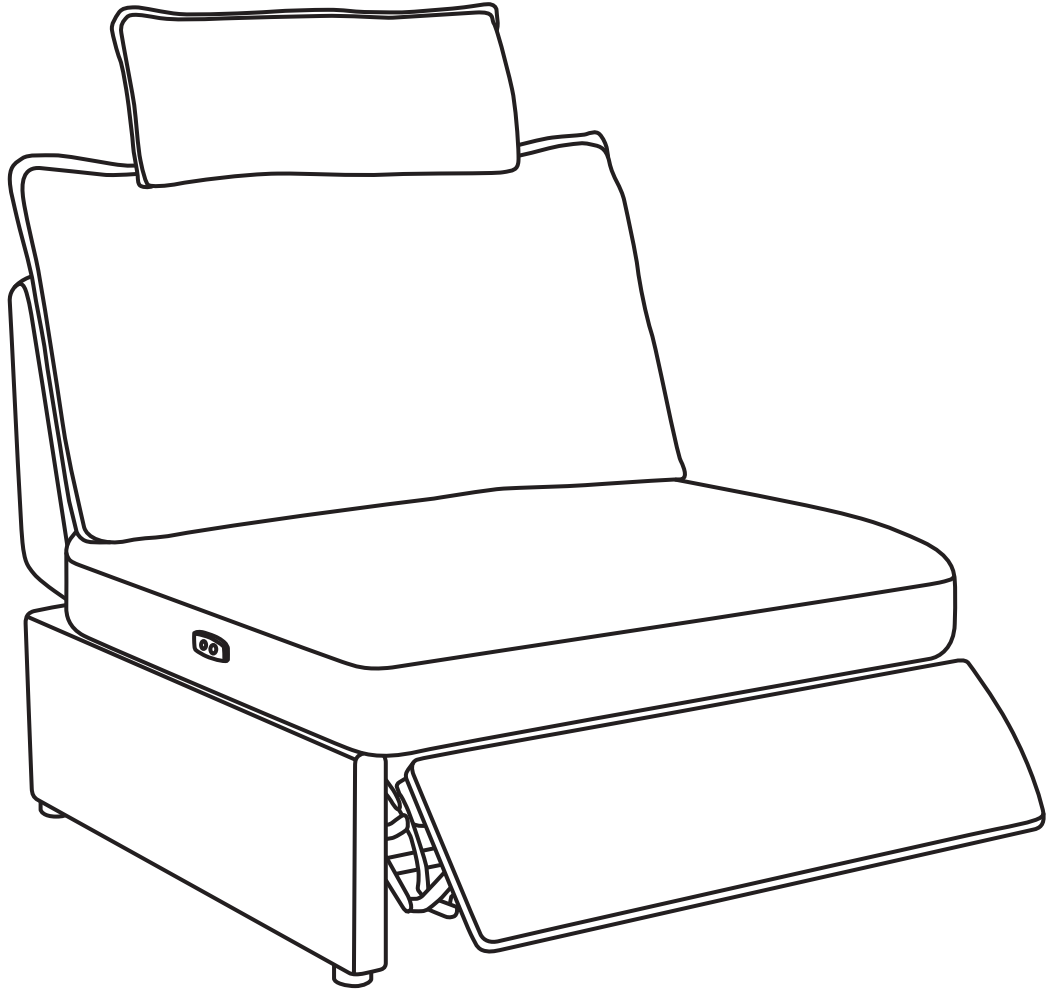


Storage Ottoman



Versatile Console





Electric Recliner

Assembly Instructions - Please keep for future reference
Important - Please read these instructions before assembly

Safety and Care Advice

Assembly and Safety Tips

- Remove all fittings from plastic bags and group them according to type to make assembly easier.
- Keep children and pets away from the assembly area to avoid small parts causing suffocation or injury.
- Ensure you have enough space to lay out the parts before beginning the assembly.
- Do not stand on the sofa or exert excessive pressure during assembly, as this could damage the product.
- Assembly is easier with two people—we recommend having an assistant for smoother setup.
- Dispose of all packaging responsibly and follow local waste disposal guidelines.

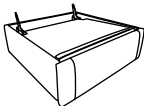
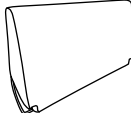







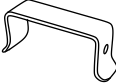
Important Tips for Use

1. **Vacuum Compression Recovery** – Compressed parts may take up to 72 hours to fully expand after unpacking. To speed up the process, gently fluff and knead the cushions or place them in a well-ventilated area.
2. **Wrinkle Removal** – Any wrinkles from compression can be smoothed out faster by steaming or ironing at a low temperature.
3. **Velcro Strip Setup** – Remove the black fabric covering the Velcro strips on the seat frame before placing the cushions. This ensures a secure fit, preventing cushions from shifting during use.
4. **U-Shaped Connectors for Stability** – Use the included U-shaped connectors to securely attach adjacent seats. This prevents the modules from separating and ensures a stable, seamless seating experience.
5. **Removing the Headrest Frame** – Firmly grip the label (the lowest part of the headrest frame) with both hands from the front and pull outward to detach it.
6. **Wireless Charging Reminder** – Before using the wireless charging function of the cosole, please remove the protective plastic film covering the charging pad to ensure proper charging.
7. **Recliner Footrest Protection Film** – To prevent dirt from shoes, we have covered the footrest with a protective plastic film. You do not need to remove it—it is easy to wipe clean and helps maintain your recliner.

Components

Please check if all the pieces listed below are received.

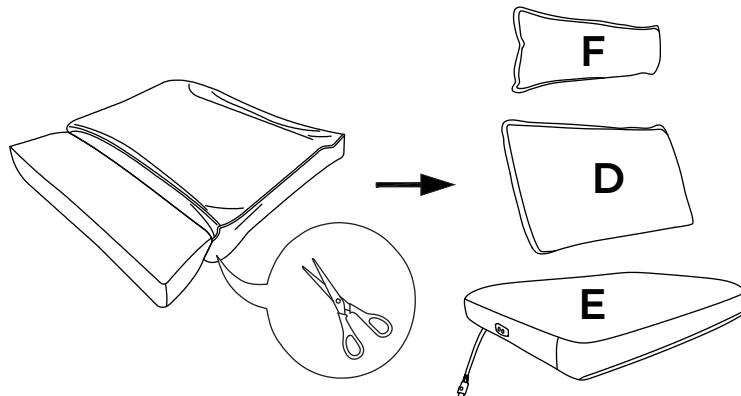
Seater Accessories

A  Seat Base x1	B  Backrest x1	C  Headrest Support x1	D  Back Cushion x1	E  Seat Cushion x1	F  Headrest Pillow x1	G  Round Leg x4
H  Adapter x1	I  Power Cord x1	J  Connector x2				

Assembly Instructions

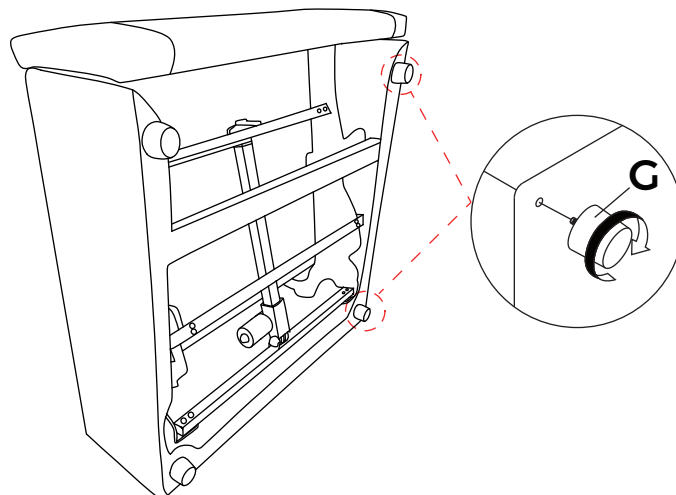
CAUTION : Inappropriate installation of screws will cause damages to the product !

Step 1



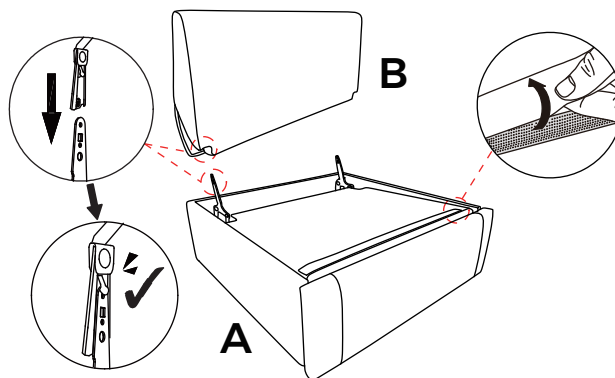
Carefully cut open the compression bag (D, E, F) with scissors to avoid damaging the inner material. The vacuum-sealed cushions will fully expand within 72 hours.

Step 2



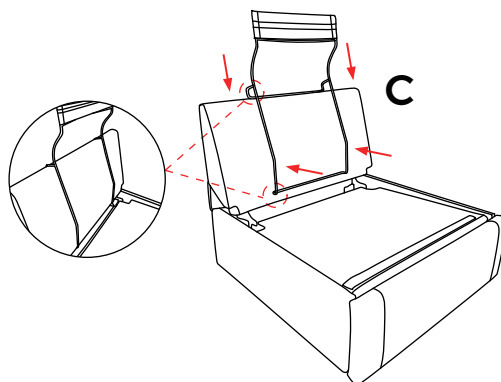
Flip seat base, attach round legs (G).

Step 3



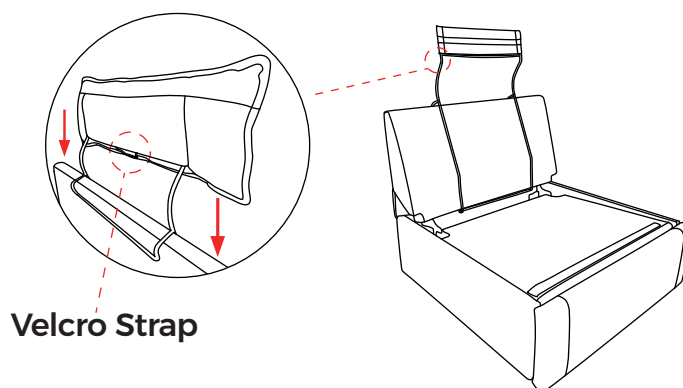
Align the backrest (B) with the seat base (A) and press down until it locks. Remove the fabric cover from the seat first.

Step 4



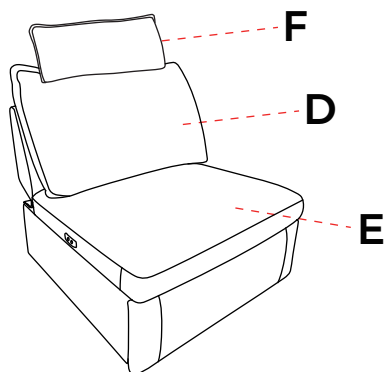
Stand in front of the seat base, and place the headrest frame (C) onto the top of the backrest (B). Press the bottom of the headrest frame down until it clicks into place.

Step 5



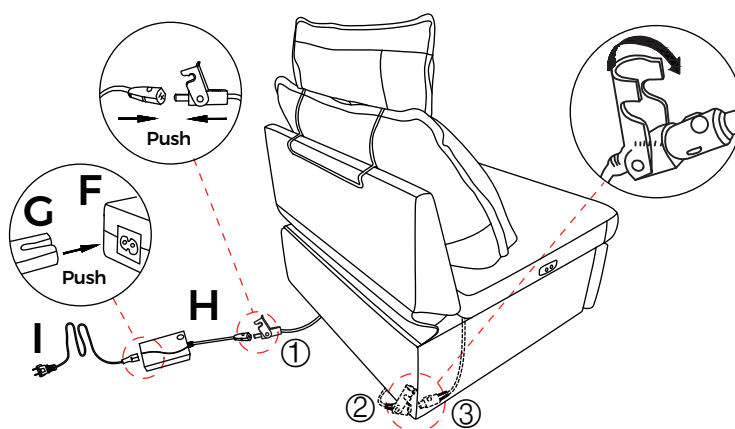
Place the headrest pillow (F) over the headrest frame (C). Pull the pillow up to the top and roll the Velcro strap inward and around the frame, securing it stucked tightly to prevent the headrest from shifting during use.

Step 6



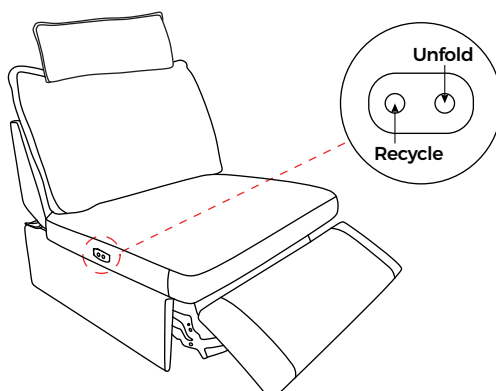
Place the back cushion (D) and seat cushion (E) on the sofa.

Step 7



Connect the seat cushion wire (③) to the power cord (②) inside the frame. Attach the adapter (H) to power cord (①) and plug it in. Tighten the anti-slip covers.

Step 8



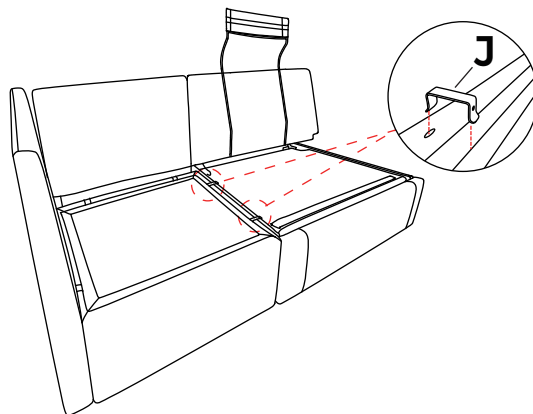
The side of the cushion is the switch for the electric recliner.



Do not allow children to play on or around the recliner chair, especially when it is in the open position.

Always close the recliner completely before leaving.

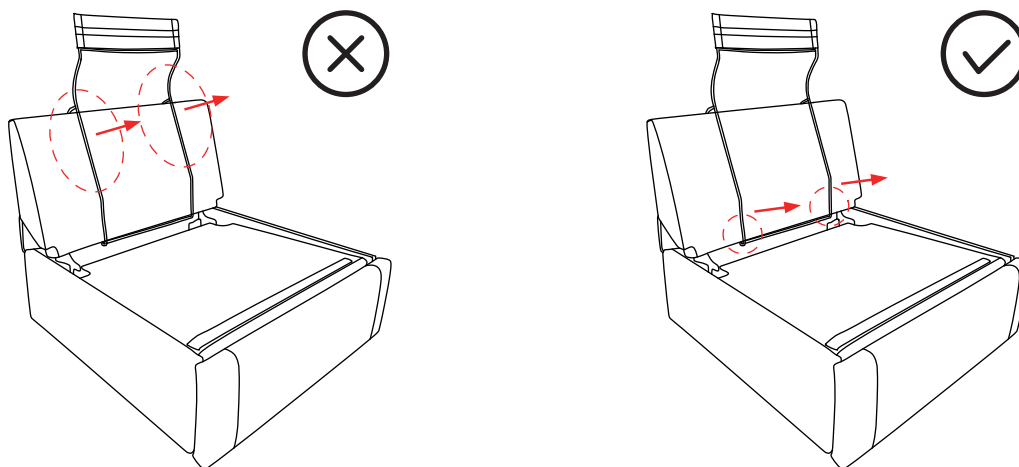
Step 9



Use the U-shaped connectors (J) to fix the module when combining with other sofa modules of the same type.

Additional Notes:

The removable headrest allows smaller users to detach it if not need

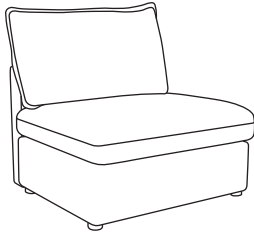


Removing the Headrest:

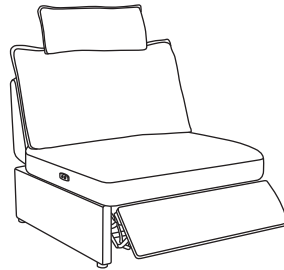
1. Remove the seat cushion (E) first to fully expose the headrest frame (C).
2. Stand in front of the recliner and use both hands to grip the labeled place (or the lower third of the headrest frame)
3. Pull the bottom horizontal bar outward to release the headrest support.
4. Do NOT grip the upper or middle parts of the frame to avoid difficulty removing it.
5. Avoid using one hand for removal, as this could cause damage to the frame.

Customize Your Sofa with Modules

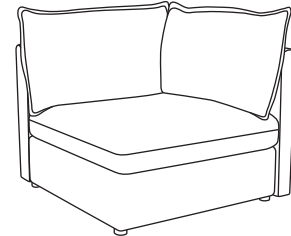
This sofa is designed for flexibility and adaptability, allowing you to tailor your sofa to fit your needs. You can easily enhance your setup with these separate modules:



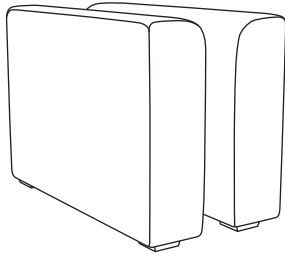
Single Seat



Power Recliner Seat



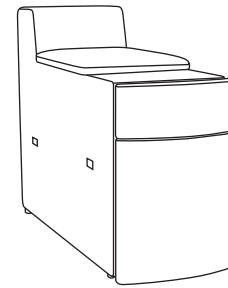
Corner Seat



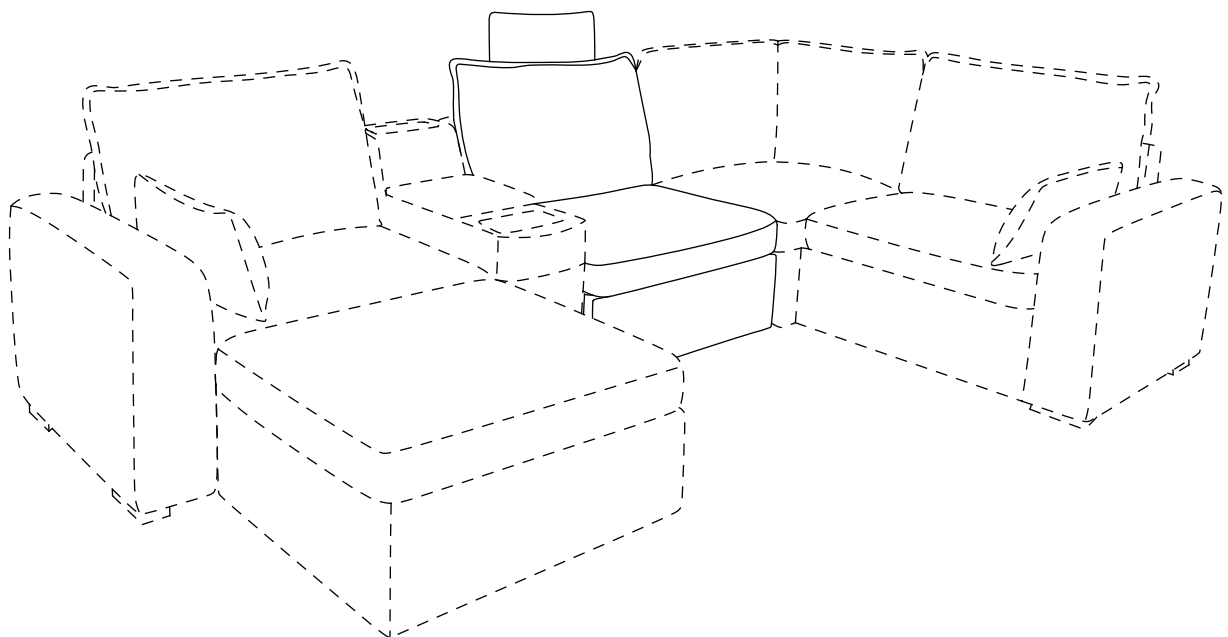
Armrest

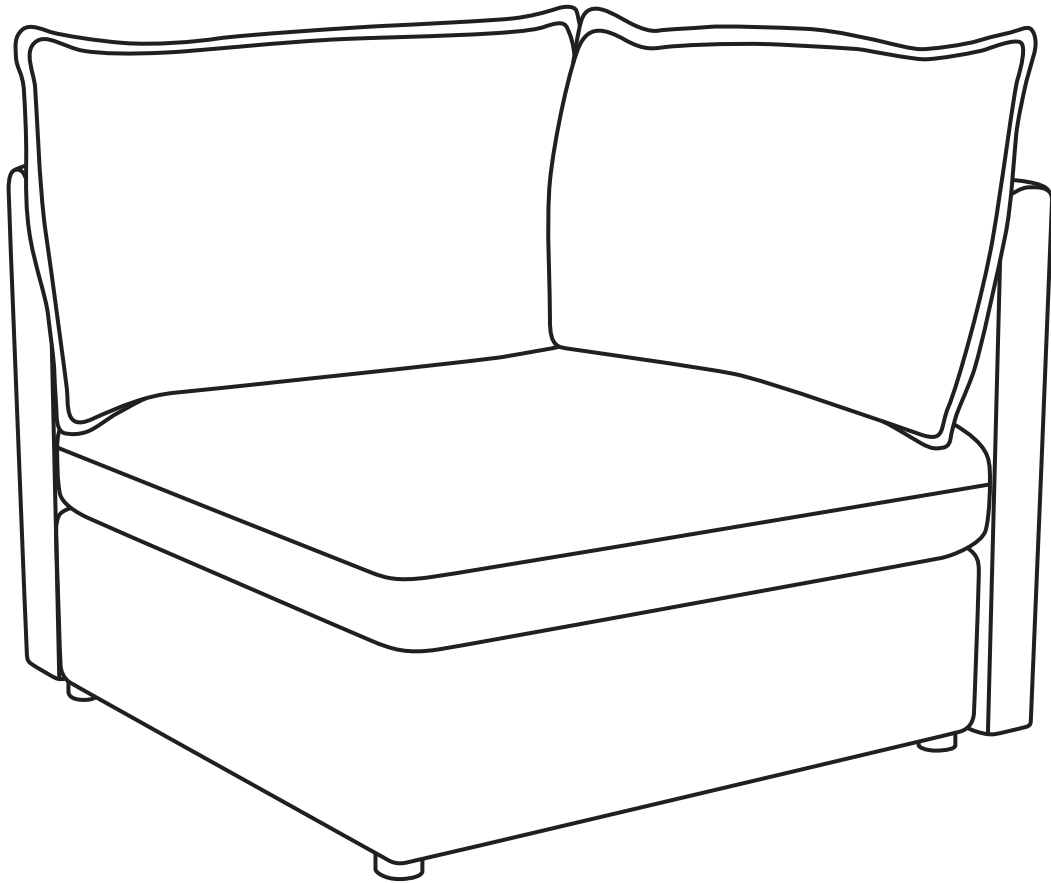


Storage Ottoman



Versatile Console





Corner Seat

Assembly Instructions - Please keep for future reference
Important - Please read these instructions before assembly

Safety and Care Advice

Assembly and Safety Tips

- Remove all fittings from plastic bags and group them according to type to make assembly easier.
- Keep children and pets away from the assembly area to avoid small parts causing suffocation or injury.
- Ensure you have enough space to lay out the parts before beginning the assembly.
- Do not stand on the sofa or exert excessive pressure during assembly, as this could damage the product.
- Assembly is easier with two people—we recommend having an assistant for smoother setup.
- Dispose of all packaging responsibly and follow local waste disposal guidelines.


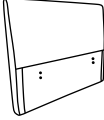
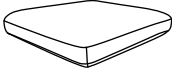

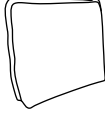
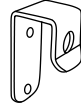



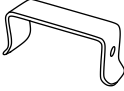

Important Tips for Use

1. **Vacuum Compression Recovery** – Compressed parts may take up to 72 hours to fully expand after unpacking. To speed up the process, gently fluff and knead the cushions or place them in a well-ventilated area.
2. **Wrinkle Removal** – Any wrinkles from compression can be smoothed out faster by steaming or ironing at a low temperature.
3. **Velcro Strip Setup** – Remove the black fabric covering the Velcro strips on the seat frame before placing the cushions. This ensures a secure fit, preventing cushions from shifting during use.
4. **U-Shaped Connectors for Stability** – Use the included U-shaped connectors to securely attach adjacent seats. This prevents the modules from separating and ensures a stable, seamless seating experience.
5. **Removing the Headrest Frame** – Firmly grip the label (the lowest part of the headrest frame) with both hands from the front and pull outward to detach it.
6. **Wireless Charging Reminder** – Before using the wireless charging function of the cosole, please remove the protective plastic film covering the charging pad to ensure proper charging.
7. **Recliner Footrest Protection Film** – To prevent dirt from shoes, we have covered the footrest with a protective plastic film. You do not need to remove it—it is easy to wipe clean and helps maintain your recliner.

Components

Please check if all the pieces listed below are received.

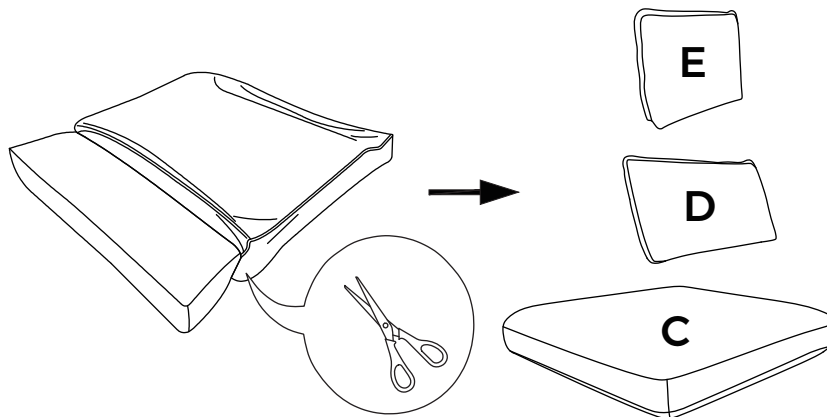
Seater Accessories

A  Seat Base x1	B  Backrest x2	C  Seat Cushion x1	D  Back Cushion x1	E  Back Cushion x1	F  Connector x4	G  Round Leg x4
H  Screw x8	I  Hex Key x1	J  U-shaped Connector x2	K  Backrest Cover x2			

Assembly Instructions

CAUTION : Inappropriate installation of screws will cause damages to the product !

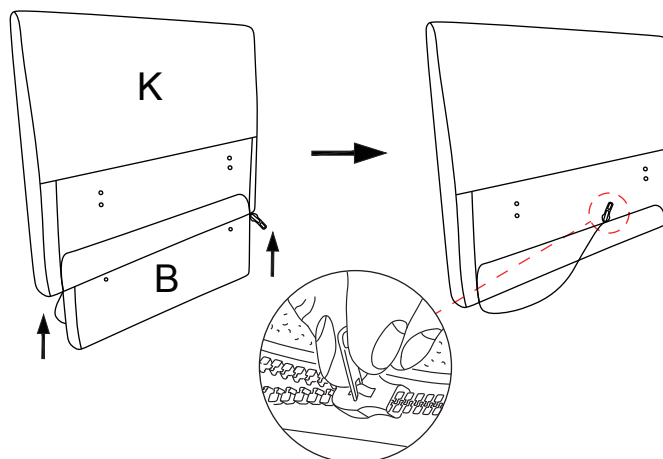
Step 1




72 hours

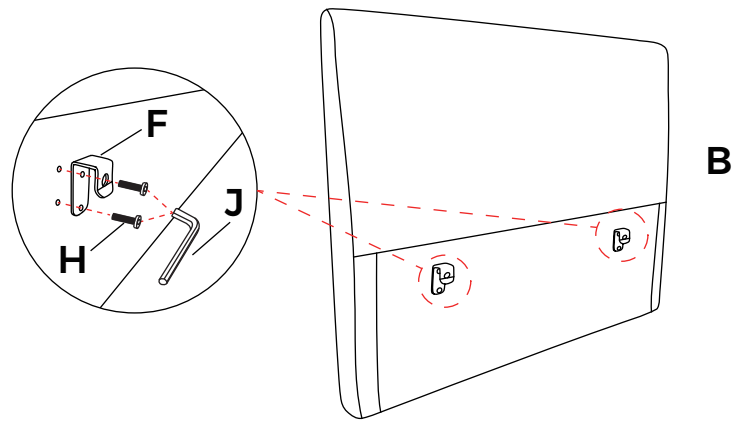
Carefully cut open the compression bags (C, D, E) with scissors to avoid damaging the inner material. The vacuum-sealed cushions will fully expand within 72 hours.

Step 2



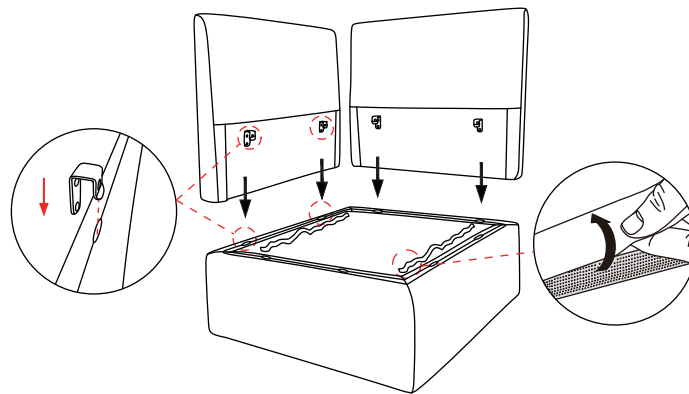
Tuck the backrest (B) into the backrest cover (J). Start from the bottom, slide the backrest into the cover, and then zip up to secure the cover in place.

Step 3



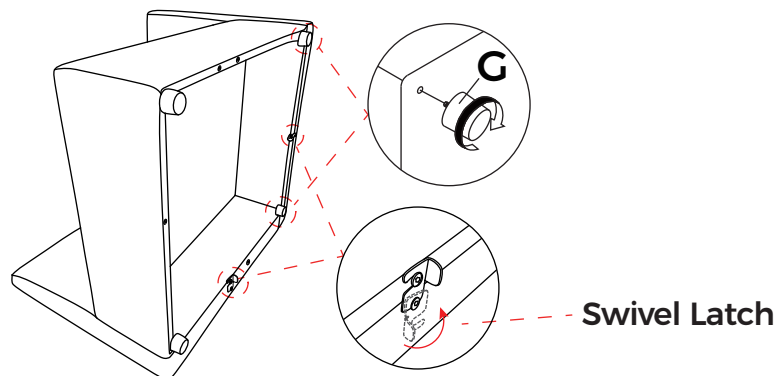
Insert the connectors (F) into the holes on two backrests (B) and secure them using the hex key (H).

Step 4



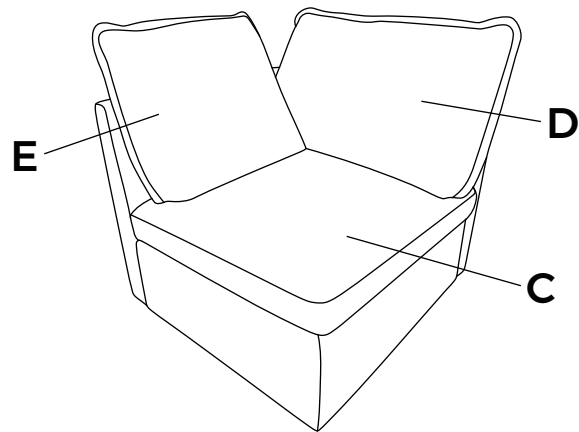
Insert the backrests (B) with connectors (F) into the seat base (A) slots, pressing down fully. Remove the fabric strip first.

Step 5



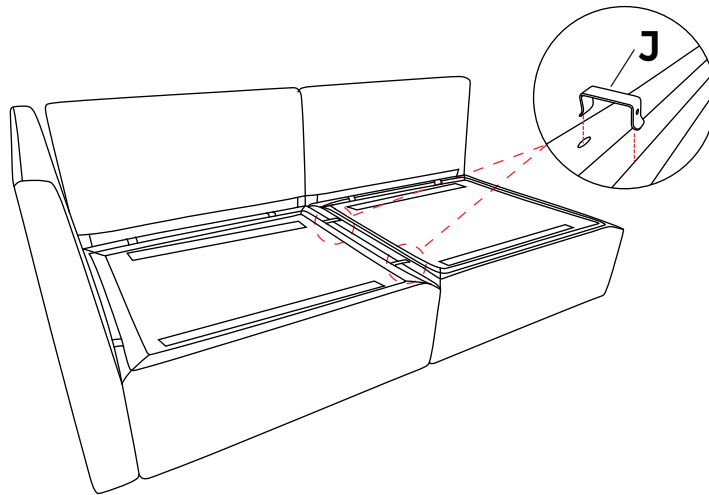
Flip seat, attach round legs (G), rotate and tighten the swivel latch at the bottom of the backrest and the seat base to ensure stability.

Step 6



Place seat cushion (C) and back cushions (D, E) as shown.
Back cushions (D, E) are interchangeable.

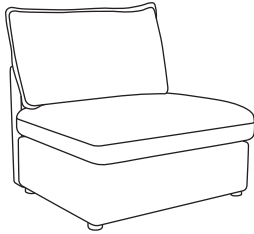
Step 7



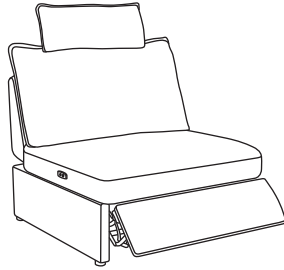
Use U-shaped connectors (J) to link with other same-type modules for stability.

Customize Your Sofa with Modules

This sofa is designed for flexibility and adaptability, allowing you to tailor your sofa to fit your needs. You can easily enhance your setup with these separate modules:



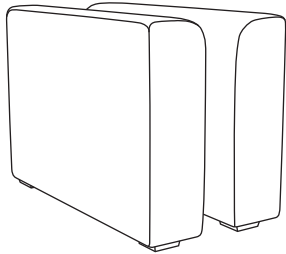
Single Seat



Power Recliner Seat



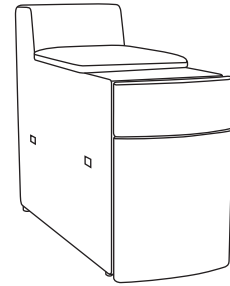
Corner Seat



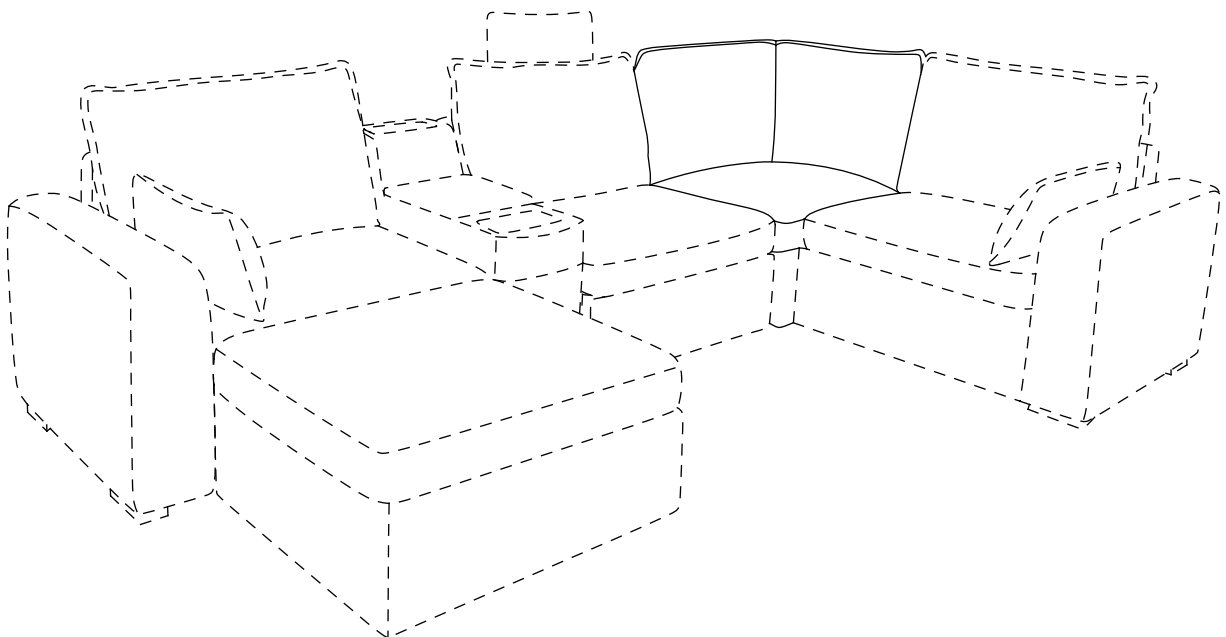
Armrest

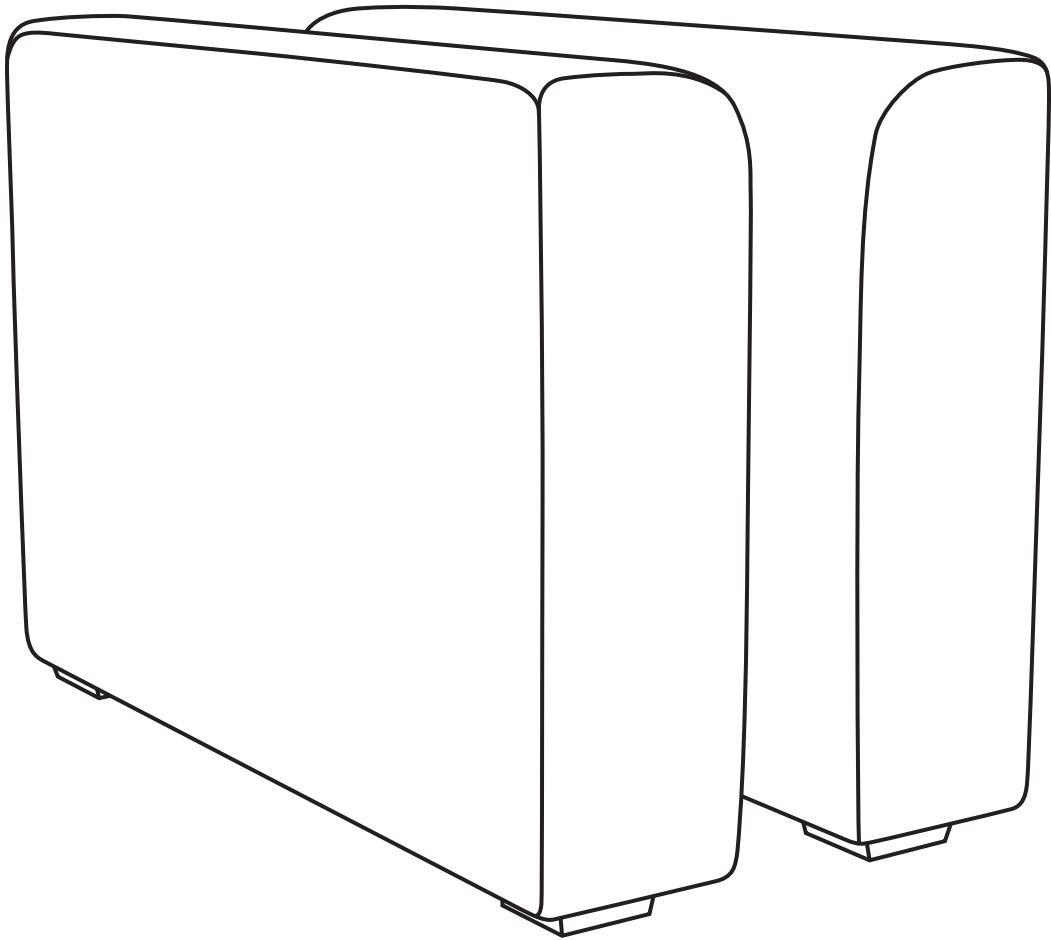


Storage Ottoman



Versatile Console








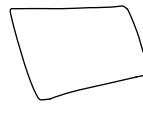
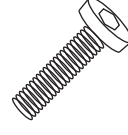
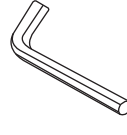

Armrest

Assembly Instructions - Please keep for future reference
Important - Please read these instructions before assembly

Components

Please check if all the pieces listed below are received.

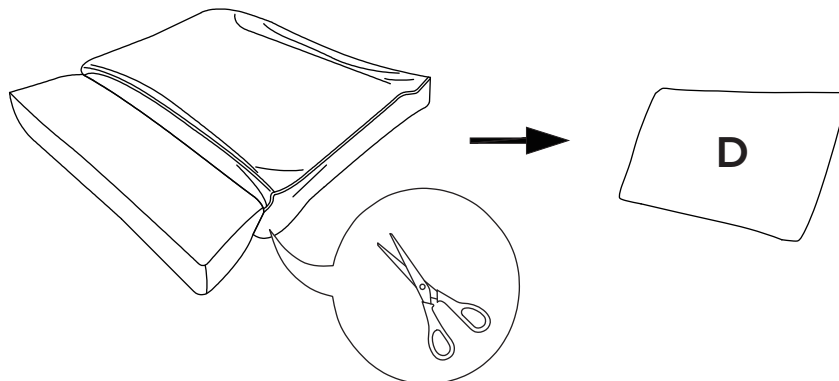
Seater Accessories

A	B	C	D	E	F	G
						
Left Armrest x1	Right Armrest x1	Connector x4	Throw Pillow x2	Screw x8	Hex Key x1	Standby Screw x4

Assembly Instructions

CAUTION : Inappropriate installation of screws will cause damages to the product !

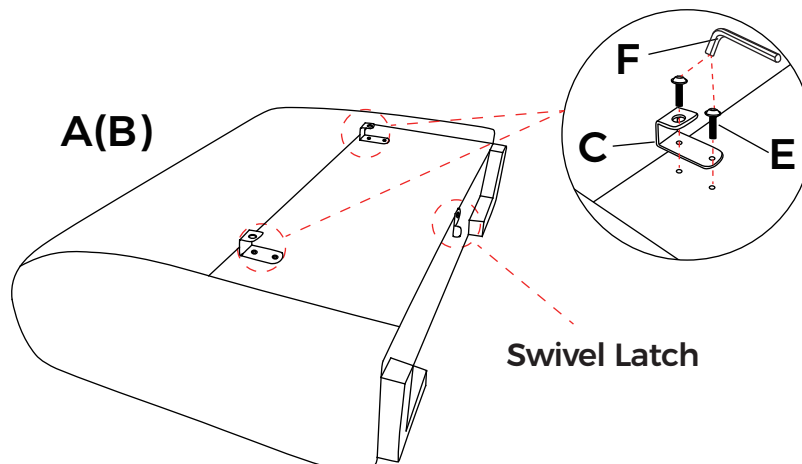
Step 1




72 hours

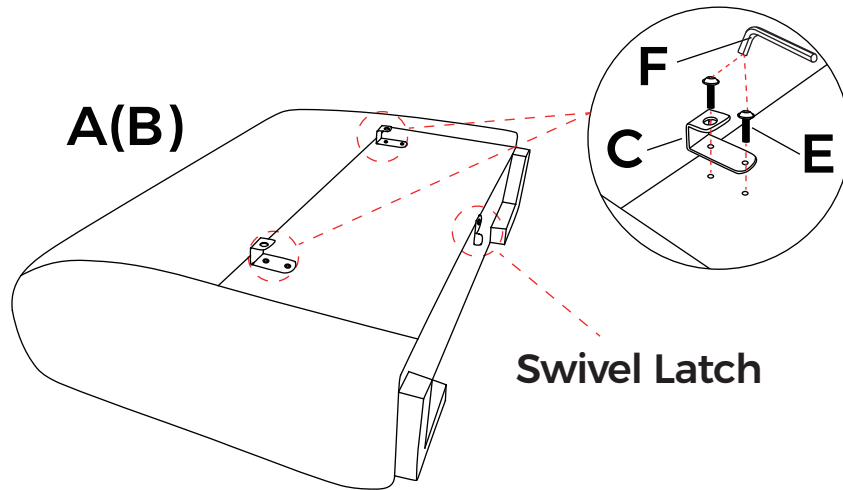
Carefully cut open the compression throw pillow (D) with scissors to avoid damaging the inner material. The vacuum-sealed cushions will fully expand within 72 hours.

Step 2



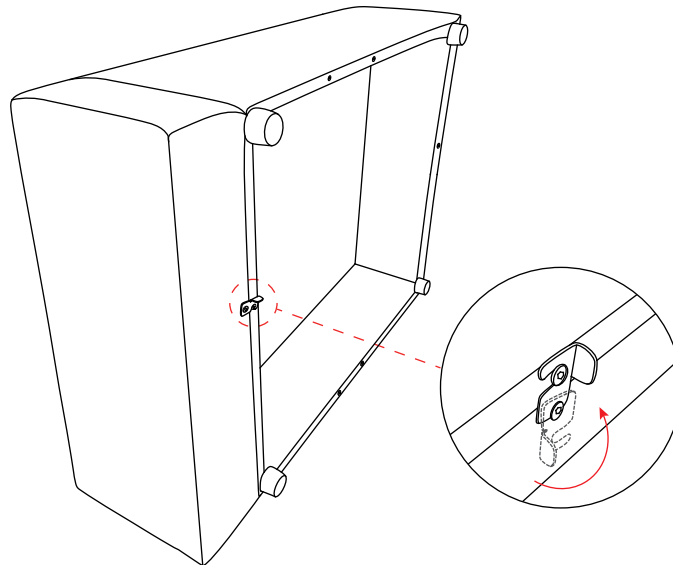
Insert the connectors (C) into the inner holes of the armrests (A, B) and tighten them using the hex key (F).

Step 3



To combine armrests with similar sofa modules, insert the connectors into the sofa slots and press down to secure.

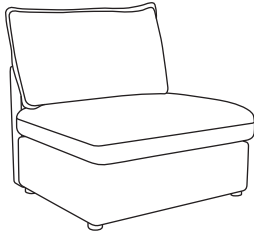
Step 4



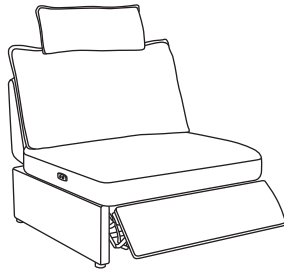
Tighten the swivel latch at the bottom of the armrest and the seat base to ensure stability.

Customize Your Sofa with Modules

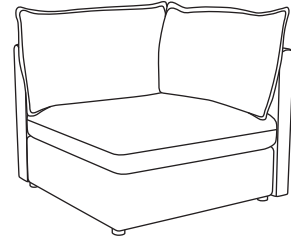
This sofa is designed for flexibility and adaptability, allowing you to tailor your sofa to fit your needs. You can easily enhance your setup with these separate modules:



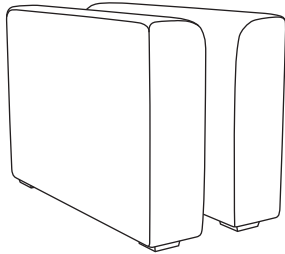
Single Seat



Power Recliner Seat



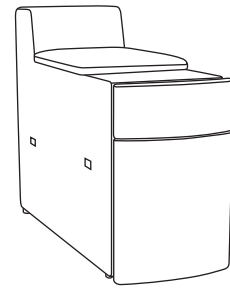
Corner Seat



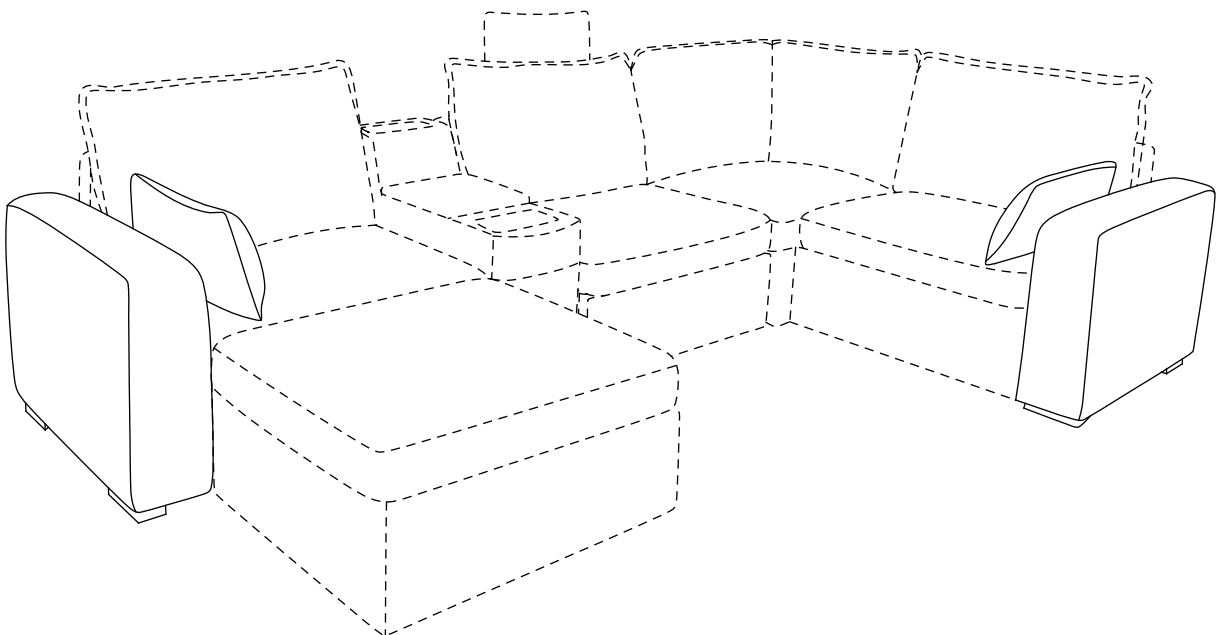
Armrest

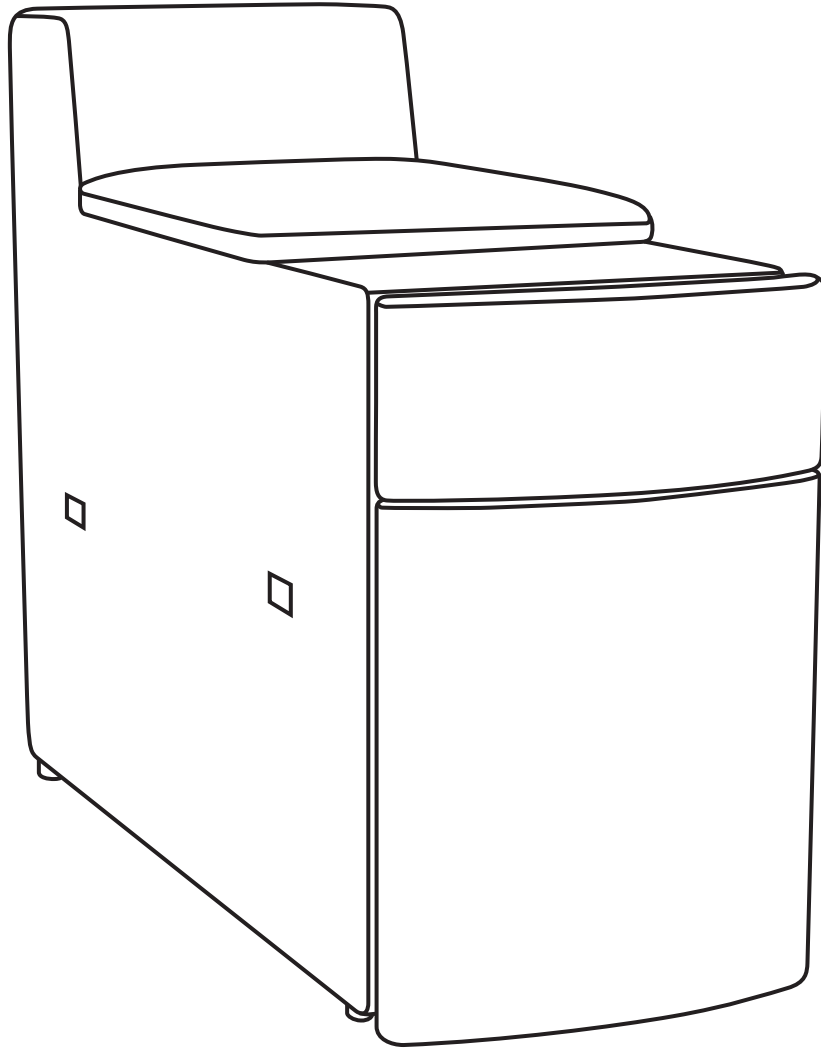


Storage Ottoman



Versatile Console





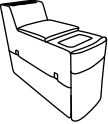



Versatile Console

Assembly Instructions - Please keep for future reference
Important - Please read these instructions before assembly

Components

Please check if all the pieces listed below are received.

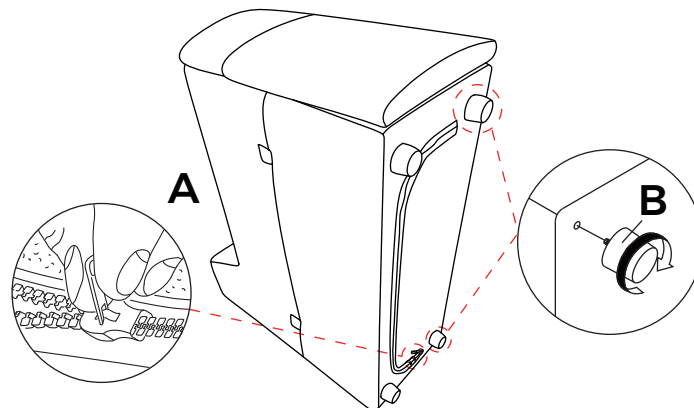
Seater Accessories

A  Side Table x1	B  Round Leg x4	C  U-shaped Connector x2	D  Adapter x1			

Assembly Instructions

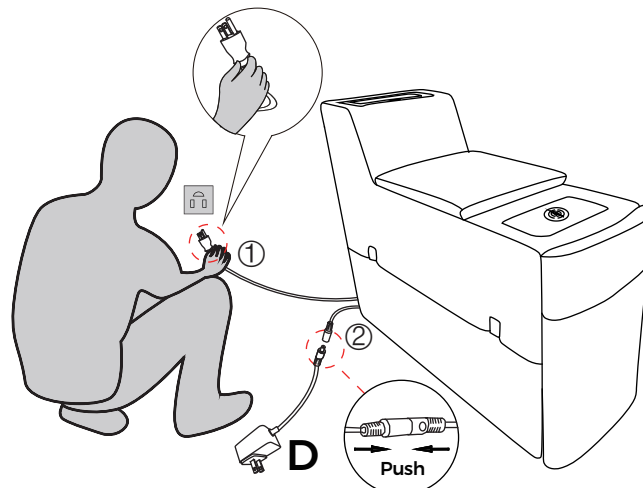
CAUTION : Inappropriate installation of screws will cause damages to the product !

Step 1



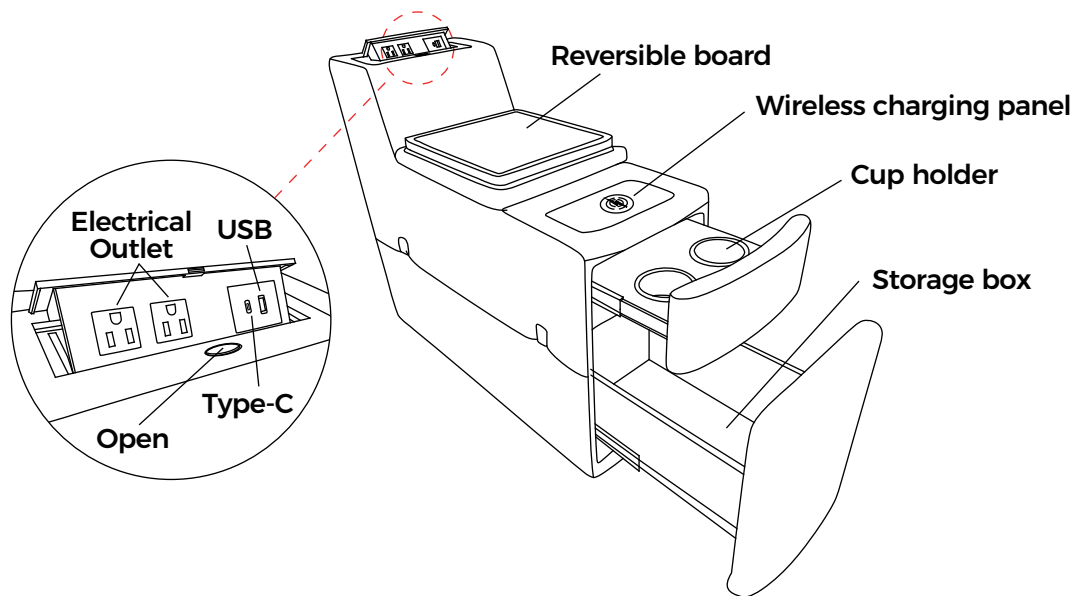
Flip the side table (A) upside down, align and secure the round feet (B).
Open the bottom zipper to access the hidden power cables.

Step 2



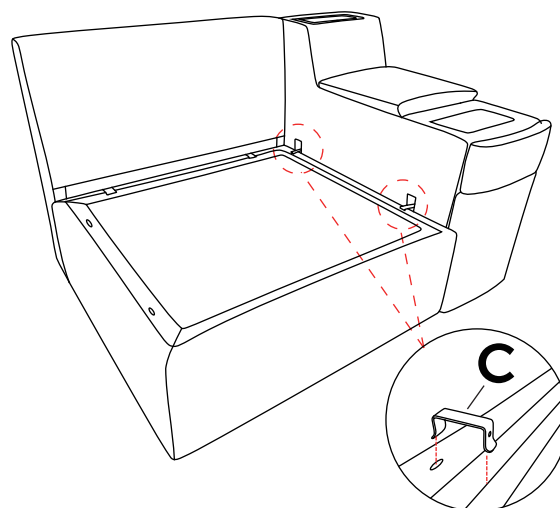
Connect cable ① to the power switch, then connect cable ② to the adapter (D),
and connect the adapter (D) to the power switch.

Step 3



The side table includes features such as a power panel, wireless charging pad, cup holder, and storage compartment. Ensure the side table is connected to power to activate these functions.

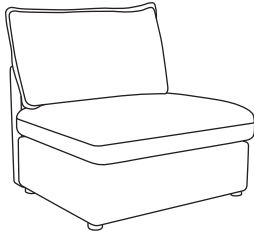
Step 4



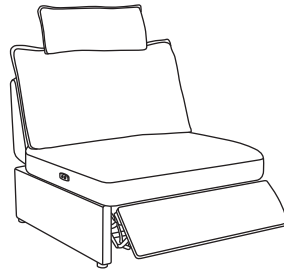
To connect with other modules, insert U-shaped connectors (C) into the slots on the side table and module.

Customize Your Sofa with Modules

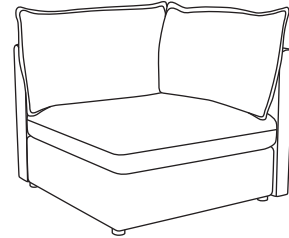
This sofa is designed for flexibility and adaptability, allowing you to tailor your sofa to fit your needs. You can easily enhance your setup with these separate modules:



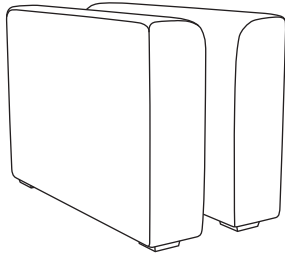
Single Seat



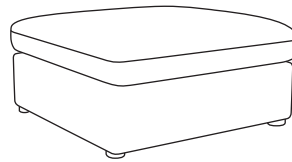
Power Recliner Seat



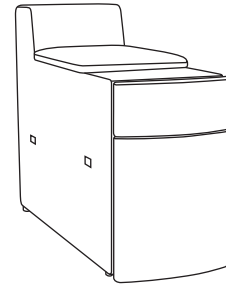
Corner Seat



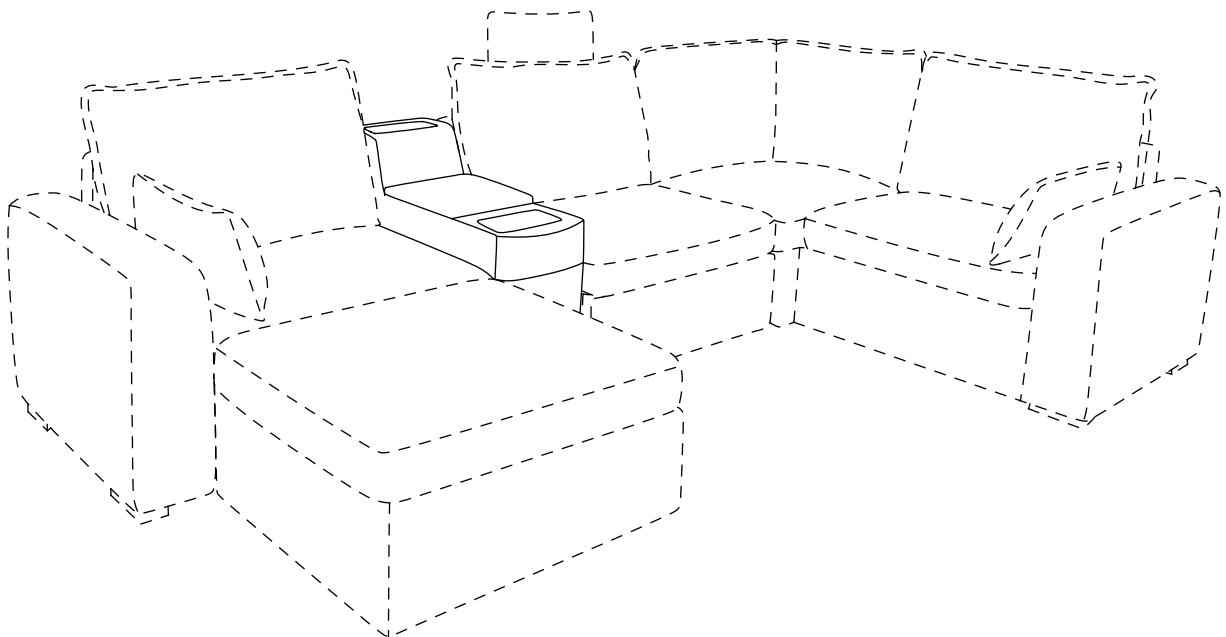
Armrest

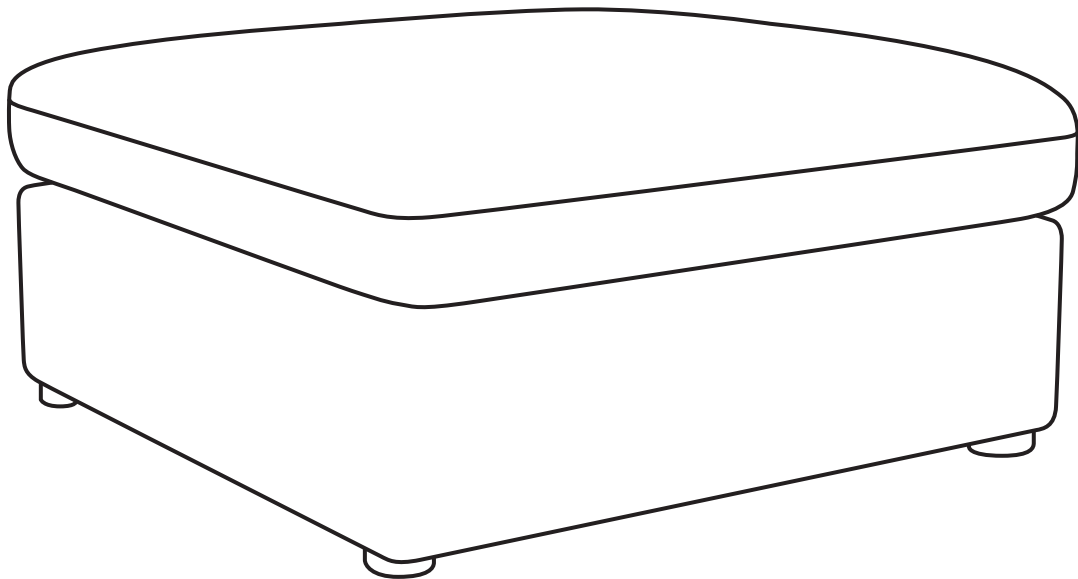


Storage Ottoman



Versatile Console





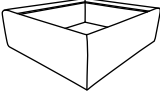

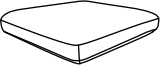

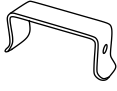
Ottoman

Assembly Instructions - Please keep for future reference
Important - Please read these instructions before assembly

Components

Please check if all the pieces listed below are received.

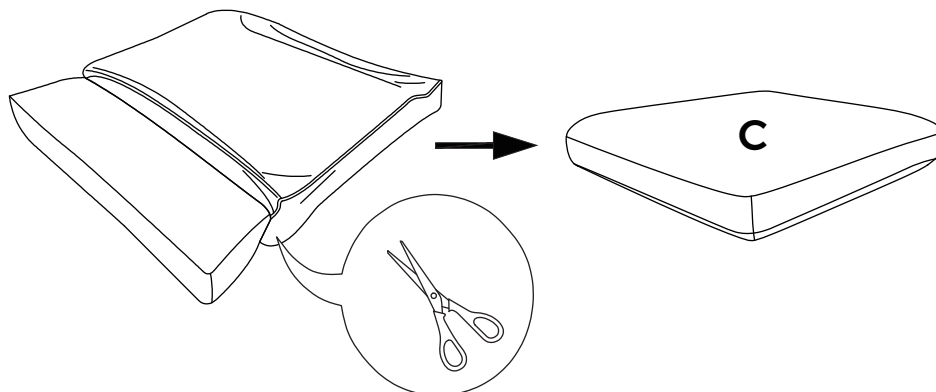
Seater Accessories

A	B	C	D	E		
						
Seat Base x1	Pull Plate x1	Seat Cushion x1	Round Leg x4	U-shaped Connector x2		

Assembly Instructions

CAUTION : Inappropriate installation of screws will cause damages to the product !

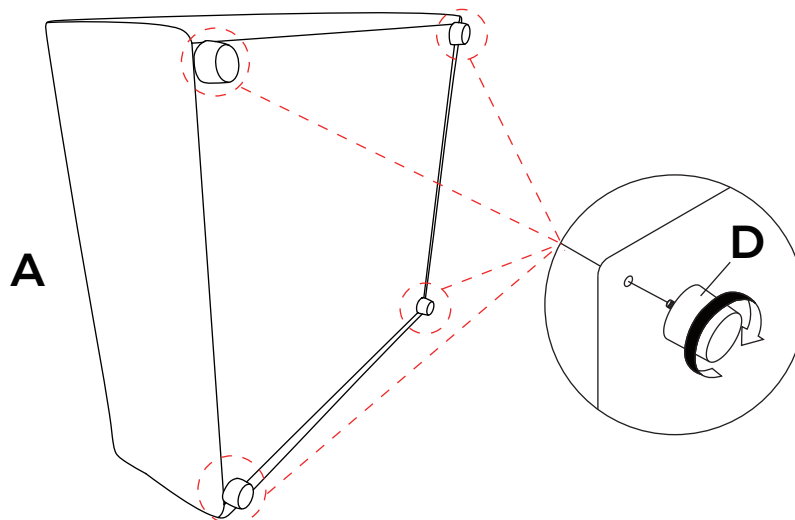
Step 1




72 hours

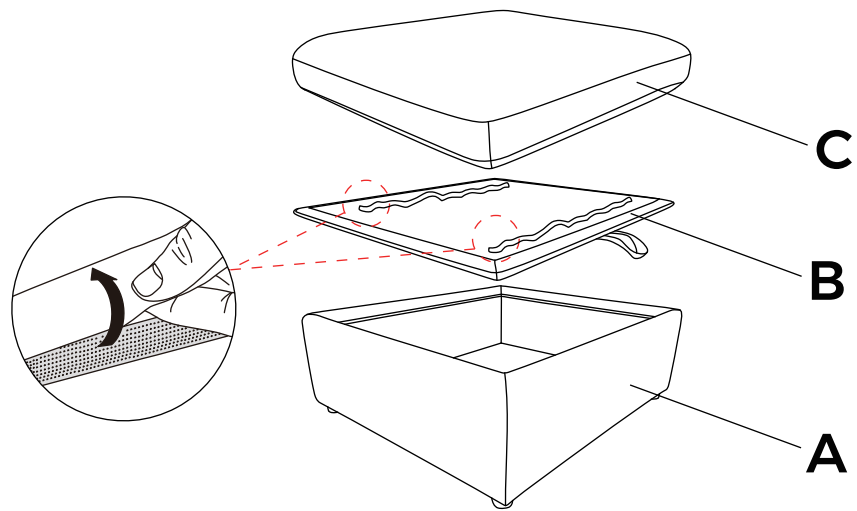
Carefully cut open the compression bags (C) with scissors to avoid damaging the inner material. The vacuum-sealed cushions will fully expand within 72 hours.

Step 2



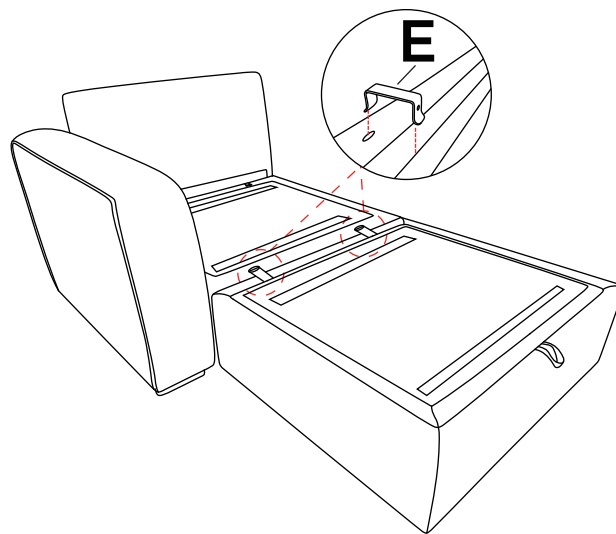
Flip the seat base (A), align and secure the round feet (D) to the bottom.

Step 3



Place the pull plate (B) on the seat frame (A) and add the seat cushion (C).
Remove the fabric covering the Velcro to secure the cushion more firmly.

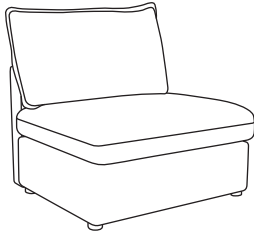
Step 4



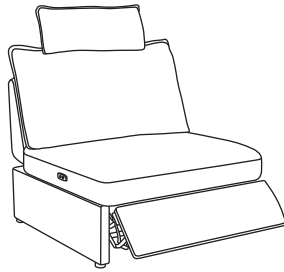
Use U-shaped connectors (E) to connect the ottoman to other modules.

Customize Your Sofa with Modules

This sofa is designed for flexibility and adaptability, allowing you to tailor your sofa to fit your needs. You can easily enhance your setup with these separate modules:



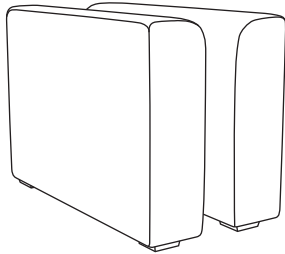
Single Seat



Power Recliner Seat



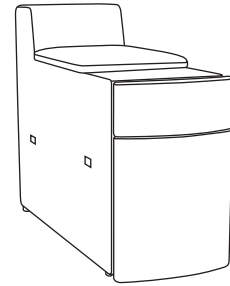
Corner Seat



Armrest



Storage Ottoman



Versatile Console

