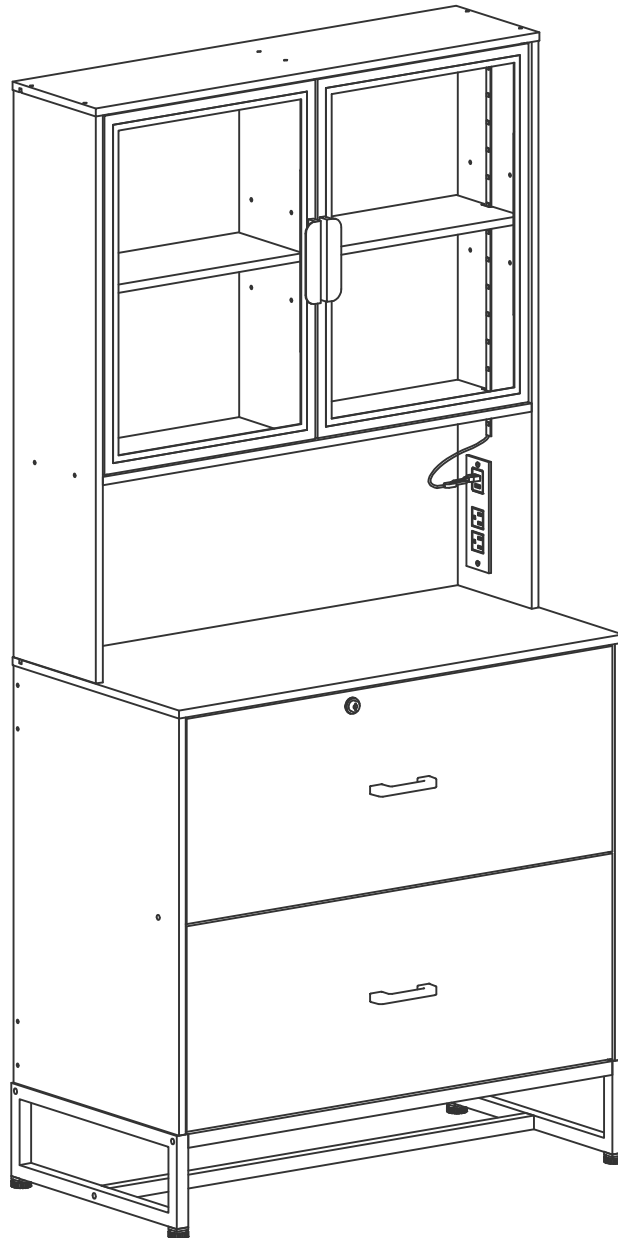
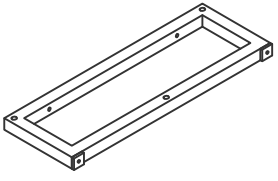
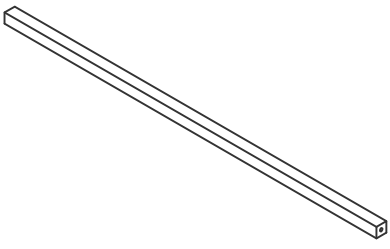
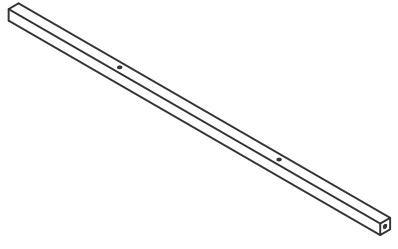
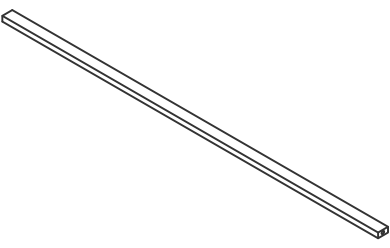
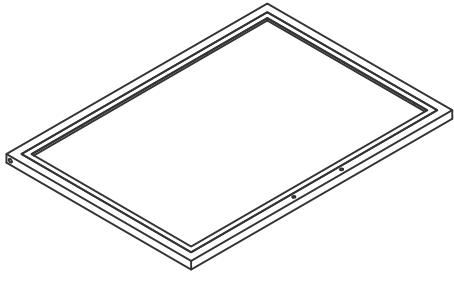
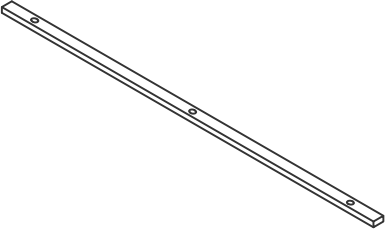
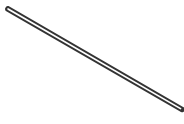
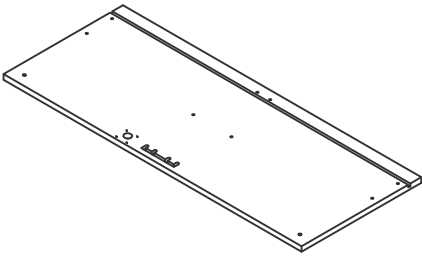
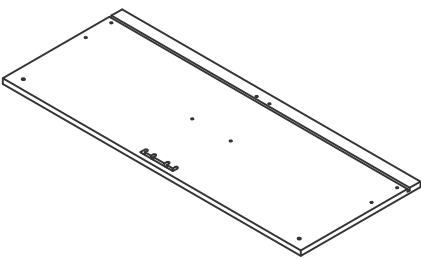
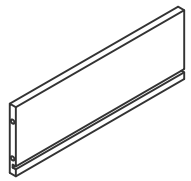
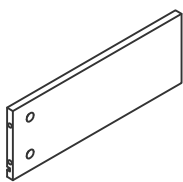
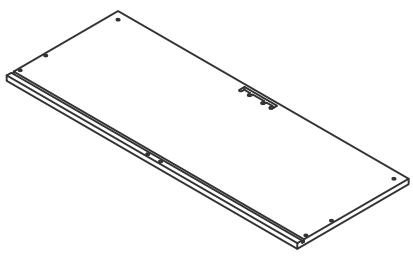
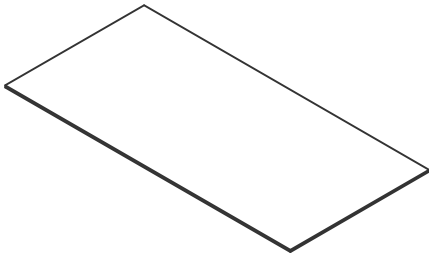
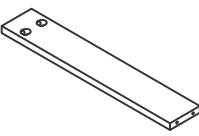
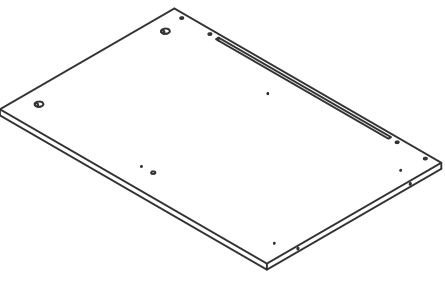


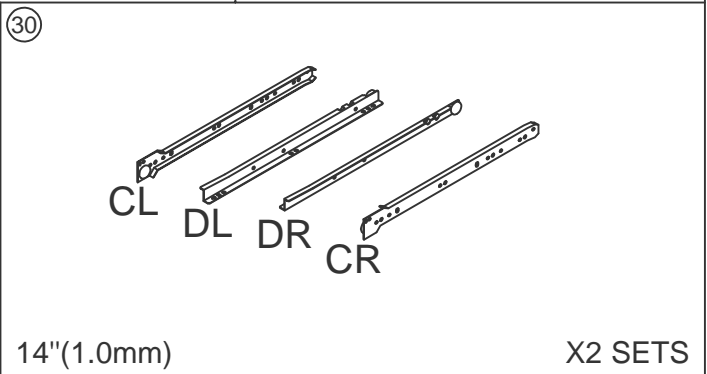
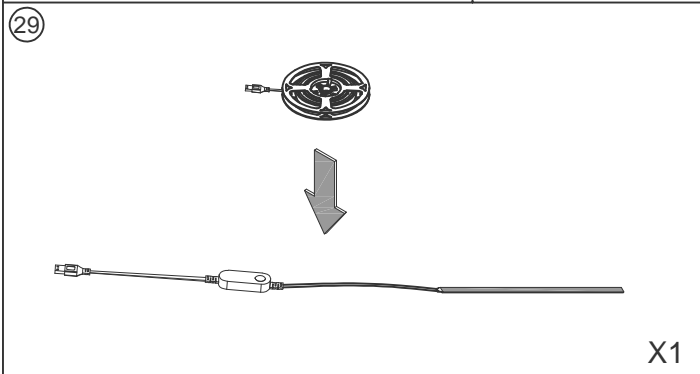
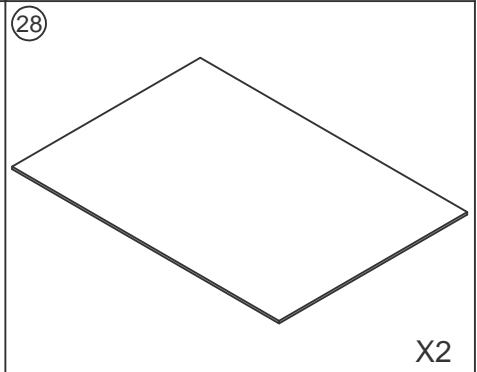
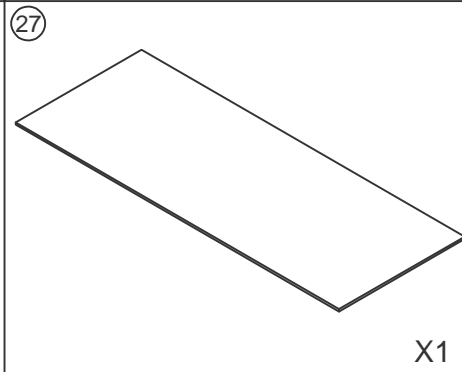
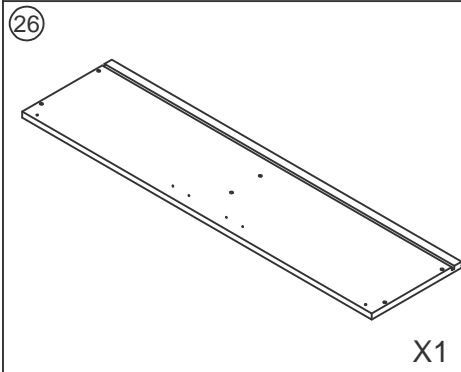
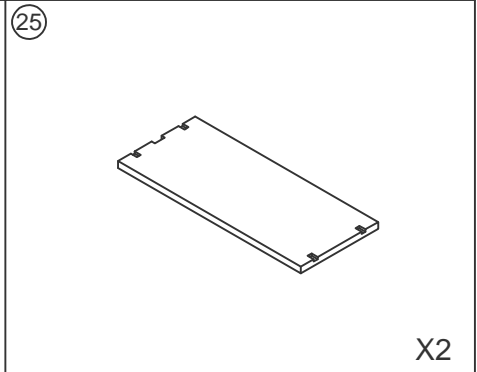
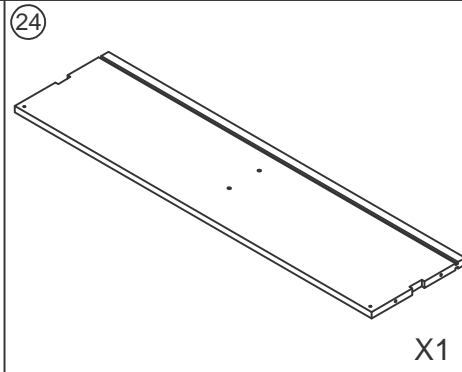
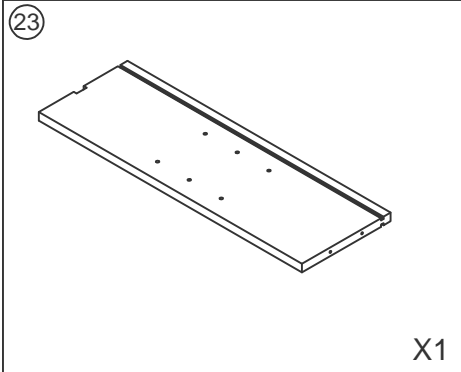
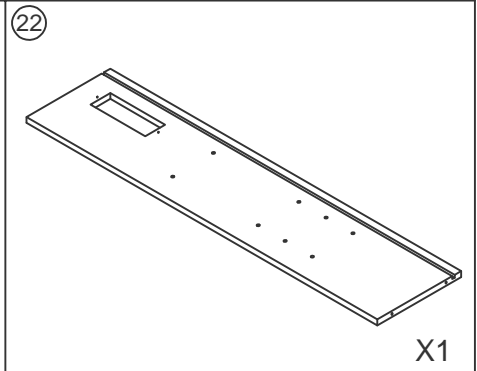
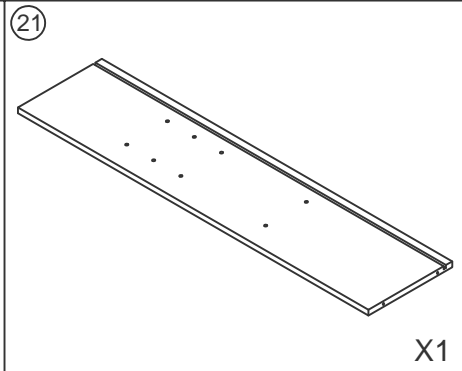
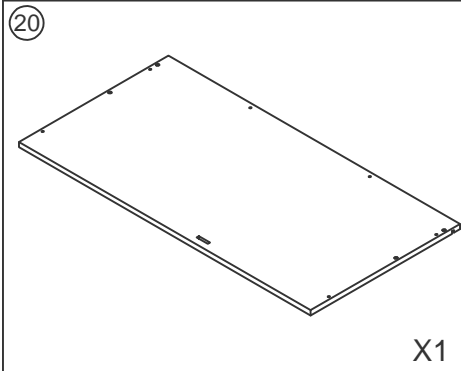
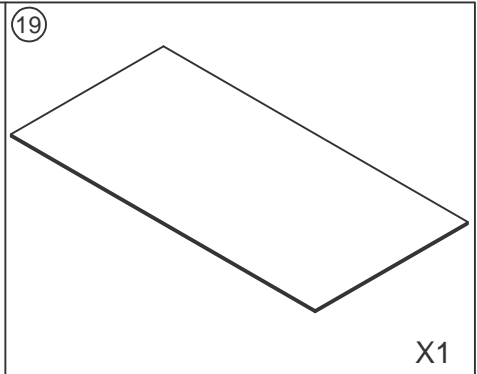
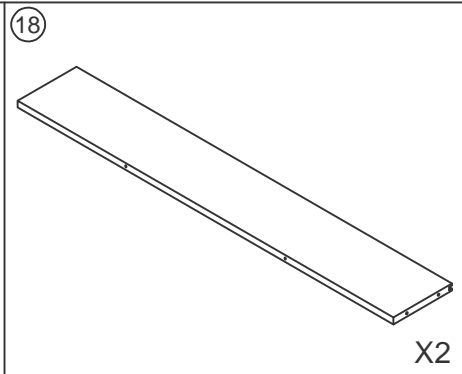
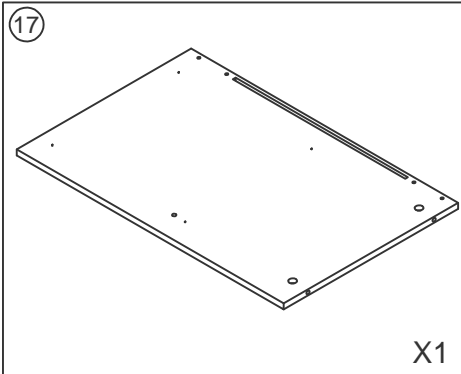
# Filing Cabinets



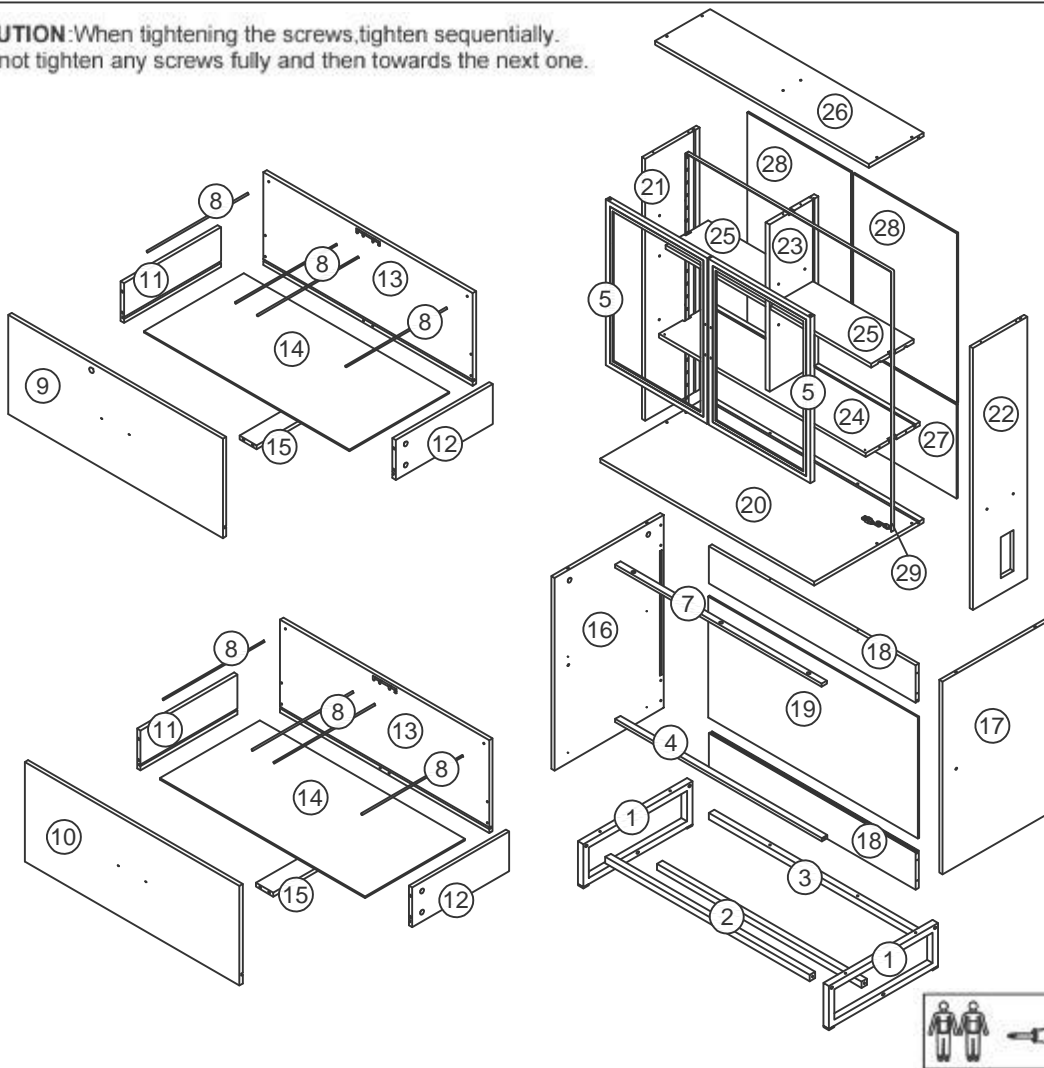
**GAUTION :** When tightening the screws , tighten sequentially .  
Do not tighten any screws fully and then towards the next one .  
When every part is OK , then tighten al the screws.



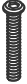



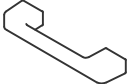

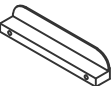





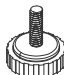



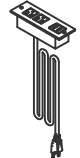




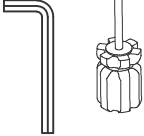


<p>①</p>  <p>X2</p>	<p>②</p>  <p>X2</p>	<p>③</p>  <p>X1</p>
<p>④</p>  <p>X1</p>	<p>⑤</p>  <p>X2</p>	<p>⑦</p>  <p>X1</p>
<p>⑧</p>  <p>X8</p>	<p>⑨</p>  <p>X1</p>	<p>⑩</p>  <p>X1</p>
<p>⑪</p>  <p>X2</p>	<p>⑫</p>  <p>X2</p>	<p>⑬</p>  <p>X2</p>
<p>⑭</p>  <p>X2</p>	<p>⑮</p>  <p>X2</p>	<p>⑯</p>  <p>X1</p>



**GAUTION:** When tightening the screws, tighten sequentially. Do not tighten any screws fully and then towards the next one.

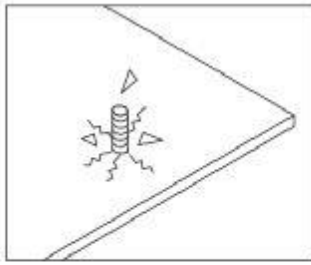


<p><b>A</b> M5X42</p>  <p>16 PCS</p>	<p><b>B</b> Ø15X10</p>  <p>16 PCS</p>	<p><b>C</b> M6X40</p>  <p>8 PCS</p>	<p><b>D</b></p>  <p>8 PCS</p>	<p><b>E</b> M5X40</p>  <p>46 PCS</p>	<p><b>F</b> M4X15</p>  <p>The handle screw of the drawers</p> <p>4 PCS</p>	<p><b>G</b></p>  <p>2 PCS</p>	<p><b>H</b> M4X18</p>  <p>The handle screw of the doors</p> <p>4 PCS</p>
<p><b>J</b></p>  <p>2 PCS</p>	<p><b>K</b> M3.5X12</p>  <p>18 PCS</p>	<p><b>L</b> M3.5X14</p>  <p>24 PCS</p>	<p><b>M</b></p>  <p>20 PCS</p>	<p><b>N</b></p>  <p>2 PCS</p>	<p><b>P</b></p>  <p>4 PCS</p>	<p><b>Q</b> M6</p>  <p>4 PCS</p>	<p><b>R</b> M3X16</p>  <p>4 PCS</p>
<p><b>S</b></p>  <p>1 SET</p>	<p><b>T</b></p>  <p>11 PCS</p>	<p><b>U</b></p>  <p>1 PCS</p>	<p><b>V</b></p>  <p>2 PCS</p>	<p><b>W</b></p>  <p>2 PCS</p>	<p><b>X</b> M6X20</p>  <p>3 PCS</p>	<p><b>3#</b></p>  <p>1 PCS</p>	<p><b>4#</b></p>  <p>1 SETS</p>

### 1. Matters needing attention

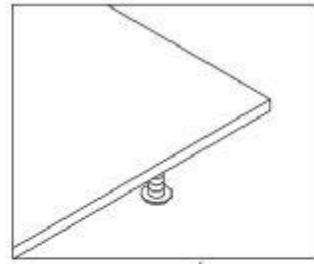


Be sure to use the proper screws to avoid damaging the parts



×

Wrong screws can cause the plank to crack

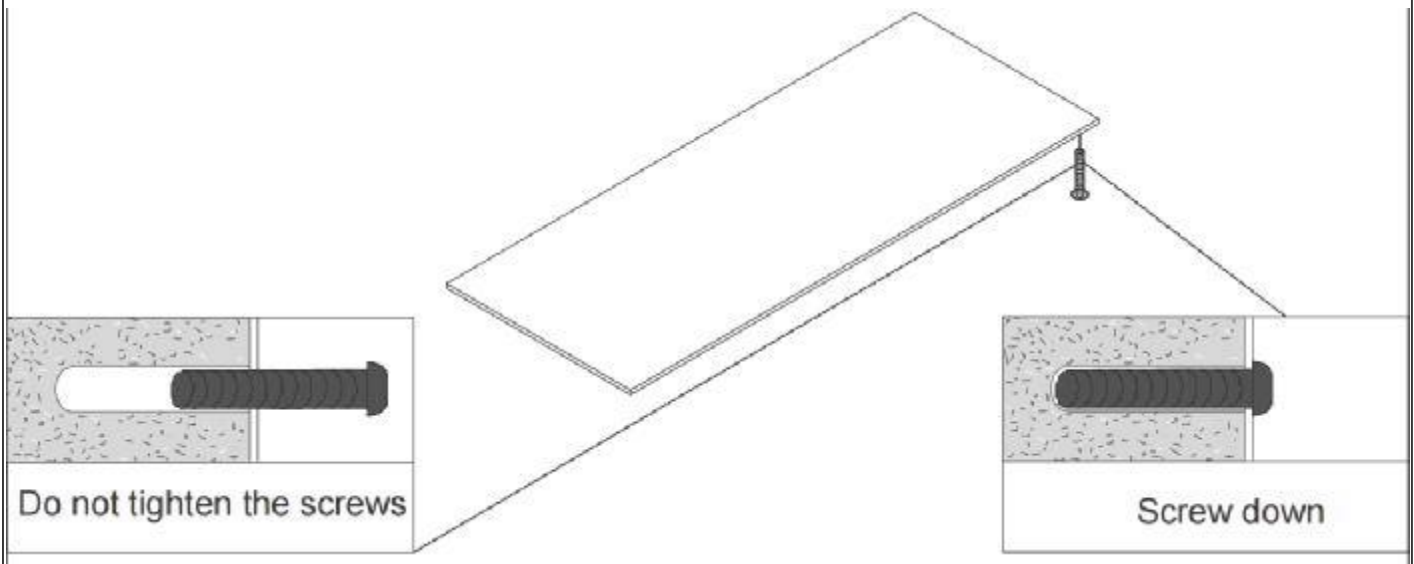


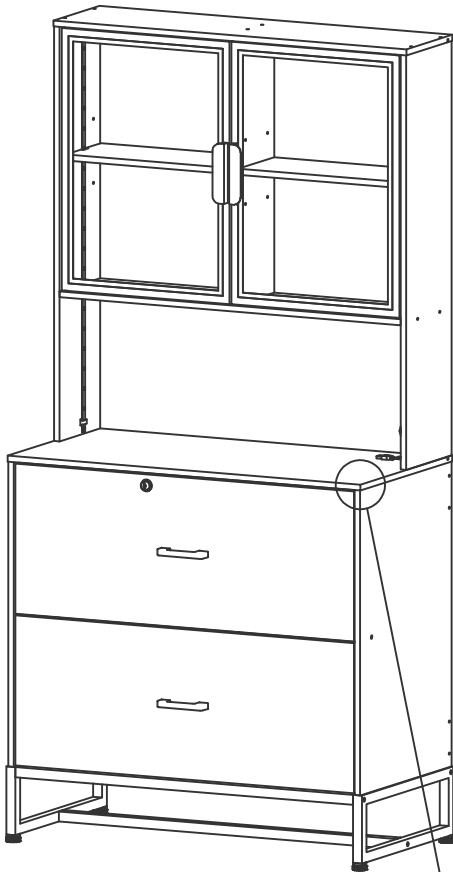
✓

The right screw is the right size

## Matters needing attention

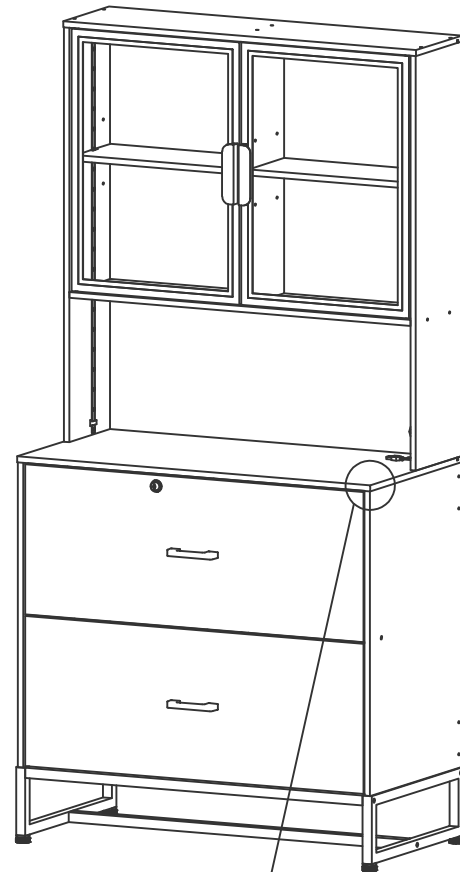
- (1) When installing the screws in the installation step, the screws do not need to be tightened. After this installation step is confirmed and the holes are aligned, then tighten all the screws.
- (2) If the screws are tightened during the installation process, it will cause problems such as misalignment of the screw holes and misalignment of the board in subsequent installations.





perfect

state 1

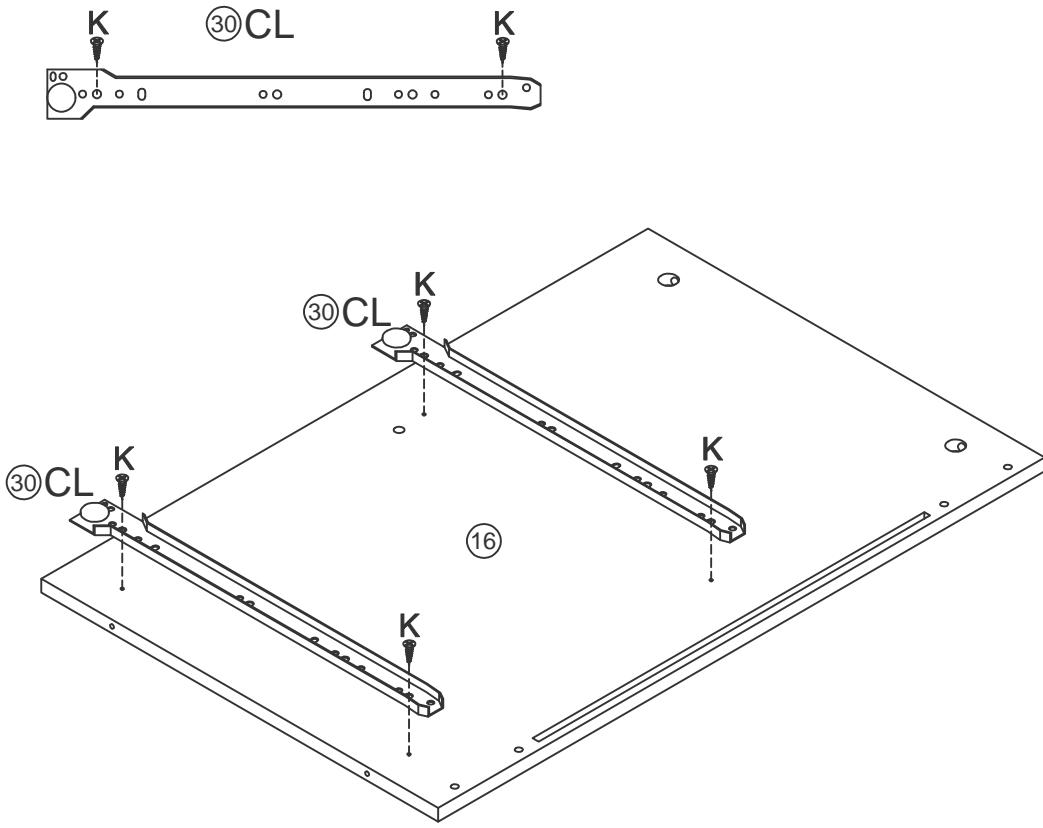


Flawed

state 2

If you encounter "state 2" during the installation process, please loosen the corresponding screws of each part in time, adjust slowly, and then slowly tighten all the screws after the adjustment is completed.

1

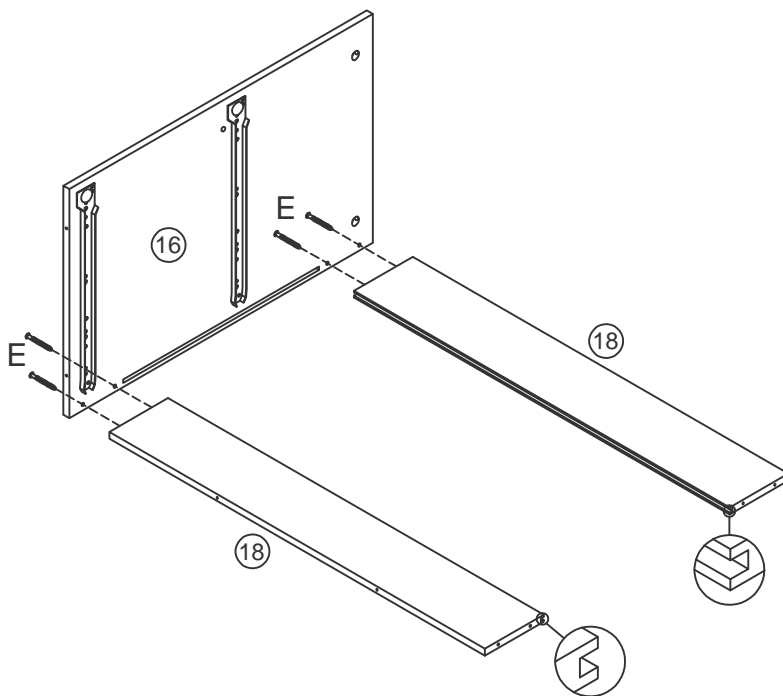


K M3.5X12



4 PCS

2

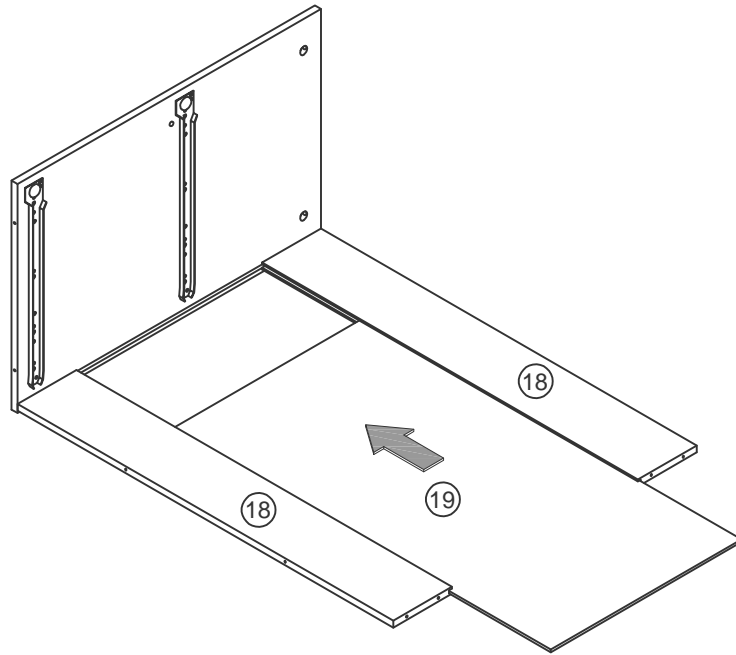


E M5X40



4 PCS

3



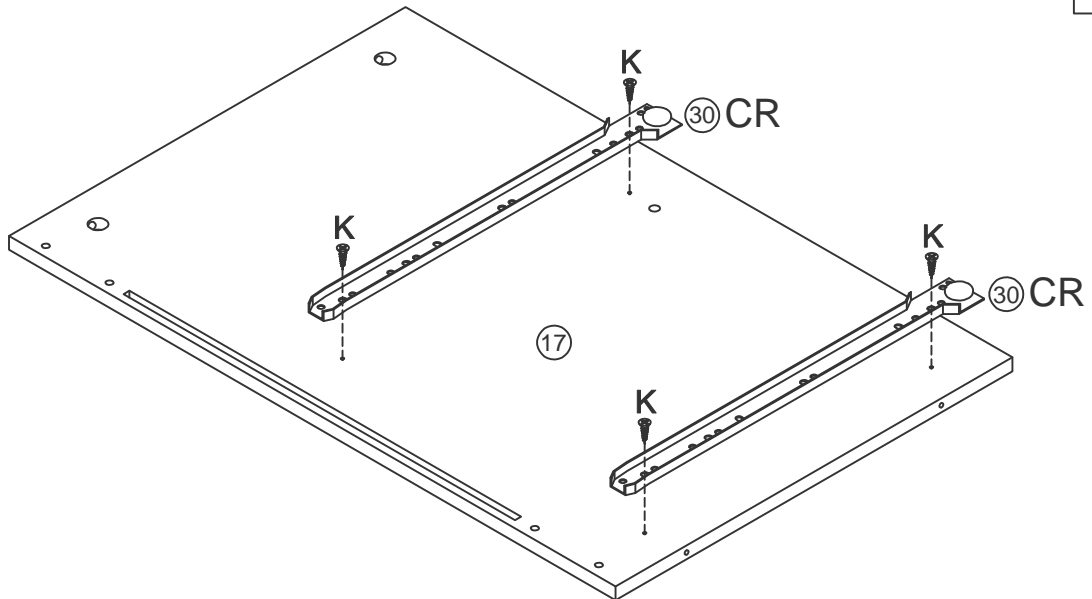
4



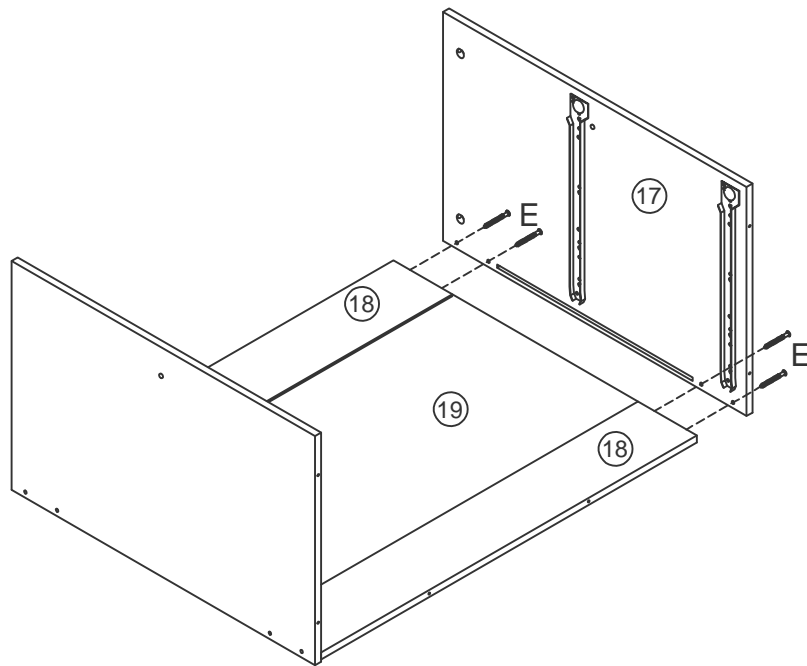
K M3.5X12



4 PCS



5

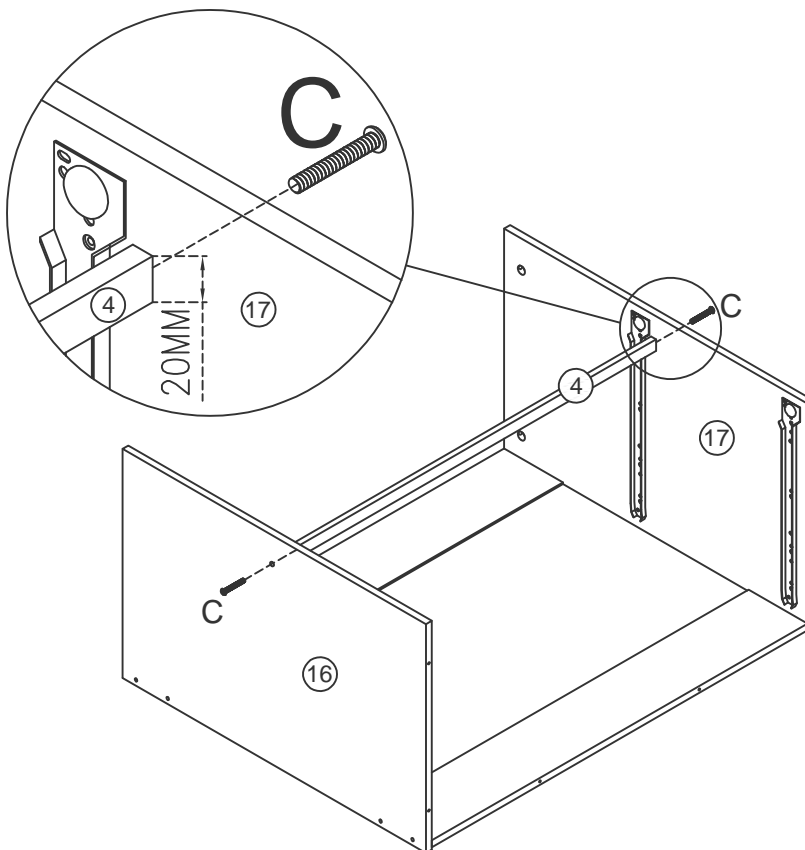


E M5X40



4 PCS

6



C M6X40



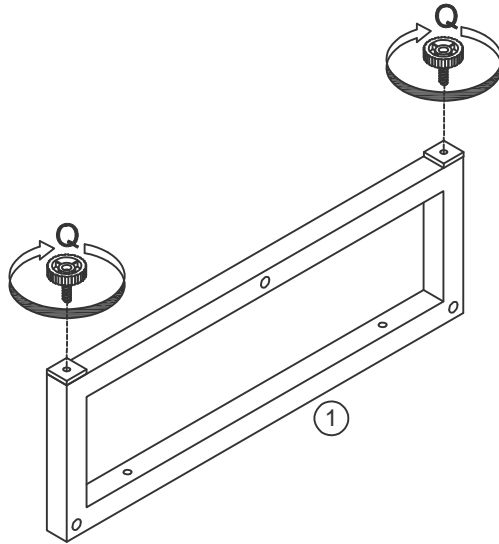
2 PCS

7

Q M6



4 PCS



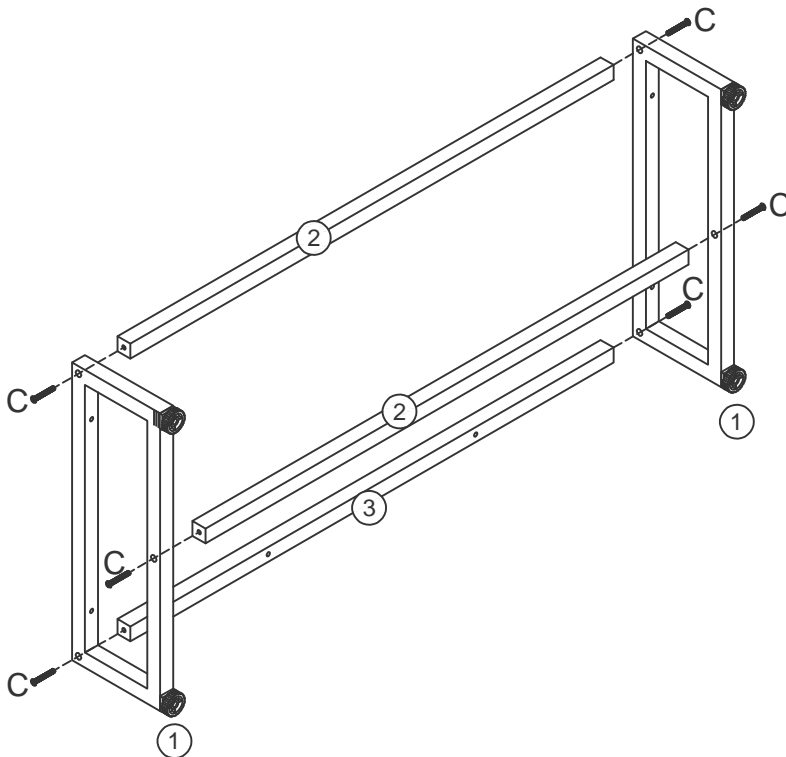
X2

8

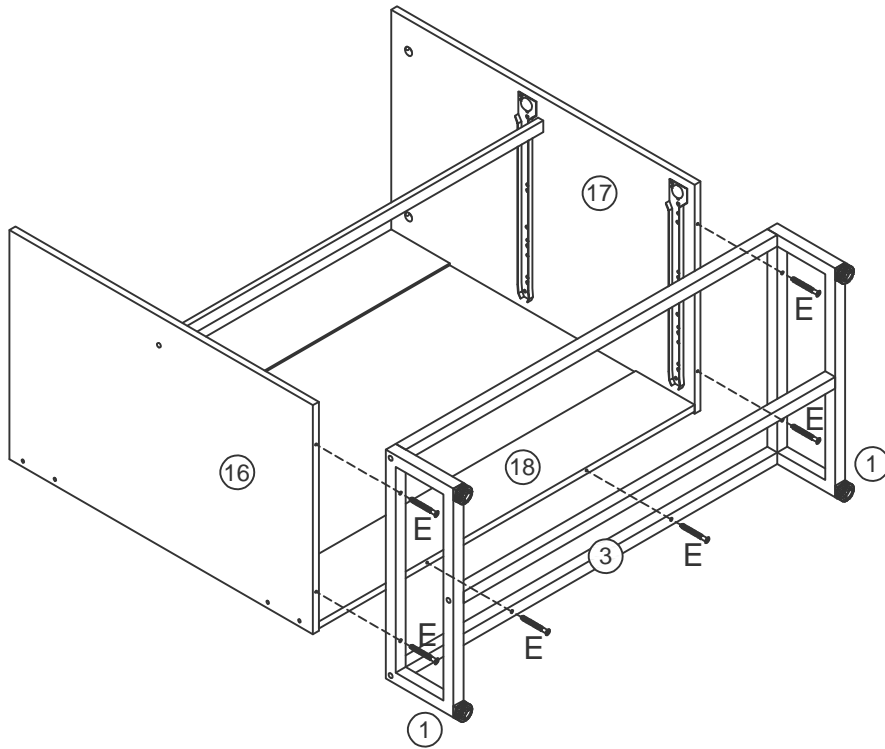
C M6X40



6 PCS



9

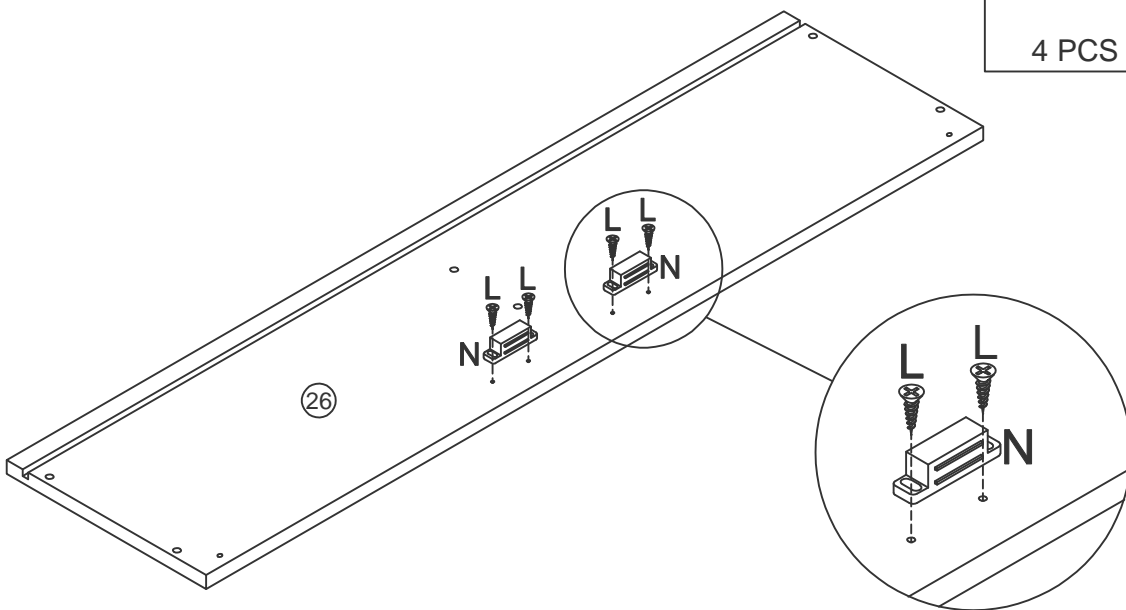


E M5X40



6 PCS

10



L M3.5X14

N



4 PCS

2 PCS

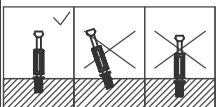
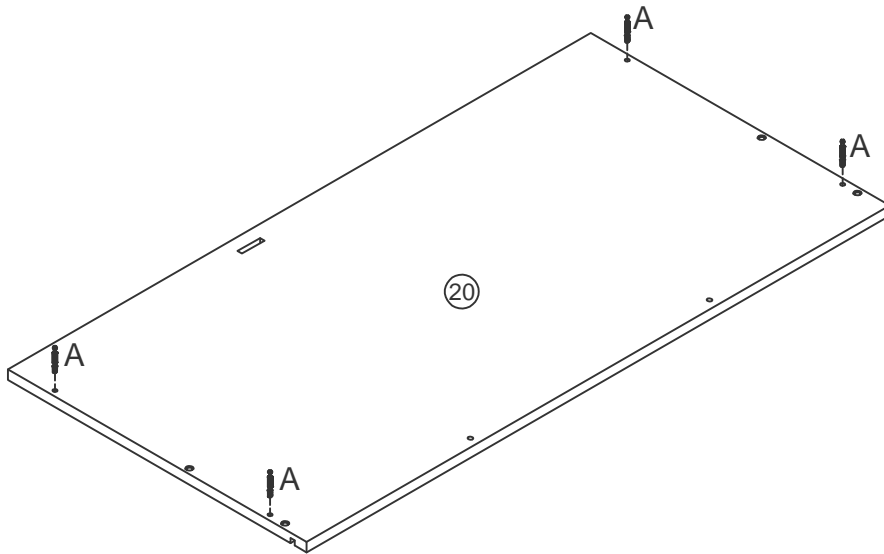


11

A M5X42



4 PCS

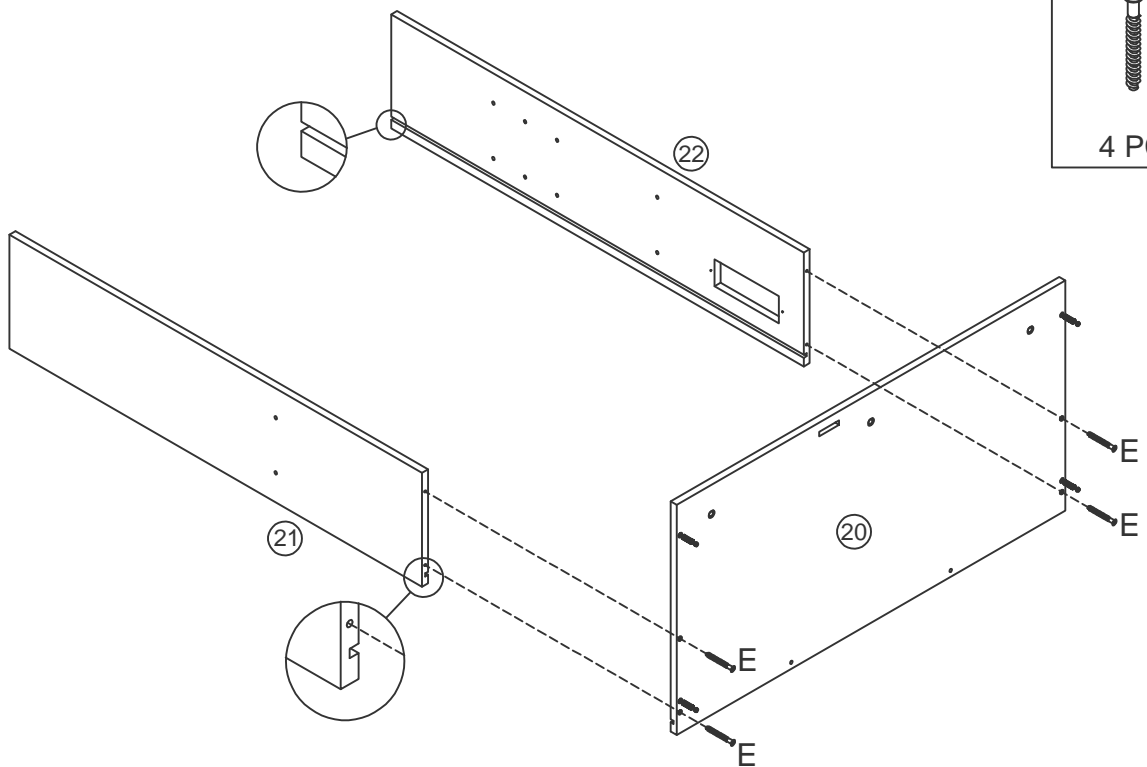


12



E M5X40

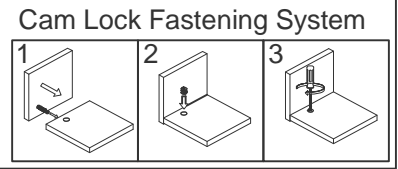
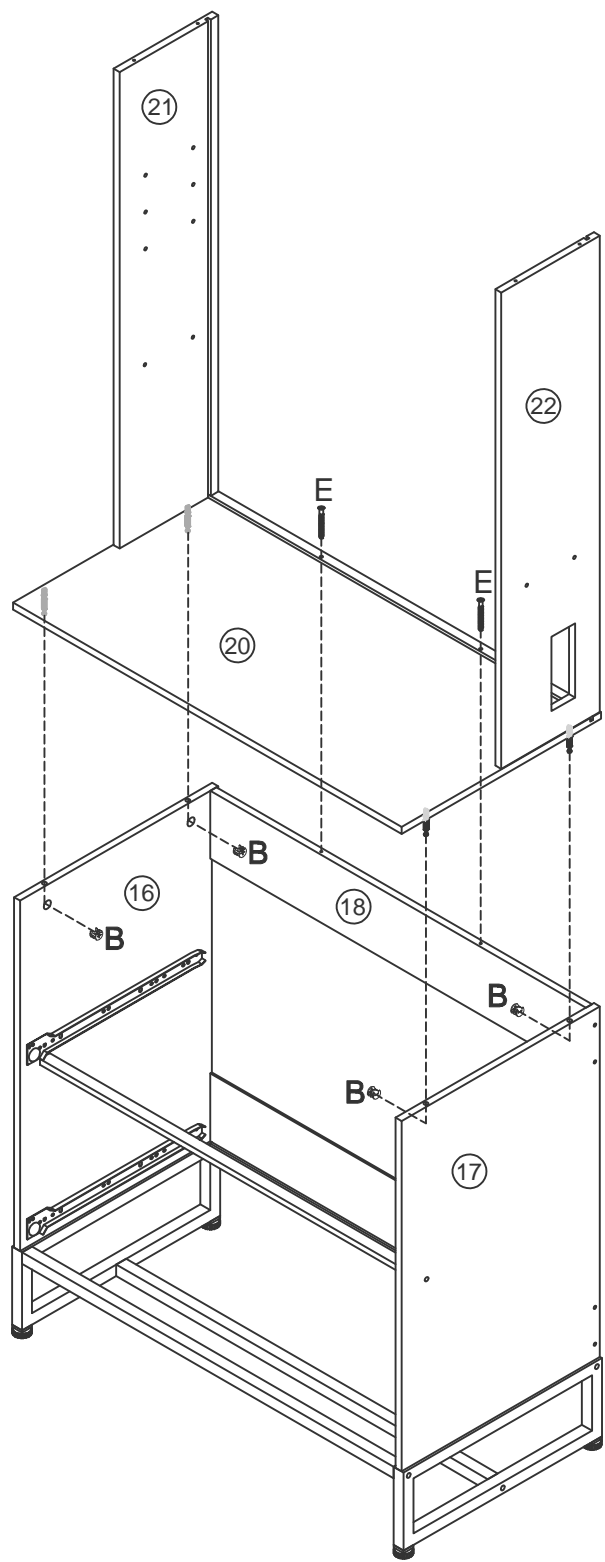


4 PCS

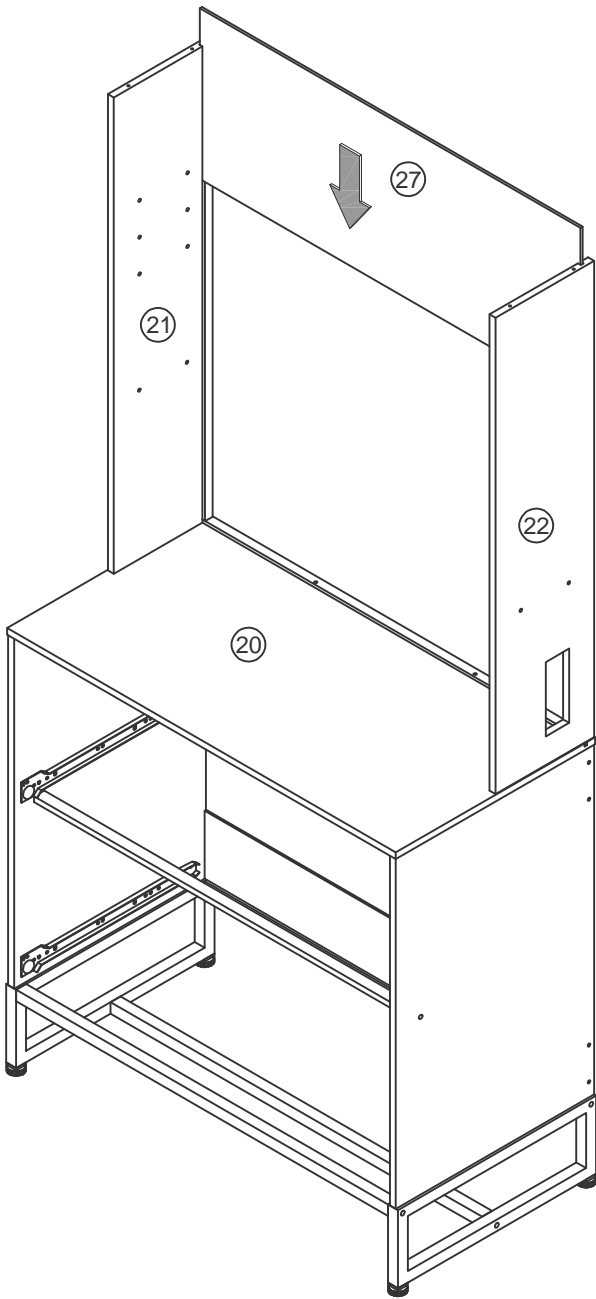


13

<b>B</b> Ø15X10	<b>E</b> M5X40
	
4 PCS	2 PCS



14

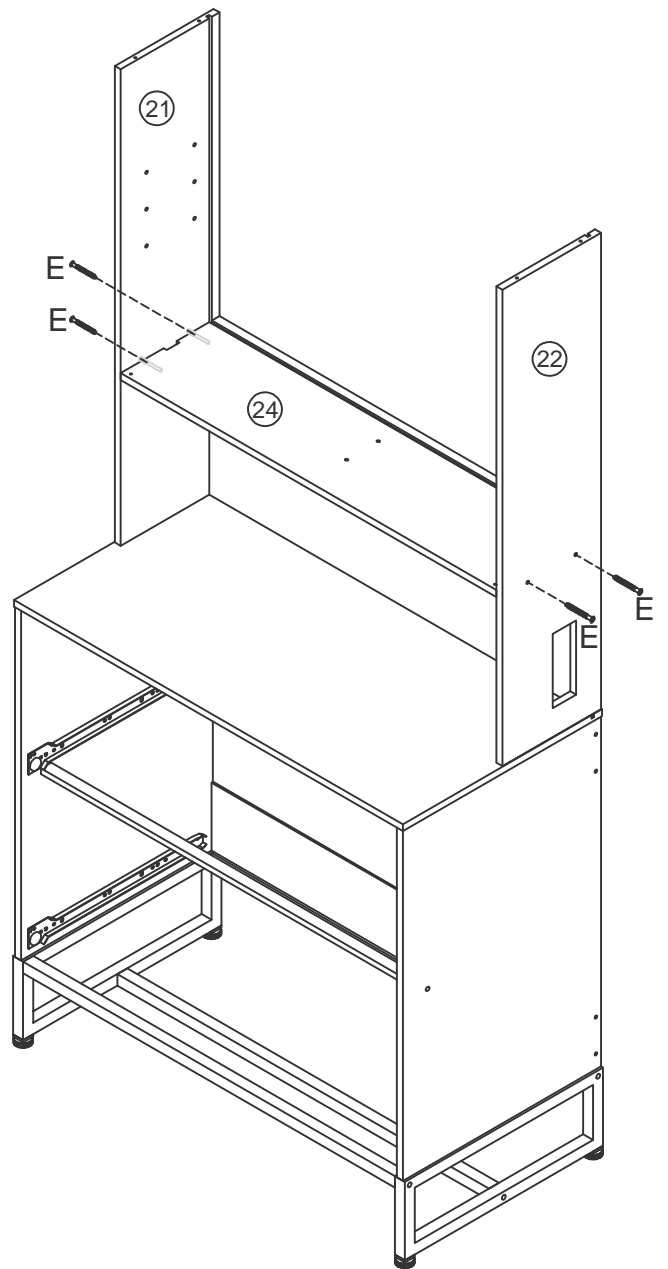


15

E M5X40



4 PCS

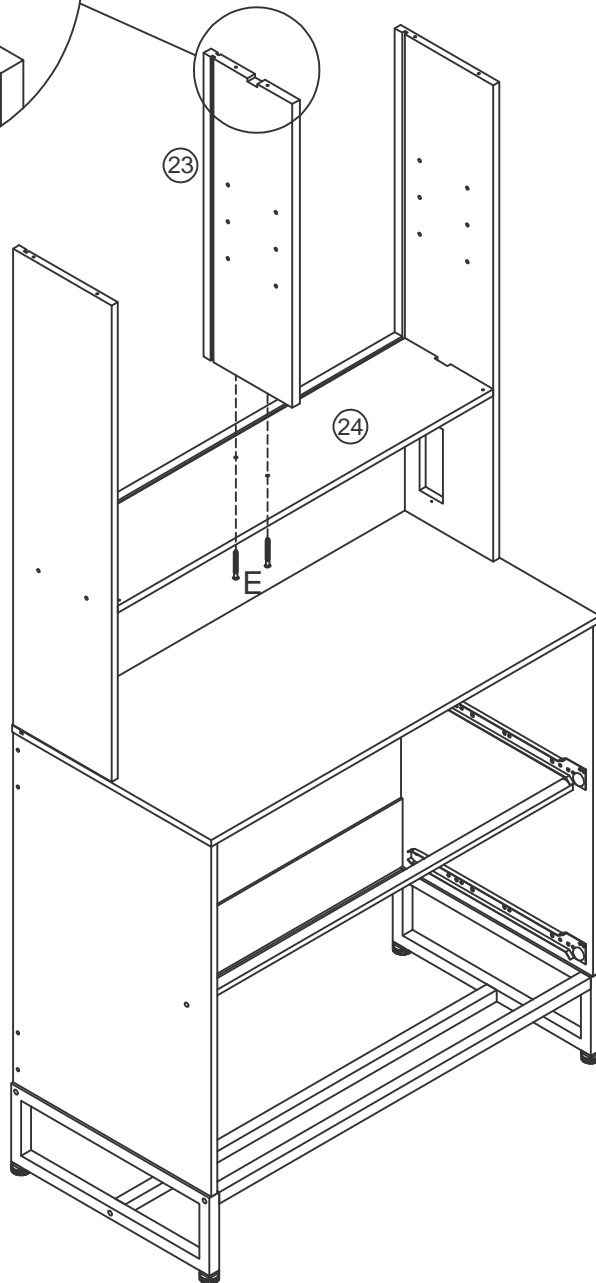
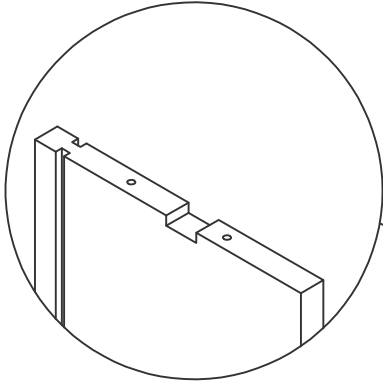


16

E M5X40

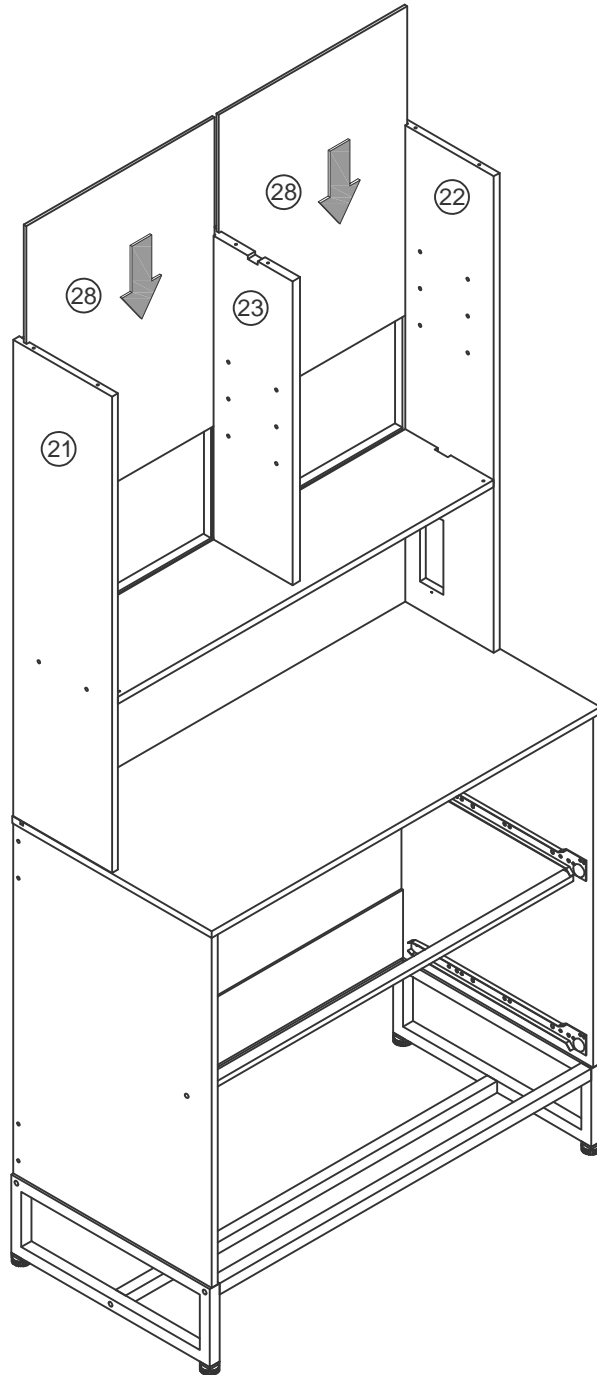


2 PCS





17



18

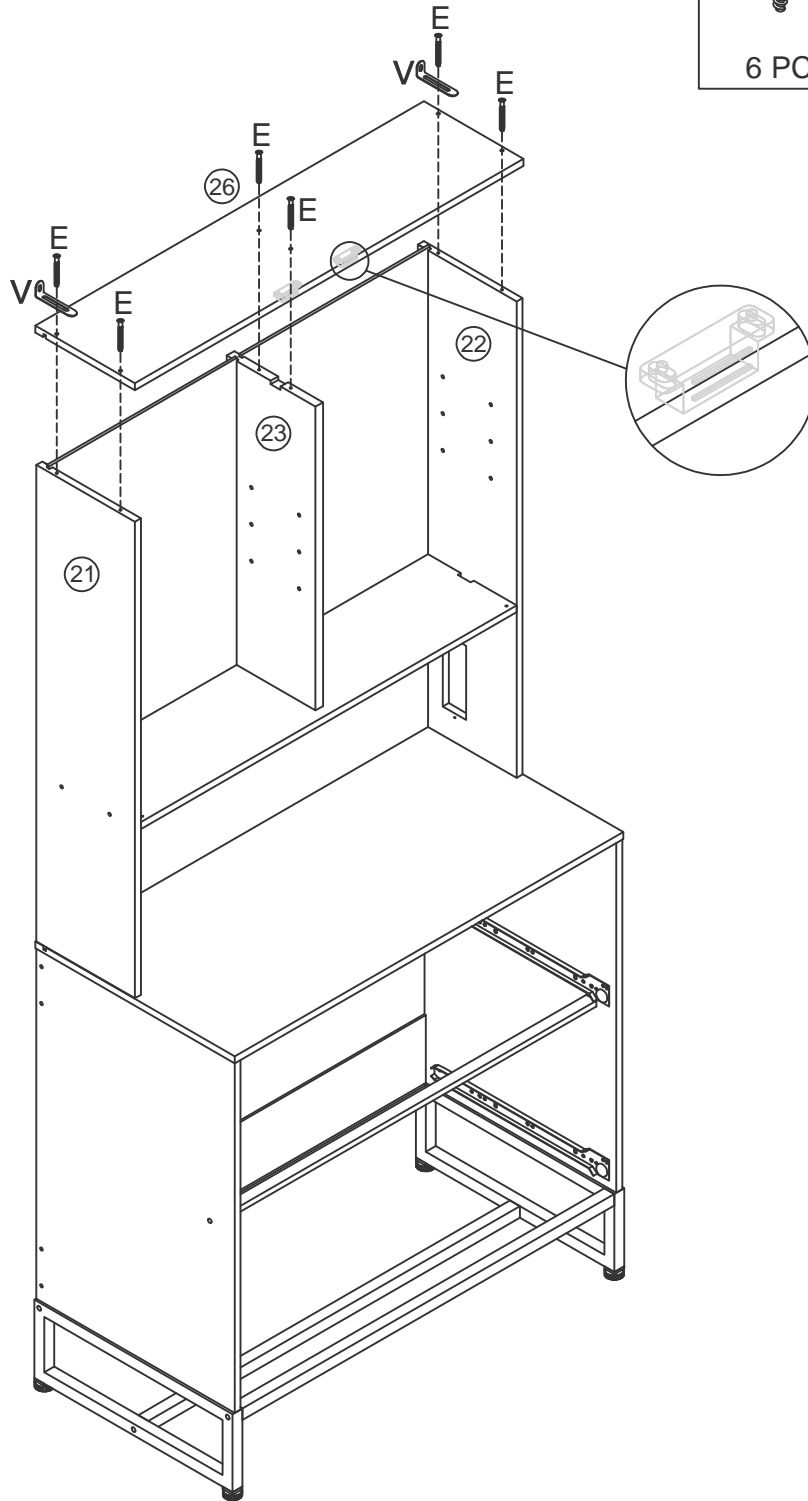
E M5X40

V



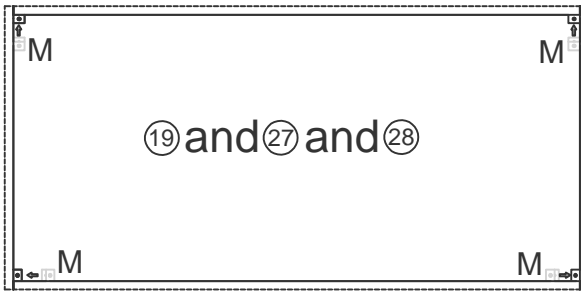
6 PCS

2 PCS



19

Schematic diagram of component installation



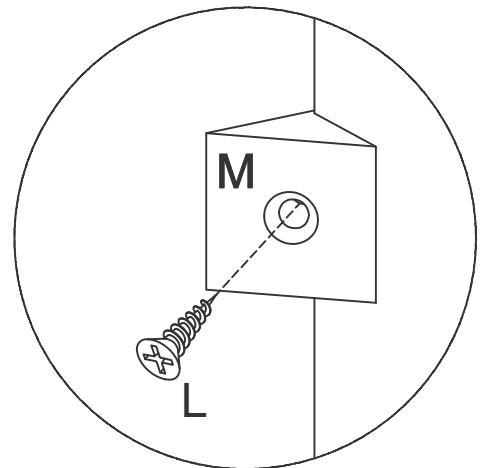
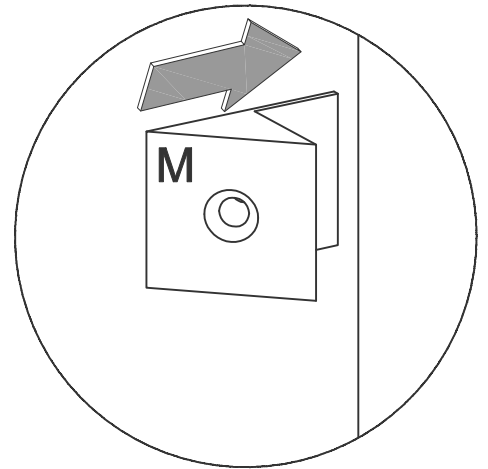
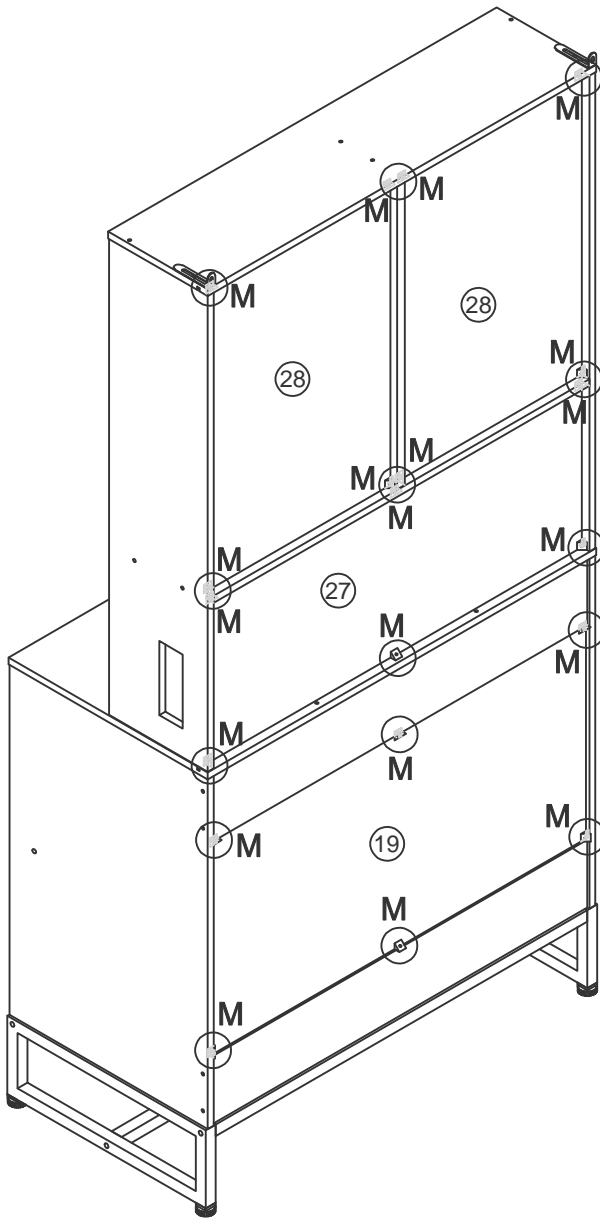
L M3.5X14

M

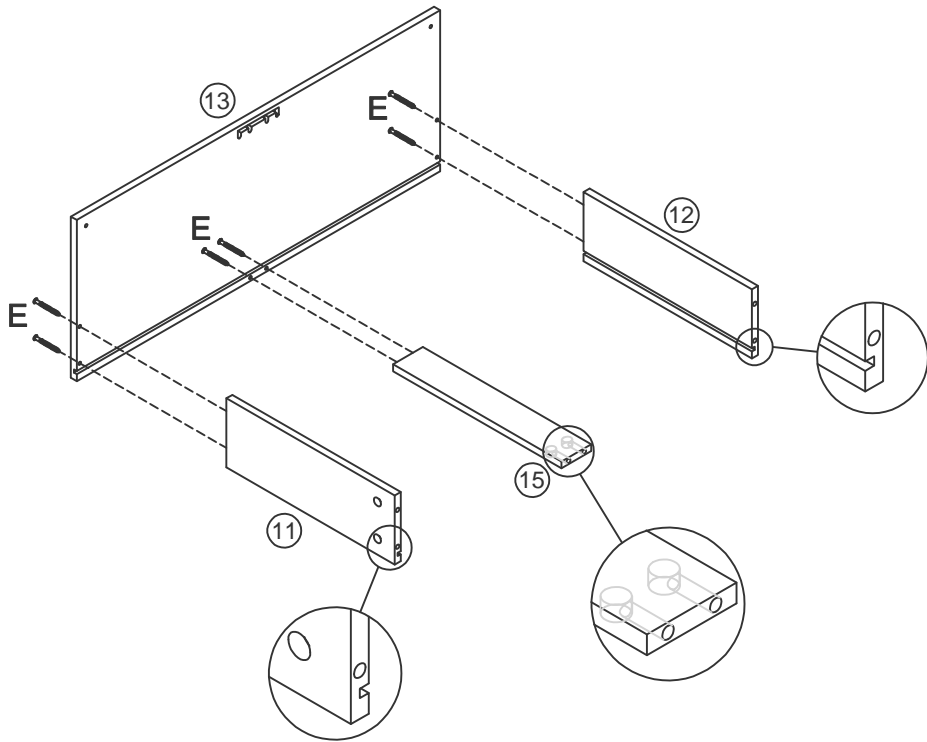


20 PCS

20 PCS



20



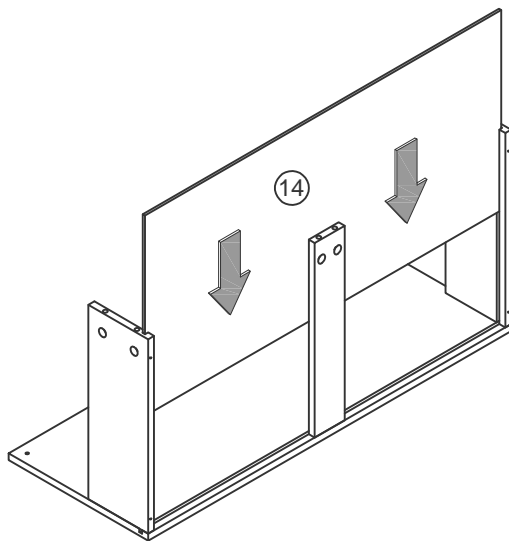
E M5X40



12 PCS

X2

21



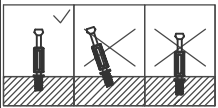
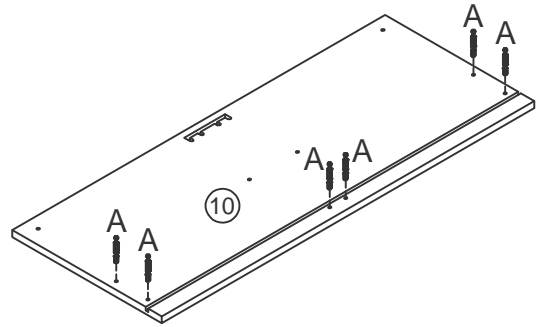
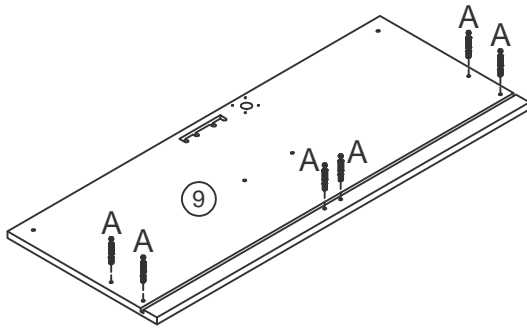
X2

22

A M5X42



12 PCS



23

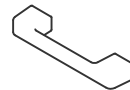
F M4X15



The handle screw of the drawers

4 PCS

G



2 PCS

R M3X16

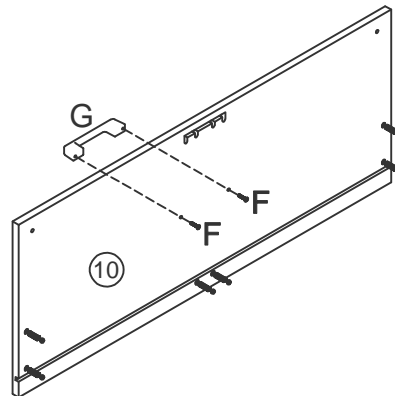
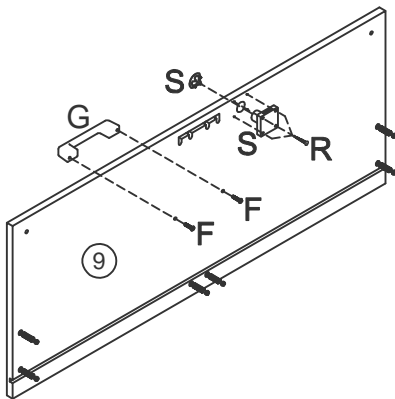


4 PCS

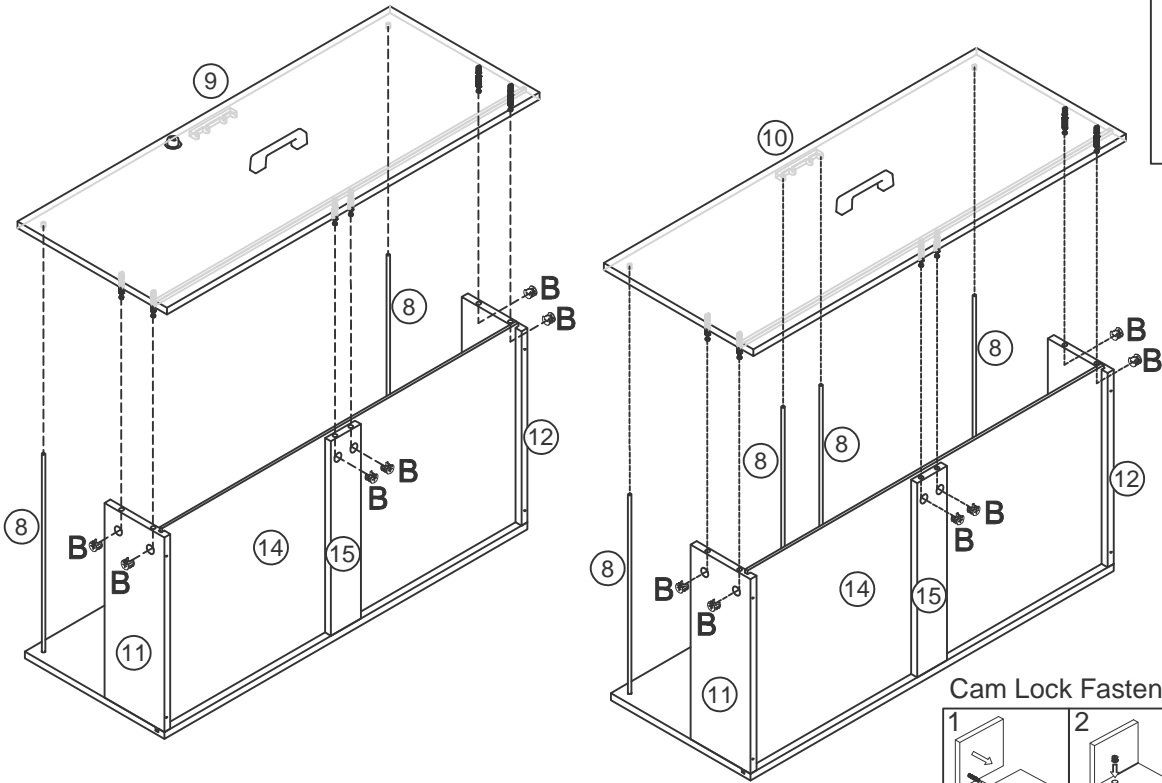
S



1 SET



24

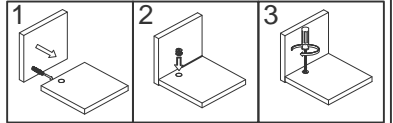


B Ø15X10



12 PCS

Cam Lock Fastening System



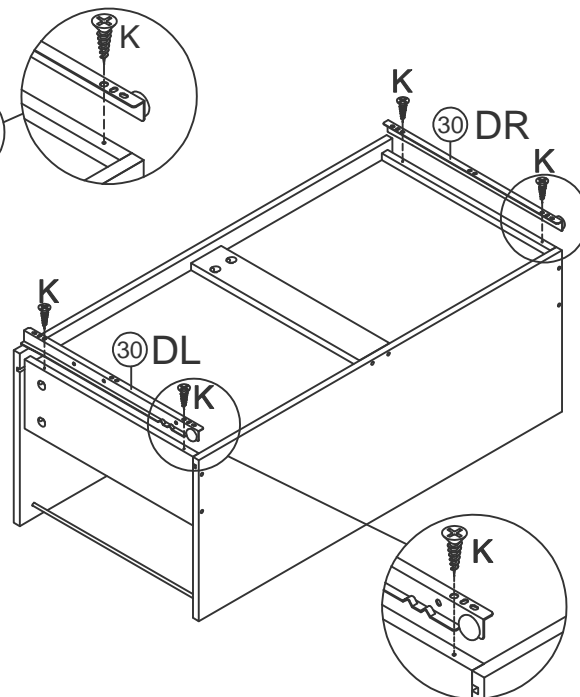
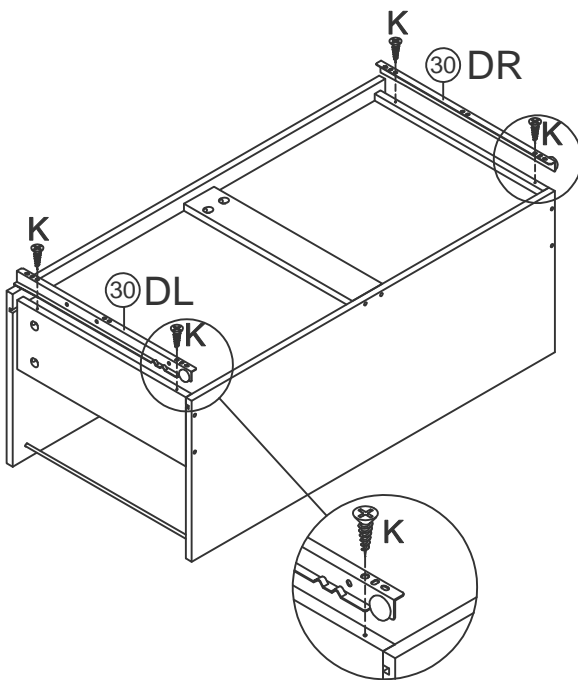
25



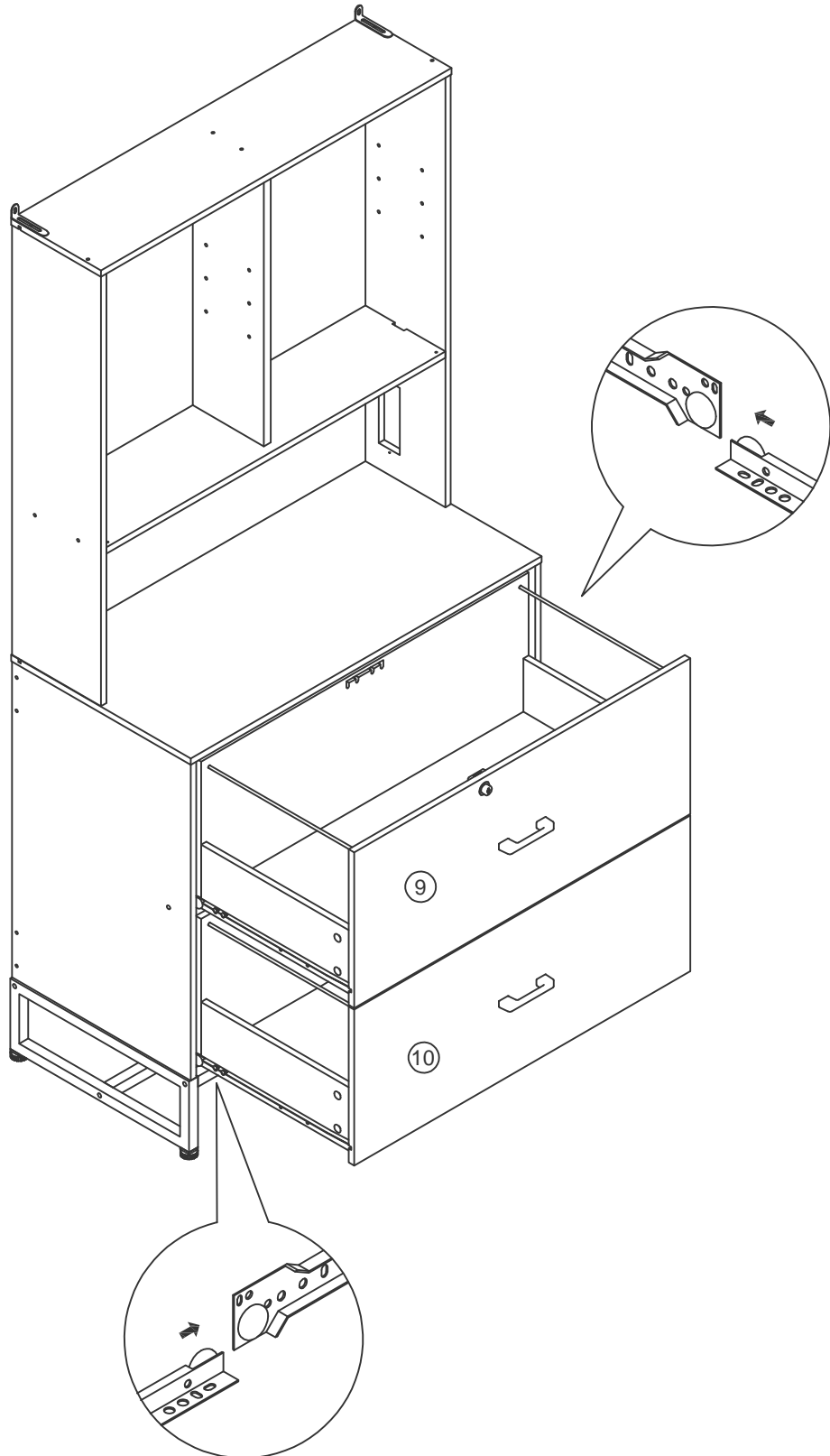
K M3.5X12





8 PCS

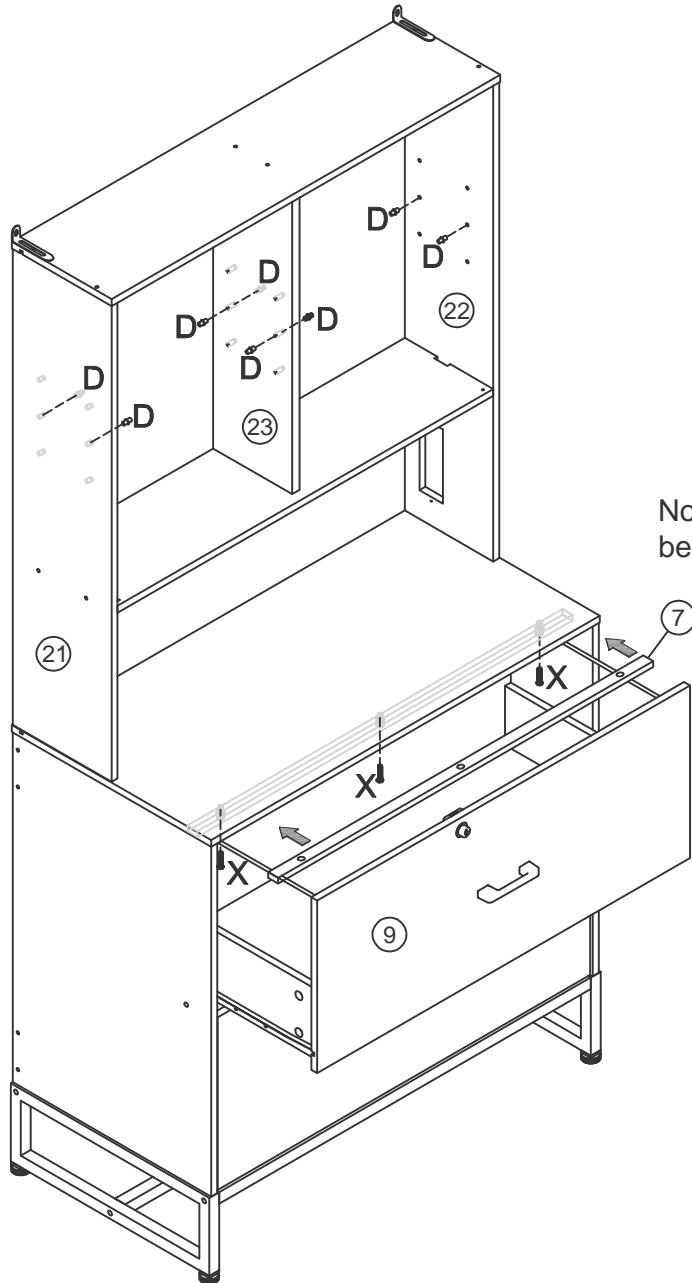


26



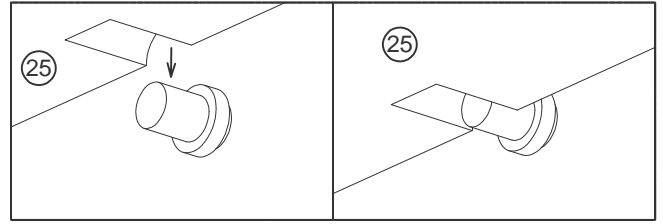
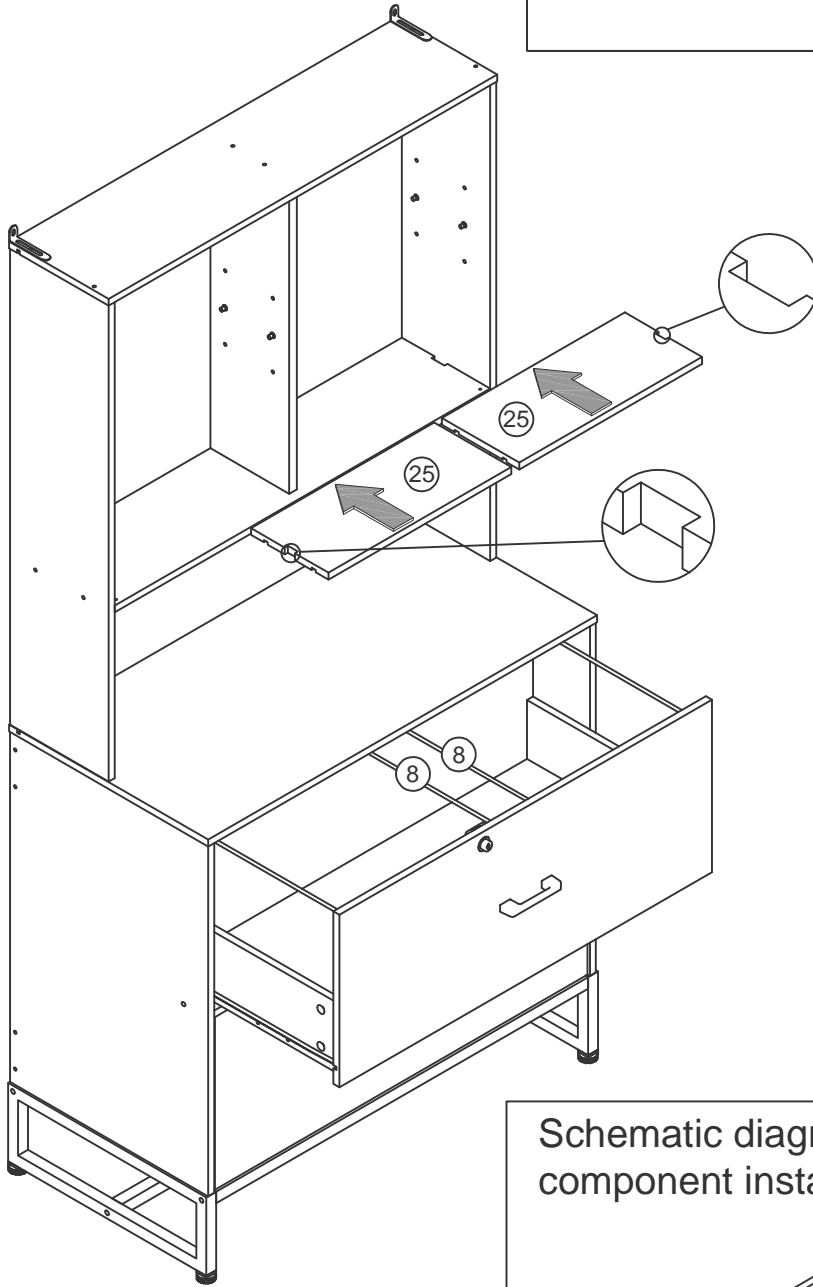
27

<p><b>D</b></p>  <p>8 PCS</p>	<p><b>X</b> M6X20</p>  <p>3 PCS</p>
--	--

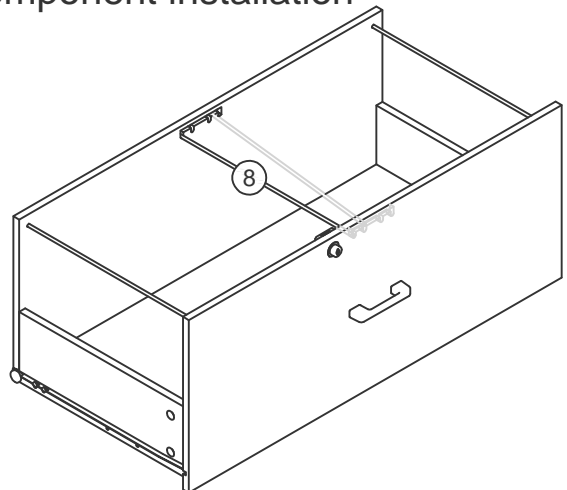


No.7 tube is mounted below the panel.

28

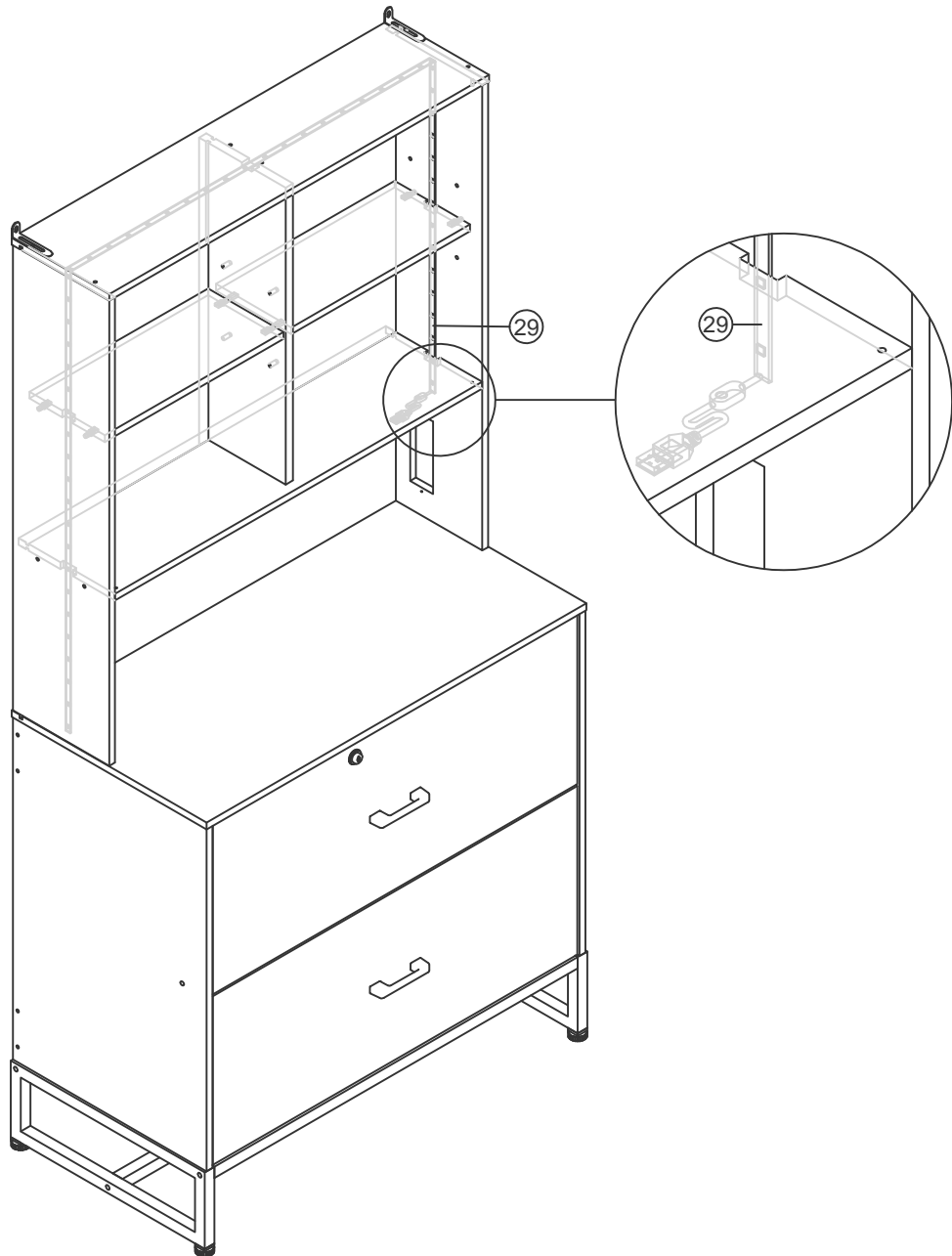


Schematic diagram of component installation





29



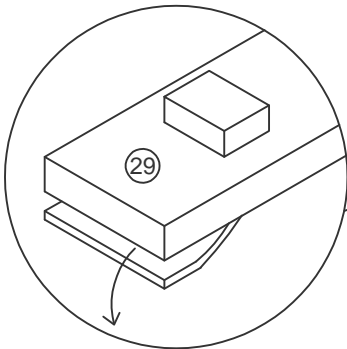
30

T



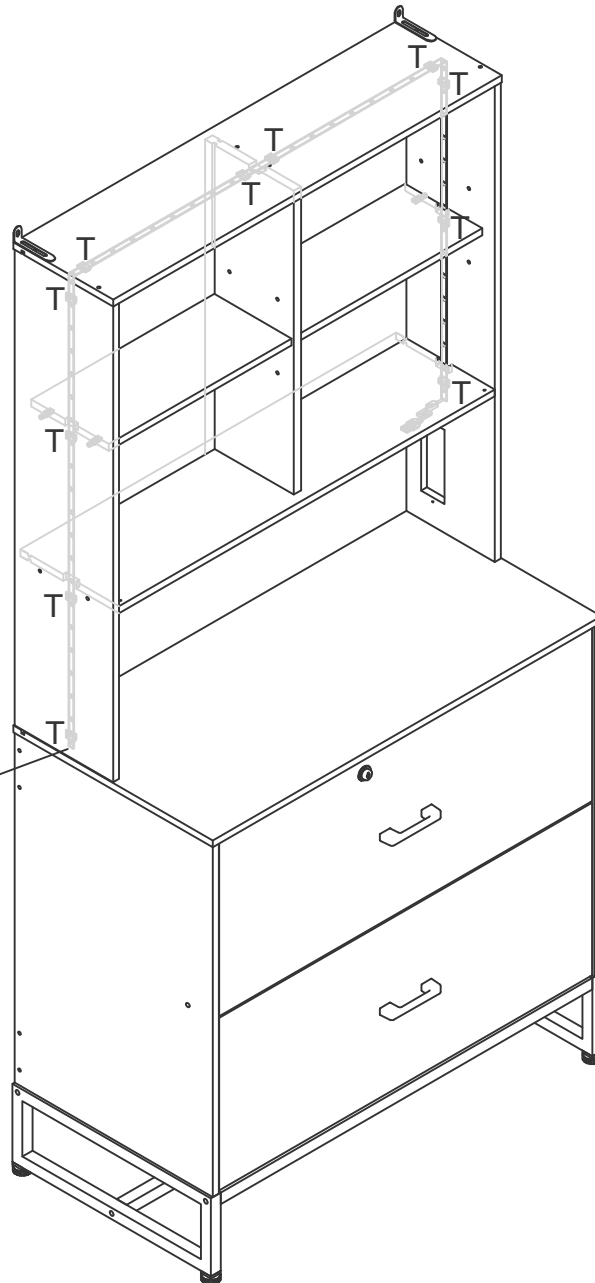
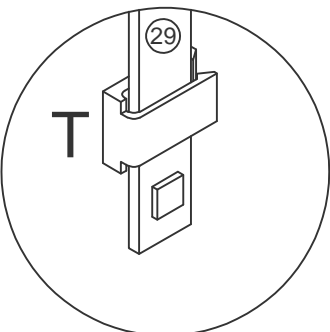
11 PCS

### Step 1



Tip: Remove the tape before attaching the light strip.

### Step 2

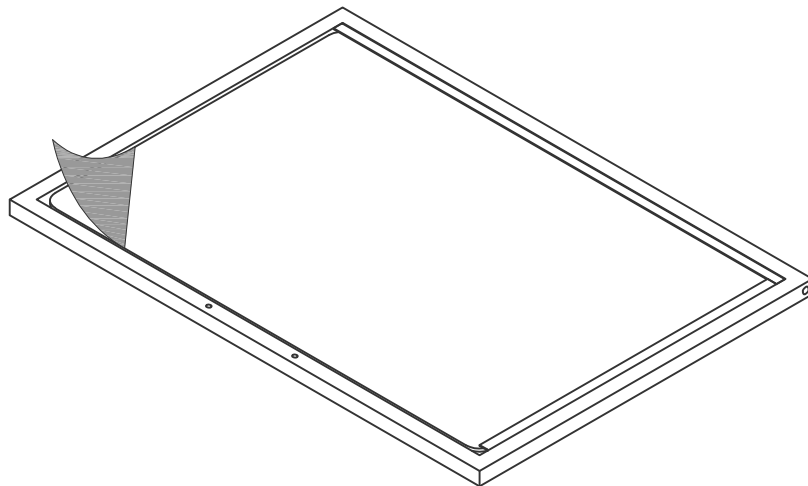
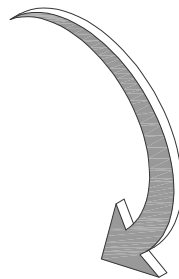
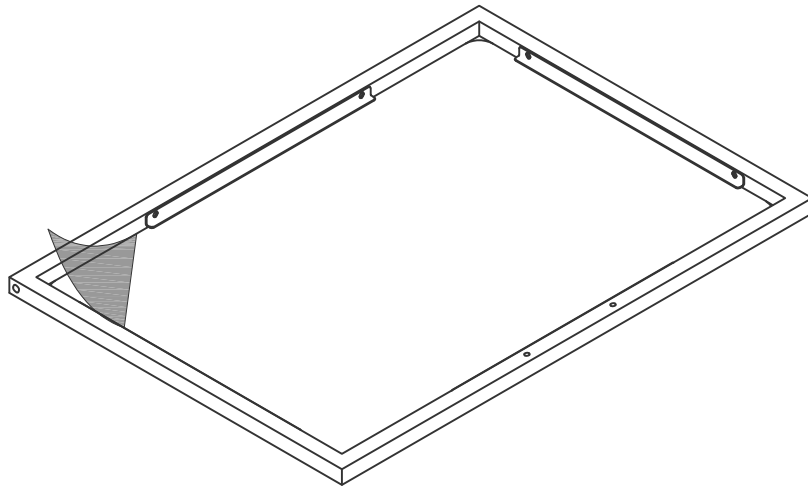




31



This is the protective film of acrylic plate,  
can be torn off before use !!!



32

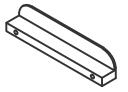
H M4X18



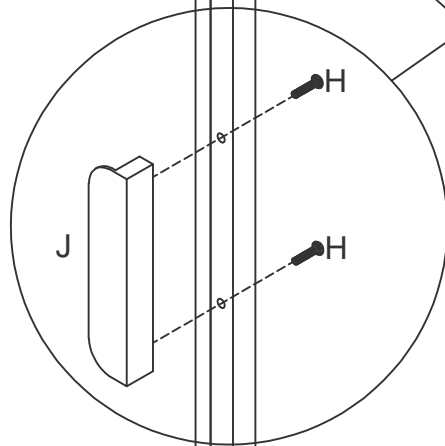
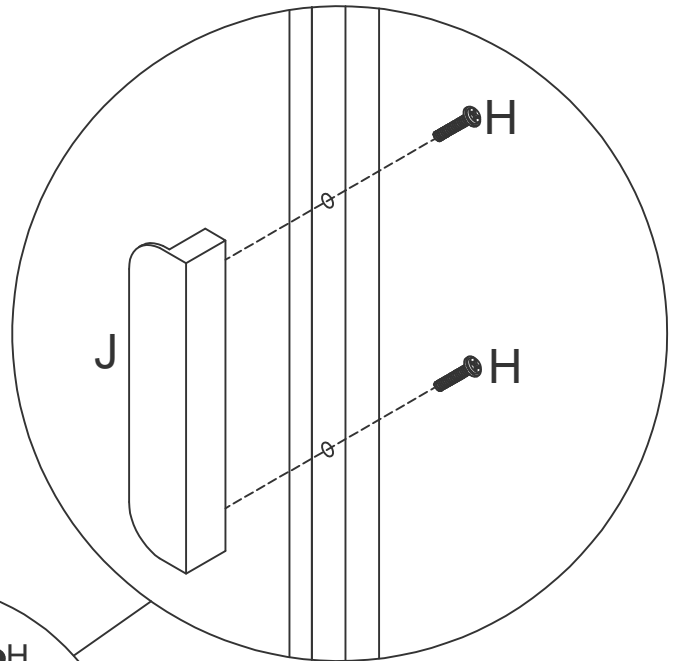
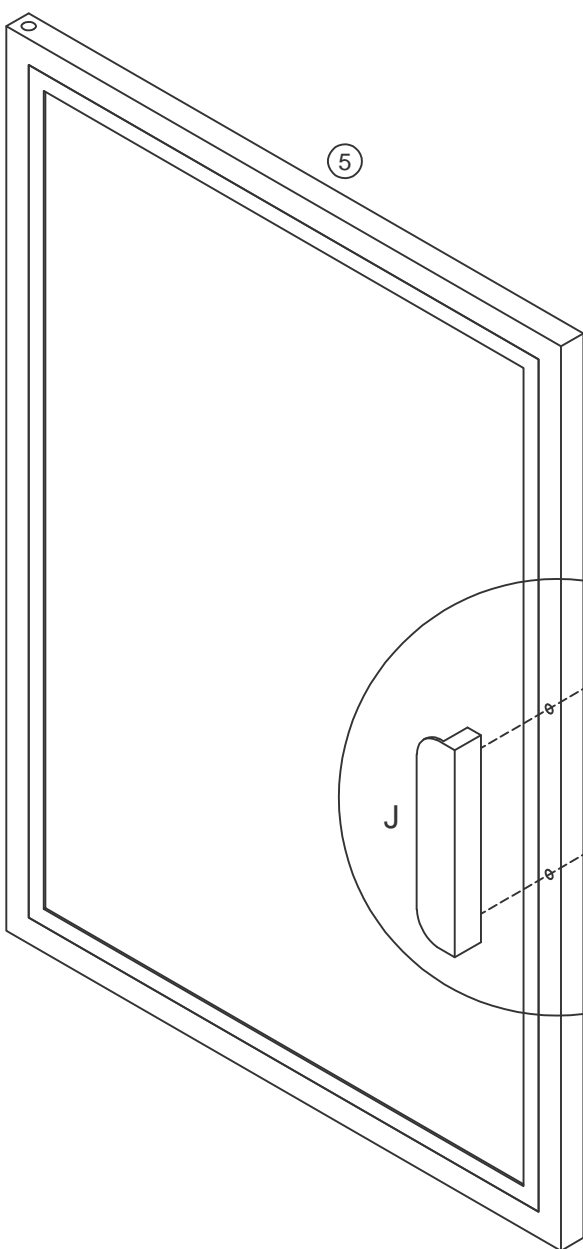
The handle screw  
of the doors

4 PCS

J



2 PCS



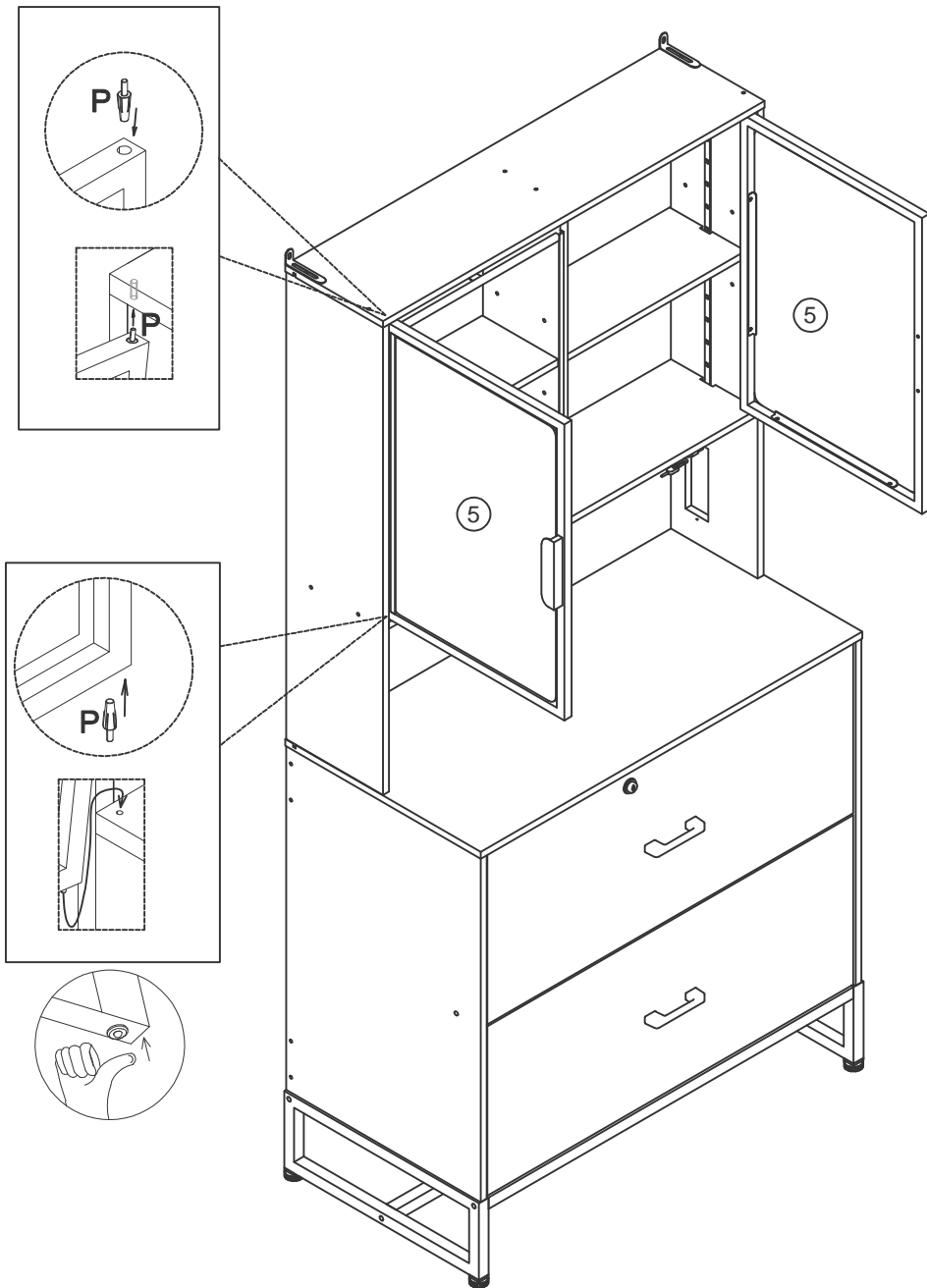
X2

33

P



4 PCS



34

K M3.5X12

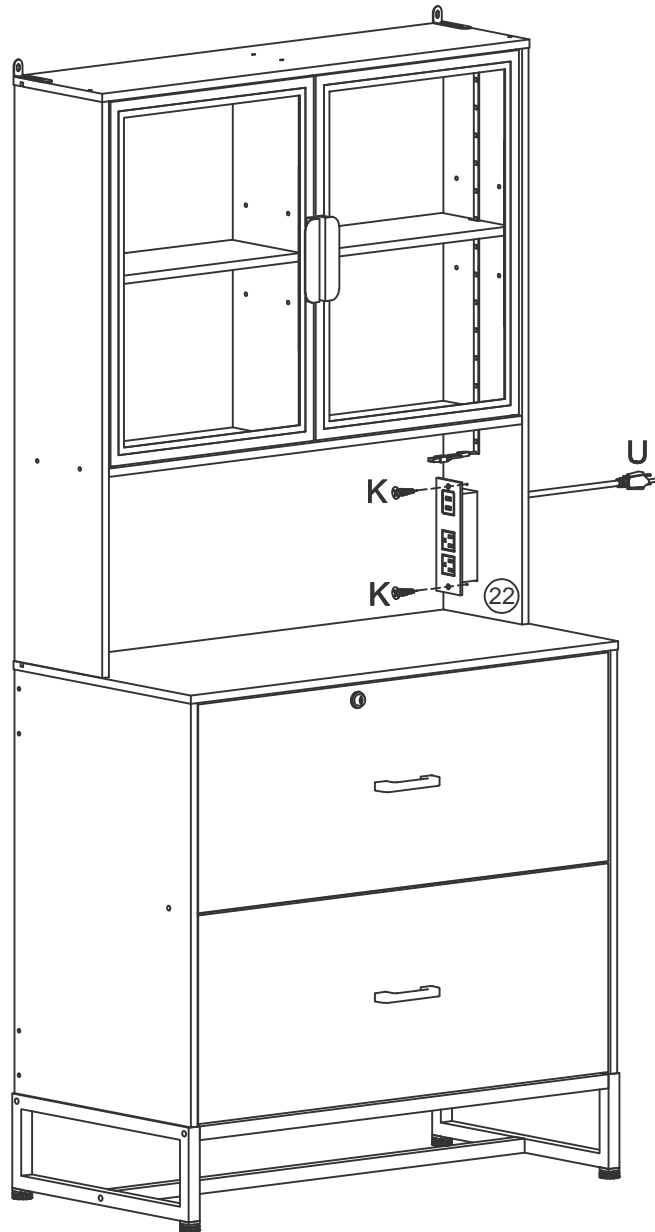
U



2 PCS

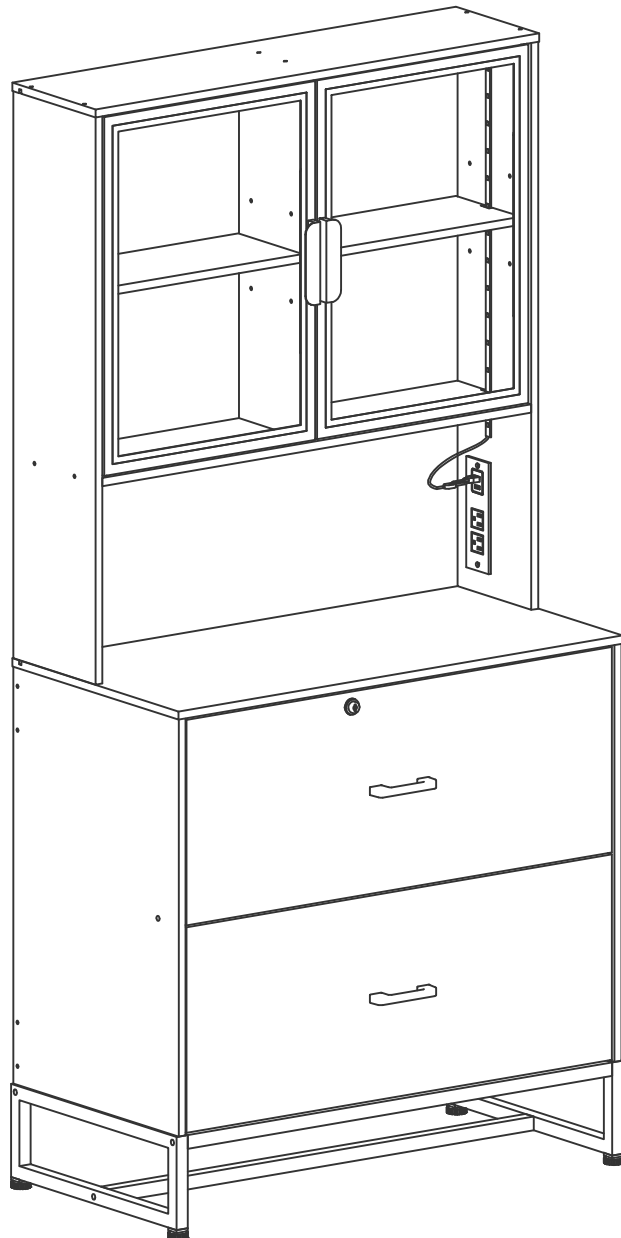


1 PCS







35



36

 **Attention: For safety and stability, we suggest you have to secure the anti-tip accessories to the wall to prevent tipping, injury, and property damage.**

E M5X40	W
	
2 PCS	2 PCS

