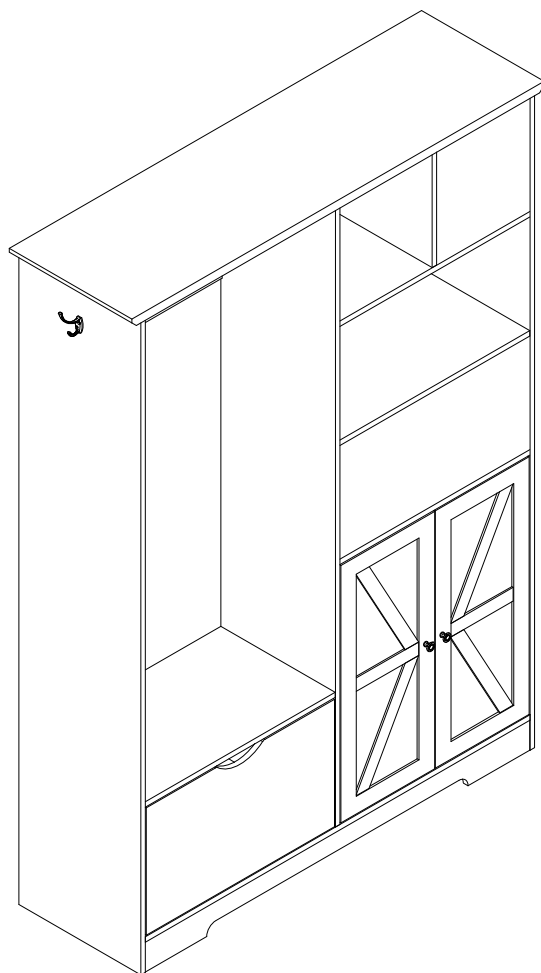
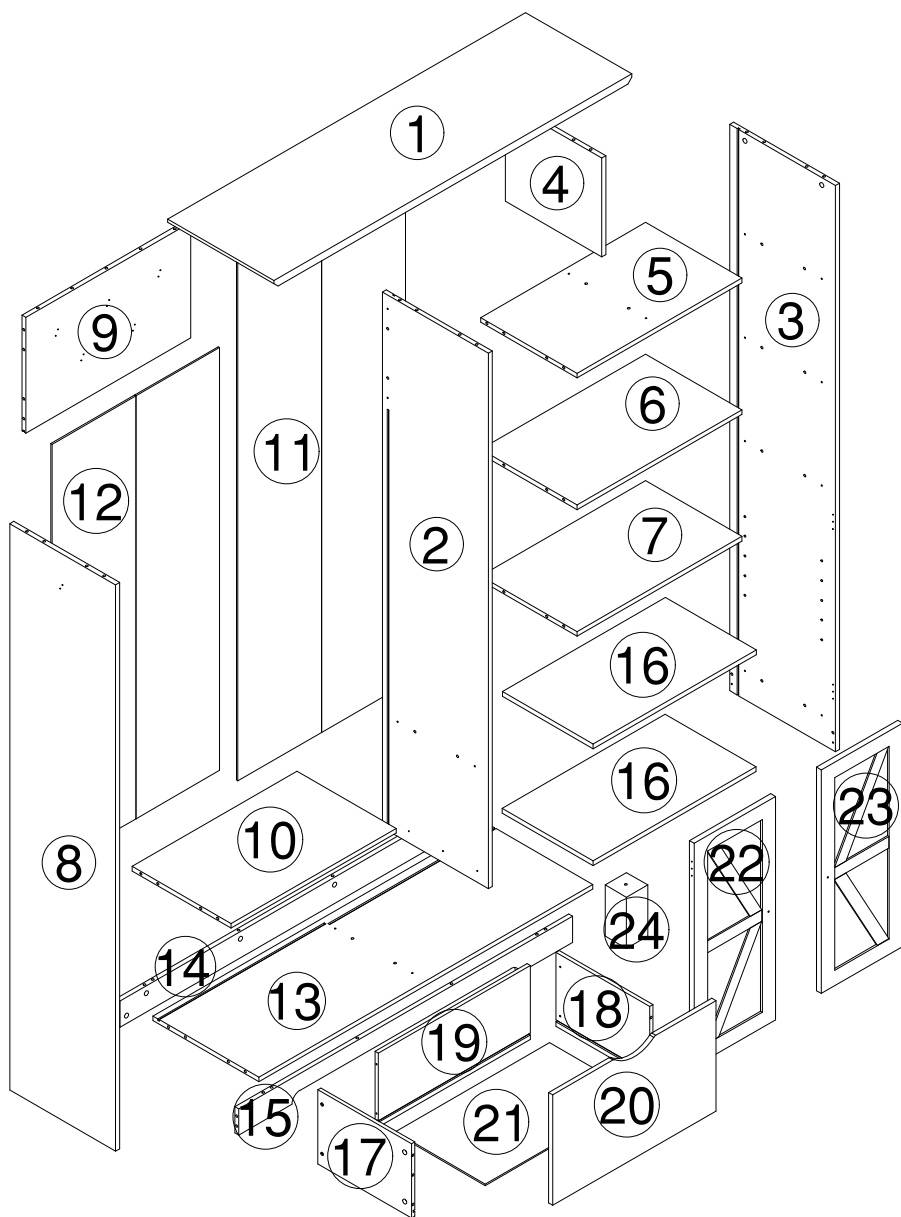
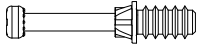


Assembly Instructions





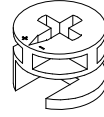
x55



(A)

34mm

x51



(B)

Ø15*12mm

x48



(C)

Ø8*30mm

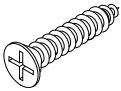
x4



(D)

Ø15*10mm

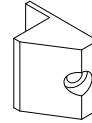
x12



(E)

Ø3*18mm

x12



(F)

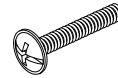
x2



(G)

Ø28*20mm

x2



(H)

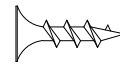
M4*25mm

x6



(J)

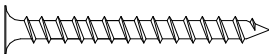
x12



(K)

Ø4*15mm

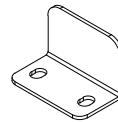
x5



(L)

Ø5*38mm

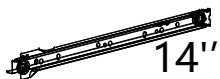
x2



(M)

30*17*17mm

x1



(N)

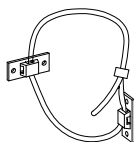
350*27mm

x8



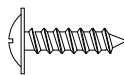
(P)

x1



(Q)

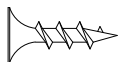
x4



(R)

Ø3.5*12mm

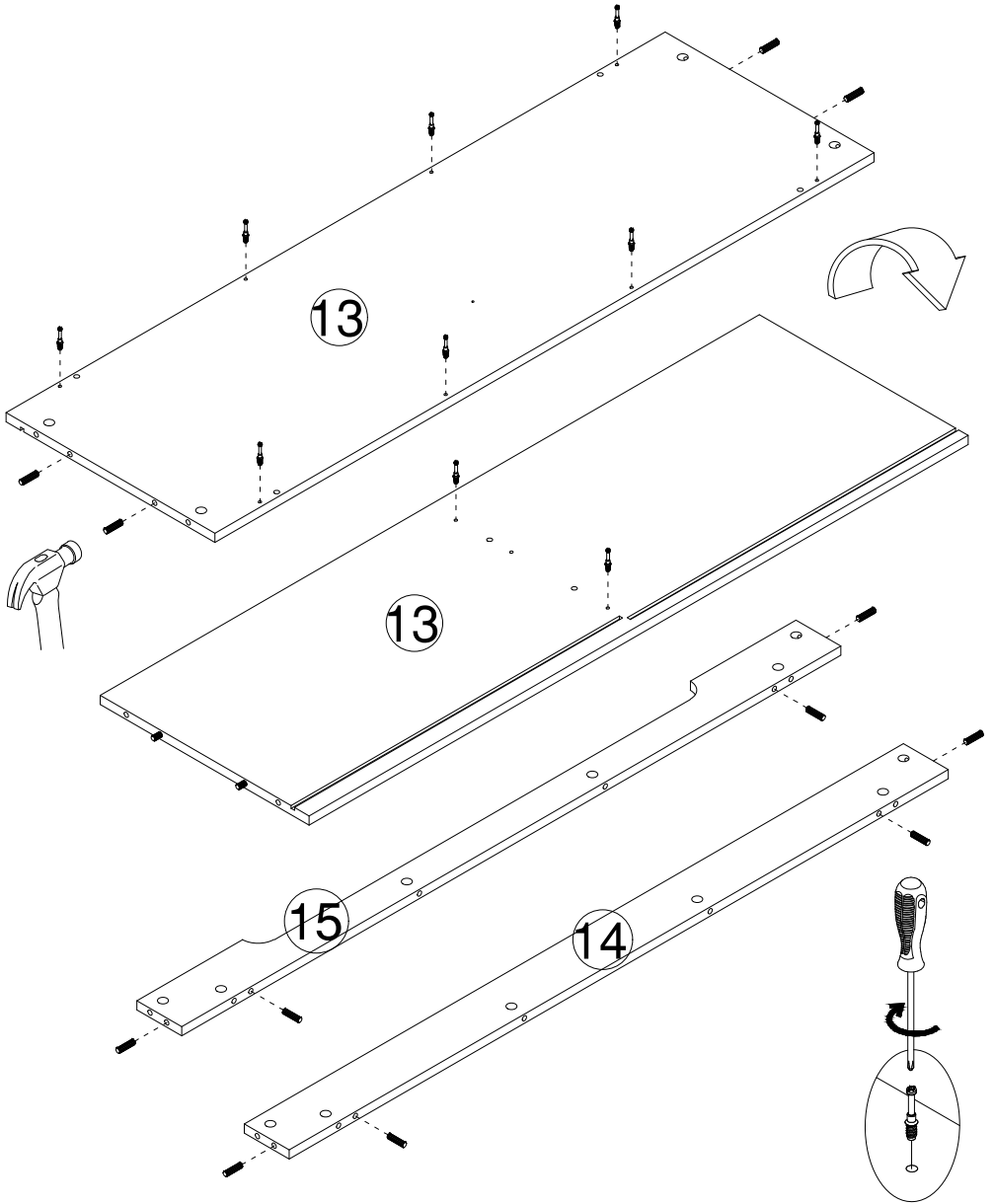
x12

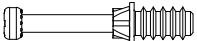



(U)

Ø3.5*11mm

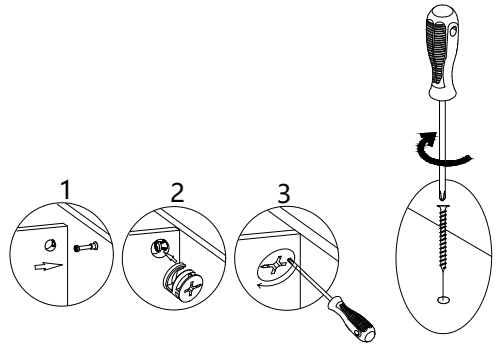
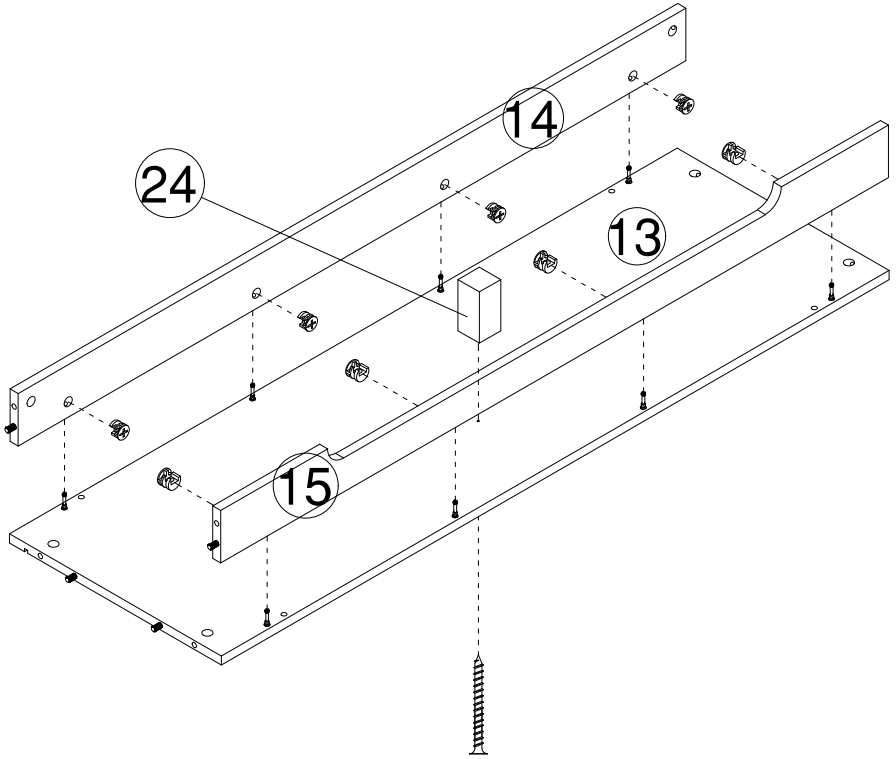
1



A  [×10]

C  [×12]

2

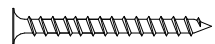


(B)



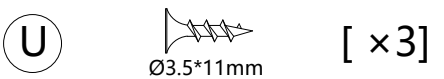
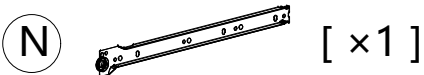
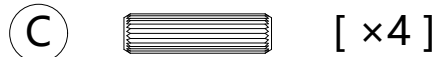
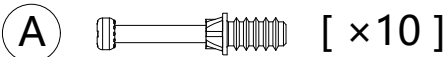
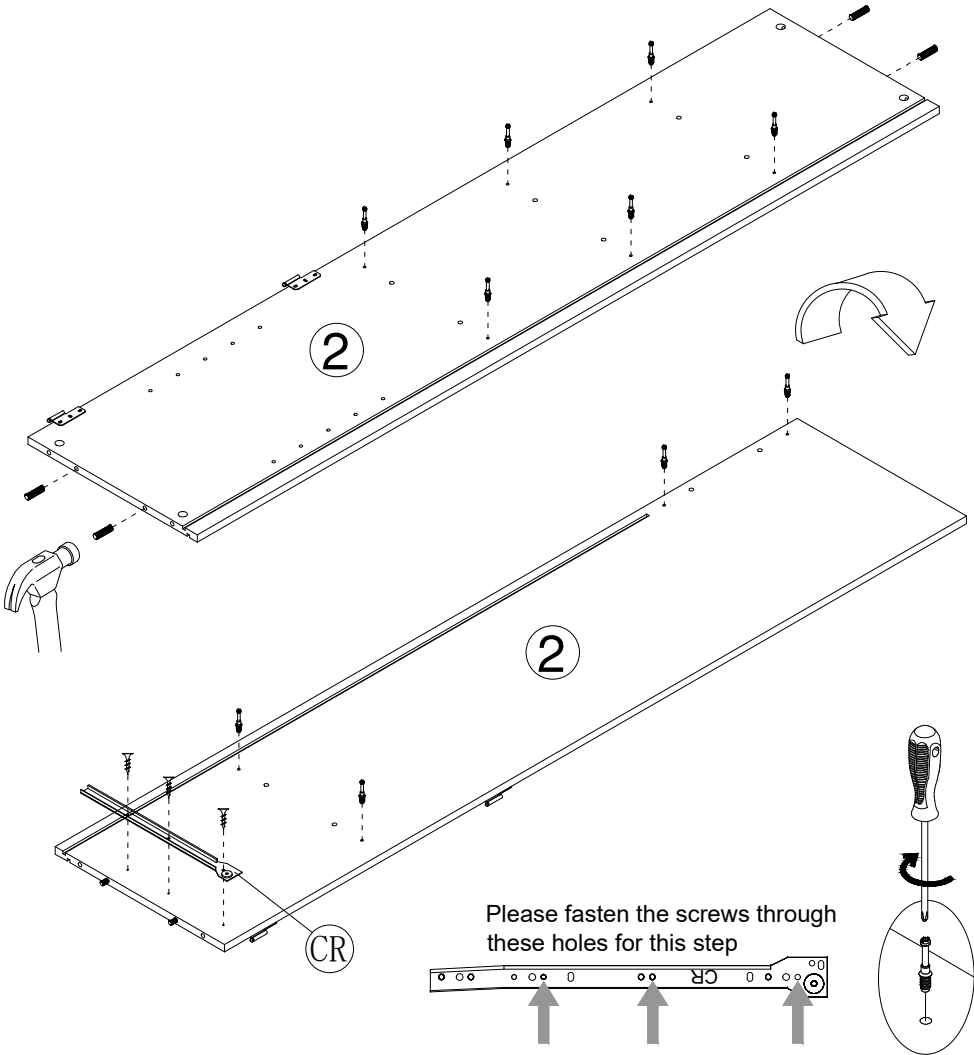
[×8]

(L)

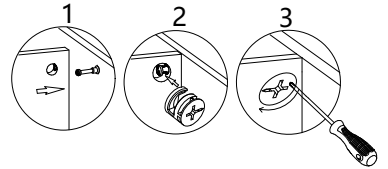
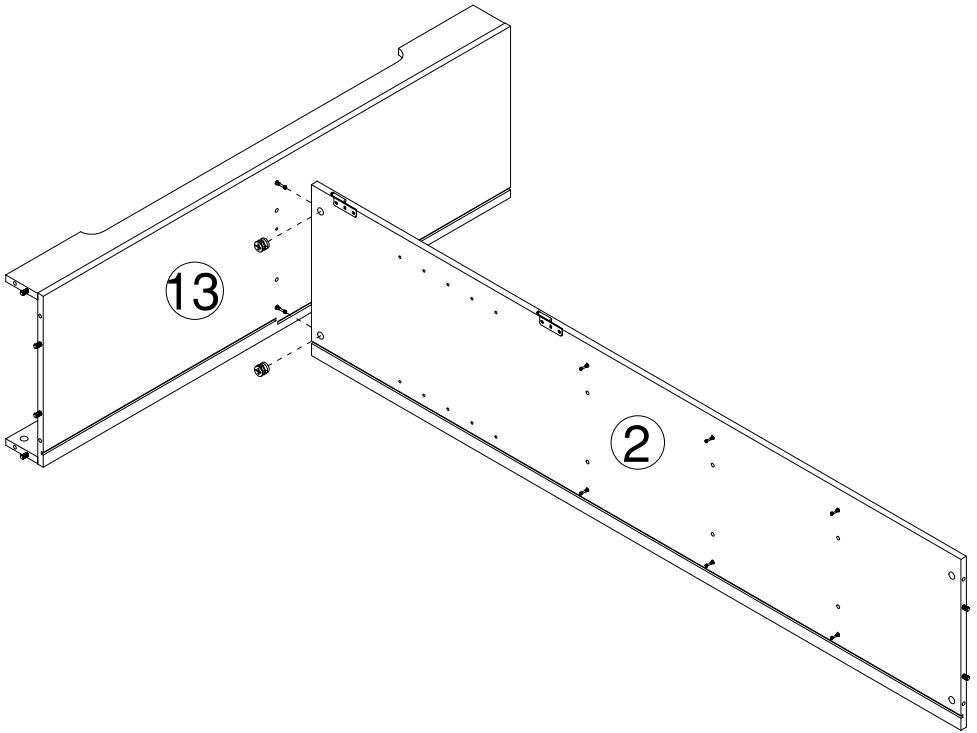


[×1]

3



4

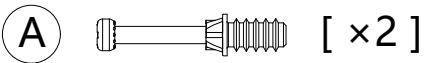
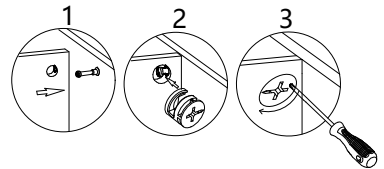
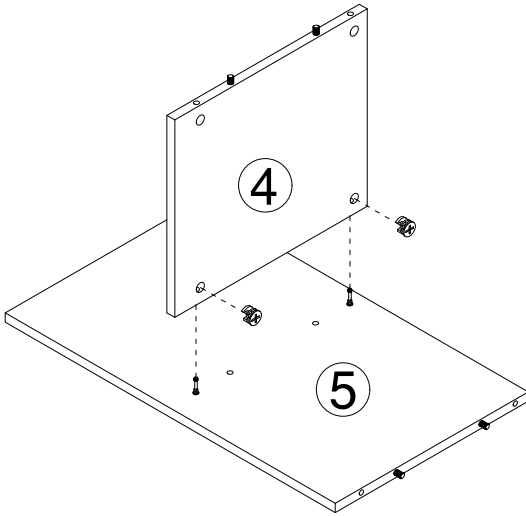
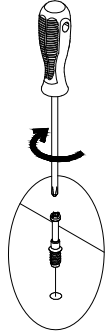
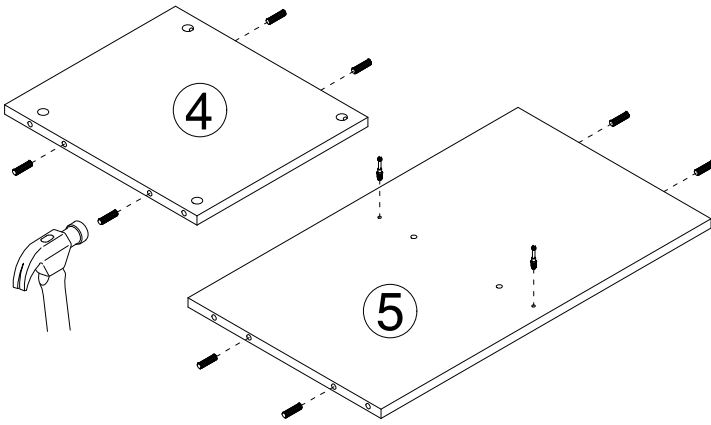


B

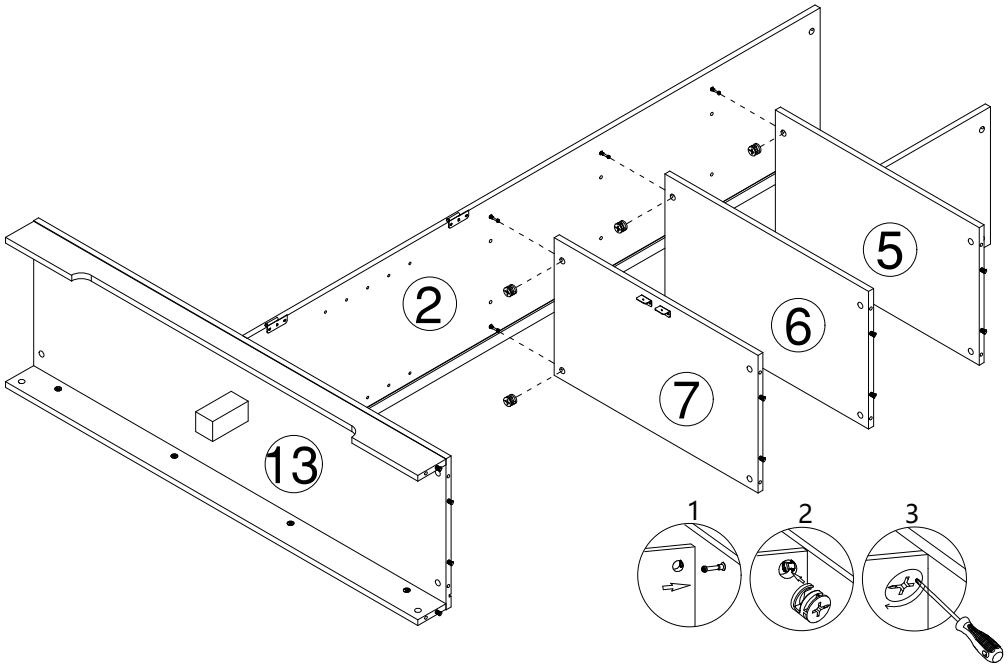
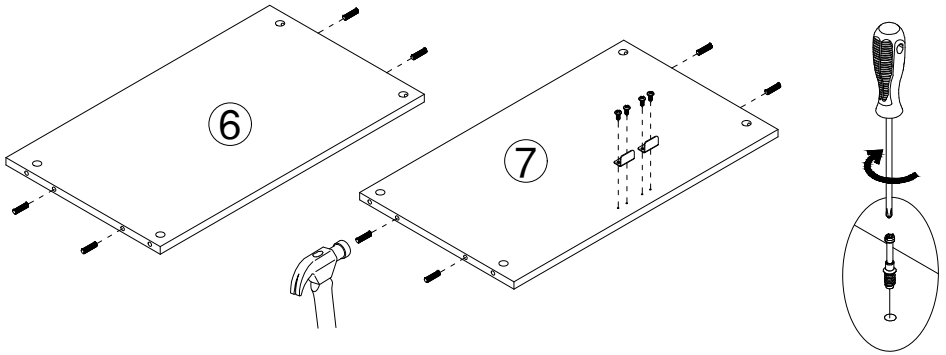


[x2]


5

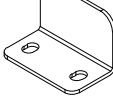


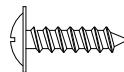
6



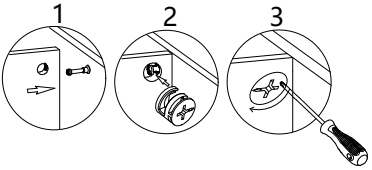
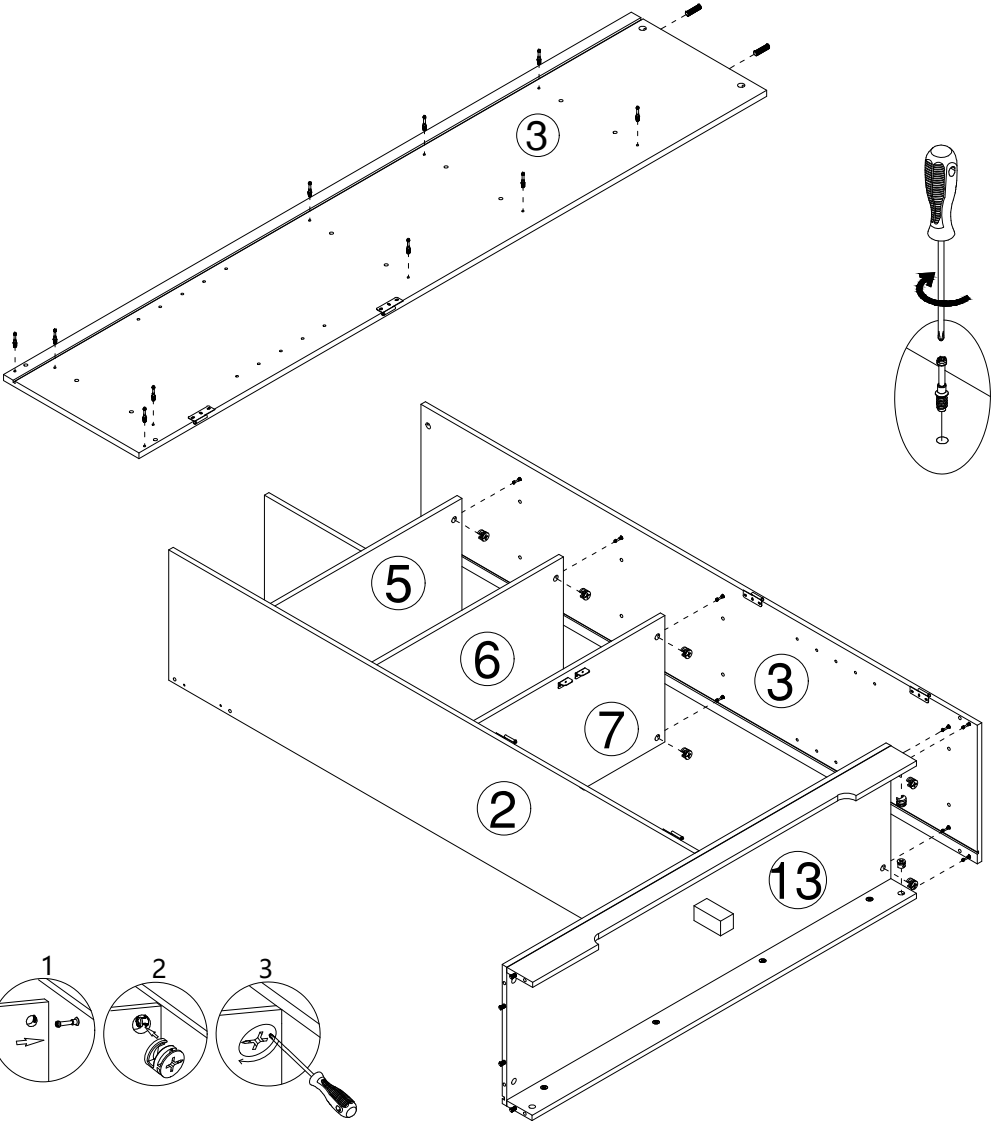
B  [×6]

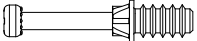
C  [×8]

M  [×2]

R  [×4]

7

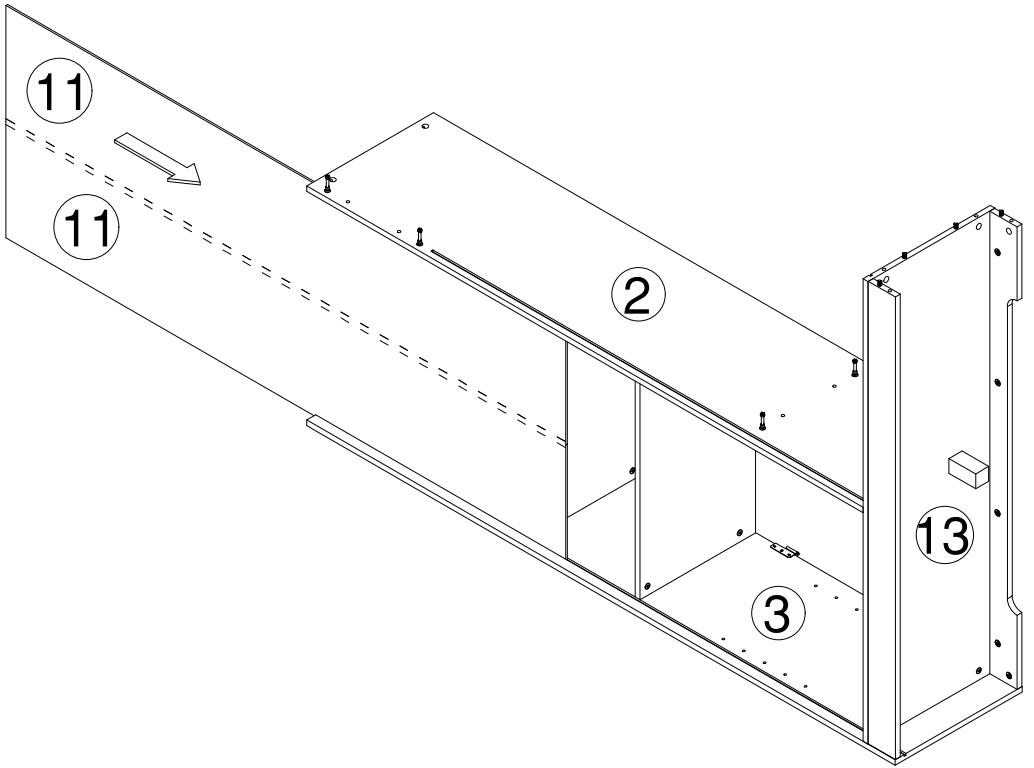


A  [×10]

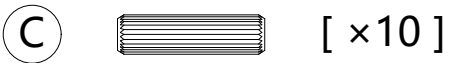
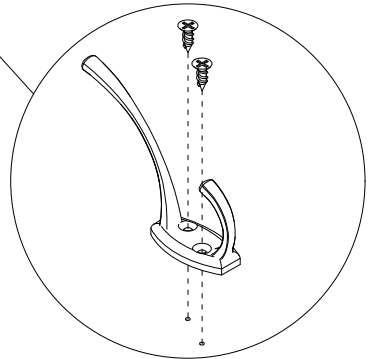
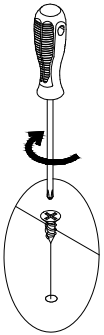
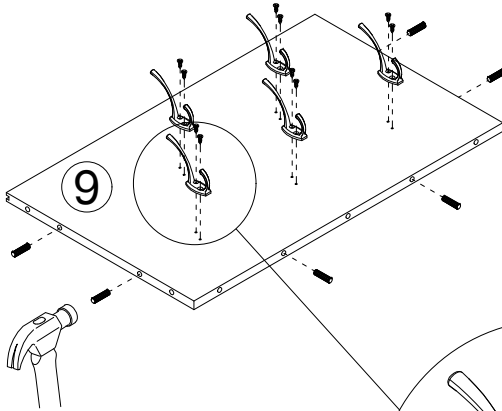
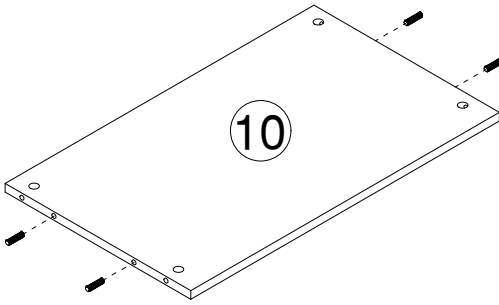
B  [×10]

C  [×2]

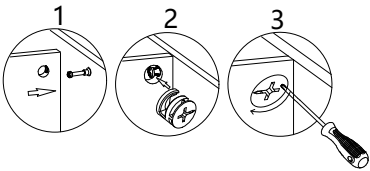
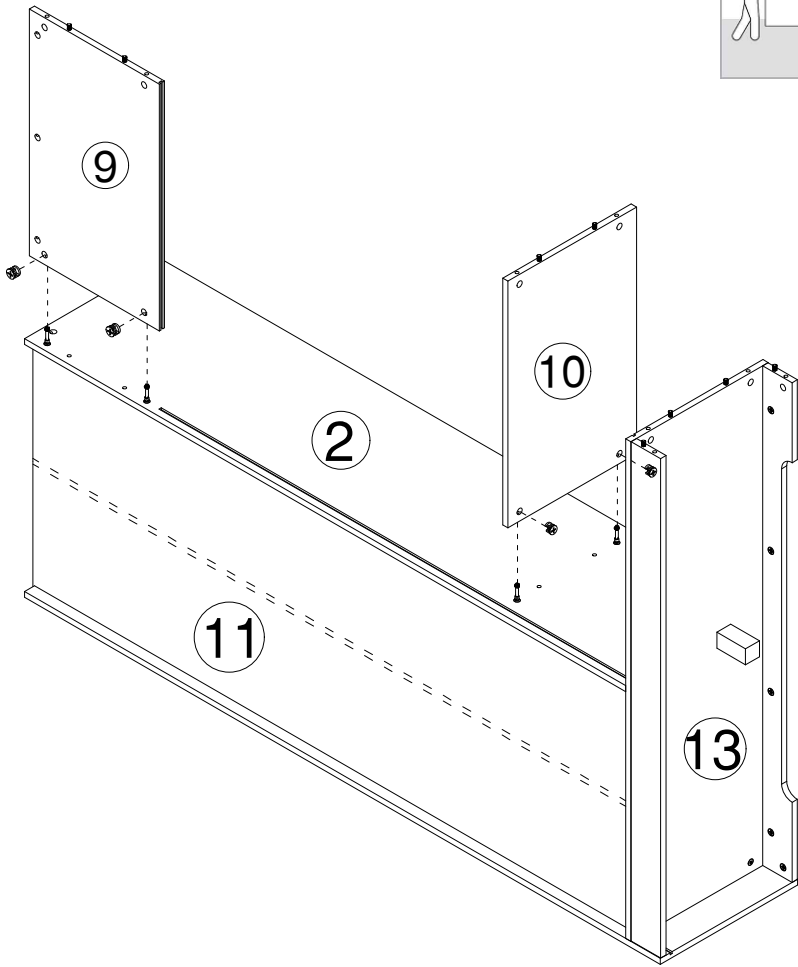
8



9



10

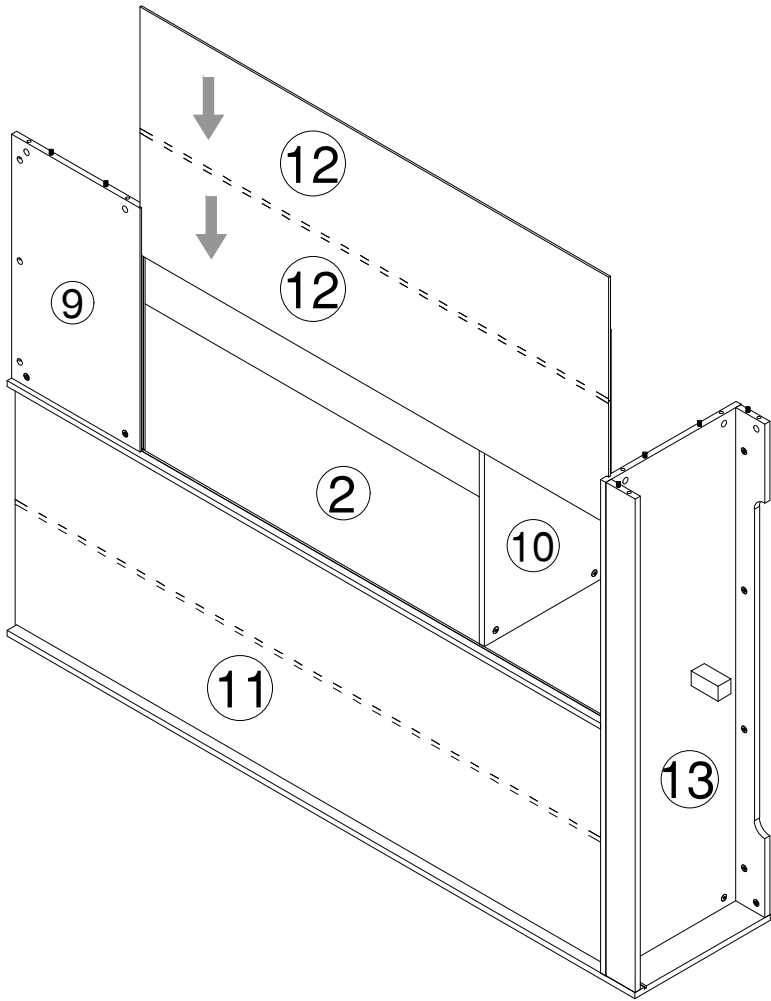


B

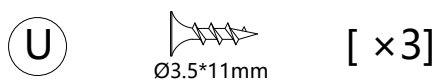
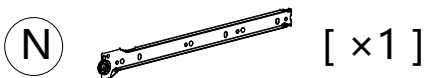
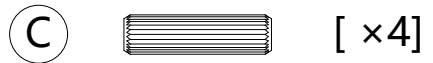
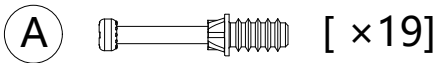
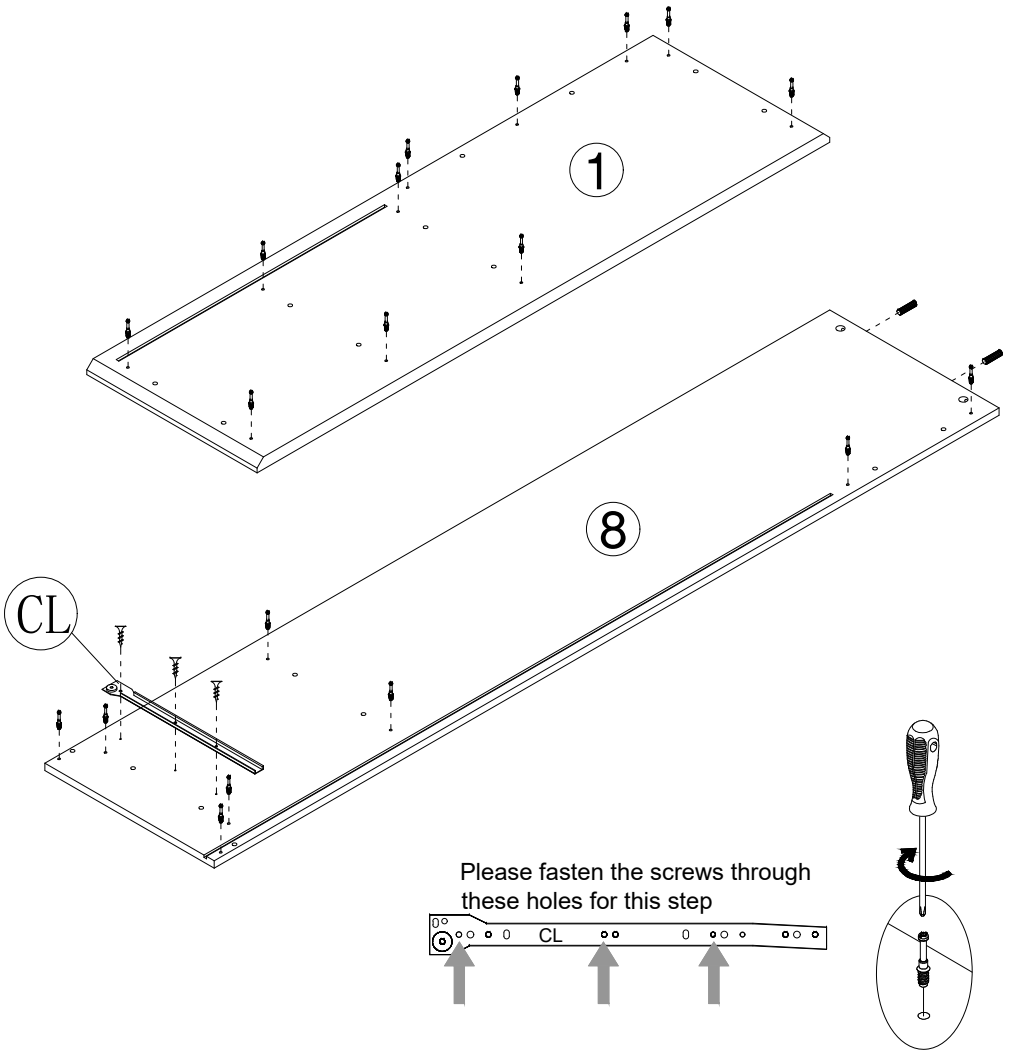


[×4]

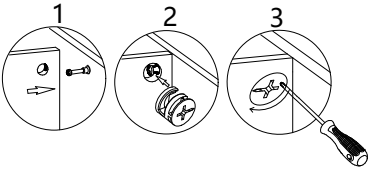
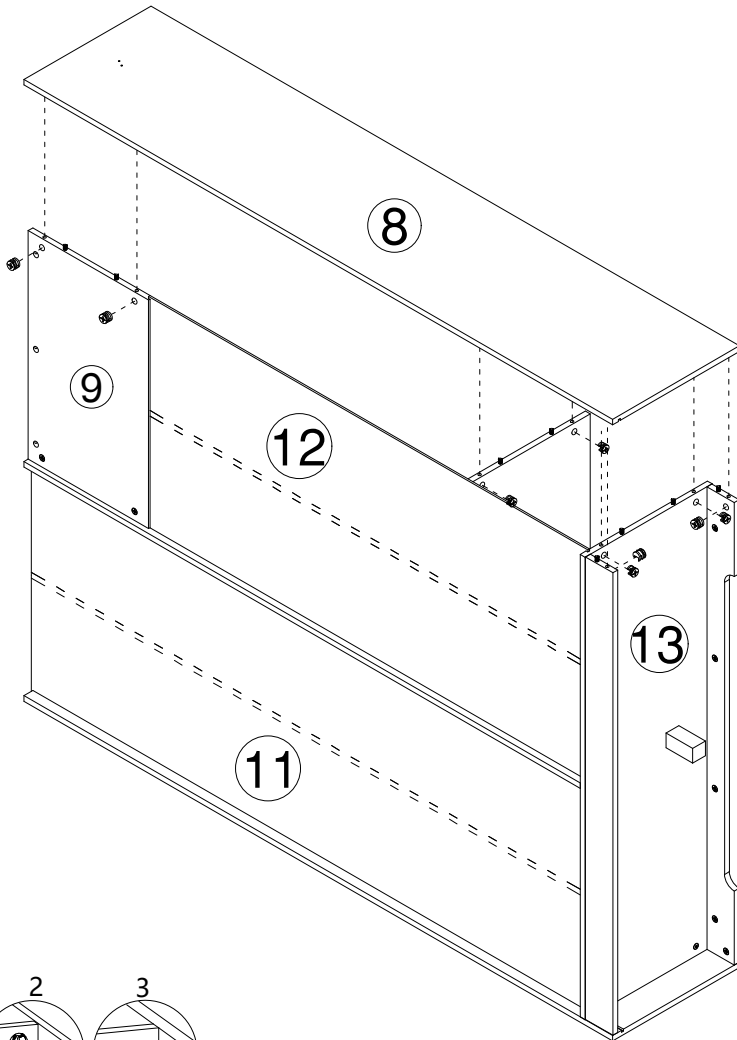
11



12



13

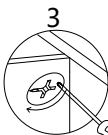
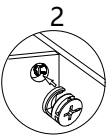
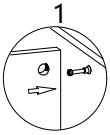
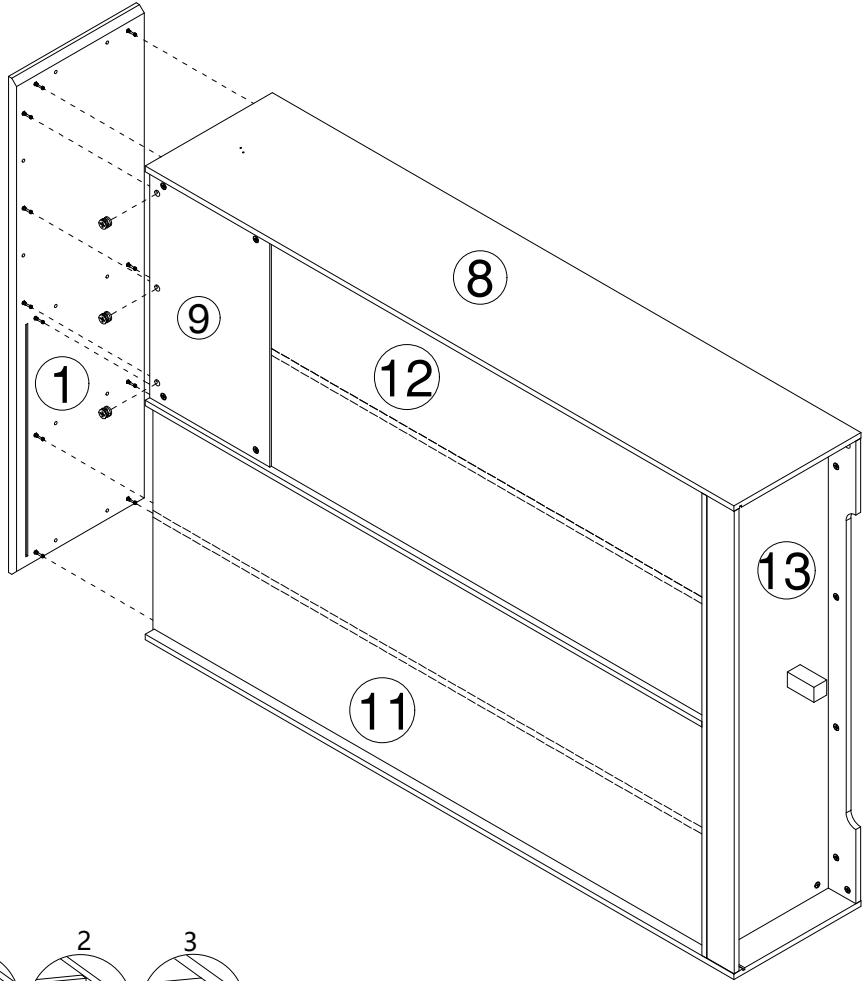


B



[×8]

14

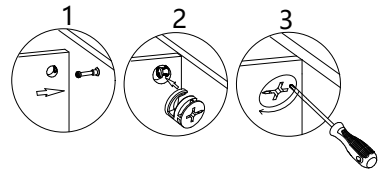
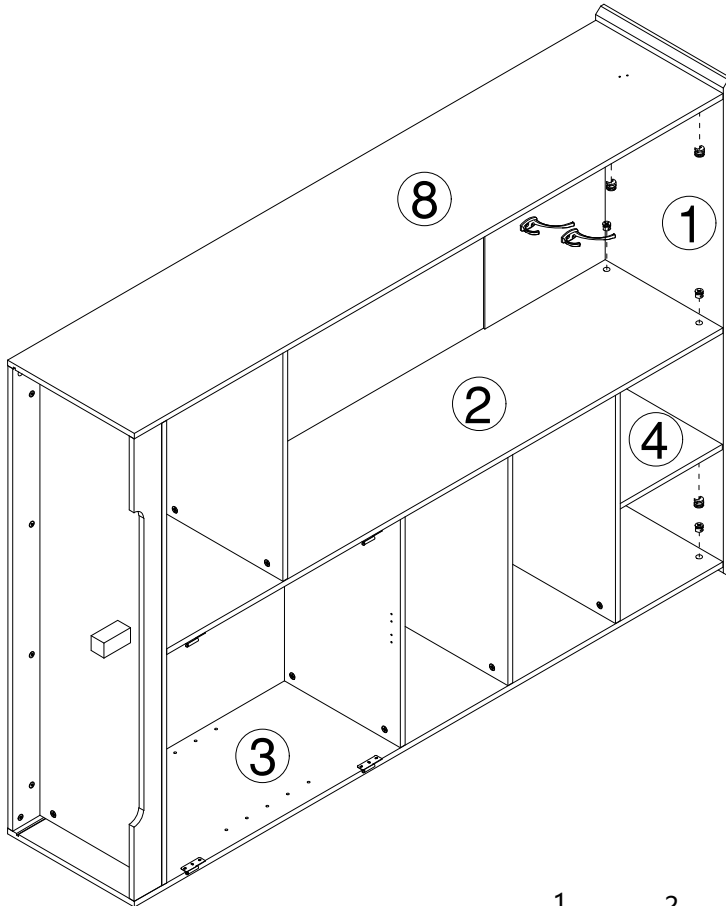


B



[×3]

15

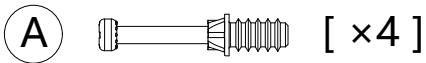
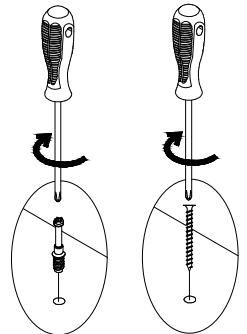
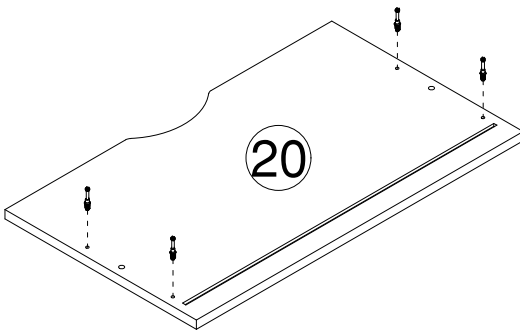
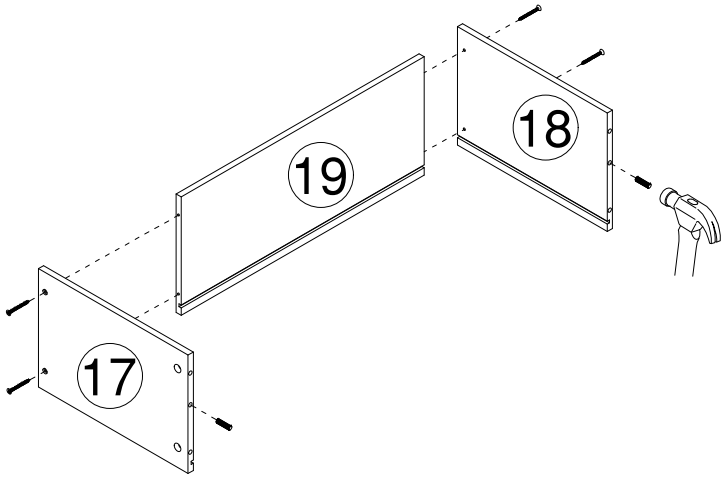


B

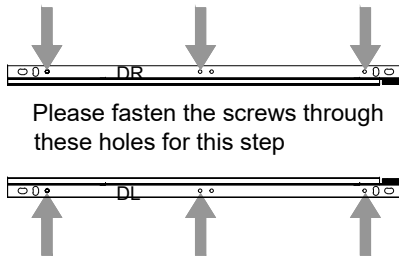
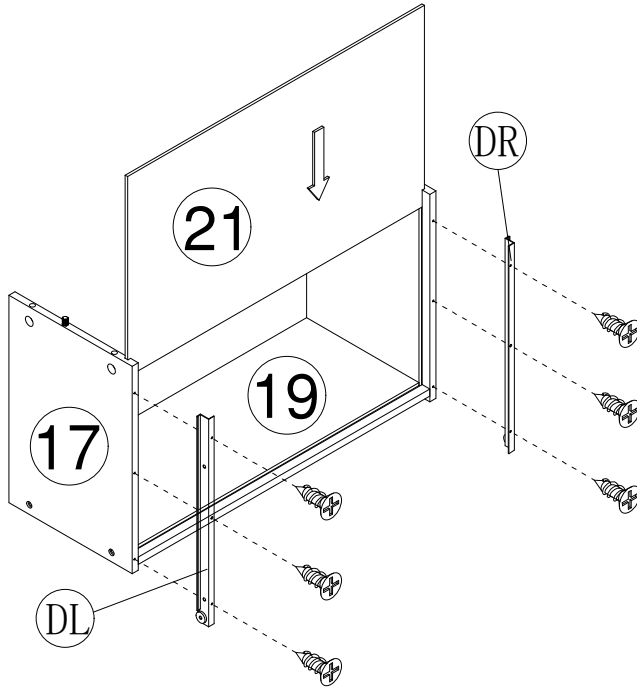


[×8]

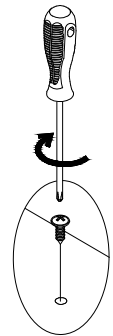
16



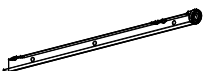
17



Please fasten the screws through these holes for this step

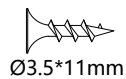


N



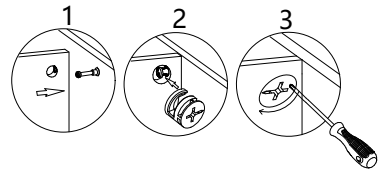
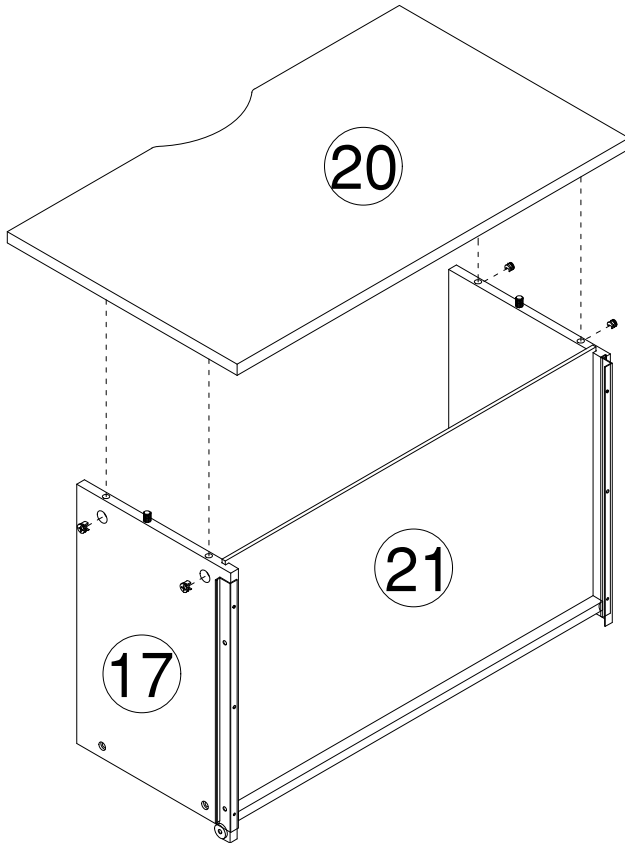
[x2]

U



[x6]

18

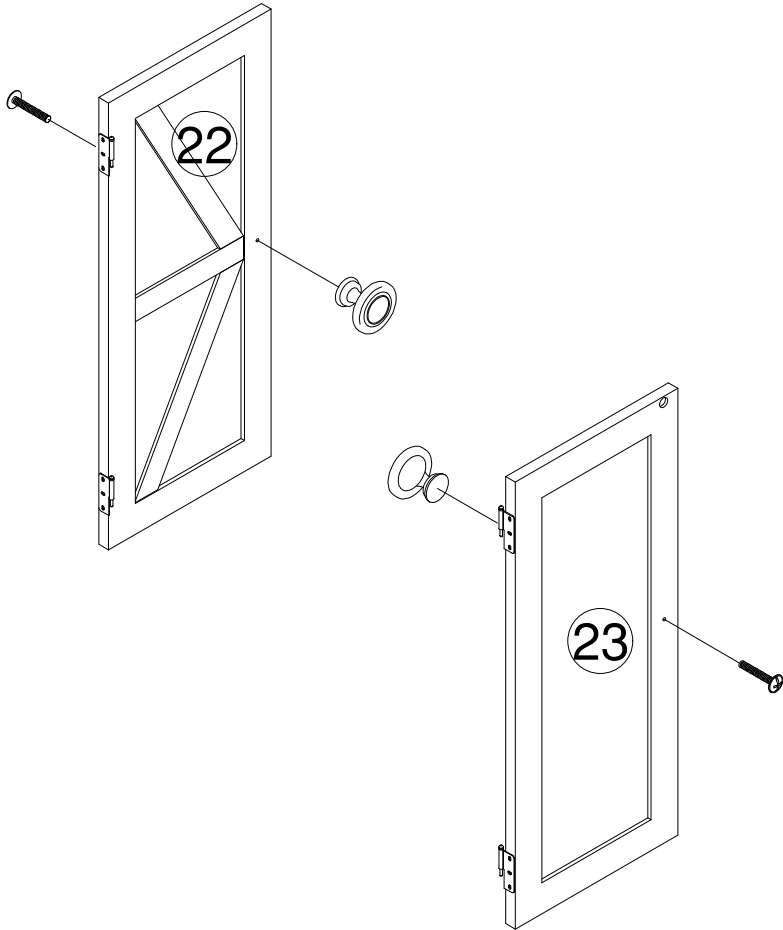


D



[x4]

19

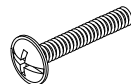


G



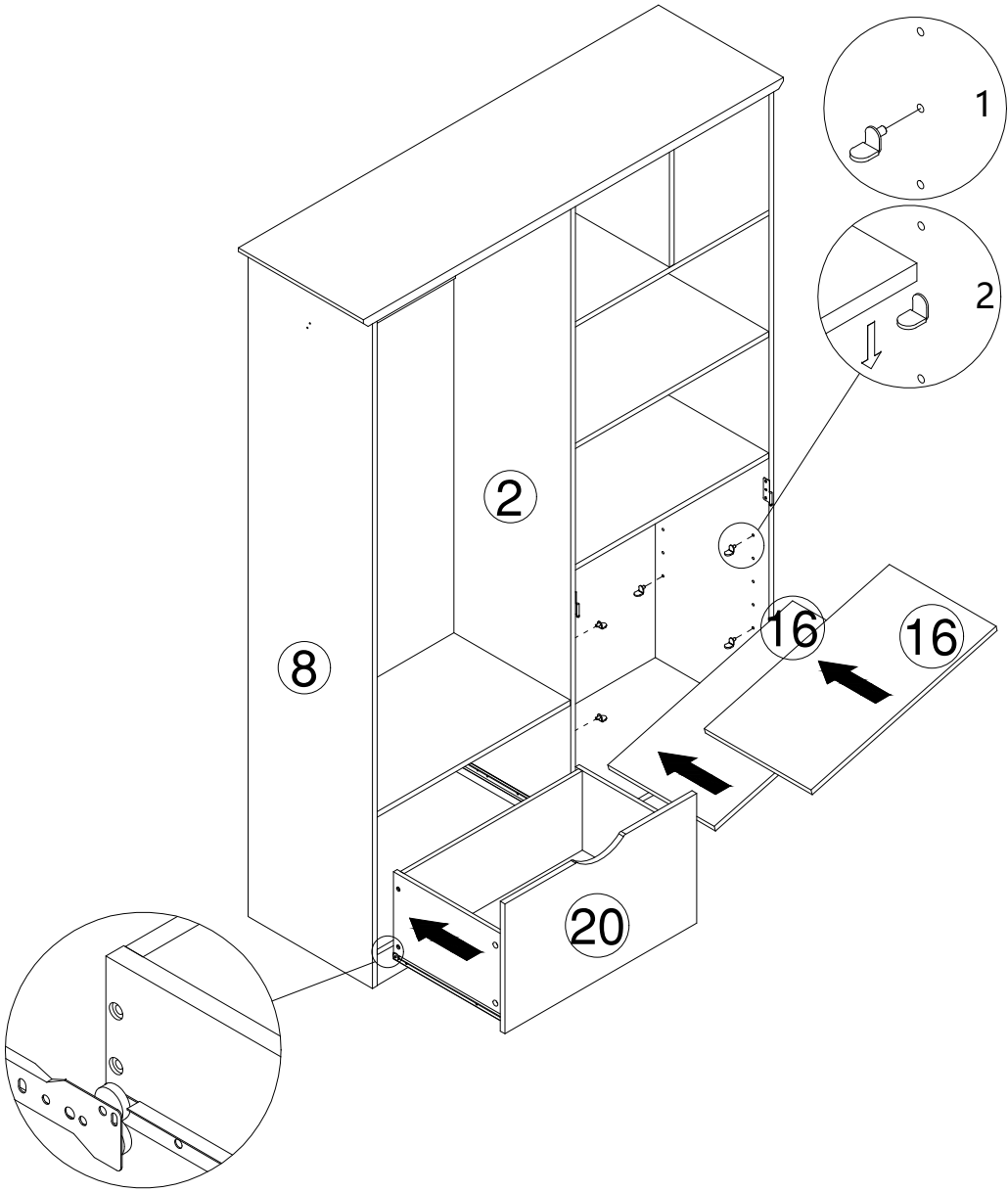
[x2]

H

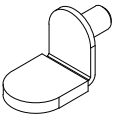


[x2]

20

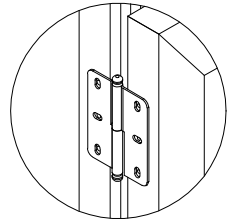
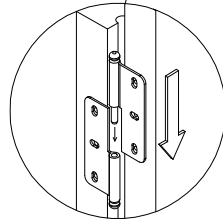
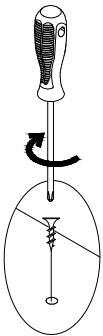
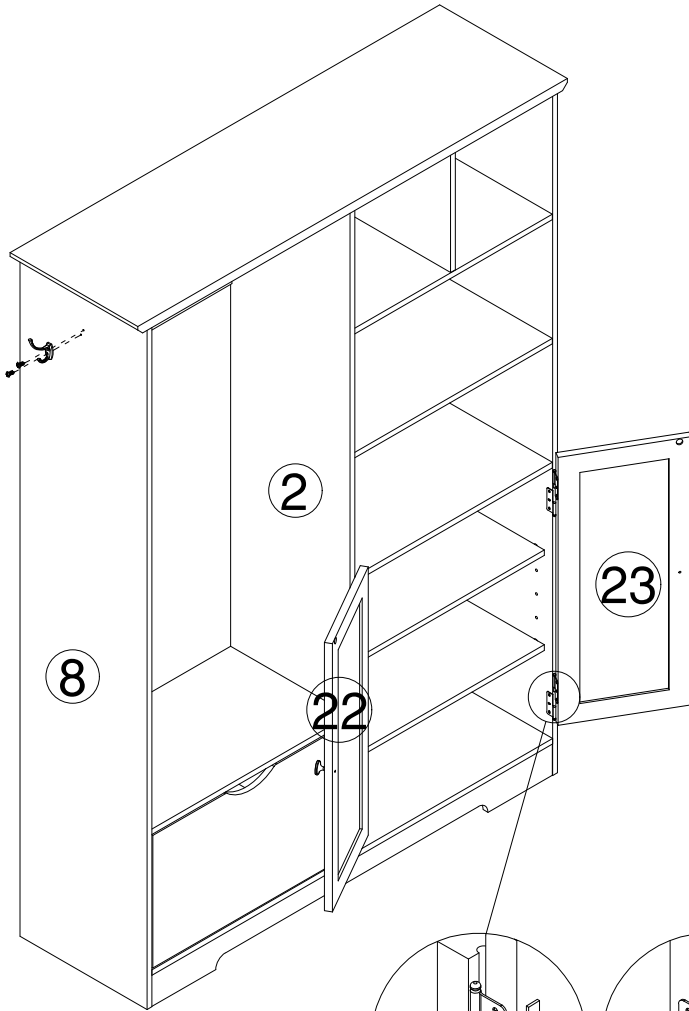


P



[×8]

21

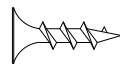


J

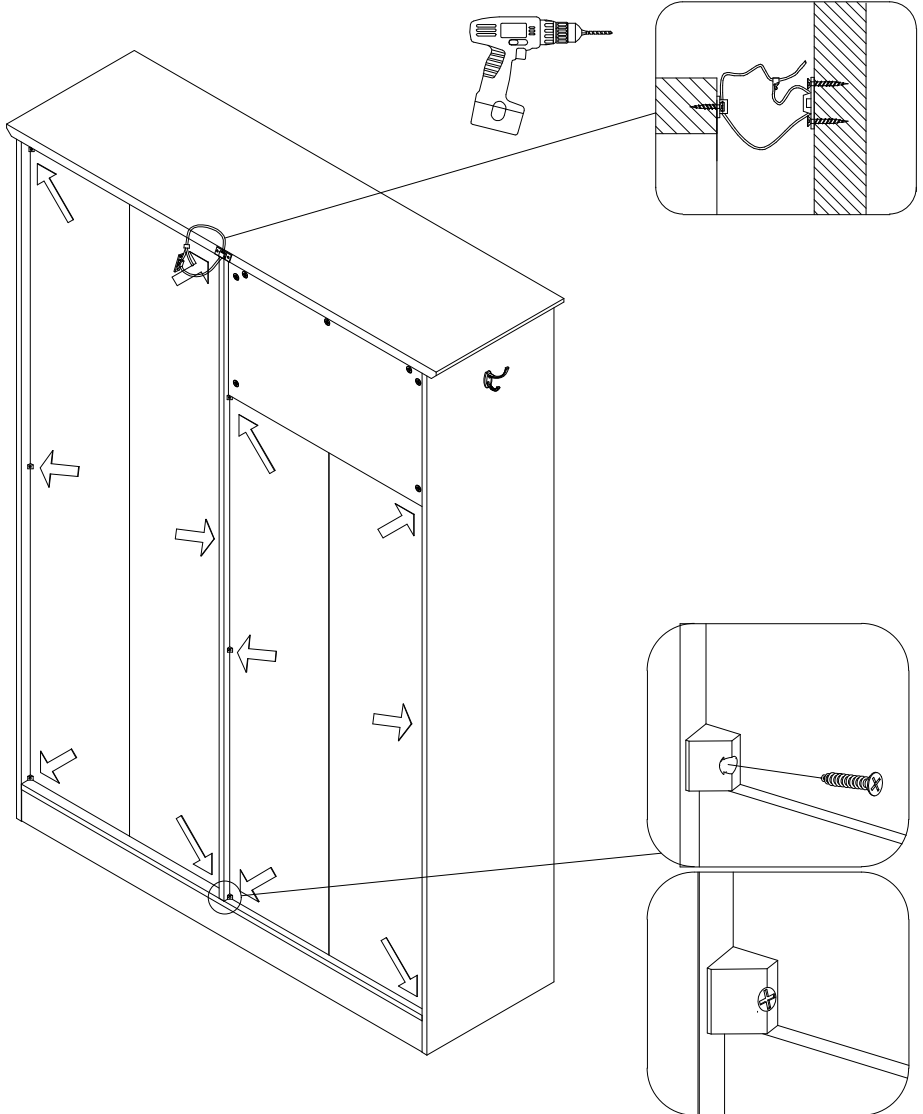


[x1]

K



[x2]



E



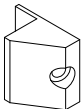
[×12]

Q



[×1]

F



[×12]