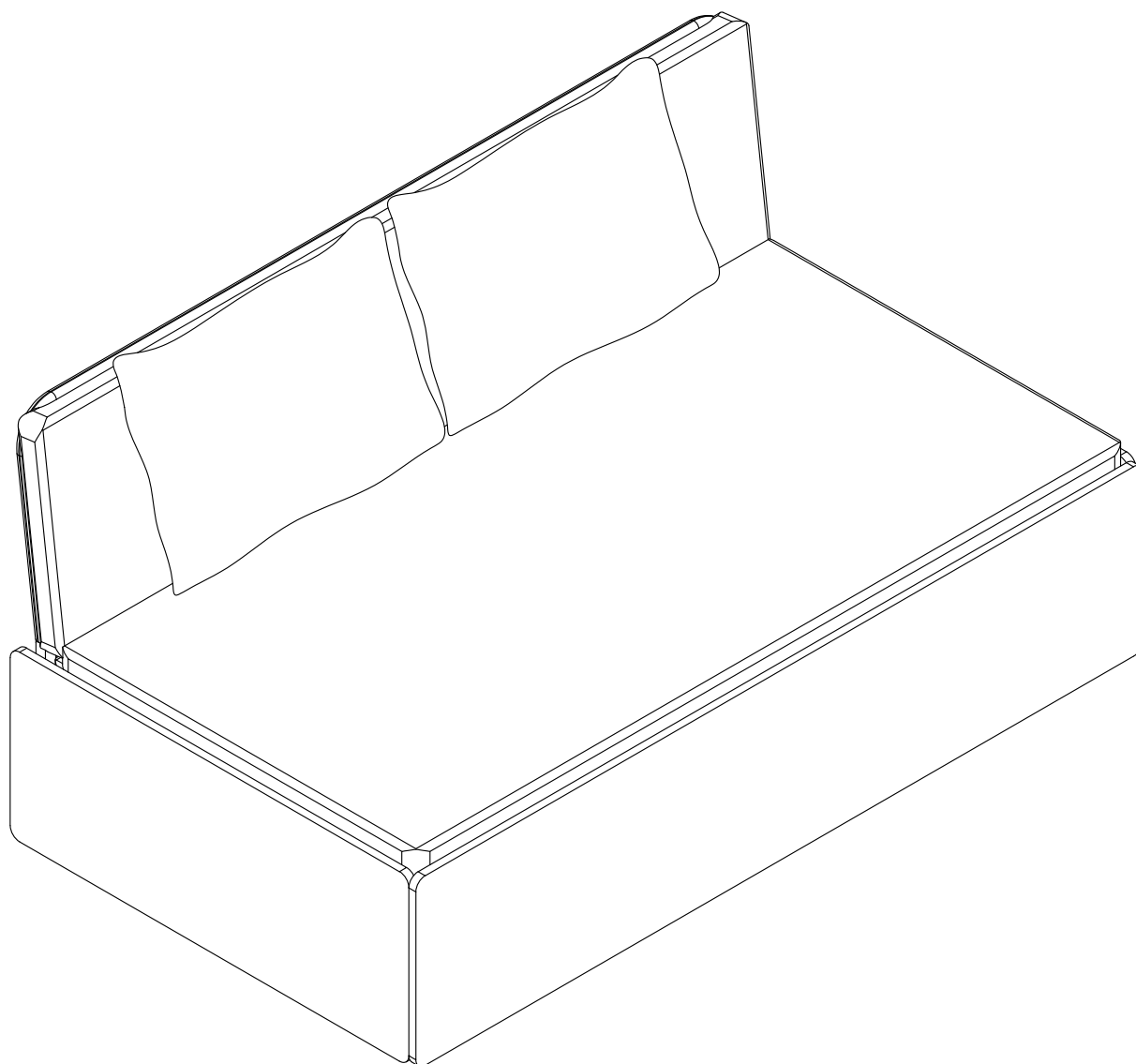
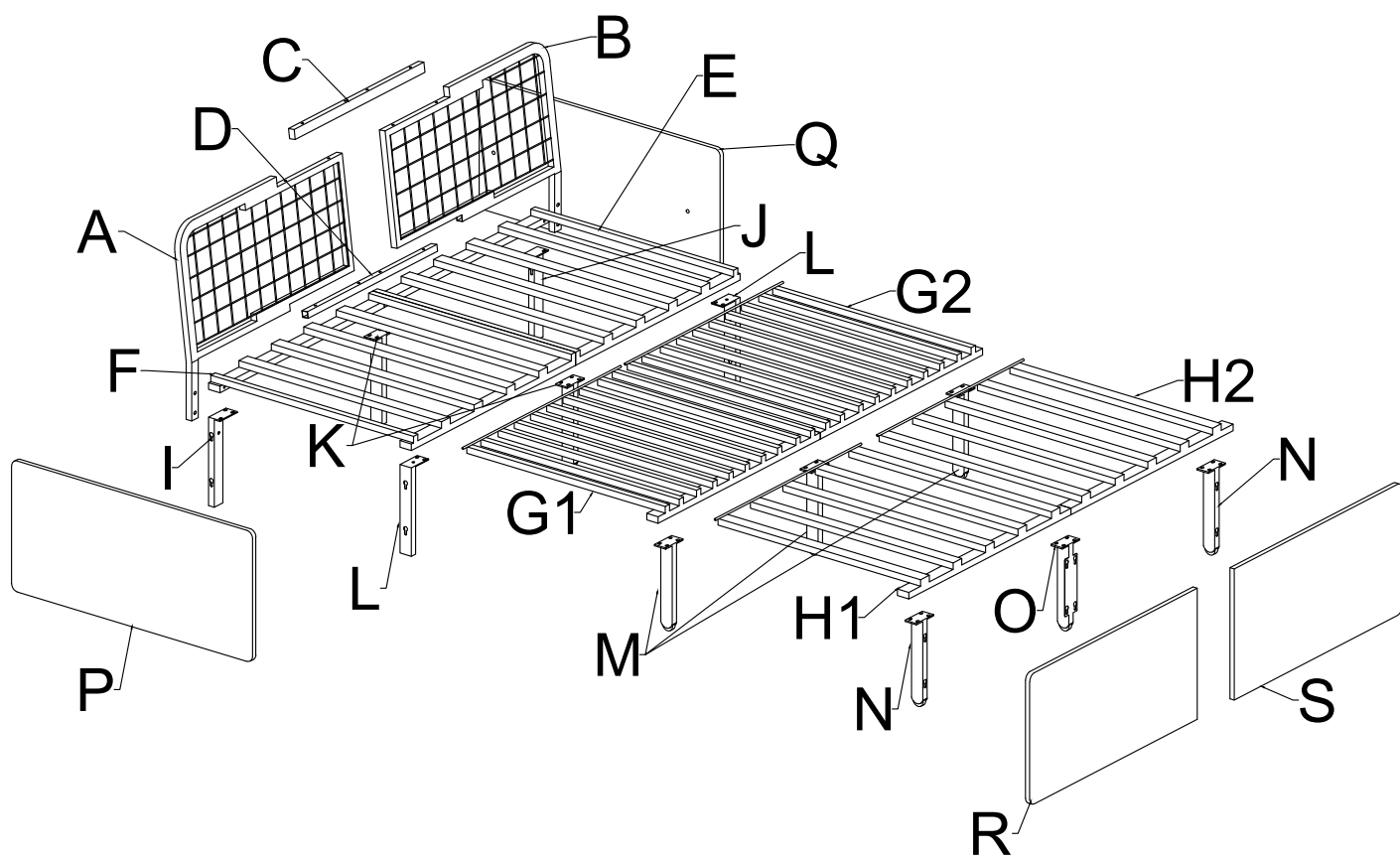
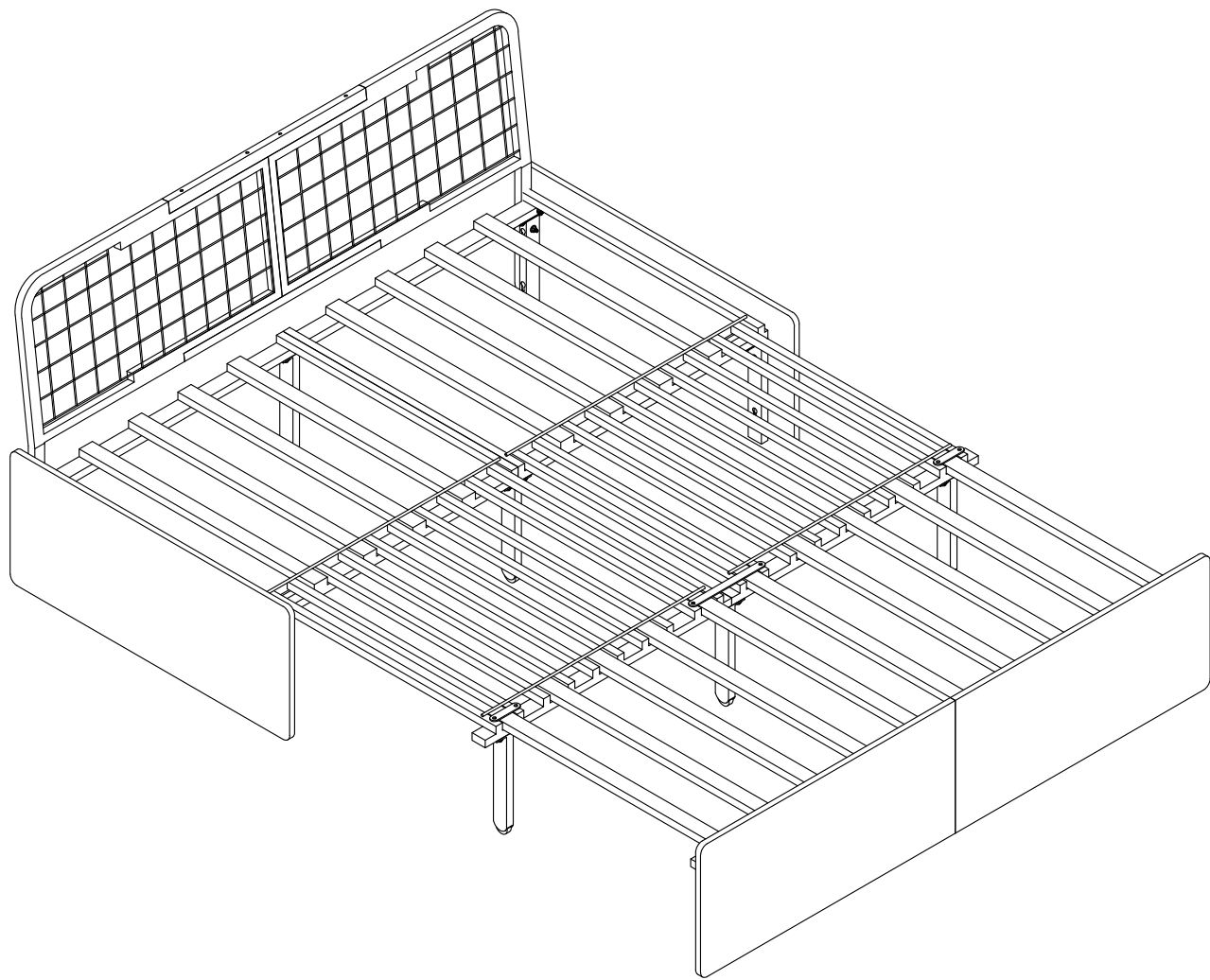
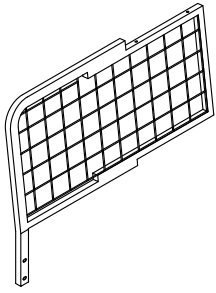


ASSEMBLY INSTRUCTION

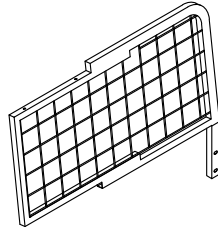




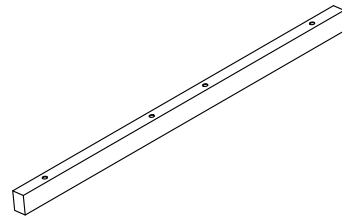
Part List



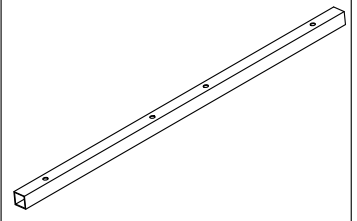
A x 1



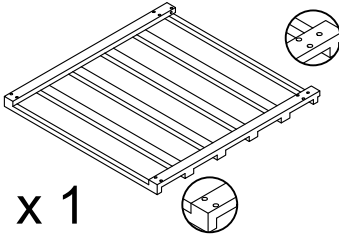
B x 1



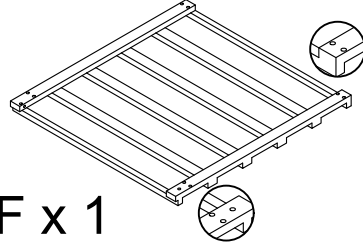
C x 1



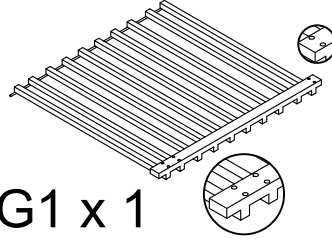
D x 1



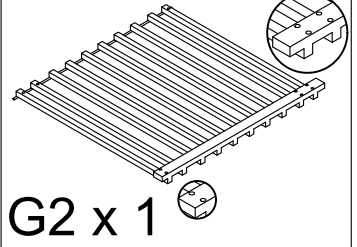
E x 1



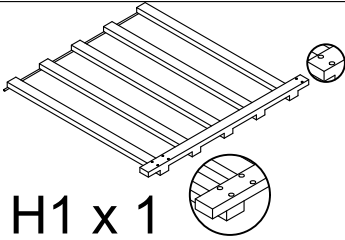
F x 1



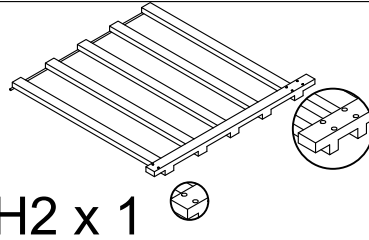
G1 x 1



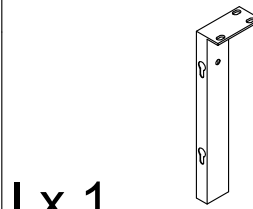
G2 x 1



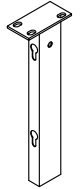
H1 x 1



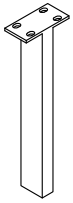
H2 x 1



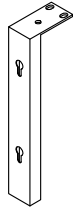
I x 1



J x 1



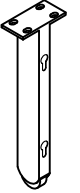
K x 2



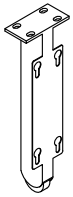
L x 2



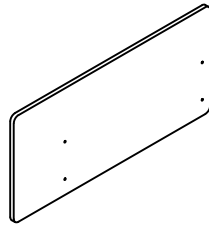
M x 3



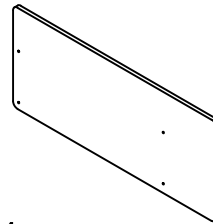
N x 2



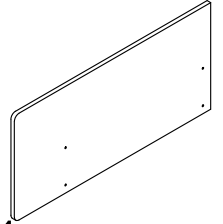
O x 1



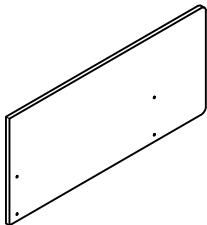
P x 1



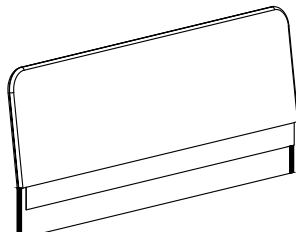
Q x 1



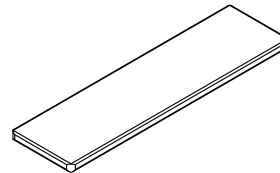
R x 1



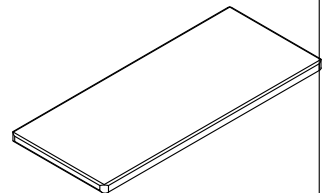
S x 1



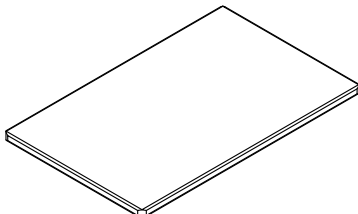
T x 1



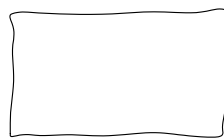
U x 1



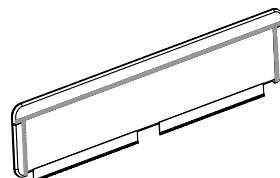
V x 1



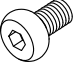
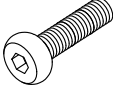
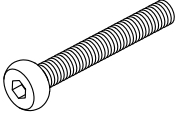
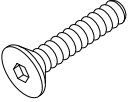
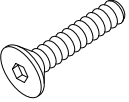


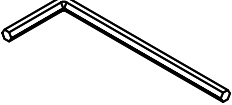

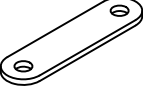
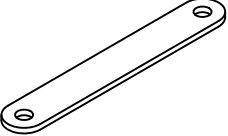


W x 1



X x 2

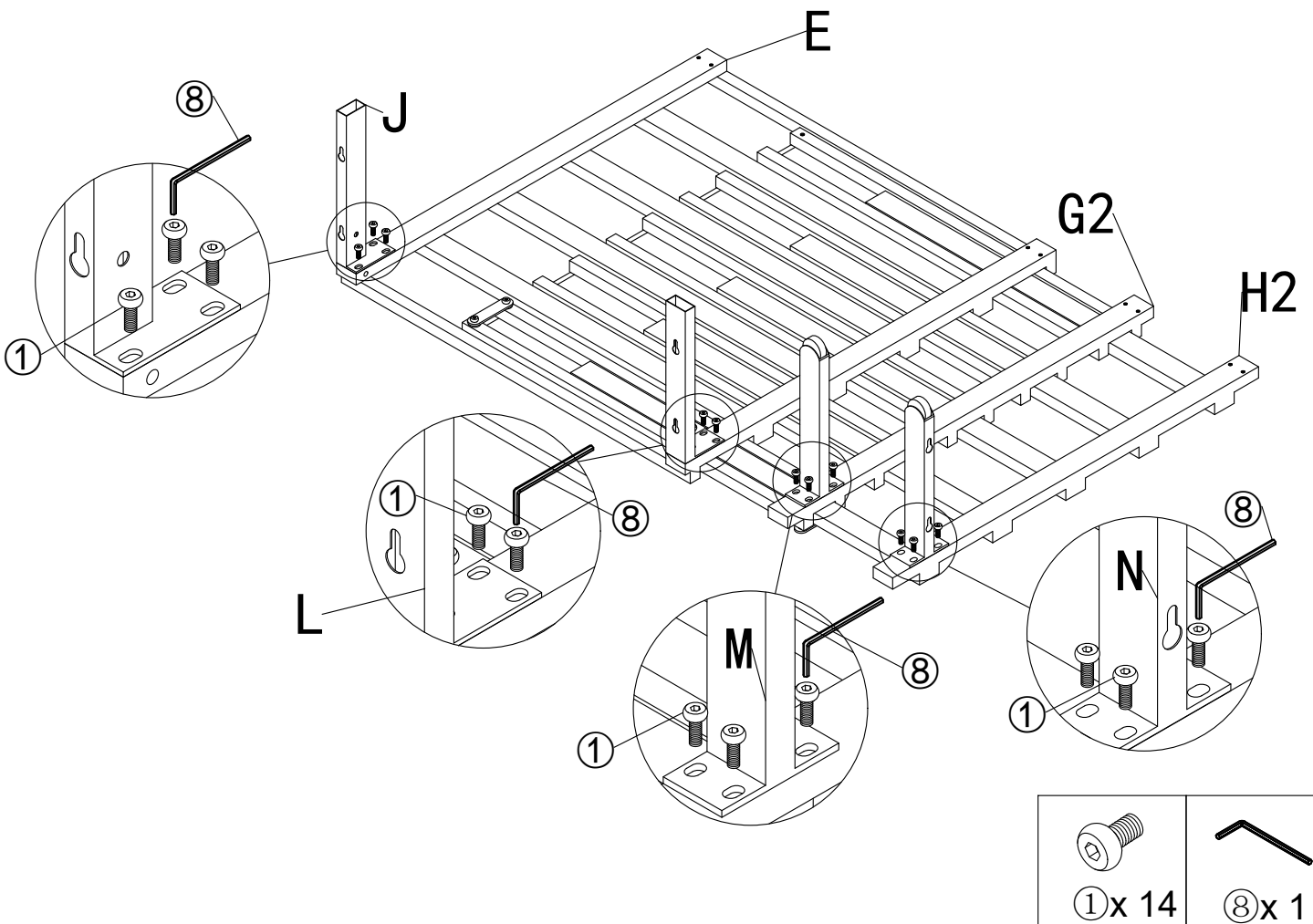


Y x 1

① x 64  M6x16	② x 2  M6x55	③ x 2  M6x70	④ x 4  M6x35	⑤ x 4  M6x40
⑥ x 8 	⑦ x 4  M6	⑧ x 1  5mm Allen Key	⑨ x 1  10#	⑩ x 1 
⑪ x 1 	⑫ x 4 	⑬ x 1  4mm Allen Key		

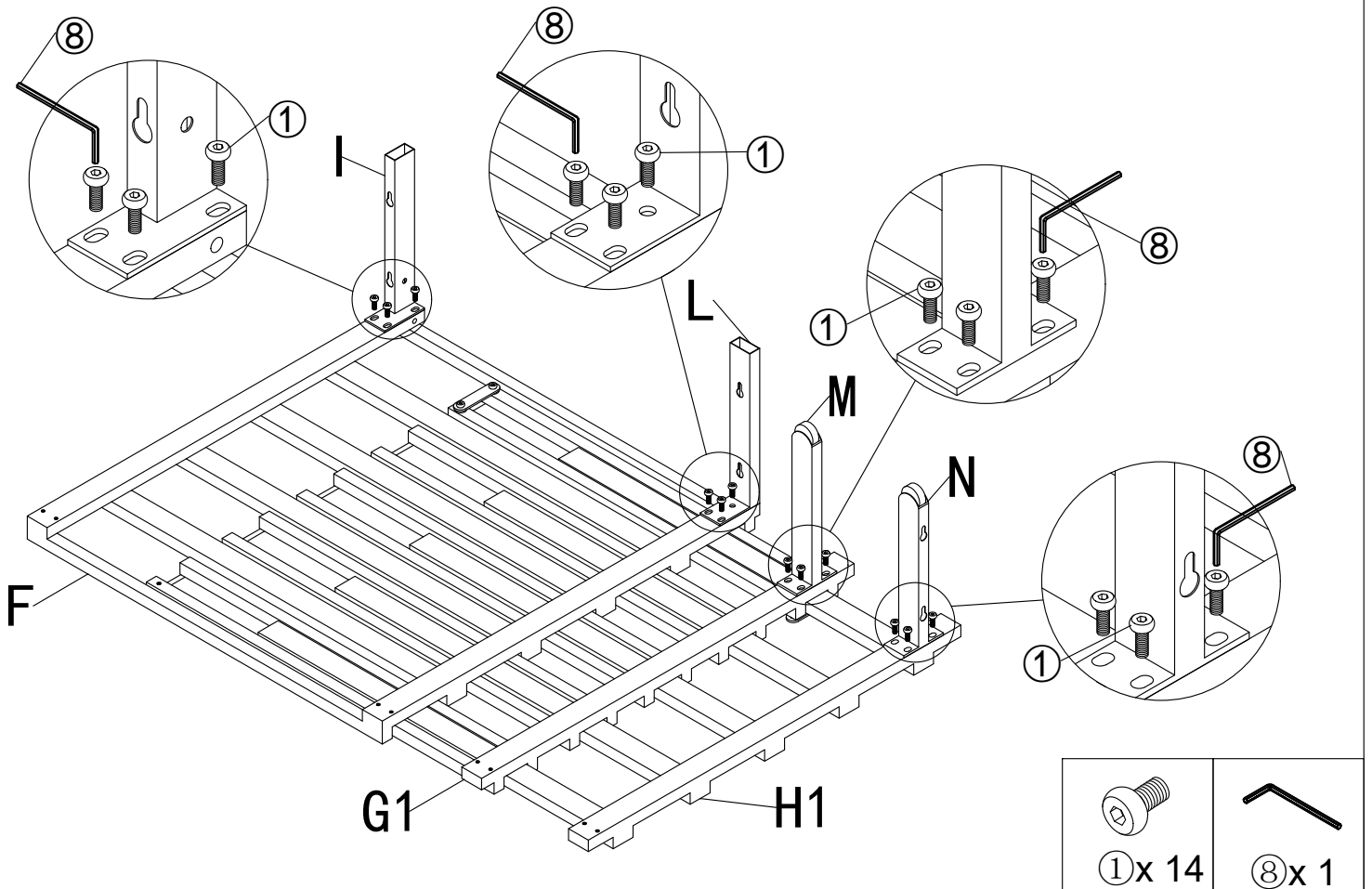
Step 1

Installing parts G and parts H, please connect the holes as well as possible, as shown in the figure

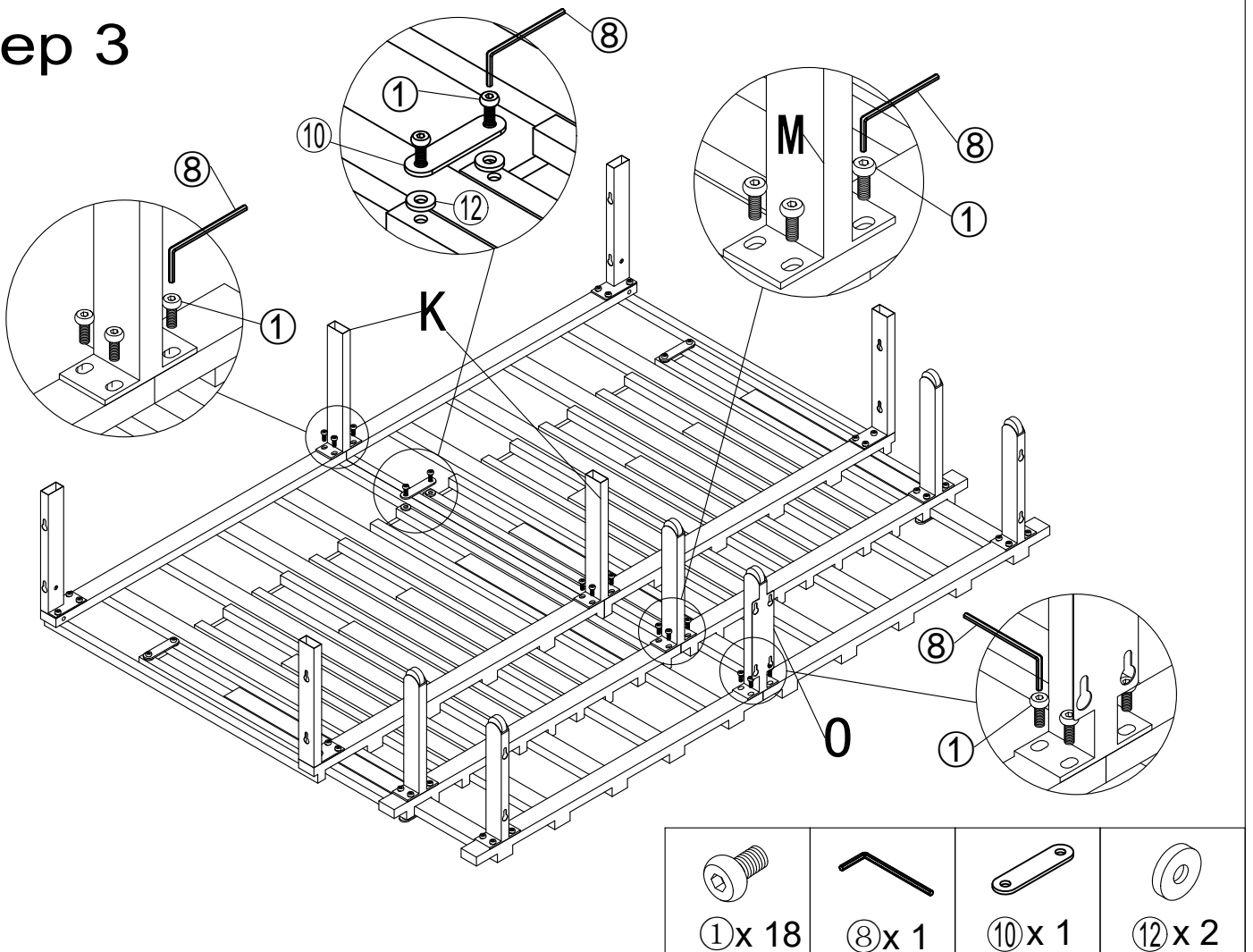


Step 2

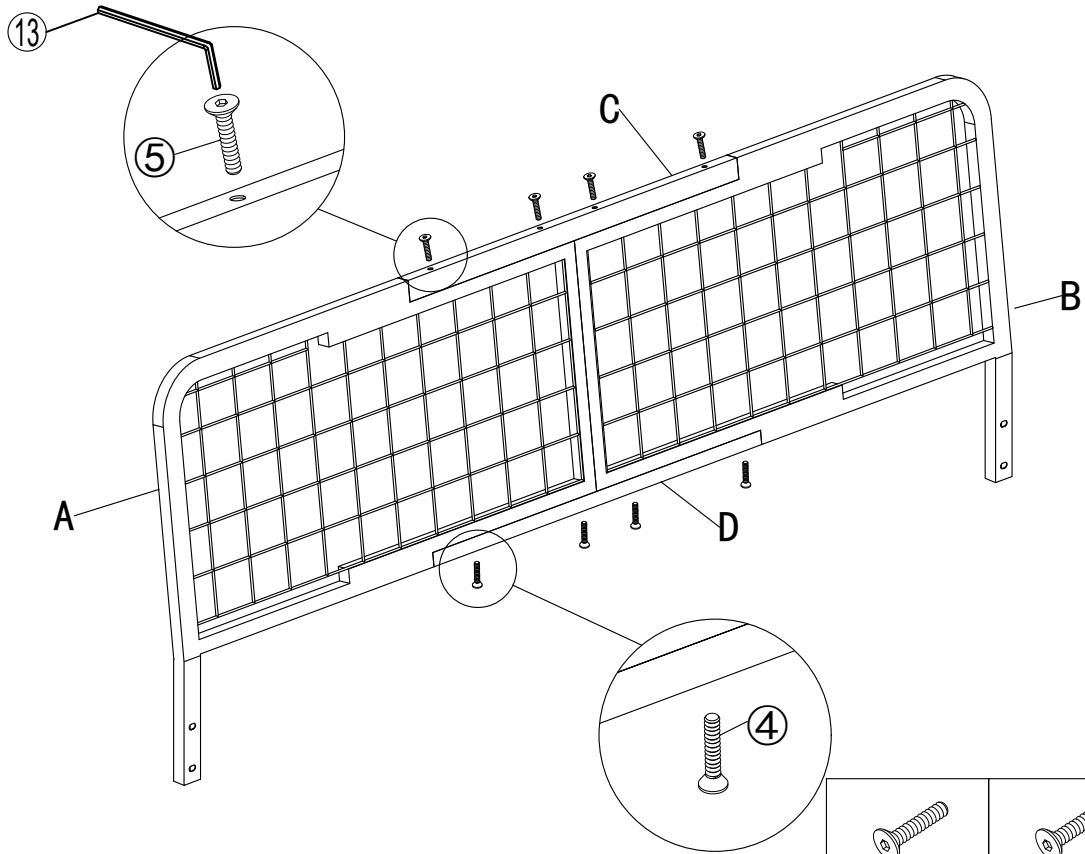
Installing parts G and parts H, please connect the holes as well as possible, as shown in the figure



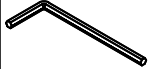


Step 3

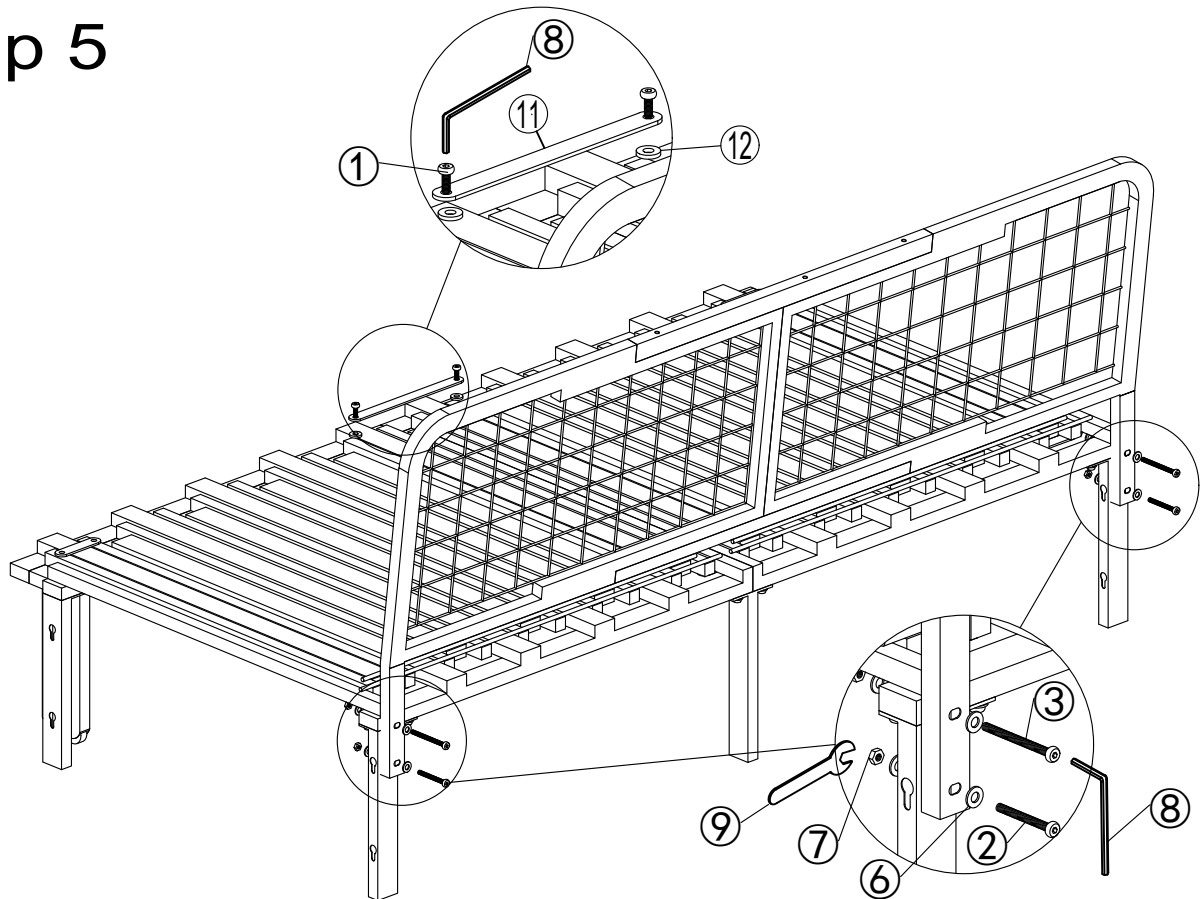



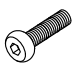
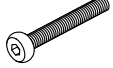


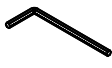



Step 4



		
④ x 4	⑤ x 4	⑬ x 1

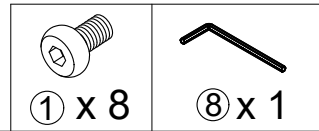
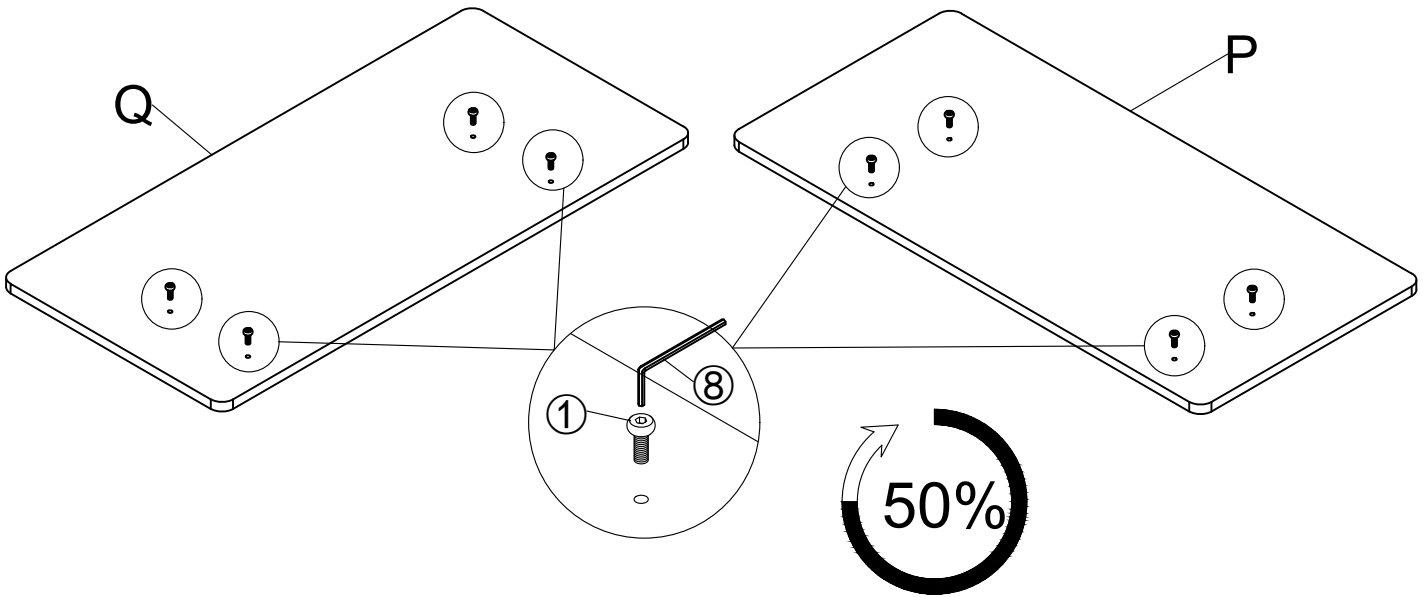
Step 5



								
① x 2	② x 2	③ x 2	⑥ x 8	⑦ x 4	⑧ x 1	⑨ x 1	⑪ x 1	⑫ x 2

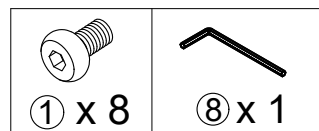
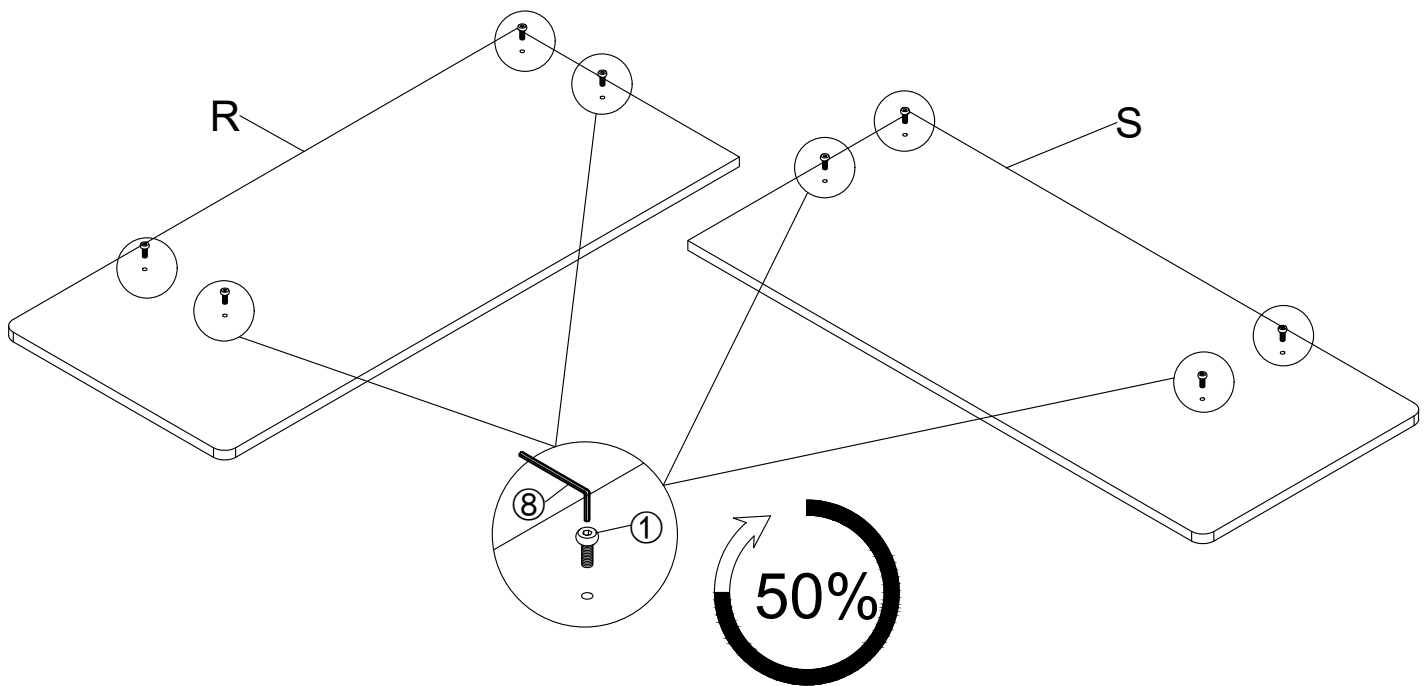
Step 6

Note the 50% status of screw No. 1



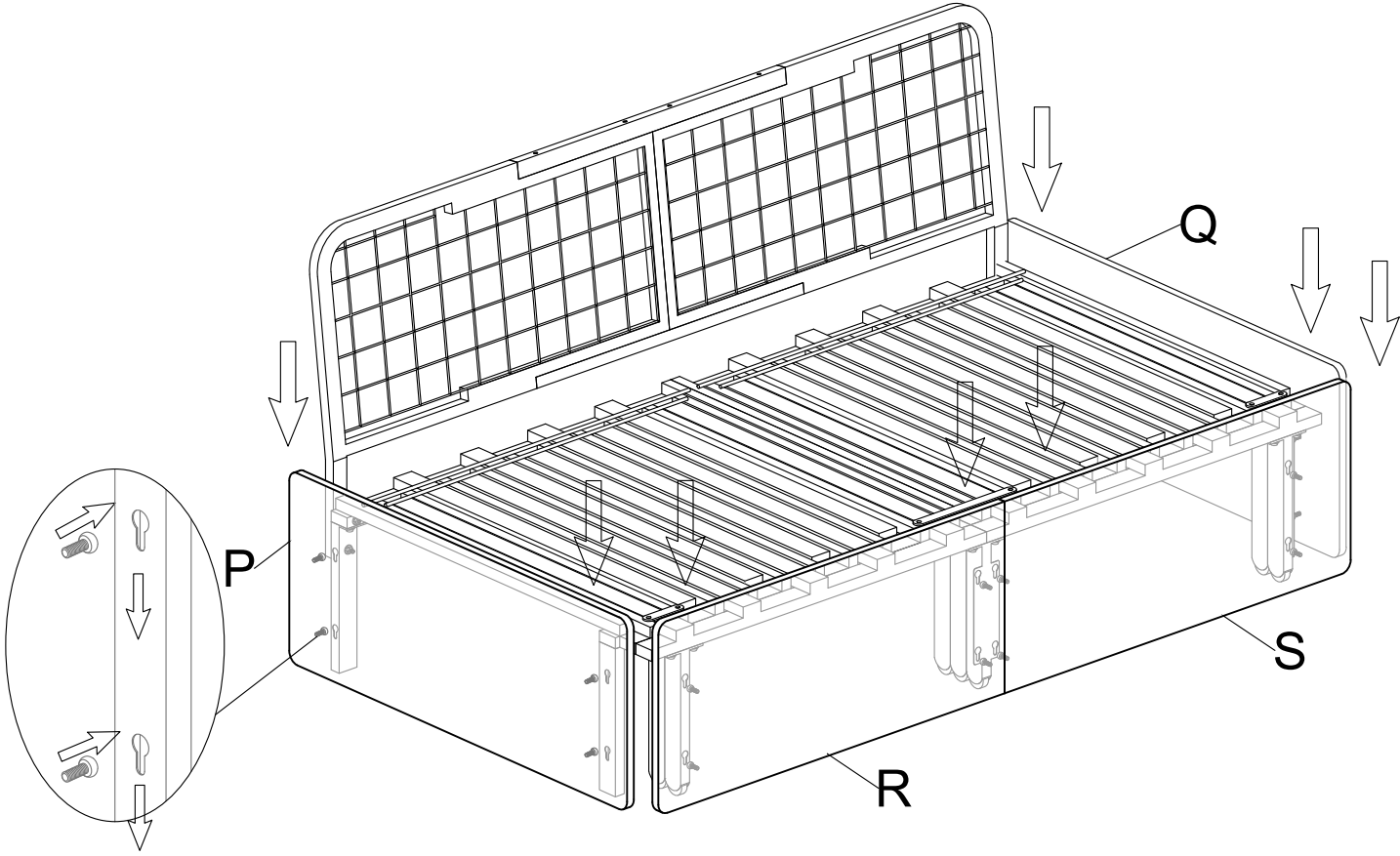
Step 7

Note the 50% status of screw No. 1



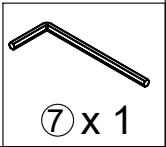
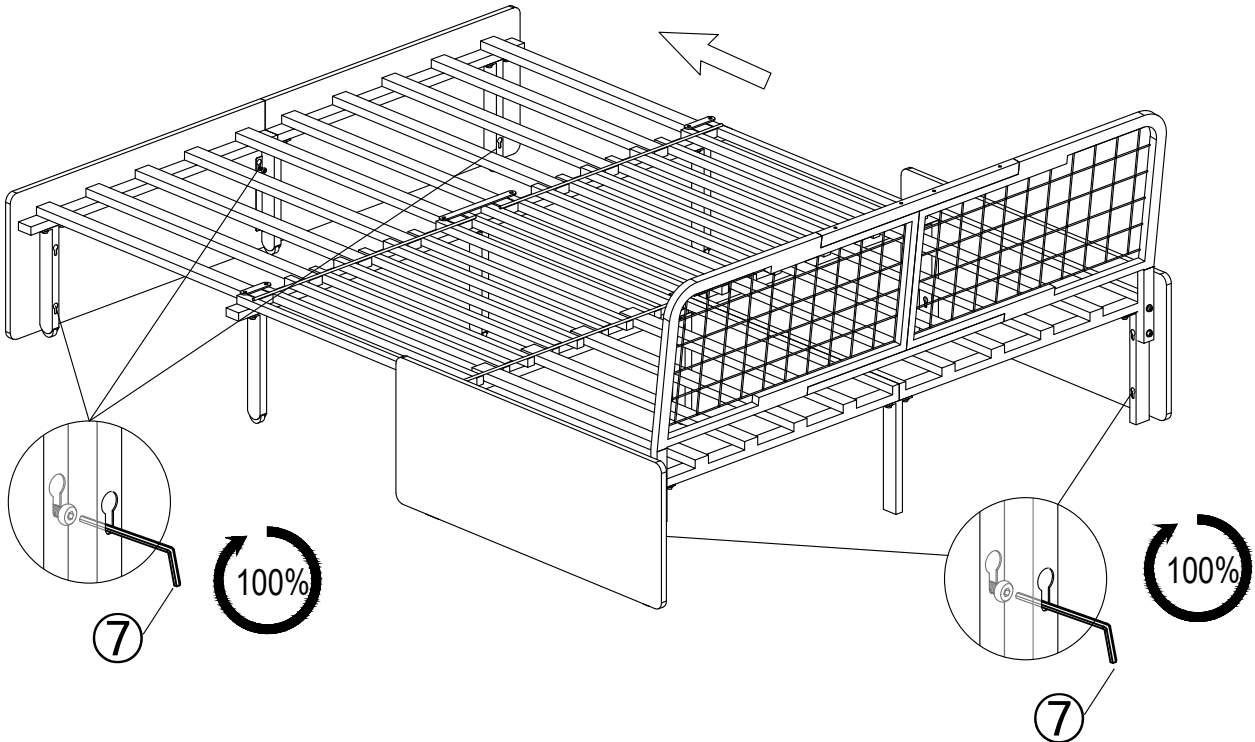
Step 8

Installation parts Q Installation parts P Installation parts R Installation parts S is placed in the hole position and then rolled downwards to install

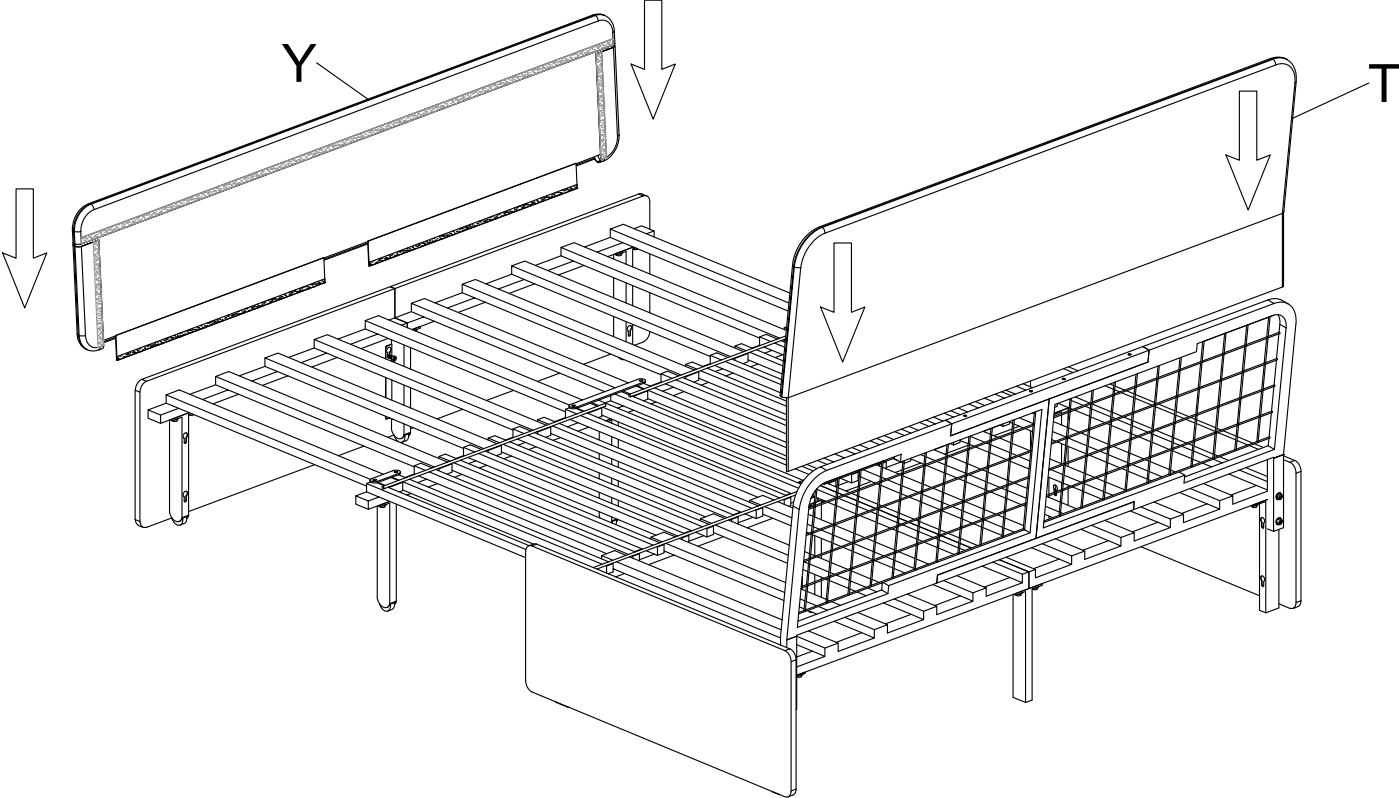


Step 9

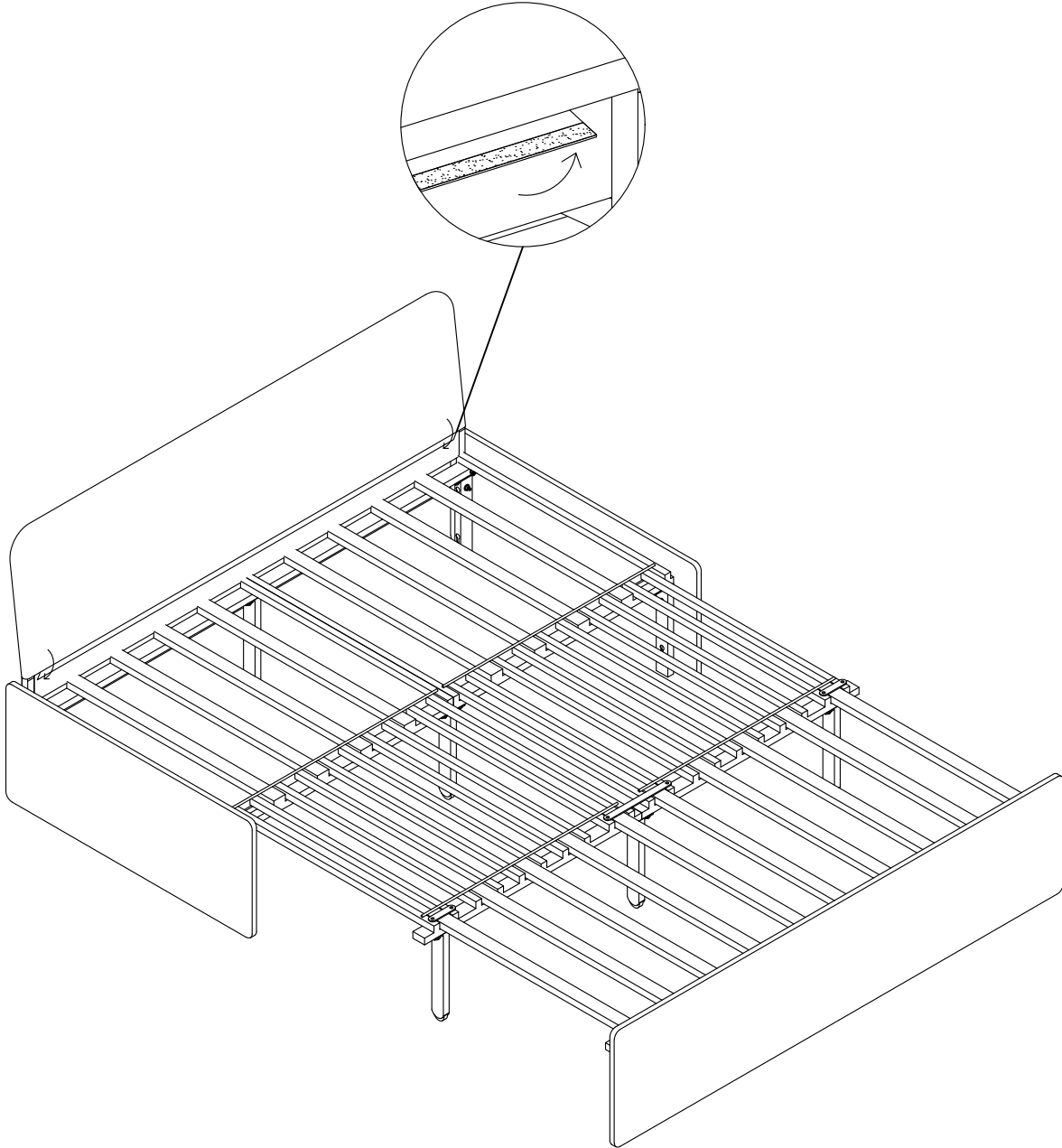
Please note that all screws are tightened 100%.
Otherwise, the overall shaking will occur and cause the fall off.



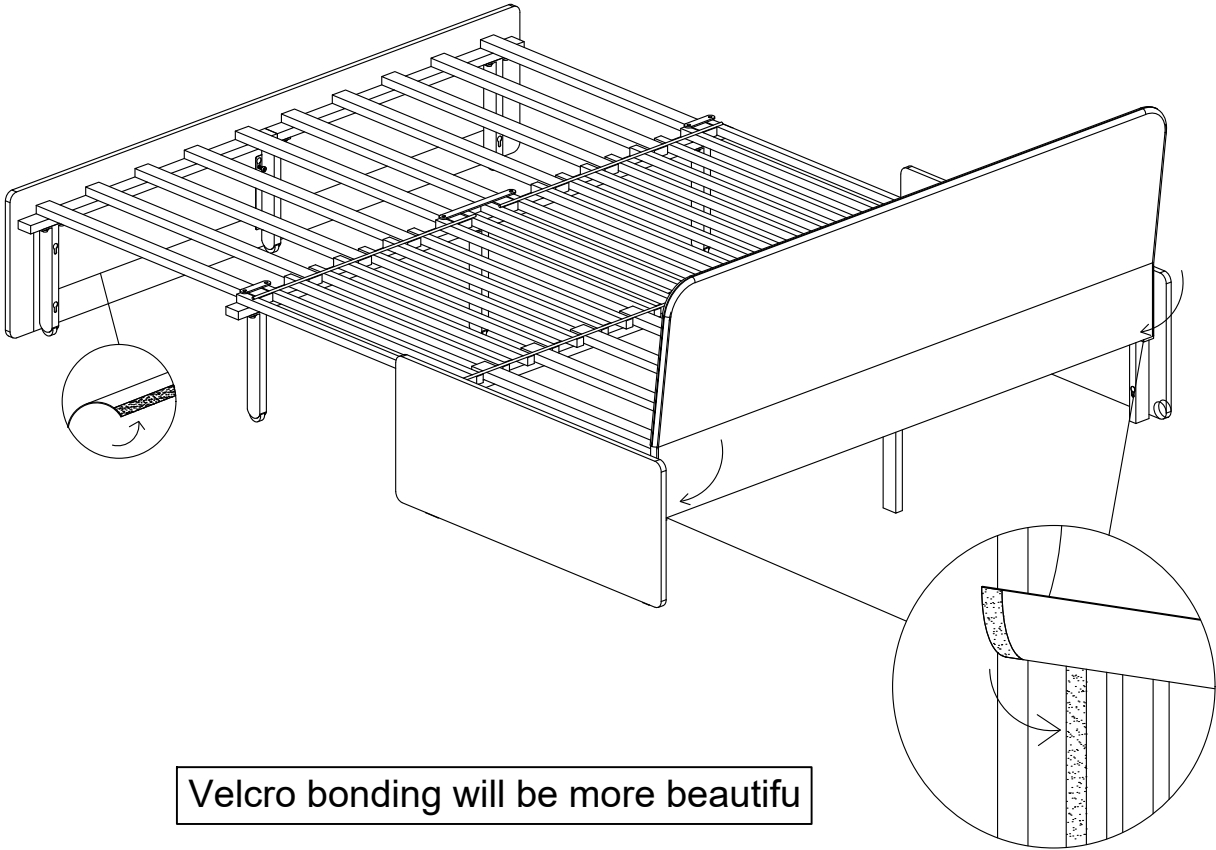
Step 10



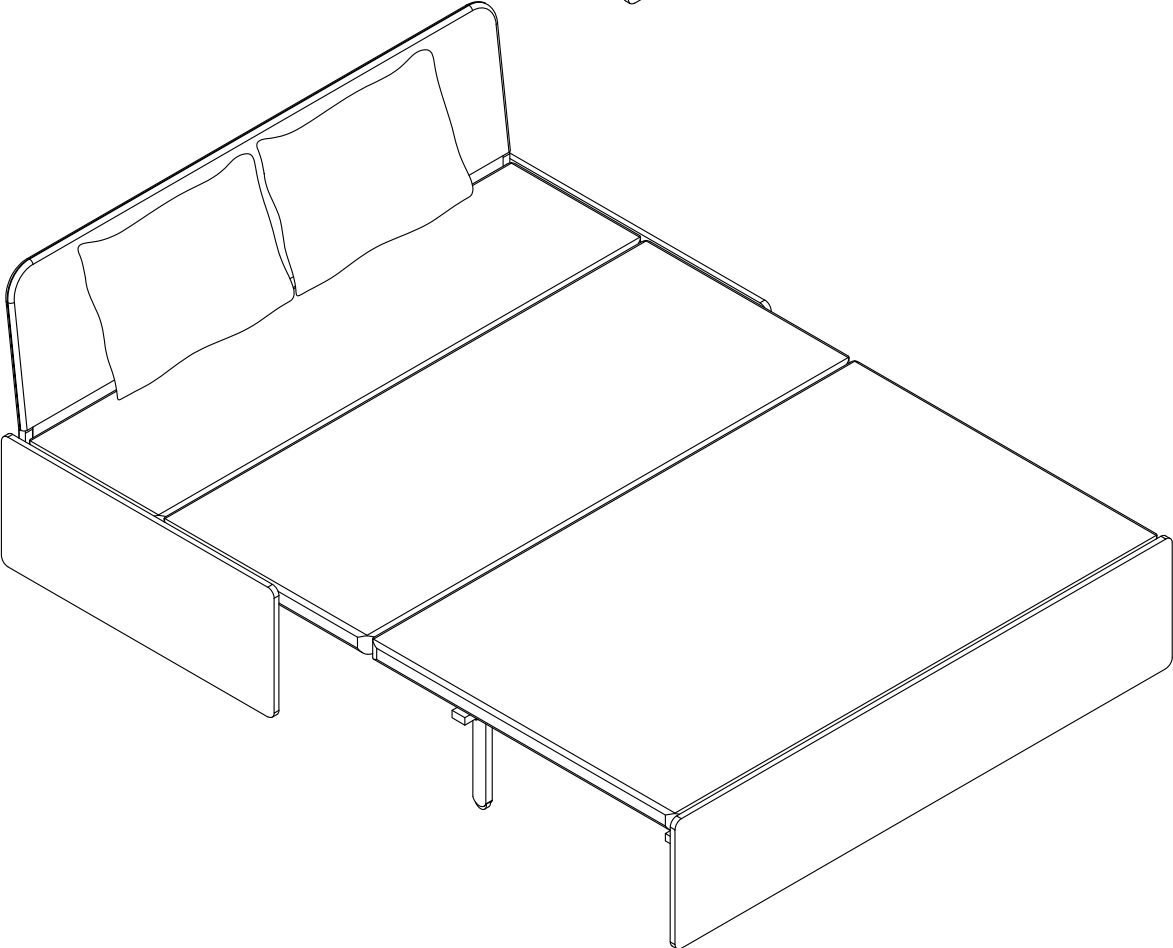
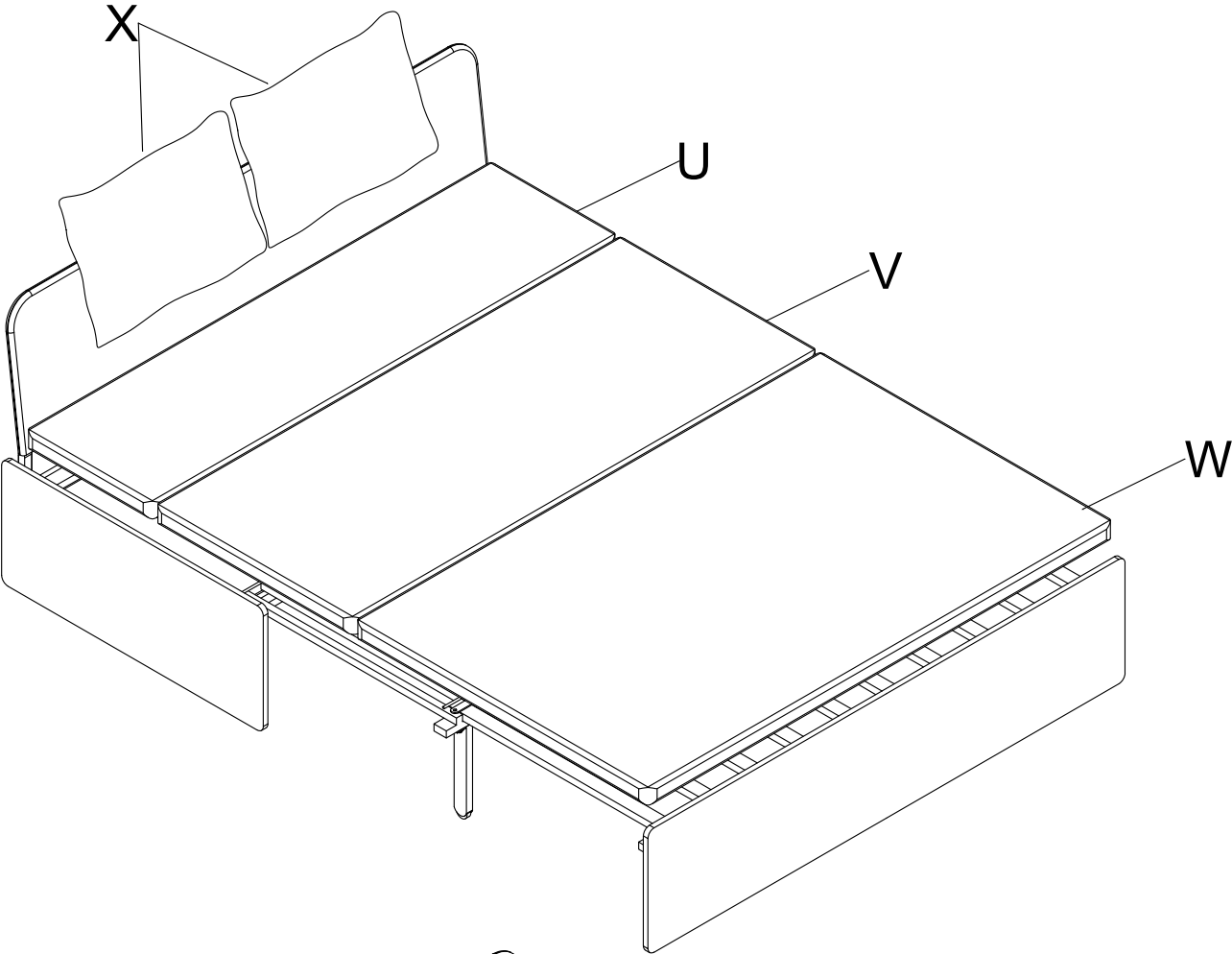
Step 11



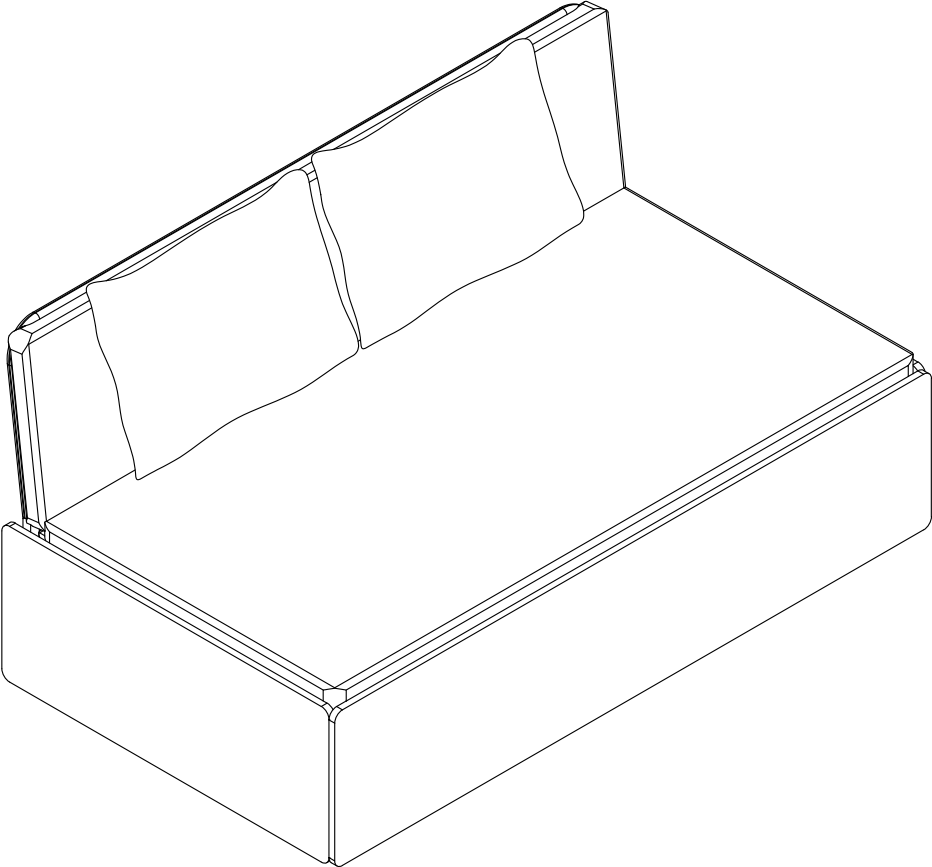
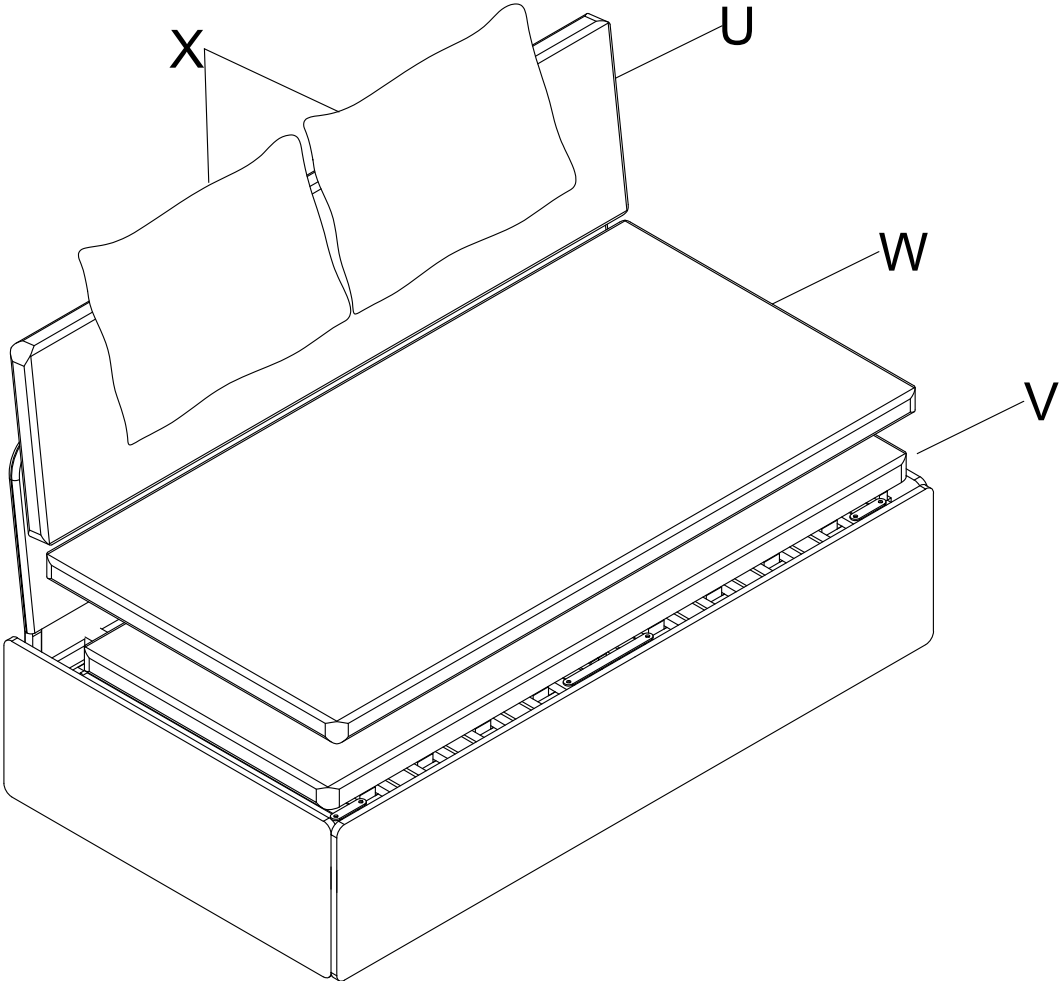
Step 12



Step 14

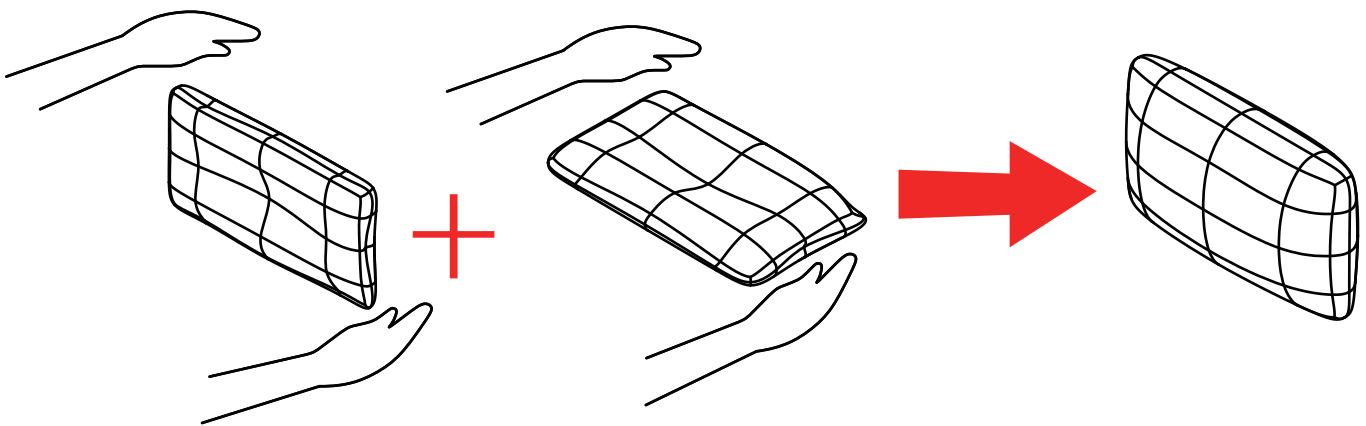


Step 15

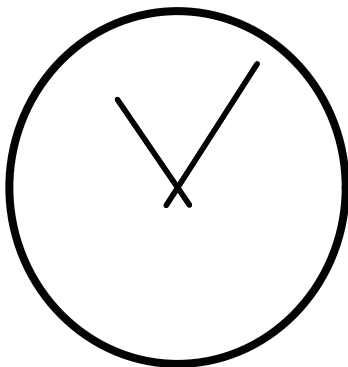


Tips:

1. The modular sofa maybe comes in different boxes, might be delivered at different times.
Please wait several days patiently.
2. Due to differences of light effects, the actual color of the materials might be slightly different from the pictures.
3. Due to package compression for better shipment, the fabric may have wrinkles.
4. Please take all packages out and pat every part to make it rebound better and fluffy, so that it can restore to picture-like status.
5. Please keep plastic bags away from children.
6. Please keep away from fire.



1. Repeatedly tap the sides and front and back to make it rebound better and fluffy.
2. Knead your cushion like giving your cushion a massage while allowing the air to flow through the foam.



72h

It might takes up to 72 hours.