

# ASSEMBLY INSTRUCTIONS

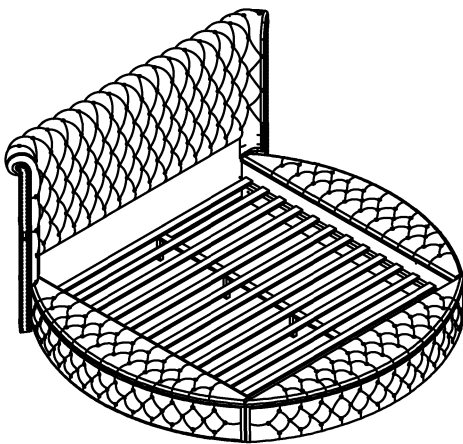
DESCRIPTION: QUEEN / KING BED

Thank you for purchasing this quality product. Be sure to check all packing material carefully for small parts that may have come loose inside the carton during shipment.

## TOOLS REQUIRED (Not provided)



Phillips Screwdriver



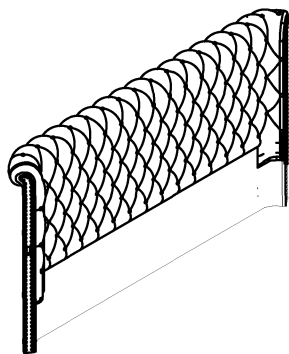
## PARTS LIST

NO.	DESCRIPTION	SKETCH	Q'TY
1.	HEADBOARD PANEL		1PC
2.	STORAGE FOOTBOARD		1PC
3.	TOP PANEL OF SIDE STORAGE		2PCS
4.	BOTTOM PANEL OF SIDE STORAGE		2PCS
5.	STRAIGHT SIDE RAIL		2PCS
6.	CURVE OF SIDE STORAGE		2PCS
7.	SLATS ROLL		1SET
8.	CENTER RAIL		1PCS
9.	SUPPORT LEGS		4PCS

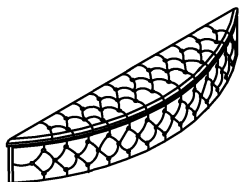
## HARDWARE LIST

NO.	DESCRIPTION	SKETCH	SIZE	Q'TY
A.	BOLT		5/16" * 45MM	16PCS
B.	SPRING WASHER		5/16"	20PCS
C.	FLAT WASHER		5/16" * 19MM	24PCS
D.	ALLEN KEY		4MM	1PC
F.	BOLT		5/16" * 65MM	4PCS
G.	NUT		5/16"	4PCS
H.	SCREW		D8 * 35MM	26PCS
I.	WRENCH		12MM	1PC

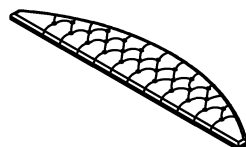
## PART LISTS



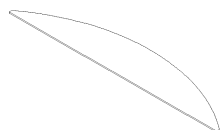
① \*1PC



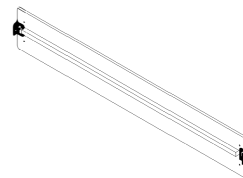
② \*1PC



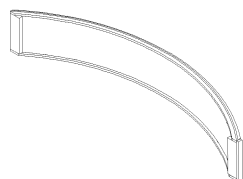
③ \*2PCS



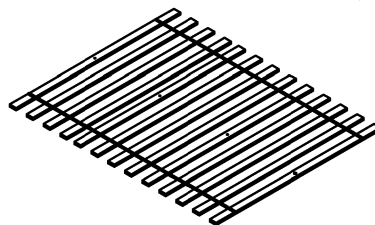
④ \*2PCS



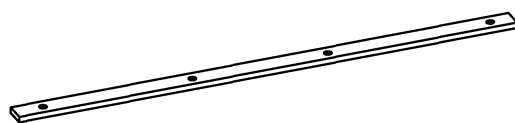
⑤ \*2PCS



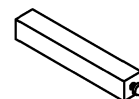
⑥ \*2PCS



⑦ \*1SET



⑧ \*1PC



⑨ \*4PCS

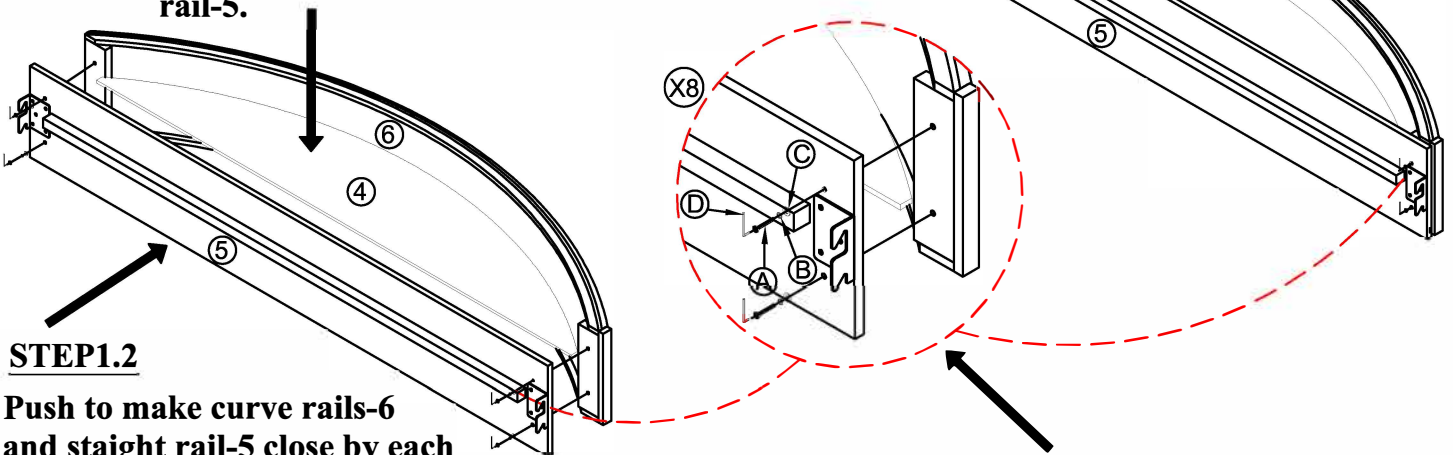
# ASSEMBLY INSTRUCTIONS

DESCRIPTION: QUEEN / KING BED

Thank you for purchasing this quality product. Be sure to check all packing material carefully for small parts that may have come loose inside the carton during shipment.

## STEP1

**STEP1.1** Place the bottom panel-4, on the supports wood of curve rails-6 and staight rail-5.

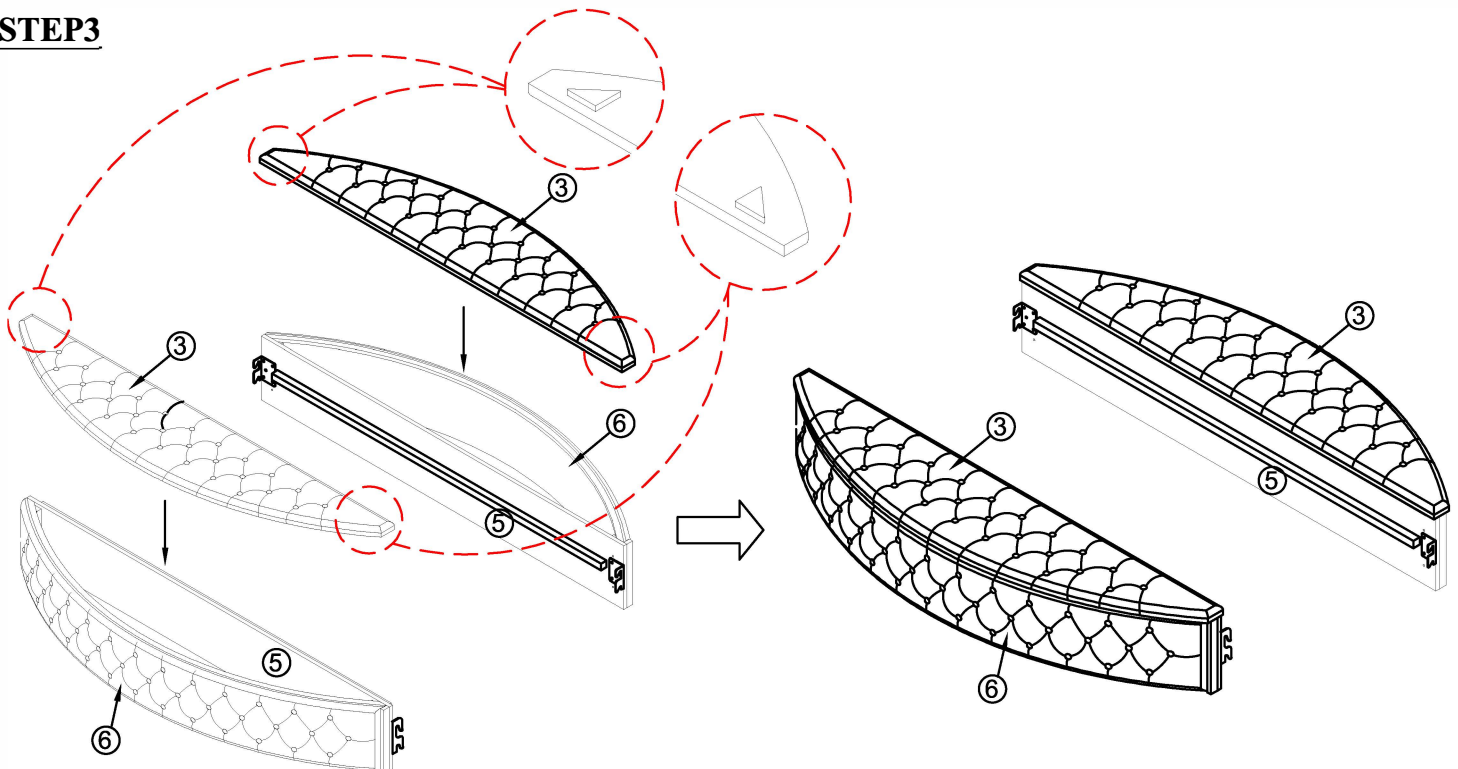


## STEP1.2

Push to make curve rails-6 and staight rail-5 close by each end sides and align the hole before using bolt to tightly.

**STEP2** Use 4pcs bolts to tightly the whole side cases.

## STEP3

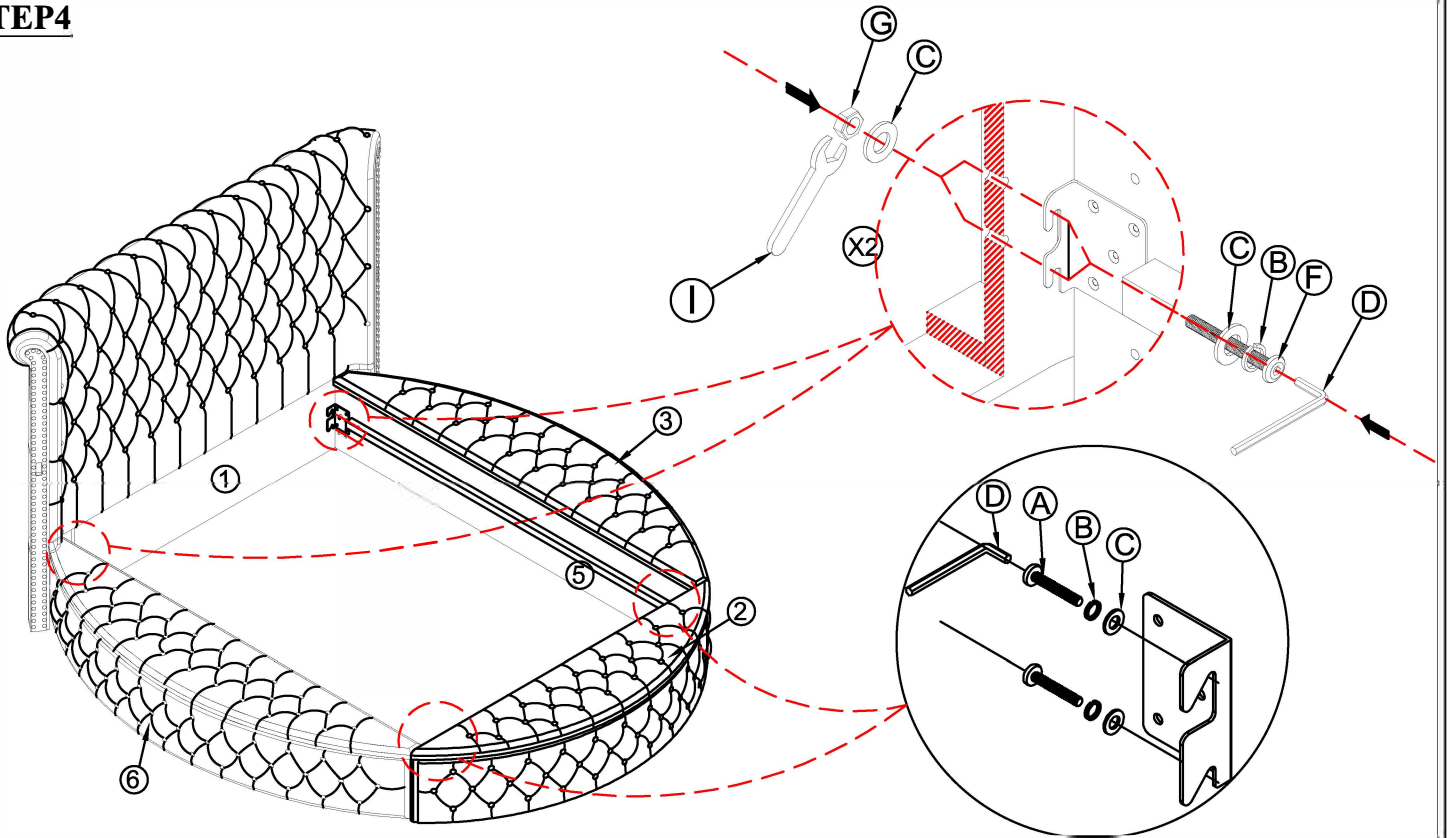


# ASSEMBLY INSTRUCTIONS

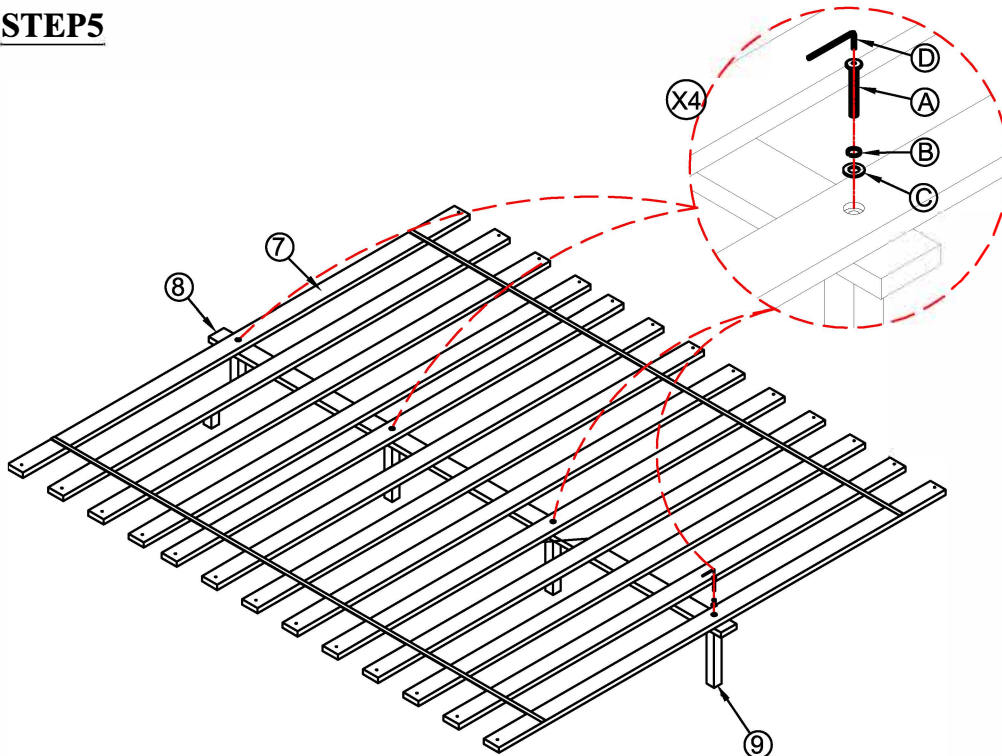
DESCRIPTION: QUEEN / KING BED

Thank you for purchasing this quality product. Be sure to check all packing material carefully for small parts that may have come loose inside the carton during shipment.

## STEP 4



## STEP 5

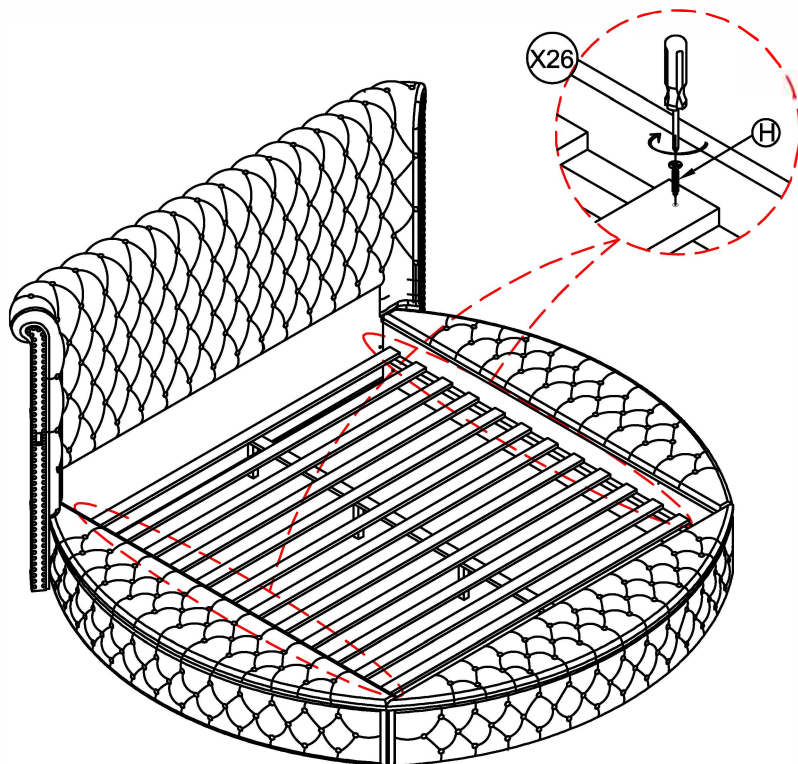


# ASSEMBLY INSTRUCTIONS

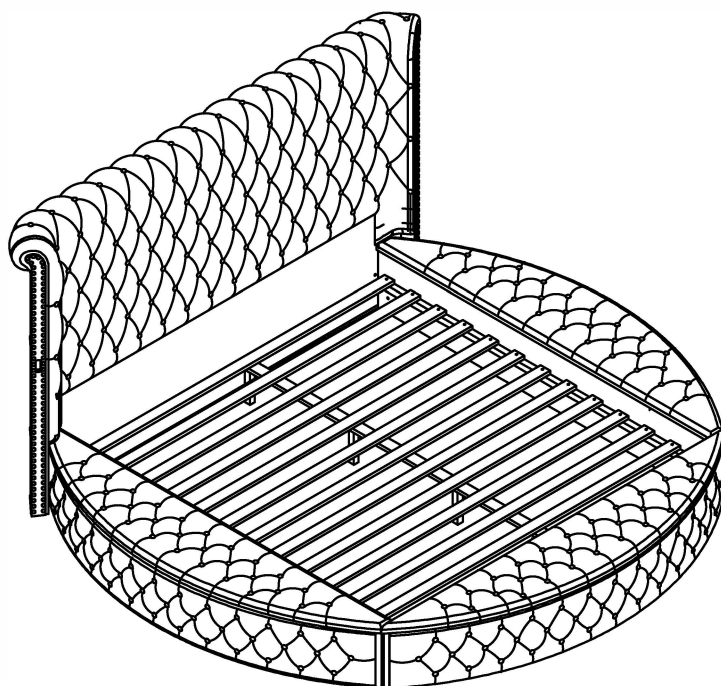
DESCRIPTION: QUEEN / KING BED

Thank you for purchasing this quality product. Be sure to check all packing material carefully for small parts that may have come loose inside the carton during shipment.

## STEP 6



**ASSEMBLY COMPLETE**



# CARING FOR YOUR FURNITURE

Fine wood furniture is a treasured possession in any home, and with good care, it can last for generations. Upholstered furniture provides us with comfort, color and texture. Who doesn't love sinking into the cushioned softness of a favorite sofa?

## Fine wood furniture

### Care for fine furniture with these recommendations:

Avoid heat and light. In a natural state, wood contains a surprising amount of moisture. Preserving appropriate moisture levels is key to the preservation of furniture. Accordingly, position wood furniture away from heating vents, fireplaces or radiators. Don't store furniture in attics, where temperature and humidity levels vary widely from summer to winter, day and night. Avoid placing furniture in areas where it will sit in direct sunlight, which can fade fine furniture; use drapes, sheers or protective window films to guard against the sun's rays. Protect from damage. Everyday life can be hard on wood furniture. Moisture from sweating beverage glasses leaves round rings in the finish, while the heat from a hot dish can ruin the wood finish beneath. Provide cork- or felt-bottomed coasters if you will set glasses or mugs on wood, and always use trivets to support hot serving dishes. Place mats, tablecloths or padded table covers protect dining room tables from spills or scrapes. Clean safely. Dust frequently. Occasionally, wood furniture will require heavier cleaning. Using a natural sponge, moisten it with oil soap and wring out most of the water. Gently stroke the furniture to loosen soil. Rinse the residue from the wood with a sponge wrung out in clear water, and then dry the piece with fresh cleaning cloths. Dust furniture often with barely damp white cotton cleaning cloth. Microfiber cloths do a good job of attracting and removing fine blown-in soil. Avoid using a feather duster, as a broken quill can scratch and damage delicate finishes. Dust damp. Dusting with a dry cloth can scratch, so lightly spritz your cleaning cloth with water, a spray dusting agent or wood polish. Never spray furniture directly, as over-spray can leave a difficult-to-remove film. Follow the grain of the wood as you dust to avoid cross-grain scratches.

Frequent dusting removes dirt before it has a chance to settle in and make itself at home.

## Upholstered furniture

Dust and dirt act like sandpaper on furniture fabric, so remove it frequently. Vacuum upholstered furniture weekly; lift cushions and use the crevice tool to remove hidden crumbs beneath. Keep upholstered furniture looking new with these tips:

Flip, swap and rearrange. Being territorial creatures, most humans gravitate to their favorite places but when it's the same seat on a long sofa day after day, that preference will start to show. Flip loose cushions regularly, and rotate them on a multi-cushion unit. Similarly, rearrange upholstered furniture once or twice a year to distribute wear more evenly. Switch the position of a love seat and a sofa, or swap the positions of a set of chairs as the seasons change. Arm caps. Places where bare skin or hair come to rest — armrests, chair backs, seat cushions — are subjected to higher levels of soil and abrasion. Protect high-contact areas of upholstered furniture with arm caps tailored to fit snugly over chair and sofa arms. Slipcovers. In areas with hot summer weather, consider washable slipcovers. Traditionally applied to furniture during the warm season, slipcovers protect against sweat, suntan oil and other summer hazards. Fabric protection. Spray-on fabric protectors coat fibers and protect upholstery from spills and stains. Fabric protectors can be applied at the mill as the fabric is processed, by the furniture retailer, or at home using commercial spray products. If you apply fabric protection yourself, read the product instructions and observe safety procedures carefully.

## Caring for leather furniture

Leather upholstery can last for many years if looked after correctly. Follow these tips to take good care of leather furnishings: Keep away from heat and light. Leather furniture is very sensitive to heat and sun damage. Position it away from windows, and from heat sources such as fireplaces, radiators and central heating vents. Uncoated leathers. Furniture made from uncoated leathers should be dusted frequently. An art gum eraser may remove some stains or deposits safely, but do not use leather creams, conditioners or saddle soap on uncoated leather, since these products can change the color or appearance of the leather. Coated leathers. Vacuum regularly to remove surface soil. Commonly, leather creams or conditioners may be used to clean coated leather once or twice a year. Test leather cleaners in an

**inconspicuous spot before using.**

**Avoid unsuitable products. Never use oil, furniture polish, dusting sprays or ordinary stain removers on leather furniture.**