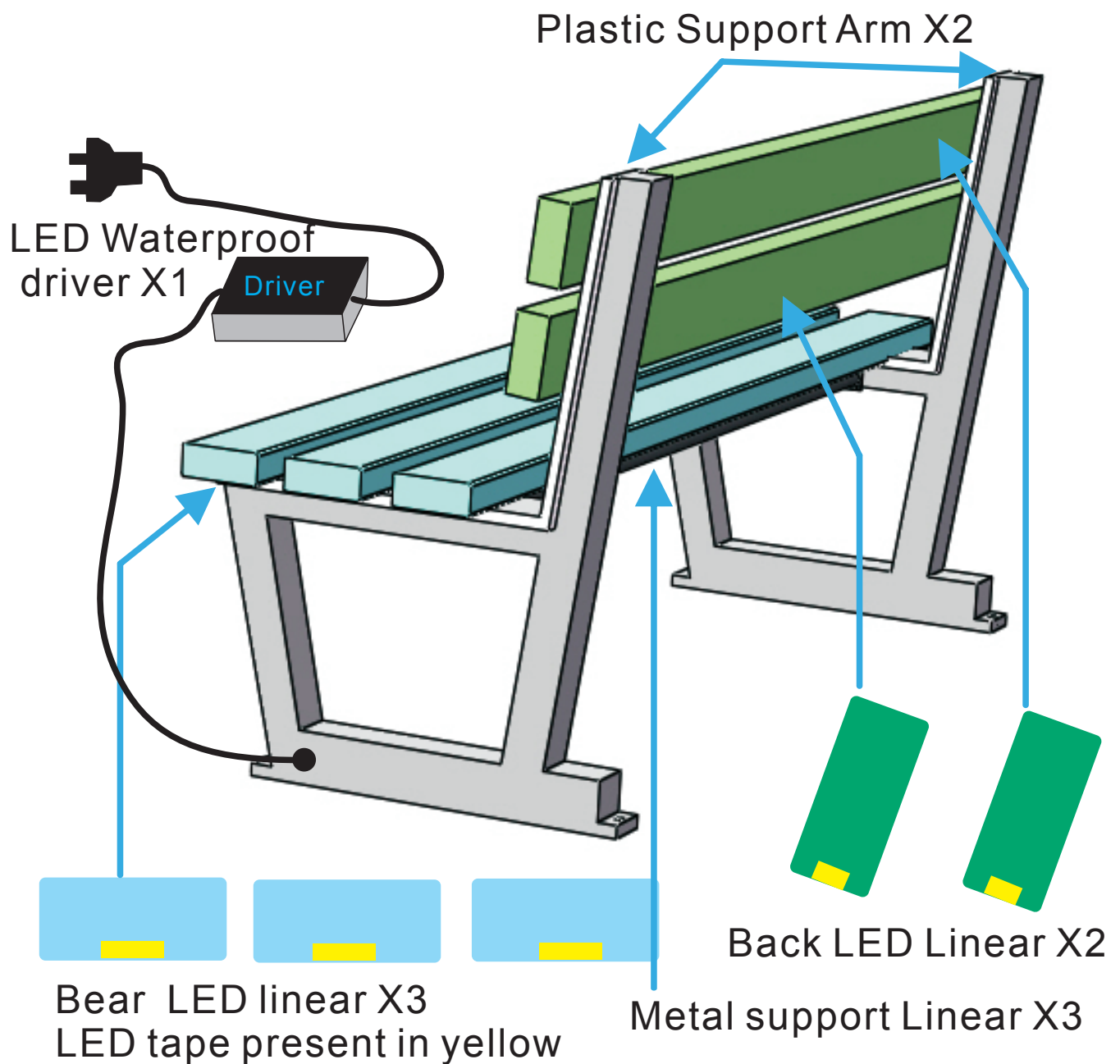


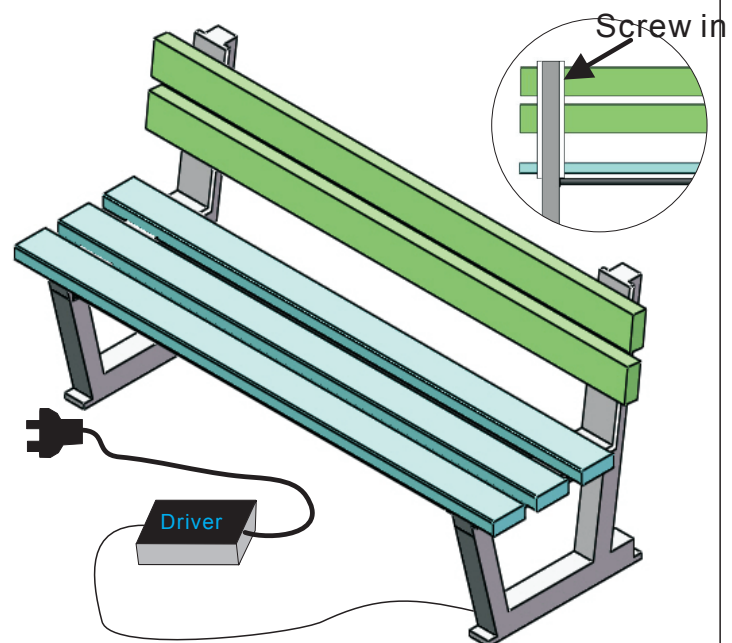
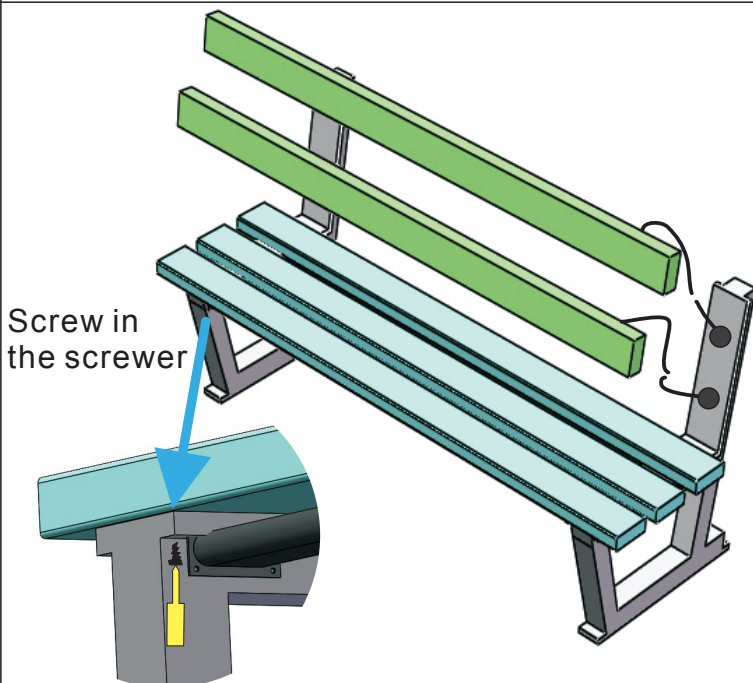
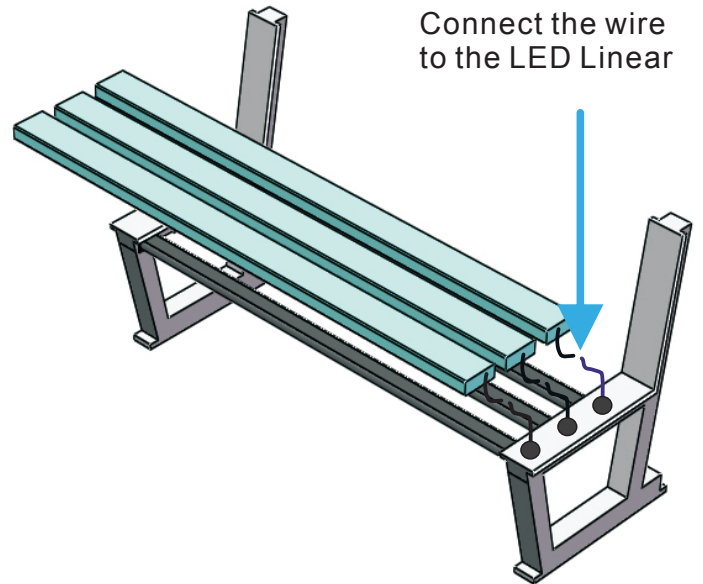
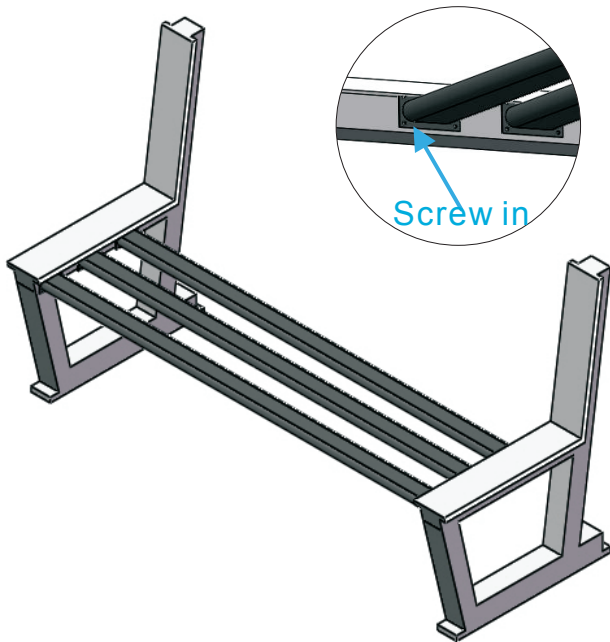
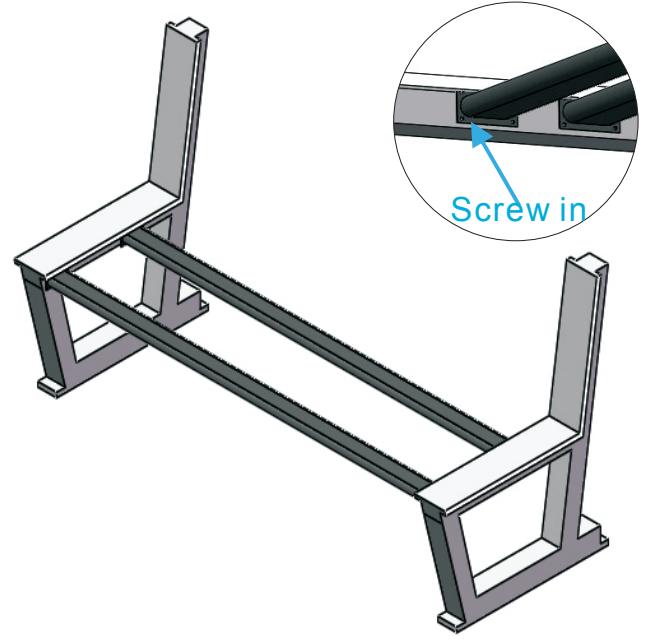
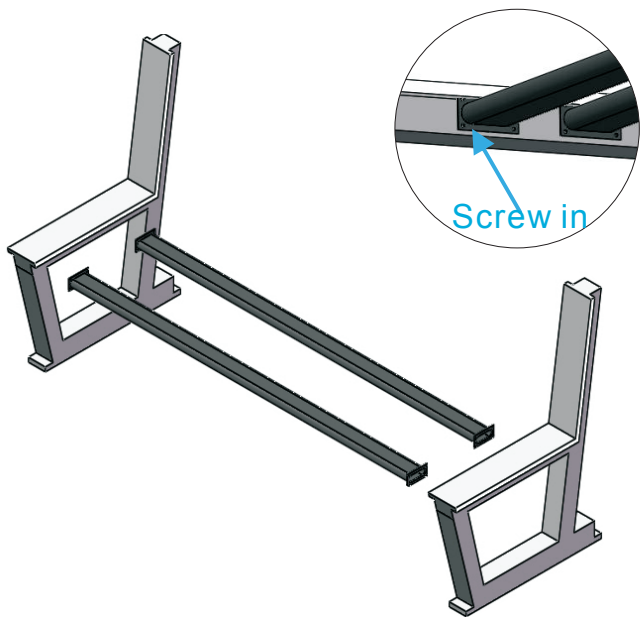
# Installation Instruction of Park Bench

## Packing List

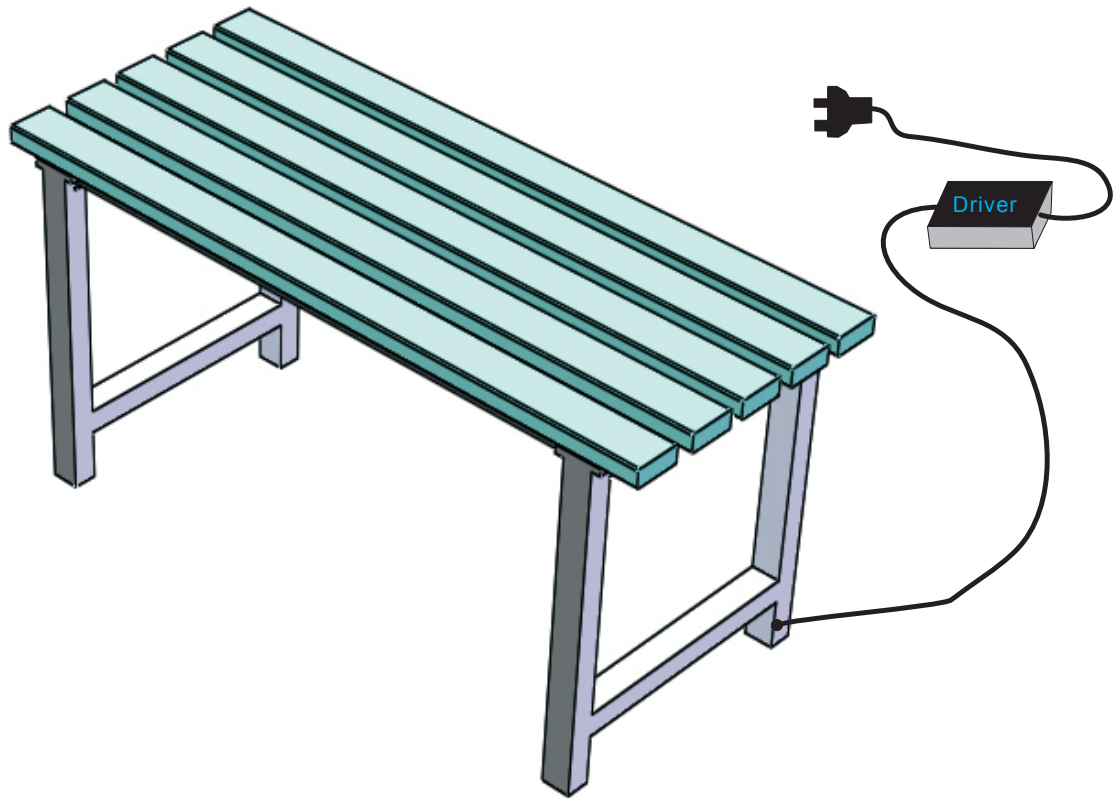


Remote controller X1  
Screws X50pcs

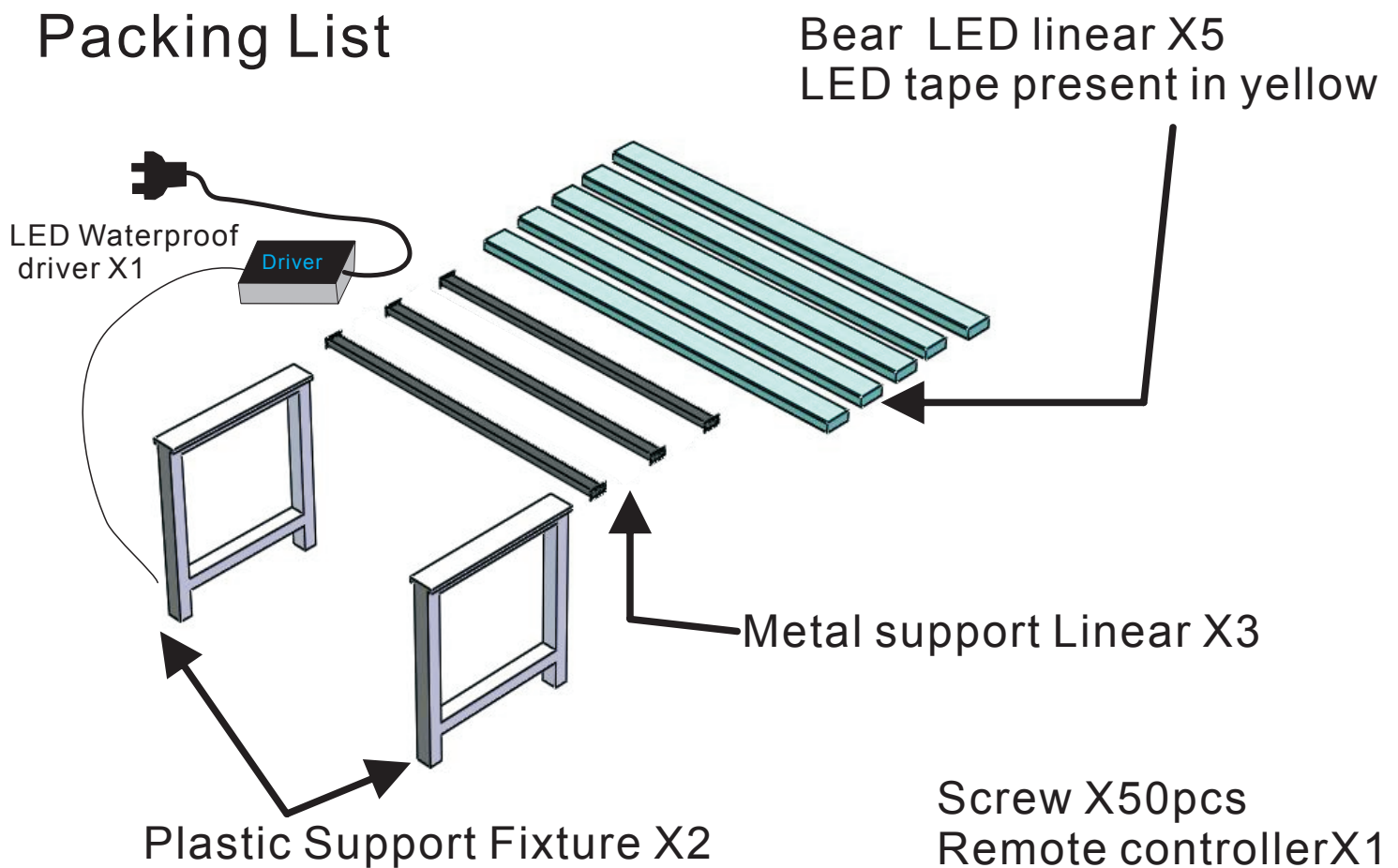
# Installation Instruction of Park Bench



# Installation Instruction of Park Table

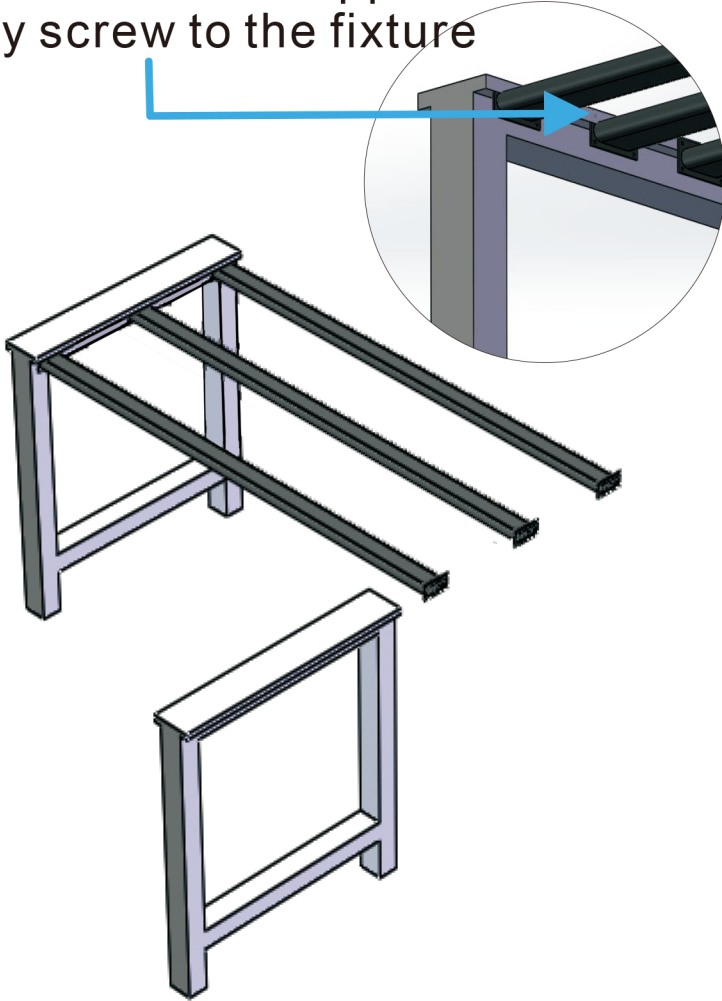


## Packing List

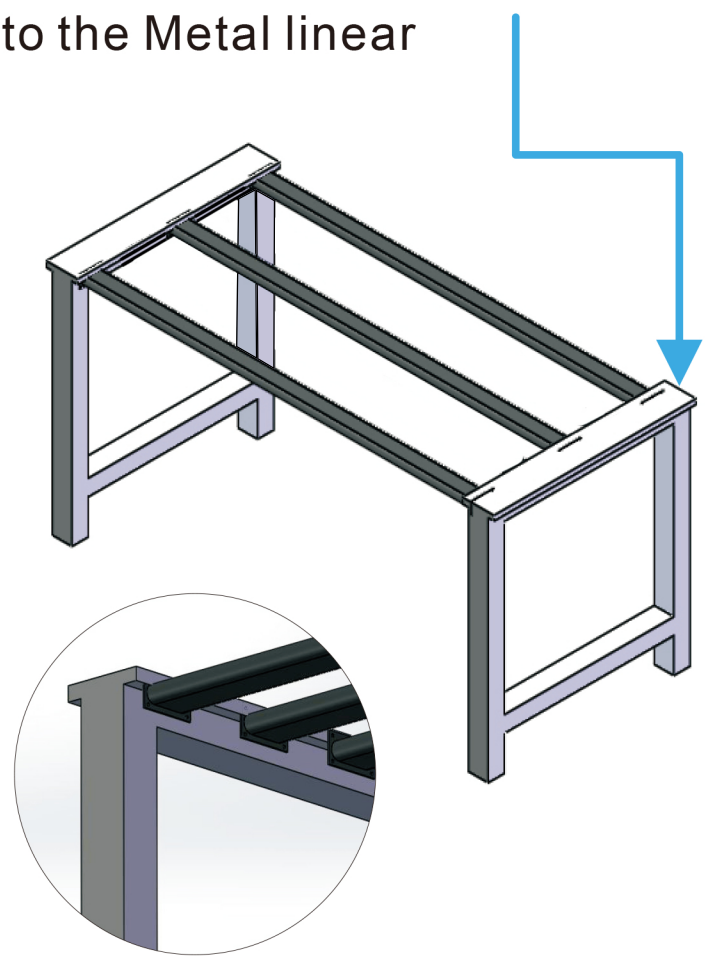


# Installation Instruction of Park Table

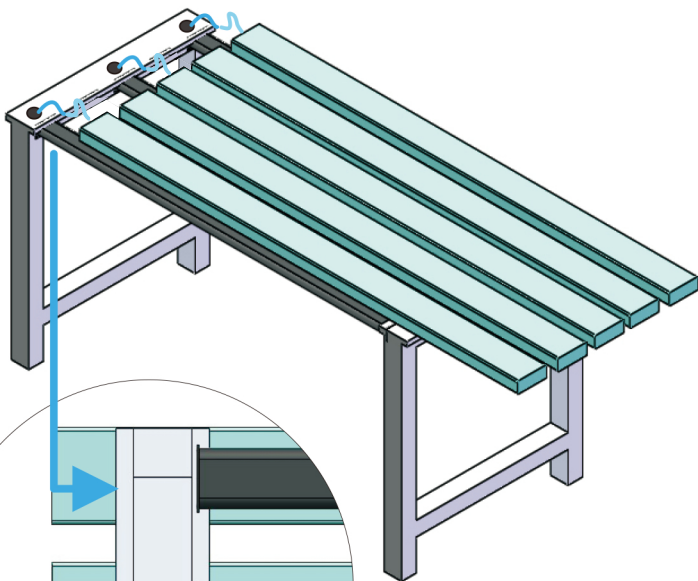
Fix the metal support linear by screw to the fixture



Fix the other side Fixture to the Metal linear



Connect Each linear to the build in wire



Screw the linear to Base Are

Connect to the wire and Finish Assemble

