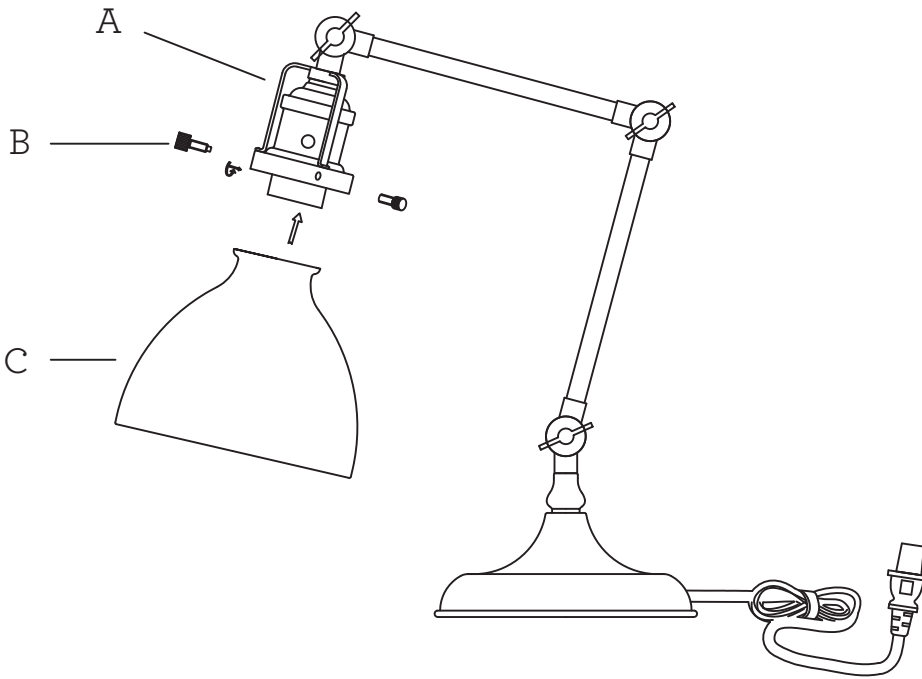


ASSEMBLY INSTRUCTIONS

DESK LAMP

1.0



1. Remove all parts and lay on a flat surface.
2. Unscrew 3 screws (B) on socket cup.
3. Set the glass shade (C) onto socket cup (A), then screw the three screws (B) clockwise back into place to hold the shade in its place.

GENERAL PRODUCT INFORMATION:

This product is suitable for dry locations only.



IMPORTANT SAFETY INSTRUCTIONS:

This portable lamp has a polarized plug (one blade is wider than the other) as a feature to reduce the risk of electric shock. This plug will fit in a polarized outlet only one way. If the plug does not fit fully in the outlet, reverse the plug. If it still does not fit, contact a qualified electrician. Never use with an extension cord unless plug can be fully inserted. **DO NOT ALTER THE PLUG.**

BULB TYPE: (1) 40 watt incandescent or 13 watt CFL equivalent. (not included)