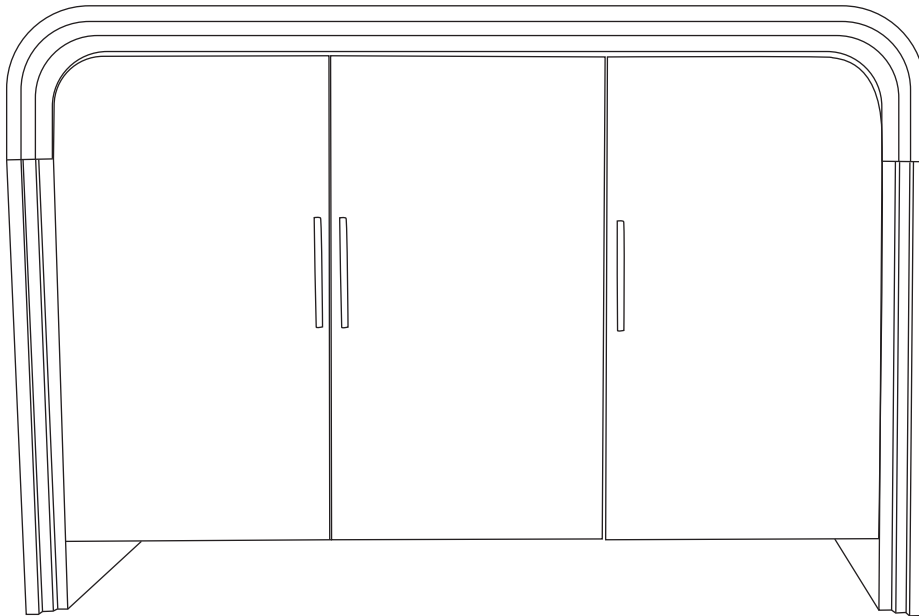


ASSEMBLY INSTRUCTION

SIDEBOARD



ASSEMBLY INSTRUCTION

Please read these instructions fully before starting assembly :

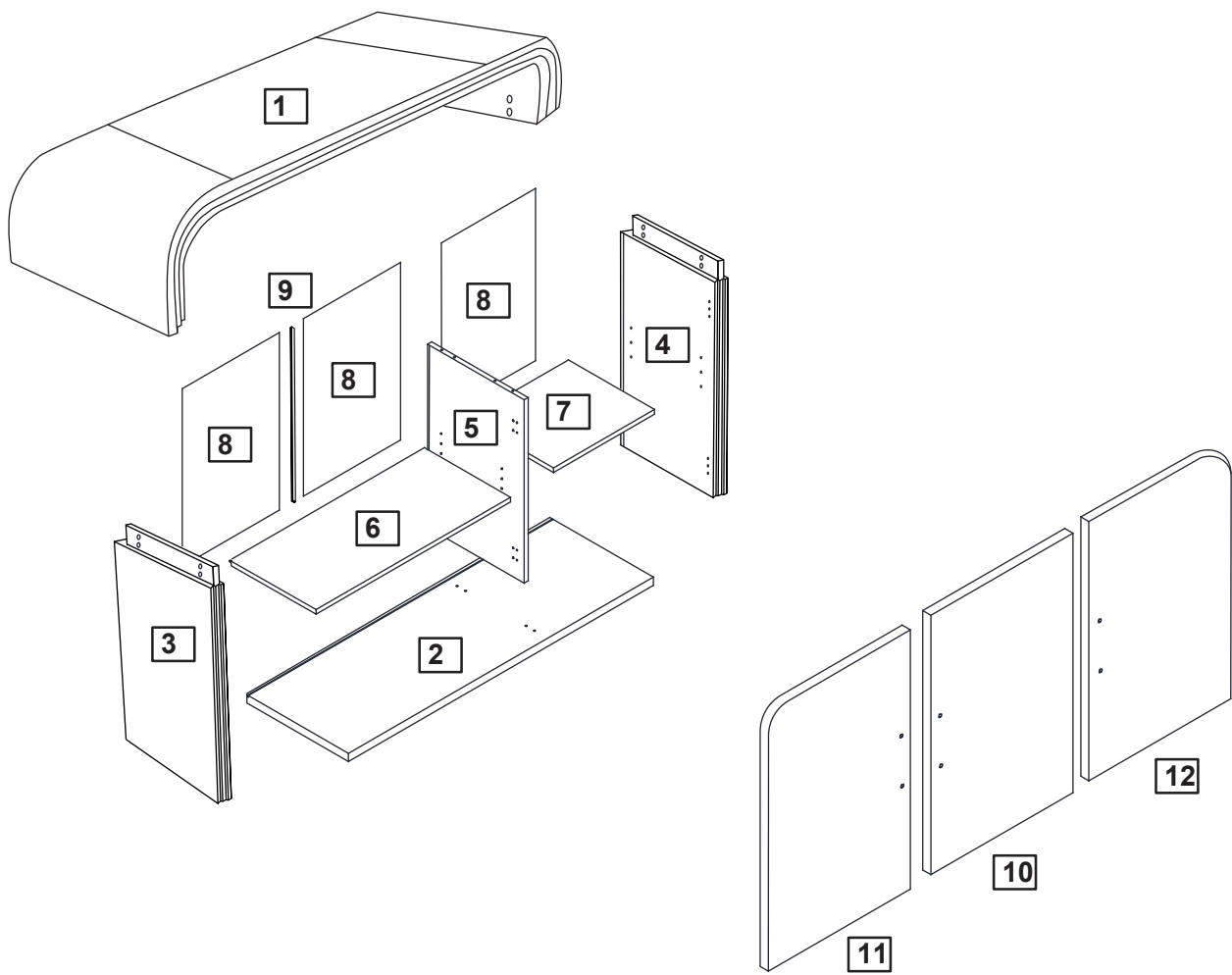
Tools required: Phillips screwdriver (medium & large)

1. Check you have all the components and tools listed on the following pages.
2. Remove all fittings from the plastic bags and separate them into their groups.
3. Keep children and animals away from the work area, small parts could choke if swallowed.
4. Make sure you have enough space to layout the parts before starting.
5. During assembly do not stand or put weight on the product, this could cause damage.
6. Assemble the item as close to its final position (in the same room) as possible.
7. Assemble on a soft level surface to avoid damaging the unit or your floor.
8. Parts of the assembly will be easier with 2 people.
9. To reduce the likelihood of damaging your product please ensure that your power drill is set on a low torque setting.
10. Assemble all parts and bolts loosely during assembly, only once the product is complete should you fully tighten the bolts.
11. Regularly check and ensure That all bolts and fittings are tightend properly.
12. Please do not place items that exceed the load capacity.

Care and maintenance

Only clean using a damp cloth and mild detergent, do no use bleach or abrasive cleaners.

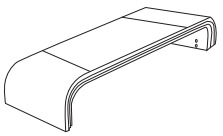
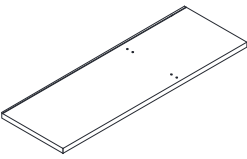
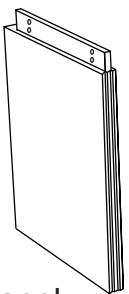
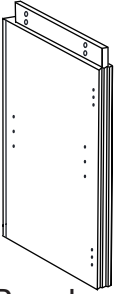
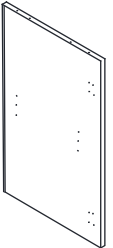
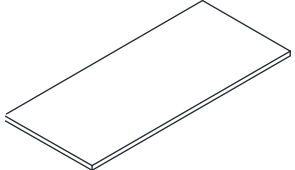
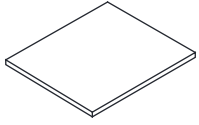
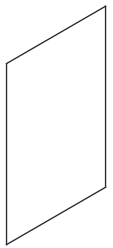


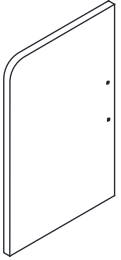
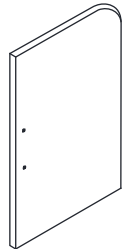
ASSEMBLY INSTRUCTION



Part List

Please check you have all the panels listed below

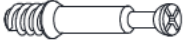


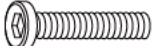

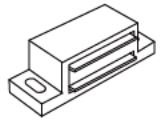



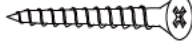
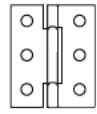
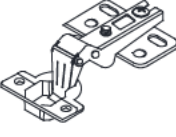



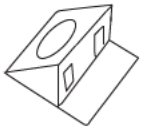
Note: The quantities below are the correct amount to complete the assembly. In some cases more fittings may be supplied than are required.

<p>①</p>  <p>Top Panel 1 PC</p>	<p>②</p>  <p>Bottom Panel 1 PC</p>	<p>③</p>  <p>Left Panel 1 PC</p>	<p>④</p>  <p>Right Panel 1 PC</p>
<p>⑤</p>  <p>Medial panel 1 PC</p>	<p>⑥</p>  <p>Center Shelf 1 PC</p>	<p>⑦</p>  <p>Center Shelf 1 PC</p>	<p>⑧</p>  <p>Rear panel 3 PC</p>
<p>⑨</p>  <p>Rear panel 2 PCS</p>	<p>⑩</p>  <p>Medial Door 1 PC</p>	<p>⑪</p>  <p>Left Door 1 PC</p>	<p>⑫</p>  <p>Right Door 1 PC</p>

Hardware list

Please check you have all the panels listed below

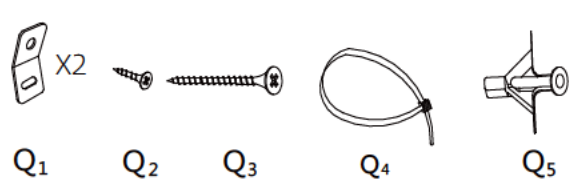
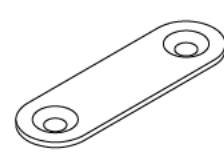




Note: The quantities below are the correct amount to complete the assembly. In some cases more fittings may be supplied than are required.

<p>A</p>  <p>Male Camlock x 2</p>	<p>B</p>  <p>Female Camlock x 2</p>	<p>C</p>  <p>Dowel x 4</p>	<p>D</p>  <p>8*45mm Screw x 8</p>
<p>E</p>  <p>E x 1</p>	<p>F</p>  <p>Magnetic collision x 3</p>	<p>G</p>  <p>3*14mm Screw x 38</p>	<p>H</p>  <p>H x 1</p>
<p>I</p>  <p>Shelf Support Pin x 8</p>	<p>J</p>  <p>5*50mm Screw x 2</p>	<p>K</p>  <p>HINGE x 4</p>	<p>L</p>  <p>Door Hinge x 2</p>
<p>M</p>  <p>4*16mm Screw x 12</p>	<p>N</p>  <p>HANDLE x 3</p>	<p>O</p>  <p>4*25mm Screw x 6</p>	<p>P</p>  <p>Plasticwedge x 8</p>

Hardware list

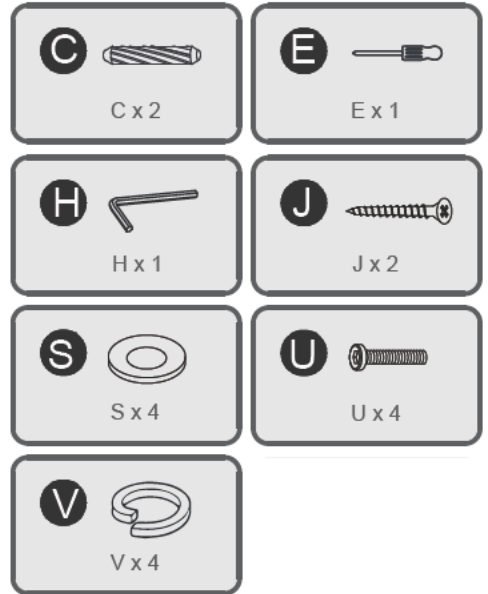
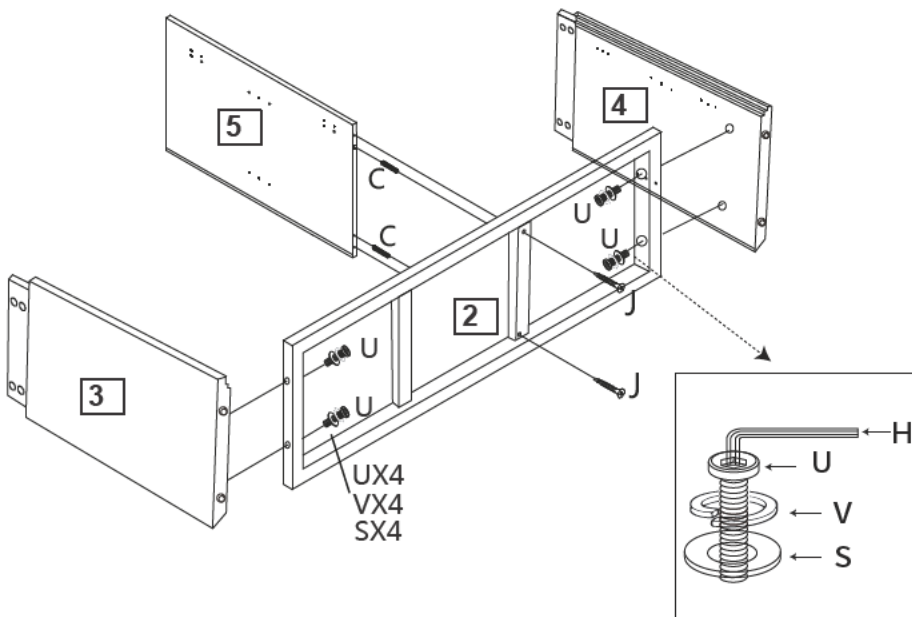
Please check you have all the panels listed below

Note: The quantities below are the correct amount to complete the assembly. In some cases more fittings may be supplied than are required.

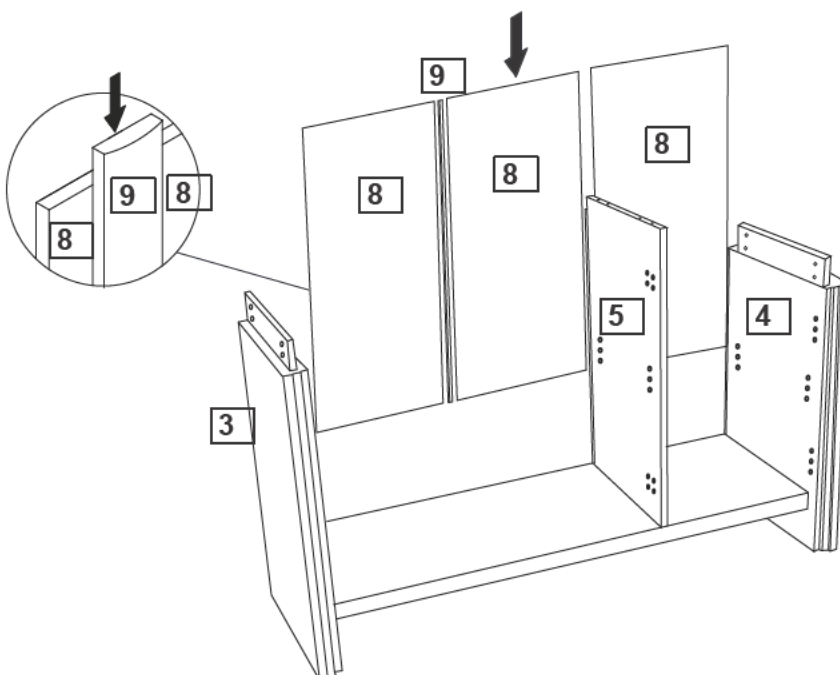
<p>Q</p>  <p>Q₁ Q₂ Q₃ Q₄ Q₅</p> <p>Wall Fixing Pack x 1</p>	<p>R</p>  <p>R x 3</p>	<p>S</p>  <p>S x 12</p>
<p>T</p>  <p>3*12mm Screw x 6</p>	<p>U</p>  <p>8*35mm Screw x 4</p>	<p>V</p>  <p>V x 12</p>

ASSEMBLY INSTRUCTION

Step 1

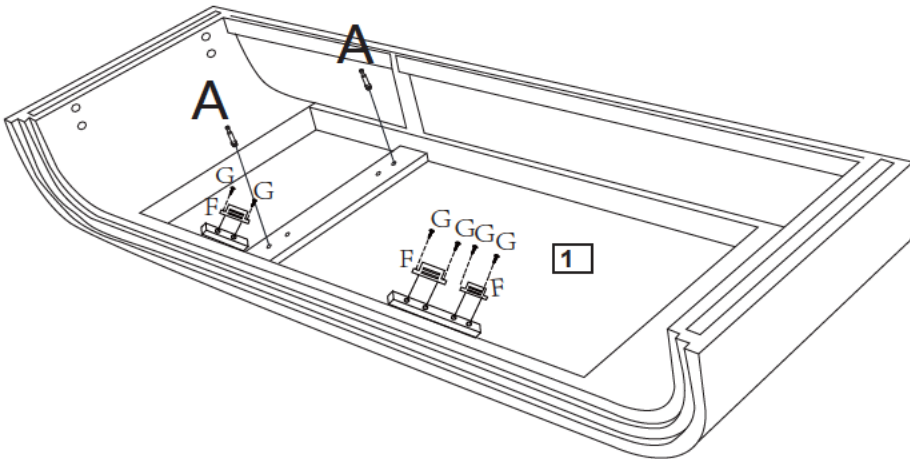


Step 2



ASSEMBLY INSTRUCTION

Step 3



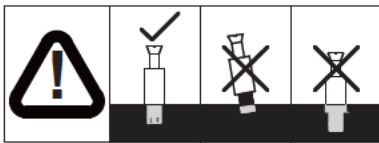
A x 2



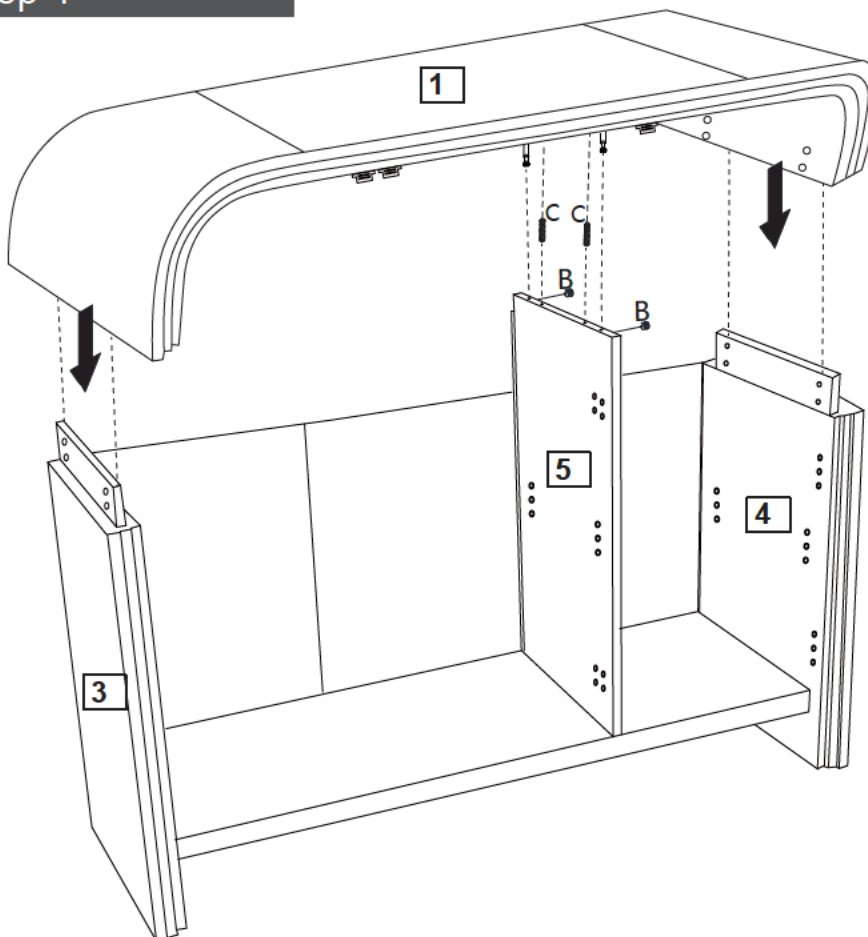
F x 3



G x 6



Step 4



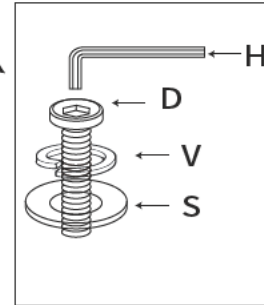
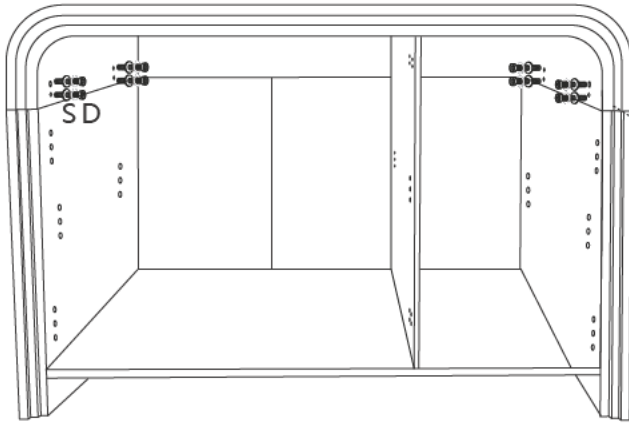
B x 2



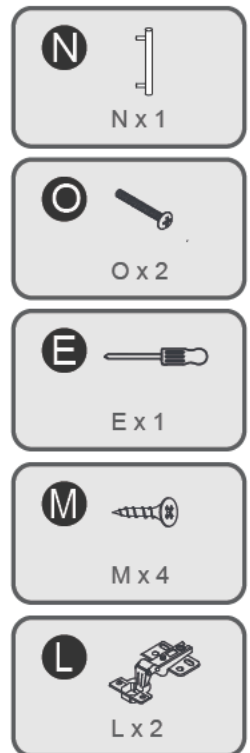
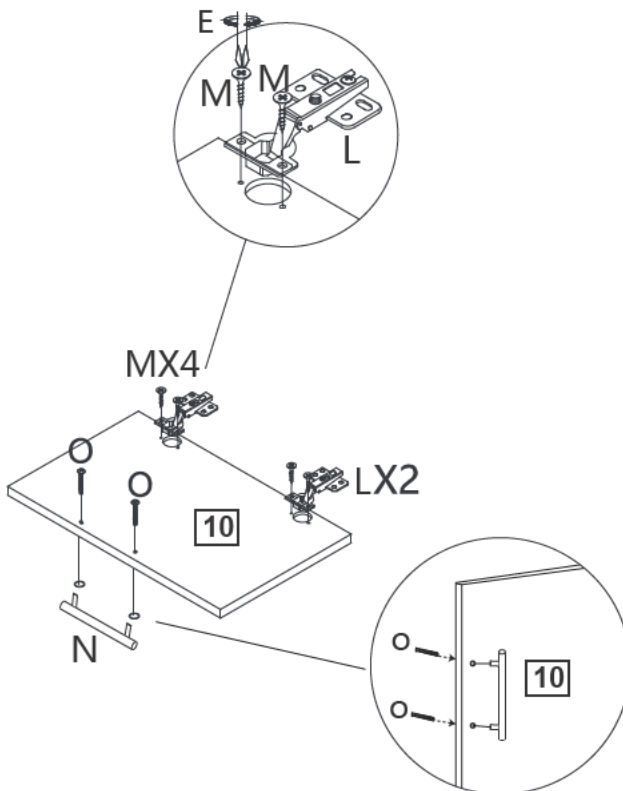
C x 2

ASSEMBLY INSTRUCTION

Step 5

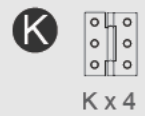
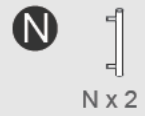
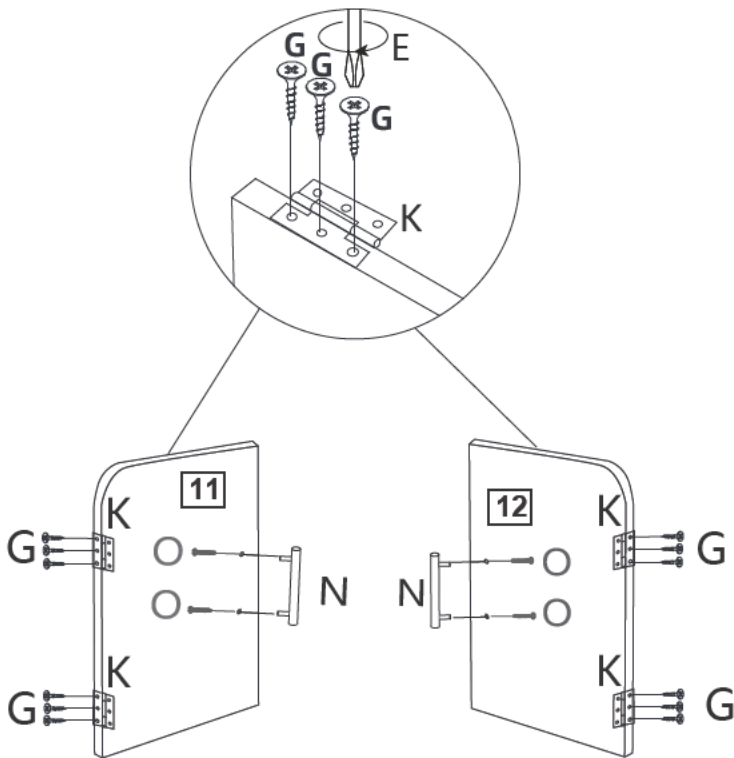


Step 6

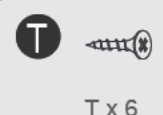
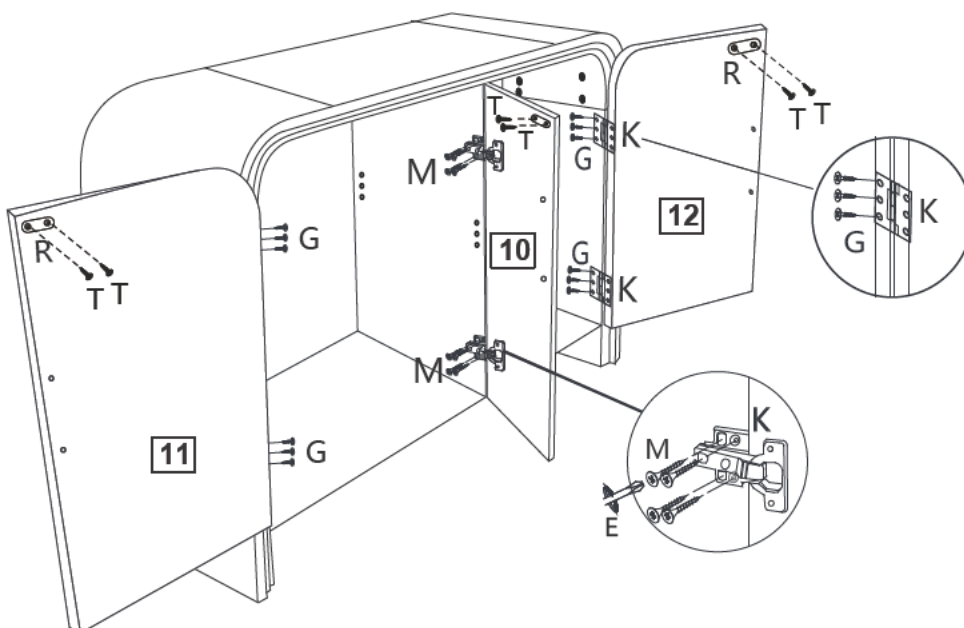


ASSEMBLY INSTRUCTION

Step 7

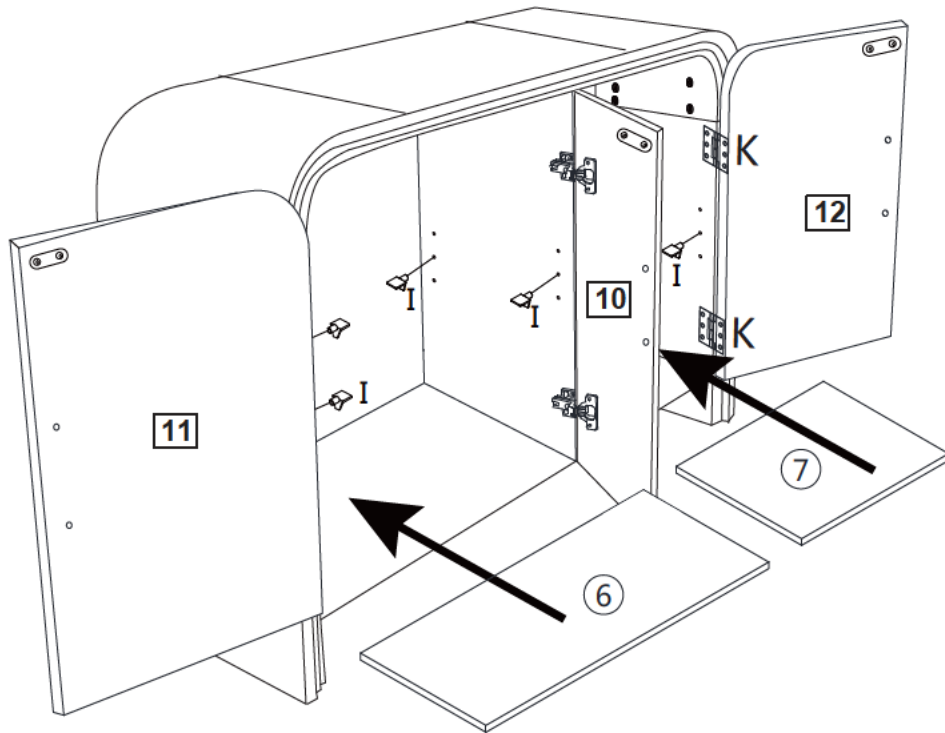


Step 8

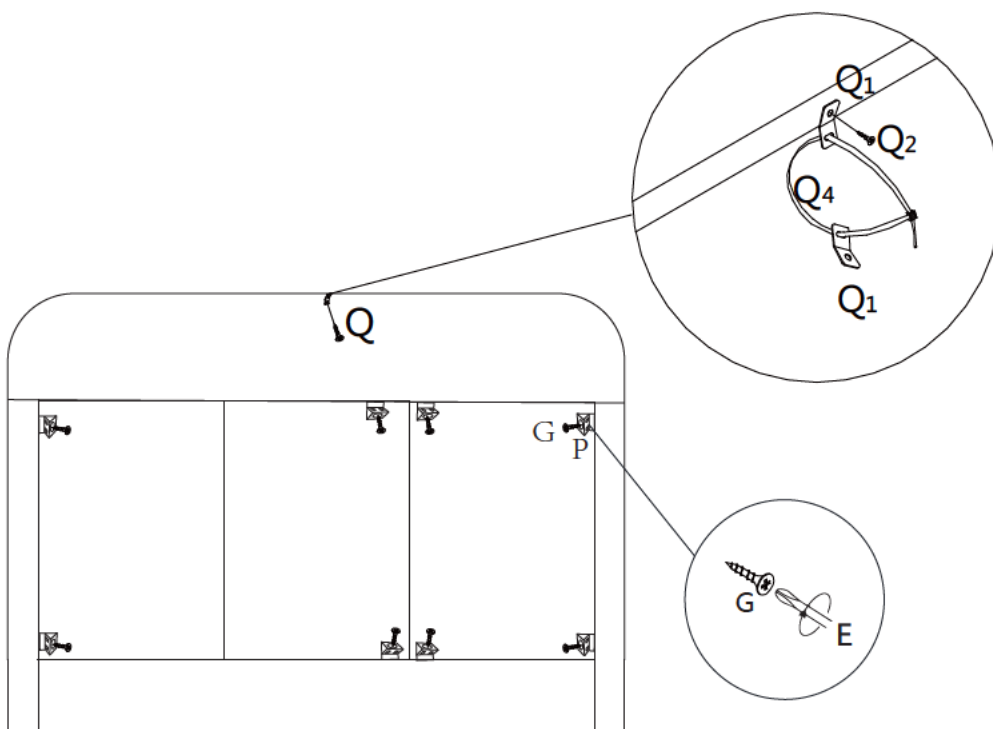
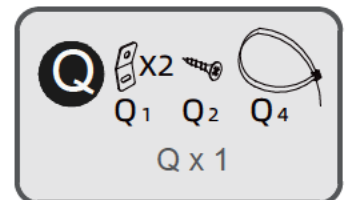


ASSEMBLY INSTRUCTION

Step 9

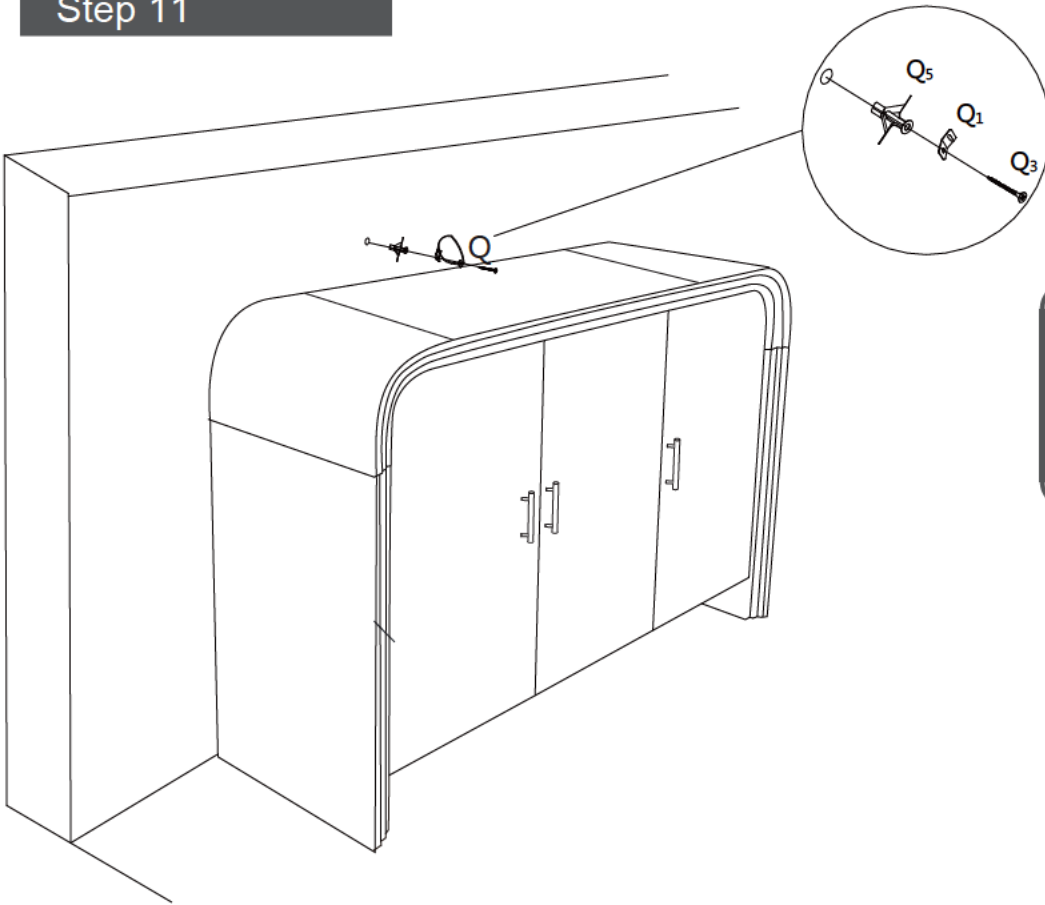


Step 10



ASSEMBLY INSTRUCTION

Step 11

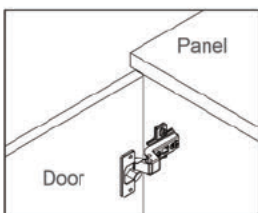


Assembly Steps(EN) / Montageschritte(DE)

HOW TO ADJUST THE HINGES TO ALIGN THE DOORS IF NEEDED.

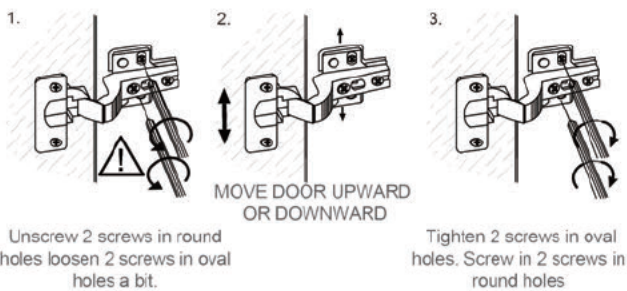
STEP 1

Open the door.



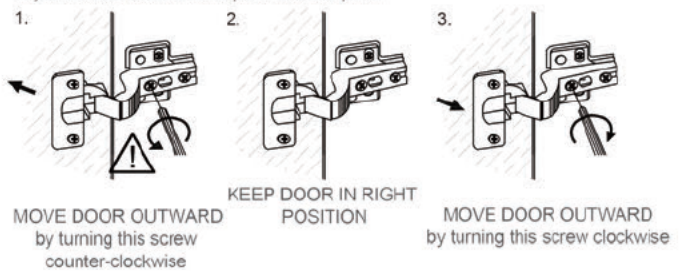
STEP 2

Adjust the door panel upward or downward



STEP 3

Adjust the flush between door panel and side panel



STEP 4

Adjust the Gap between door panel and side panel

