

ASSEMBLY INSTRUCTIONS

TOOLS REQUIRED:

Allen Wrench (supplied, part # D)

BEFORE YOU START:

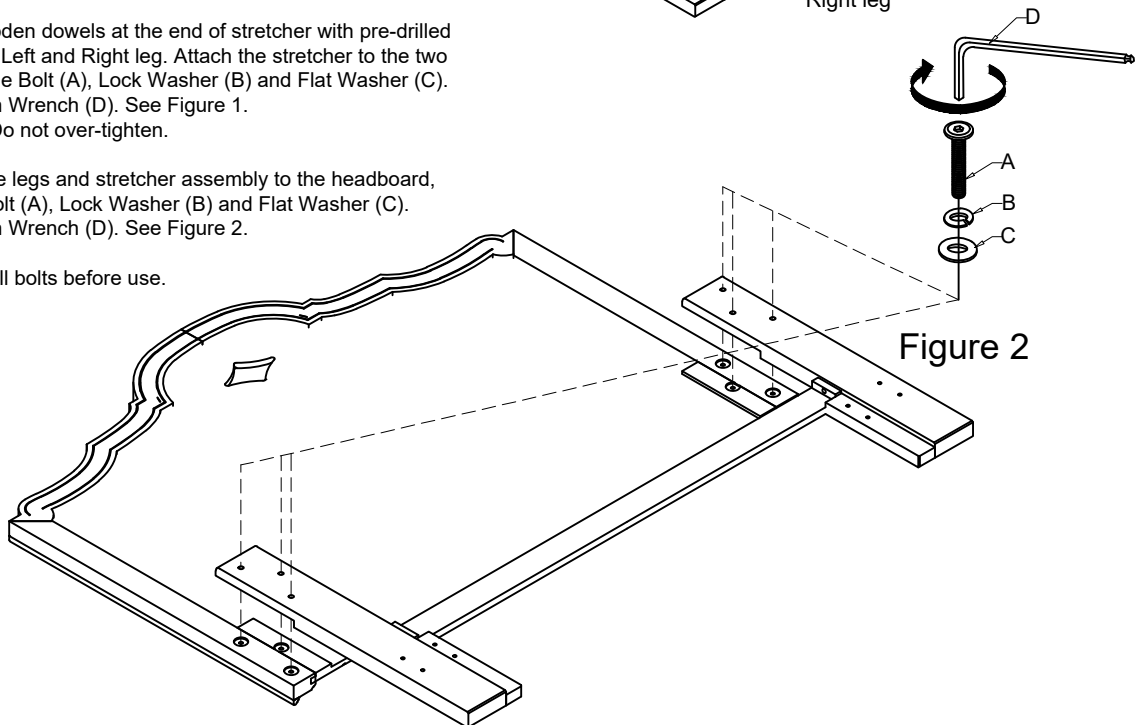
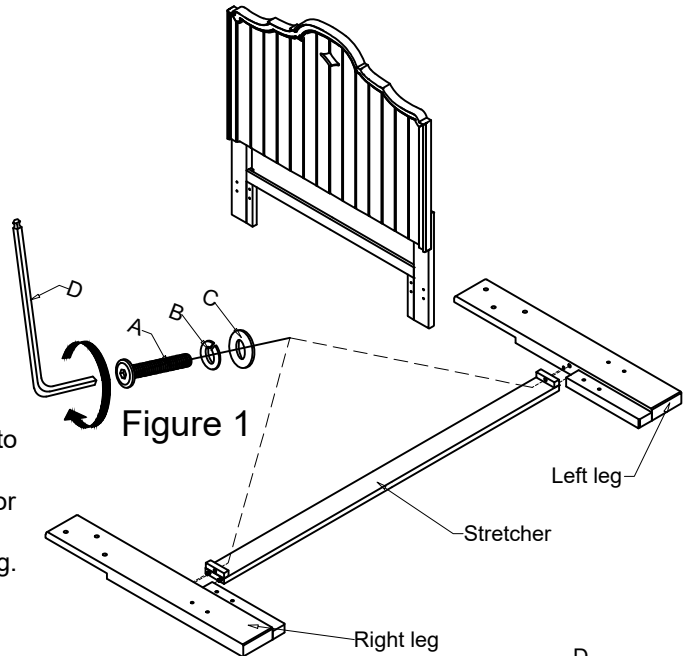
1. Check the parts against the parts list to make sure all items are present.
2. Assemble your furniture on a soft, flat surface to avoid scratching the finish.
3. **CAUTION:** Do not over tighten screws, nuts or bolts during assembly.
4. Your furniture may require occasional tightening.





INSTRUCTIONS:

1. Align wooden dowels at the end of stretcher with pre-drilled holes in the Left and Right leg. Attach the stretcher to the two leg, using the Bolt (A), Lock Washer (B) and Flat Washer (C). Tighten with Wrench (D). See Figure 1.
Important: Do not over-tighten.

2. Attach the legs and stretcher assembly to the headboard, using the Bolt (A), Lock Washer (B) and Flat Washer (C). Tighten with Wrench (D). See Figure 2.

3. Tighten all bolts before use.



No.	Hardware List	Q'ty
A	 Bolt Ø5/16"x1-3/4"	8
B	 Lock Washer Ø5/16"	8
C	 Flat Washer Ø5/16"	8
D	 Allen Wrench 5mm	1