

NOTICE

- * Please make sure that you have all parts indicated and they are in good condition before you begin assembly of this item. Refer to part list and hardware list below for guidance.
- * This item should be assembled on a soft surface to prevent scratching the finish during assembly.
- * This item may require periodic tightening.
- * If you are having difficulty, our friendly Customer Care team is always here to help.

PREPARATION

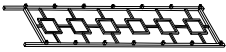
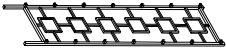









- * Before beginning assembly of product, make sure all parts are present. Compare parts with part contents list and hardware contents list.
- * If any part is missing or damaged, do not attempt to assemble the product.
- * Estimated Assembly Time: 30 minutes.
- * Tools Required for Assembly (included): Allen Key.

CARE AND MAINTENANCE

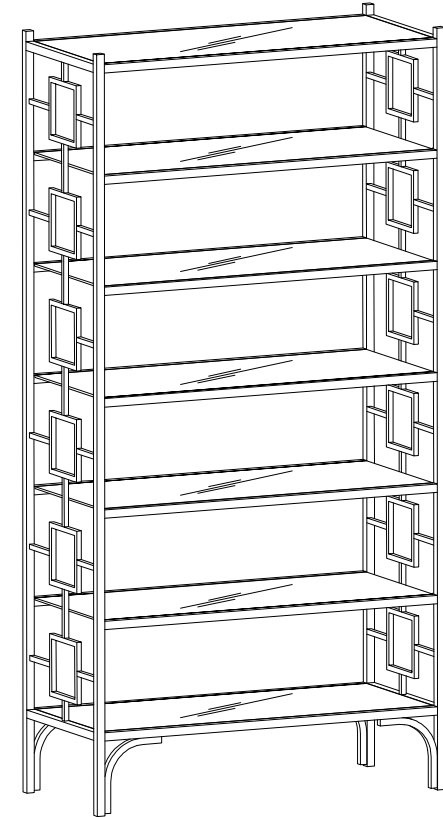
INDOOR METAL/ALUMINUM FURNITURE: Wipe spills immediately. Maintain with regular dusting and clean with mild soap and water, dry thoroughly and do not use a brass cleaner. Adhesive felt pads should always be used/applied in order to prevent damage to the furniture or surfaces on which the furniture is placed.

GLASS AND MIRROR CARE: Dust with a soft, dry cloth. Do not use abrasive cleaner. To clean mirror, spray a small amount of glass cleaner onto a lint-free cloth and wipe mirror clean.

Part List and Hardware List

| PIECE | DESCRIPTION | PICTURE | QTY |
|-------|----------------------------------|--|-----|
| A | Left Side Frame |  | 1x |
| B | Right Side Frame |  | 1x |
| C | Connecting Bar |  | 12x |
| D | Bottom Connecting Bar |  | 2x |
| E | Support Bar |  | 4x |
| F | Glass Shelf |  | 7x |
| HW1 | Hex Socket Bolt 1/4"-20 x 0.625" |  | 28x |
| HW2 | Hex Socket Bolt 1/4"-20 x 1.25" |  | 8x |
| HW3 | Suction Cup ϕ 19mm |  | 28x |
| HW4 | Allen Key M4 |  | 1x |
| HW5 | Anti-Tip Hardware |  | 2x |

Product Dimensions: 36"W x16"D x 72"H

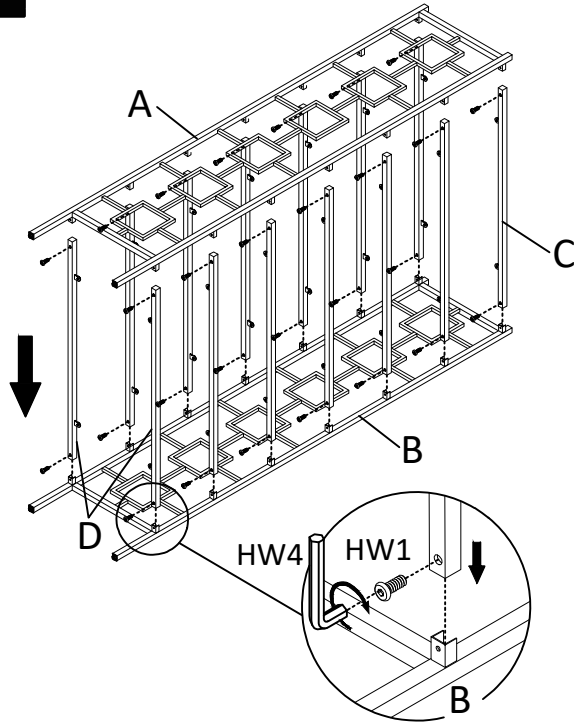


WARNING
Weight capacity : 30 lbs of each shelf
WARNING : DO NOT STAND ON THE PRODUCT
WARNING : DO NOT OVER TORQUE BOLTS

PREPARATION

- * Before beginning assembly of product, make sure all parts are present. Compare parts with part contents list and hardware contents list.
- * If any part is missing or damaged, do not attempt to assemble the product.
- * Estimated Assembly Time: 30 minutes.
- * Tools Required for Assembly (included): Allen Key.
- * If you are having difficulty, our friendly Customer Care team is always here to help.

1

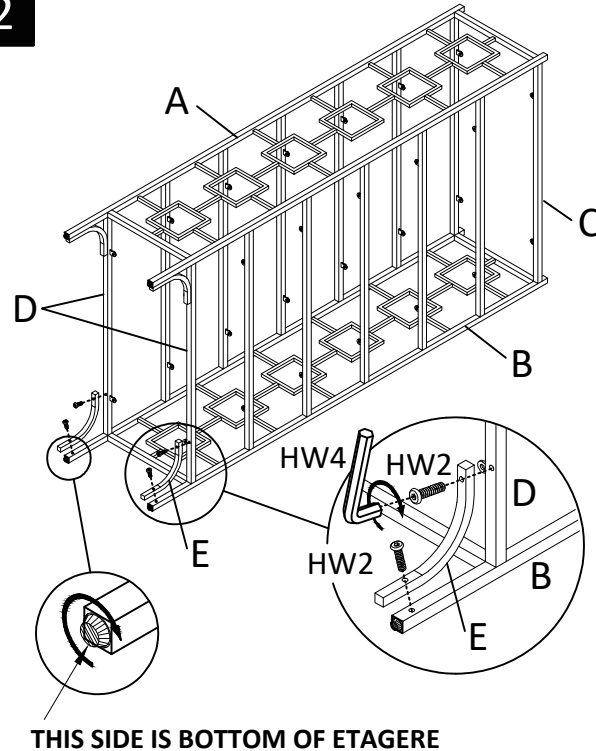


***Do not fully tighten the bolts until the product is assembled.**

Step 1

Place Left Side Frame (A) and Right Side Frame (B), then attach 14x Connecting Bar (C,D) on both side frames and aligning, Use Allen Key (HW4) to lock 28x Hex Socket Bolt (HW1) from the underneath of connecting bars (C,D), as picture.

2

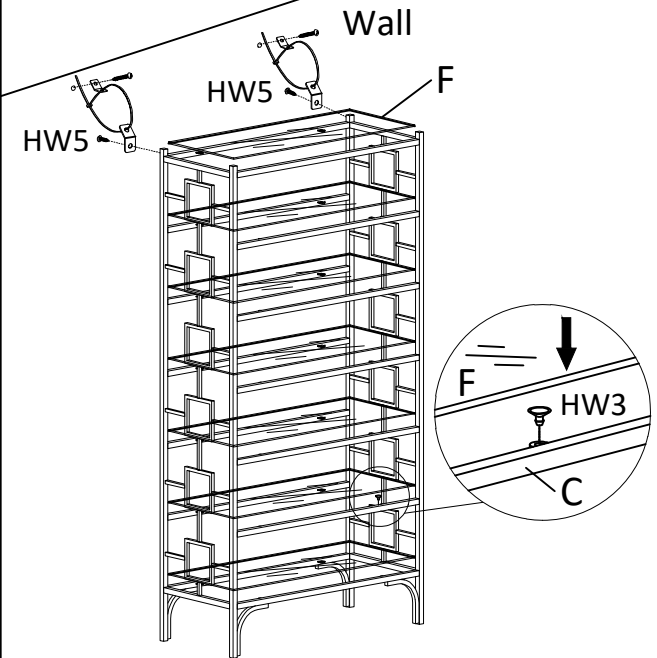


***Do not fully tighten the bolts until the product is assembled.**

Step 2

Attach 4x Support Bars (E) on the bottom side of assembled etagere and aligning, Use Allen Key (HW4) to lock 8x Hex Socket Bolt (HW2), as picture.

3



***After properly adjusting the levelers for stability, then fully tighten all bolts.**

Step 3

Straighten up the assembled etagere, place 28x Suction Cups (HW3) on 7 metal shelves frame in position, and place 7x Glass shelves (F) on 7 shelves separately. Following the Installation Instructions of anti-tipping to fix the rack with wall by 2 straps, Assembly is completed.