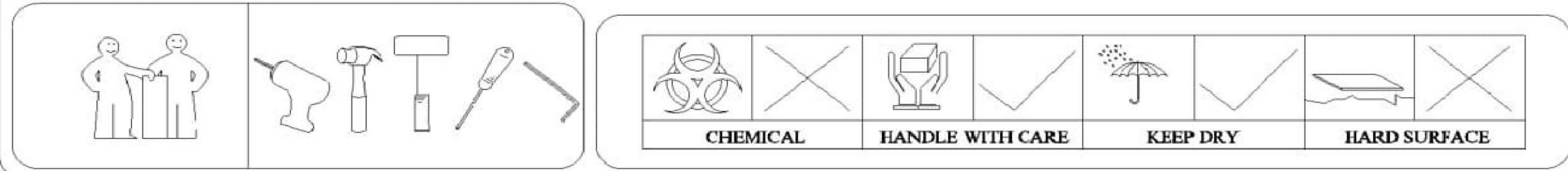
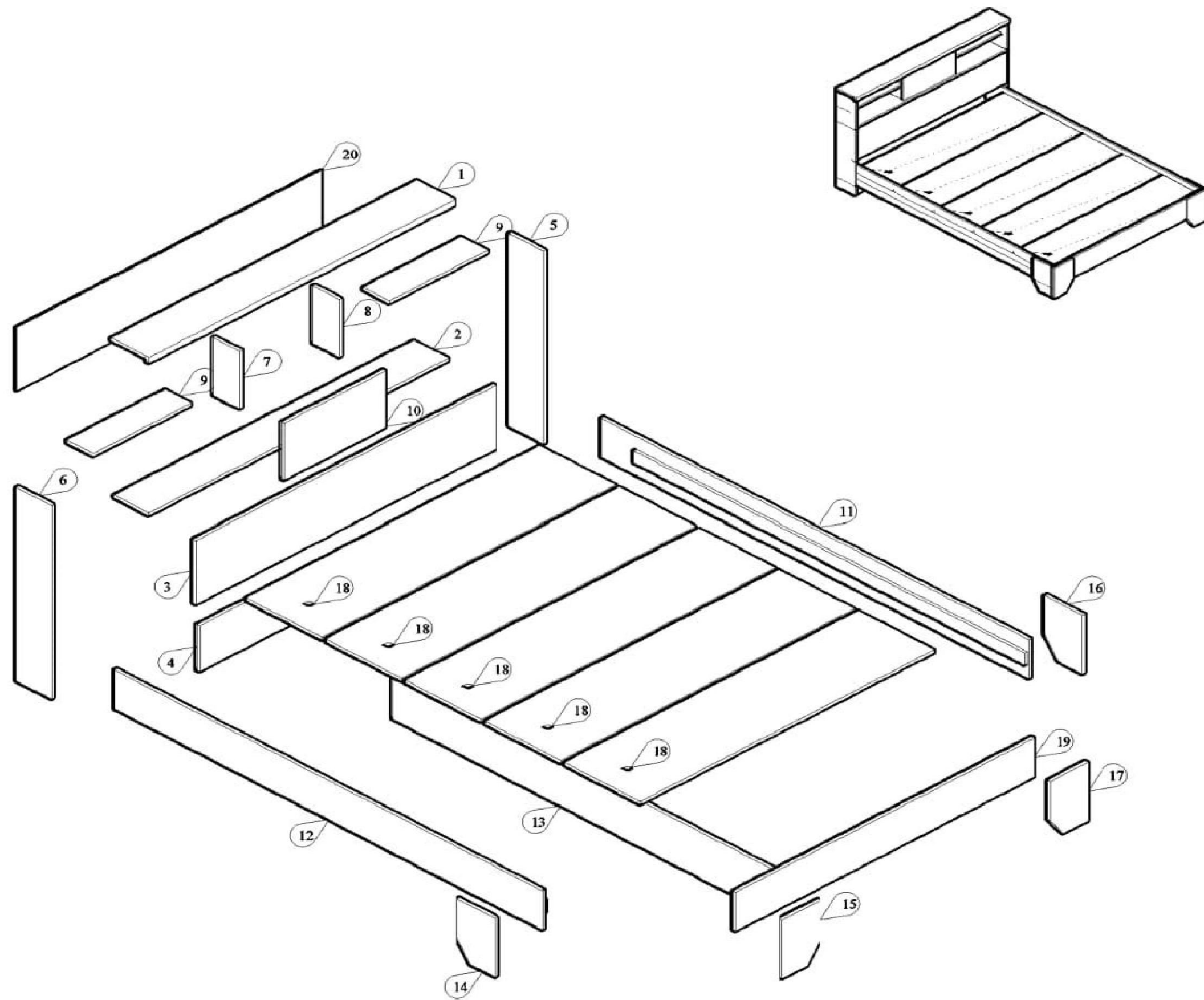
















PANEL POSITION

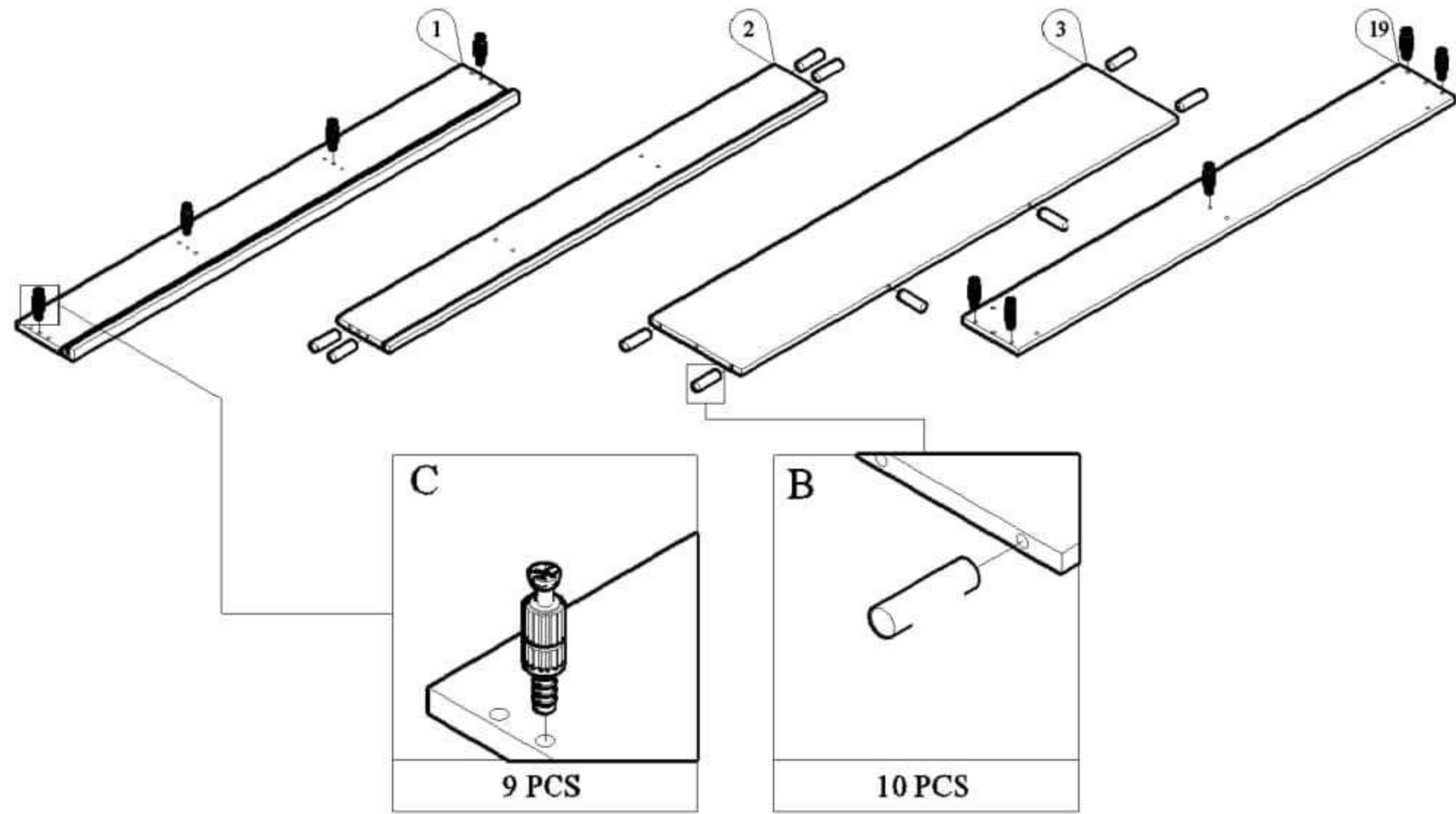


	ACCESSORIES	QUANTITY
A	 SCREW M7x50MM	14 PCS
B	 WOOD DOWEL M8x30MM	23 PCS
C	 MINIFIX M5x24MM	11 PCS
D	 MINIFIX CASING	11 PCS
E	 IRON SHELF SUPPORT	8 PCS
F	 WHITE LEG PIN	17 PCS
G	 "L" BRACKET SCREW M3.5x16MM	2 PCS 8 PCS
H	 POWER PIN	20 PCS
I	 ALUMINIUM "M" SHAPE RAIL	1 PC
J	 SLIDING ROLLER SCREW M3x12MM	2 SETS 16 PCS
K	 SCREW M6x25MM	8 PCS
L	 SCREW M4x38MM	10 PCS
M	 SCREW M4x28MM	6 PCS
N	 ALLEN KEY	1 PC

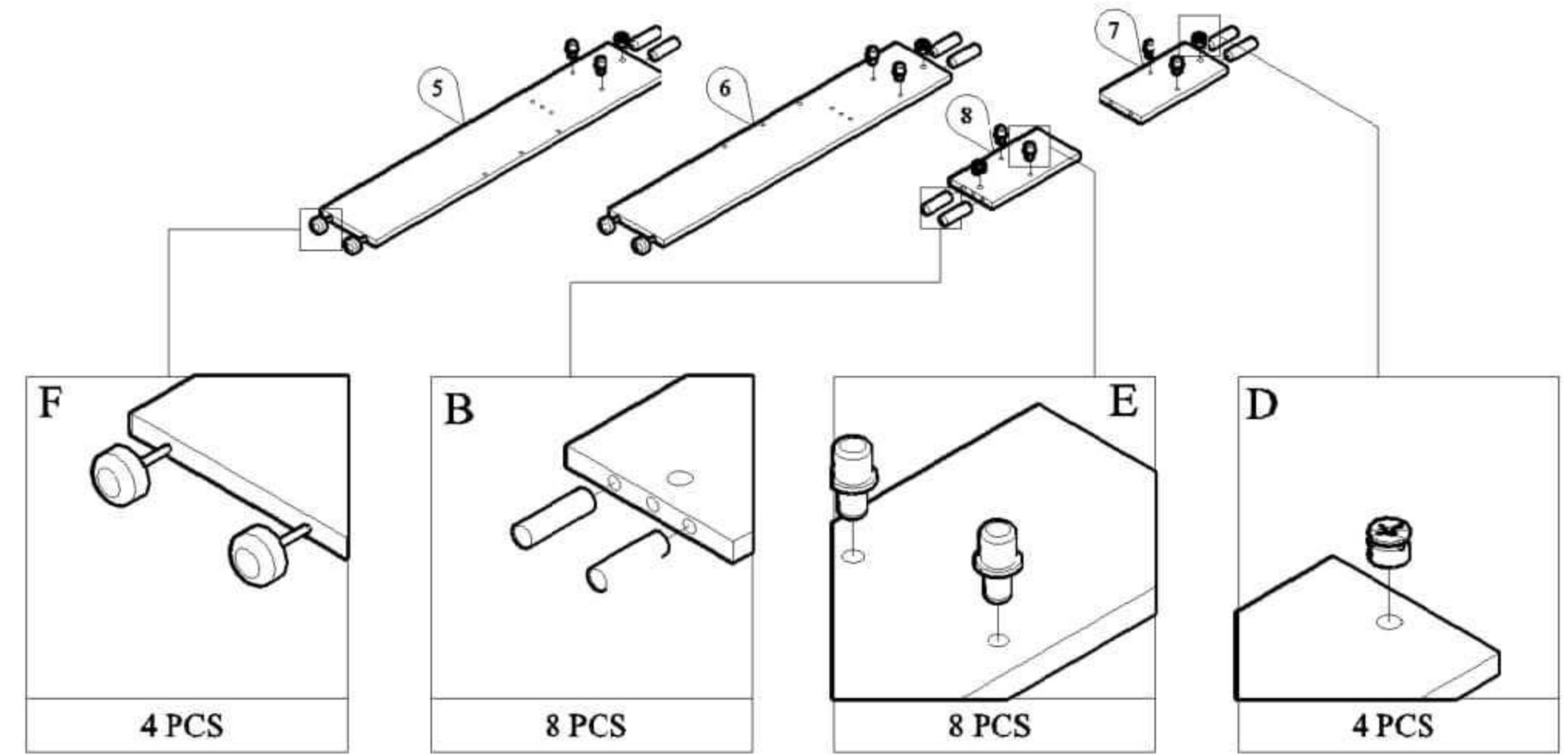


START ASSEMBLY

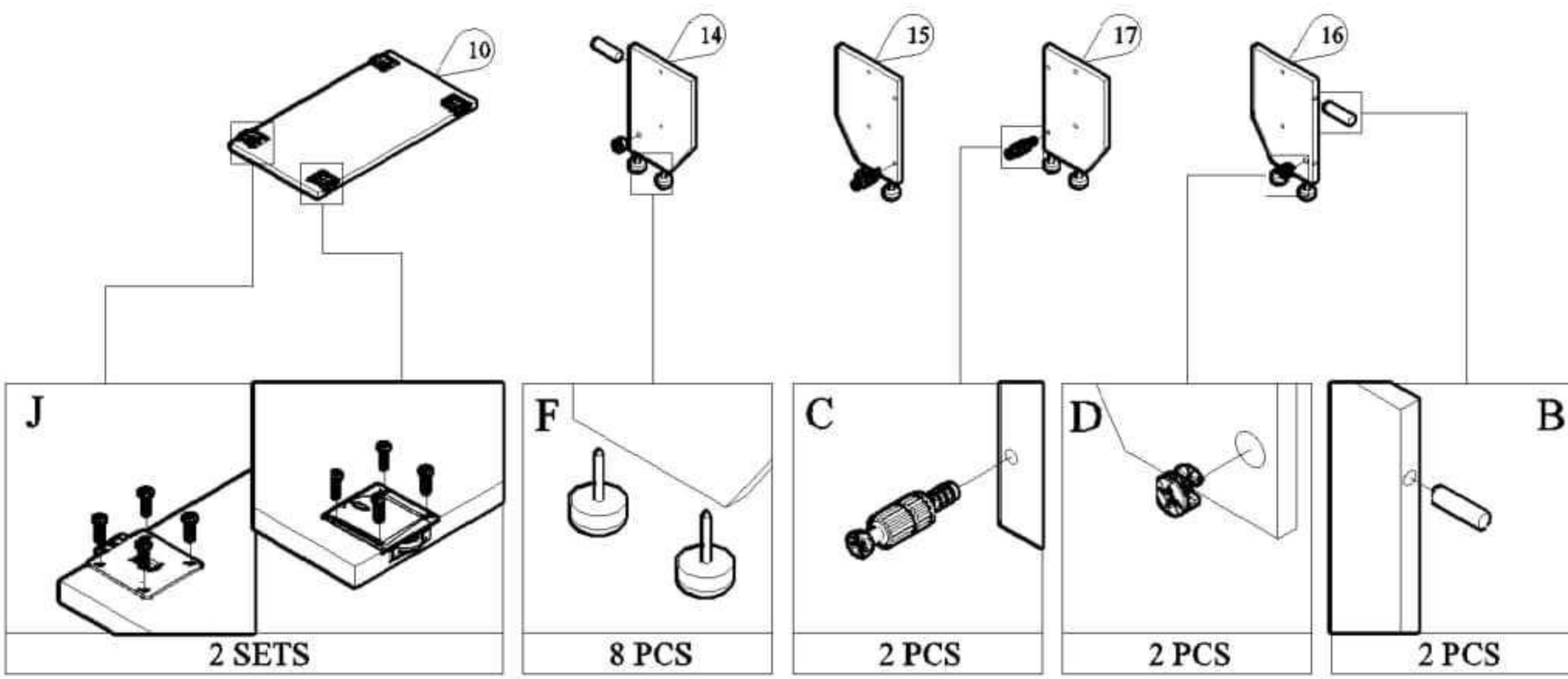
STEP 1



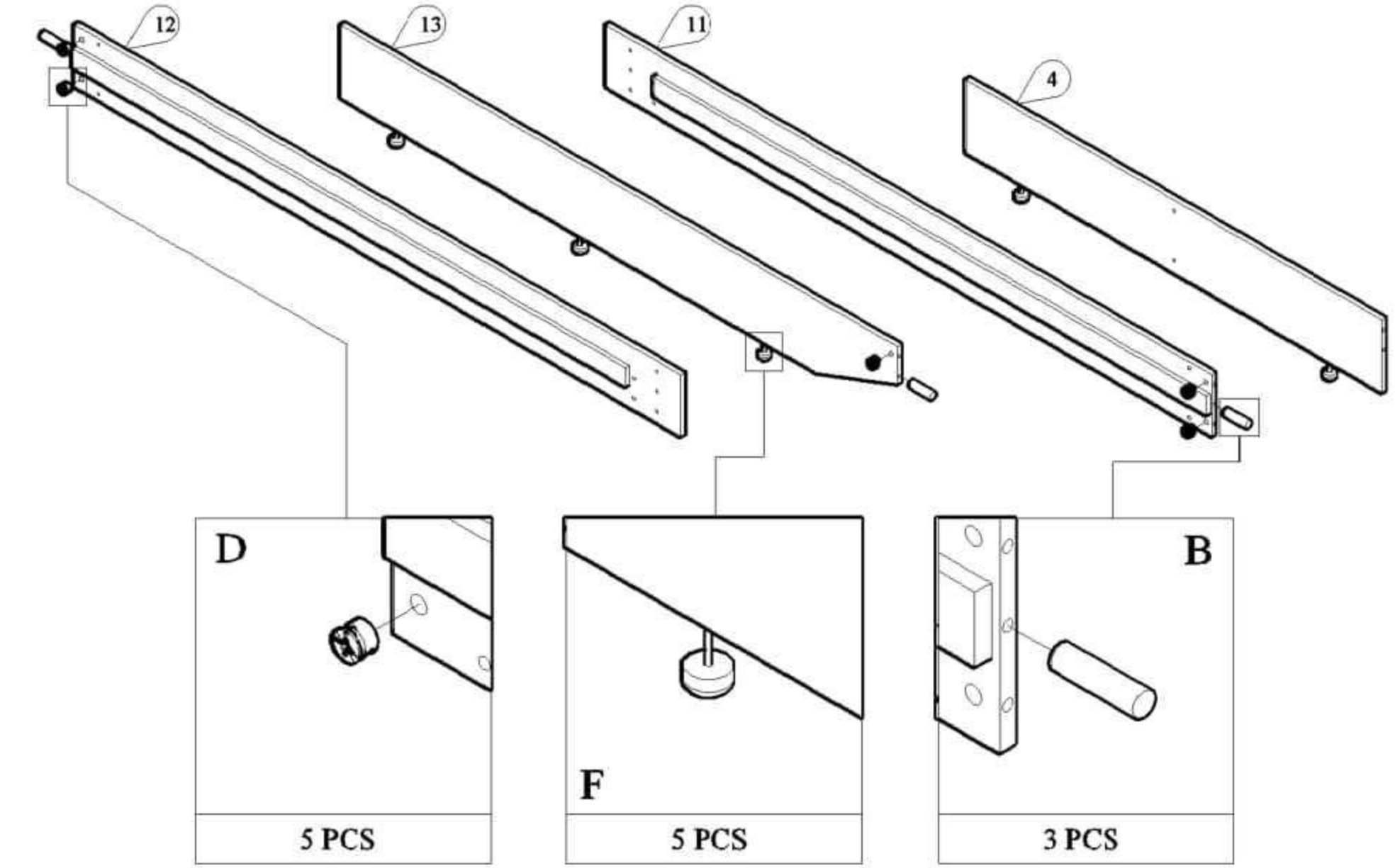
STEP 2



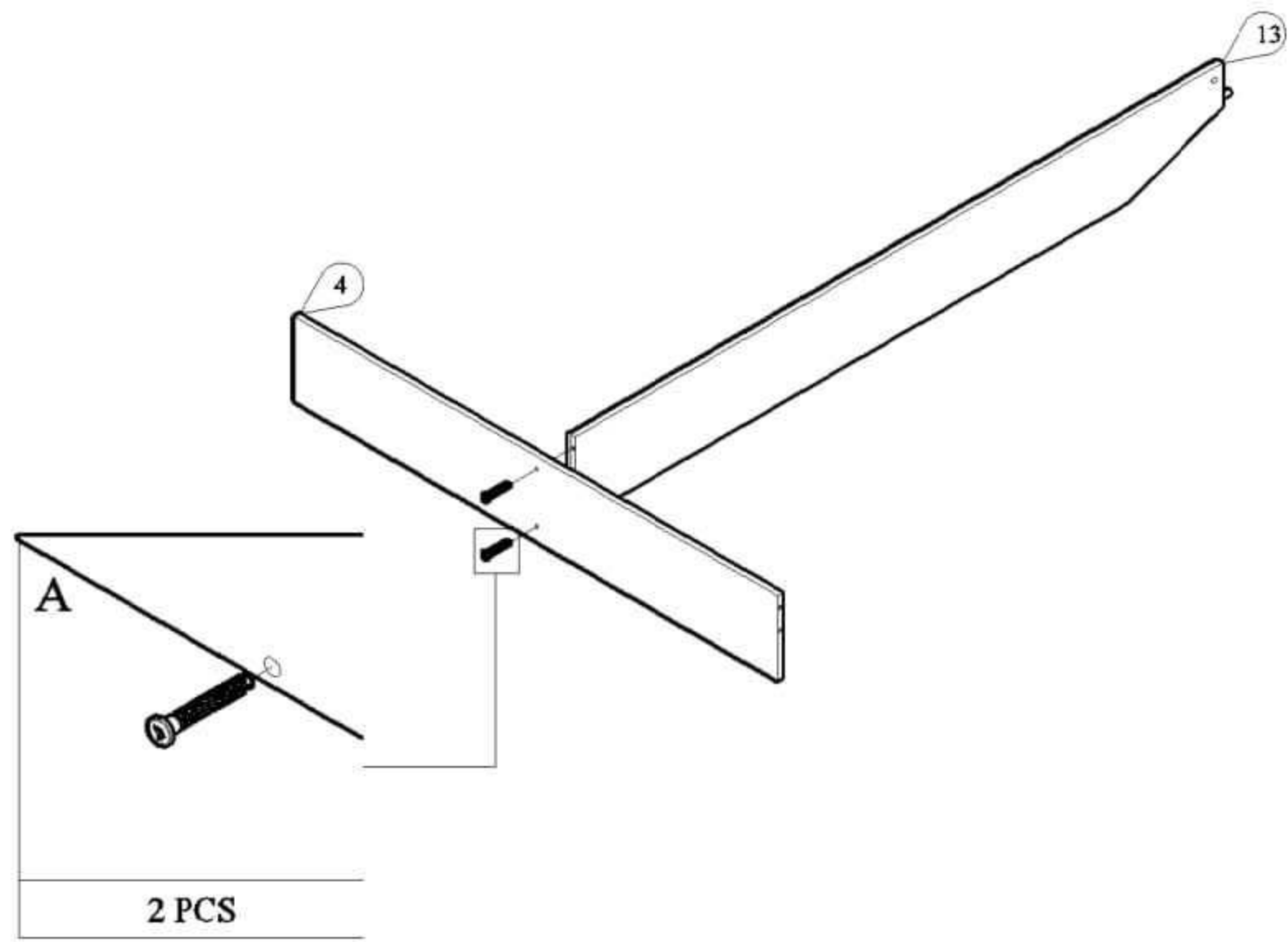
STEP 3



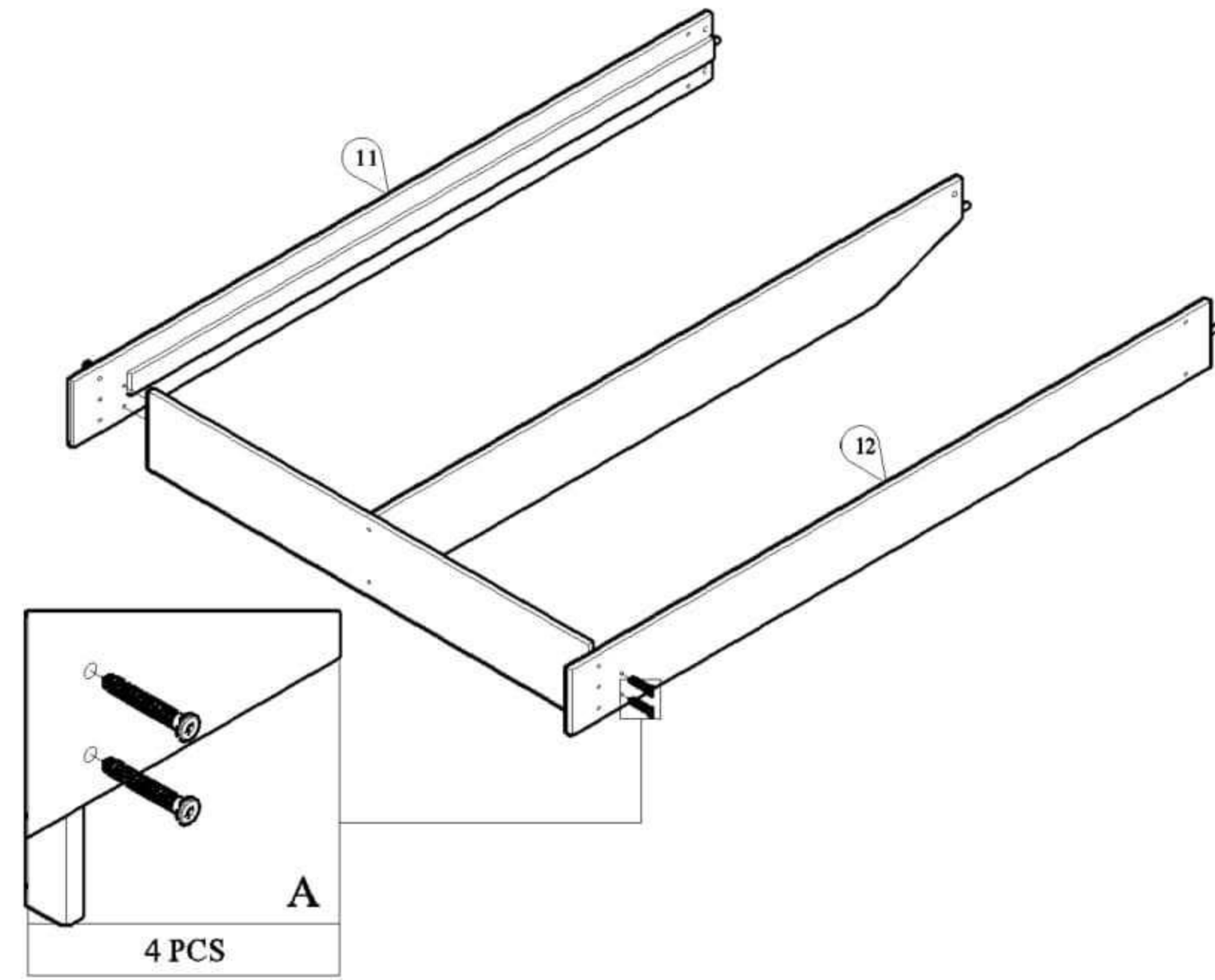
STEP 4



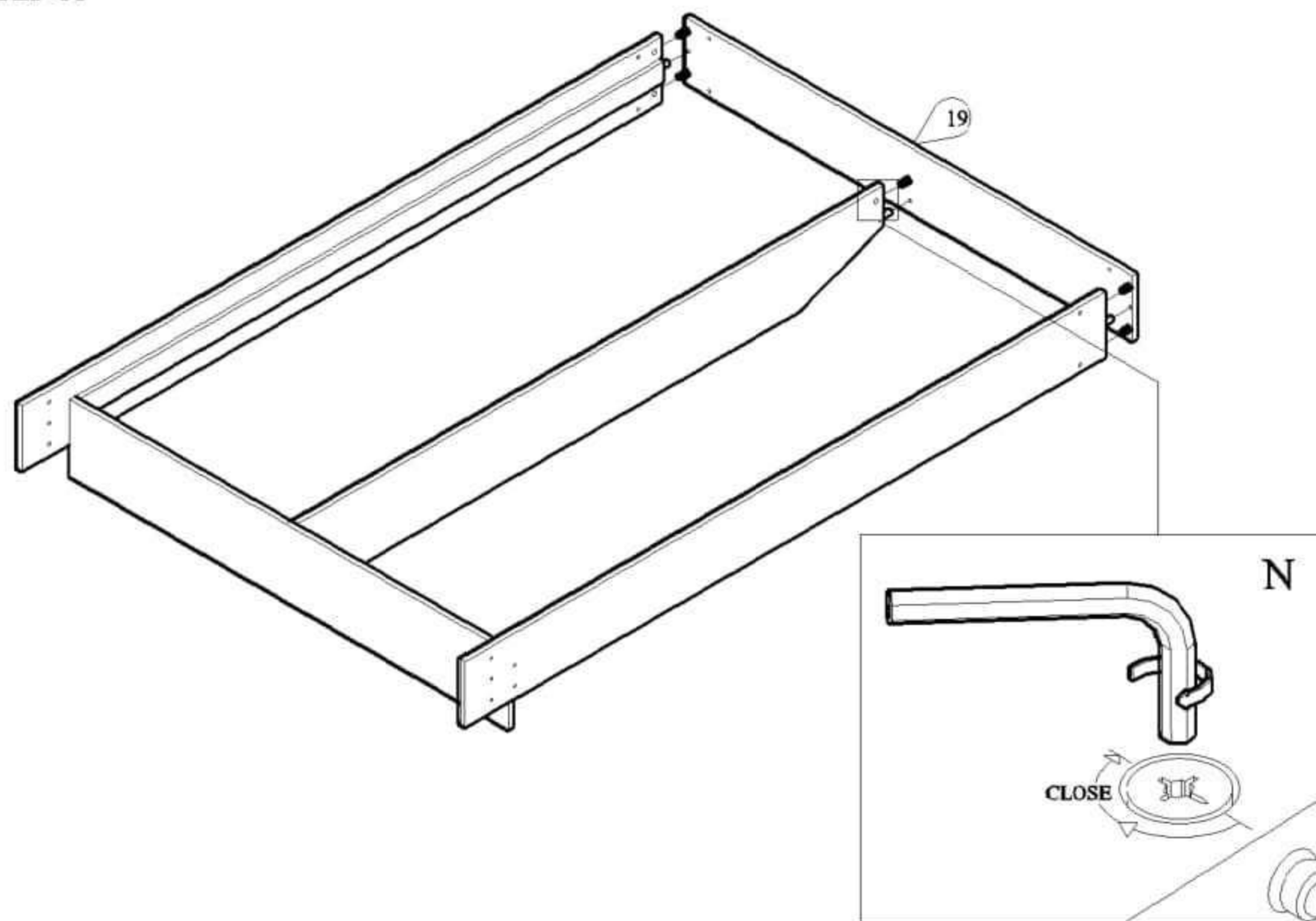
STEP 9



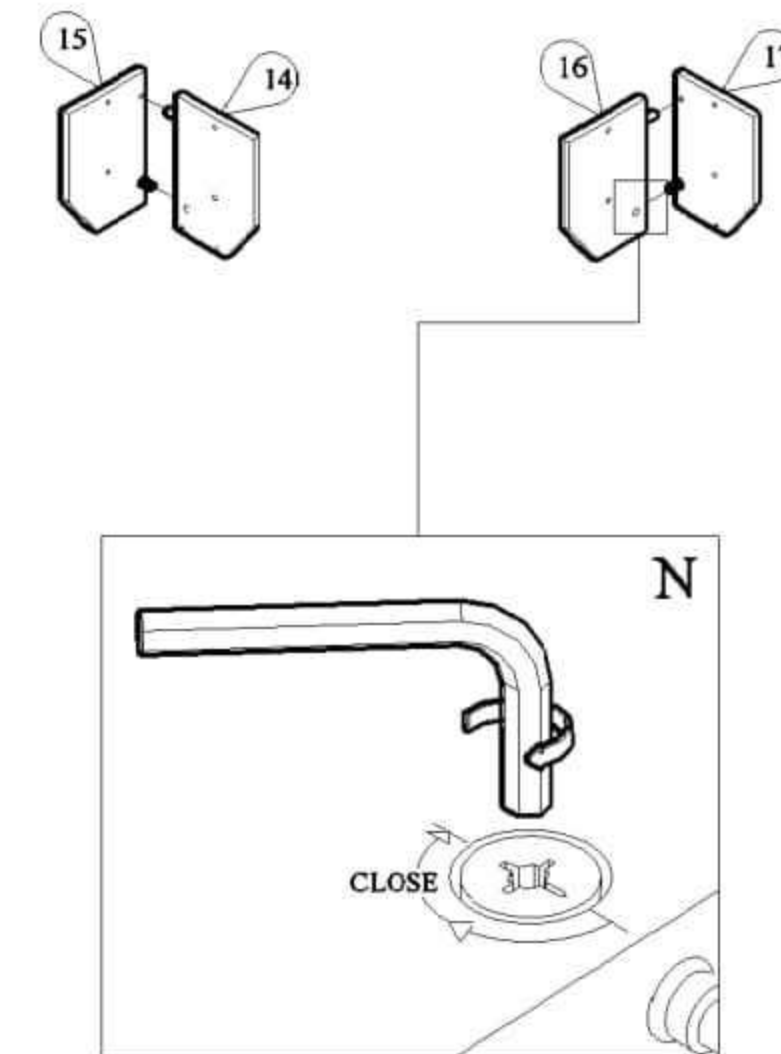
STEP 10



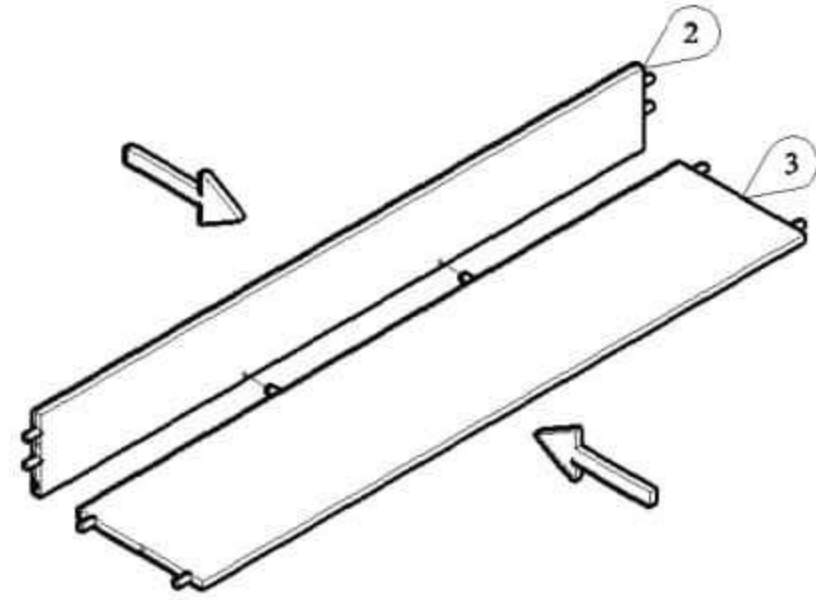
STEP 11



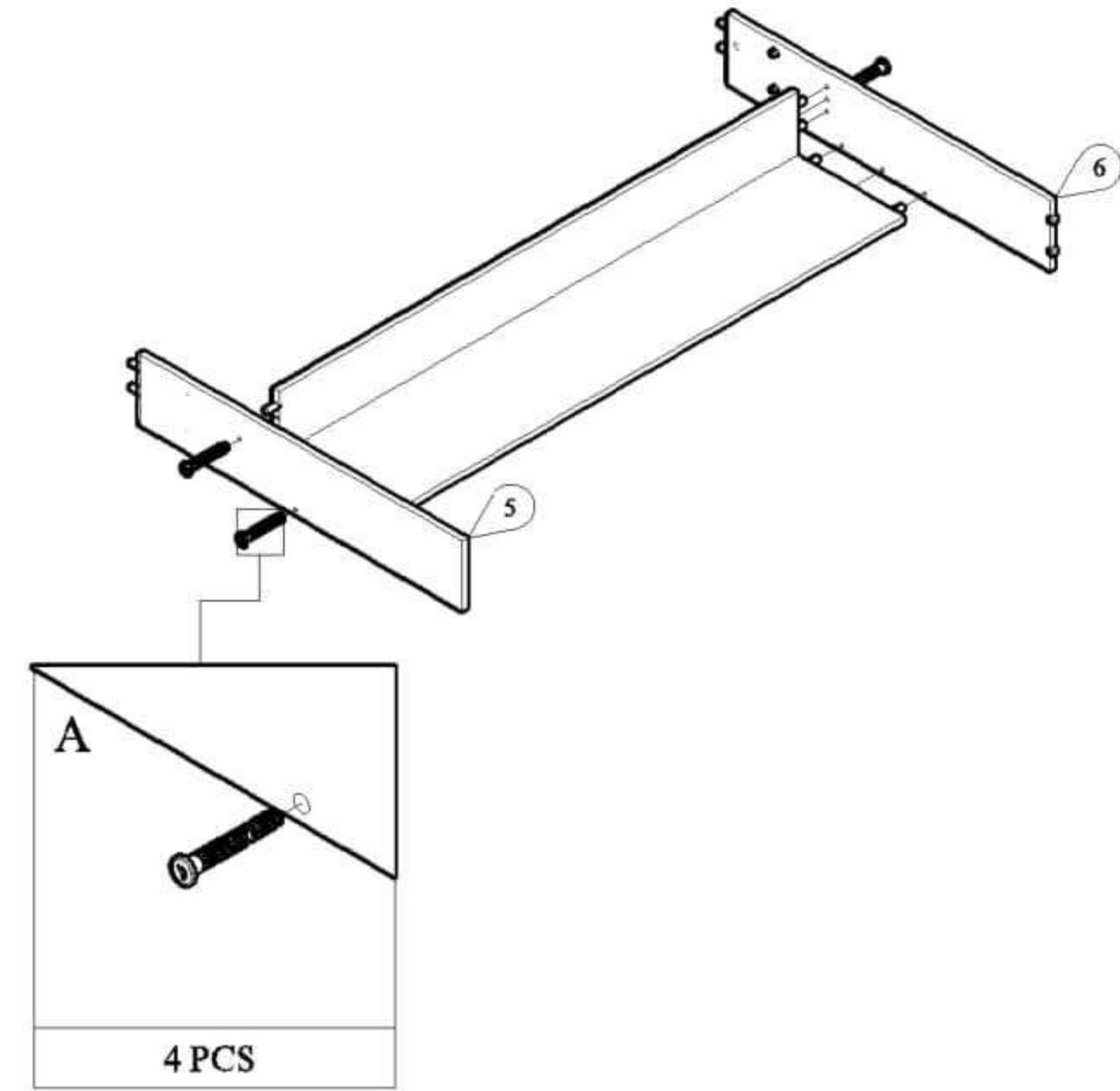
STEP 12



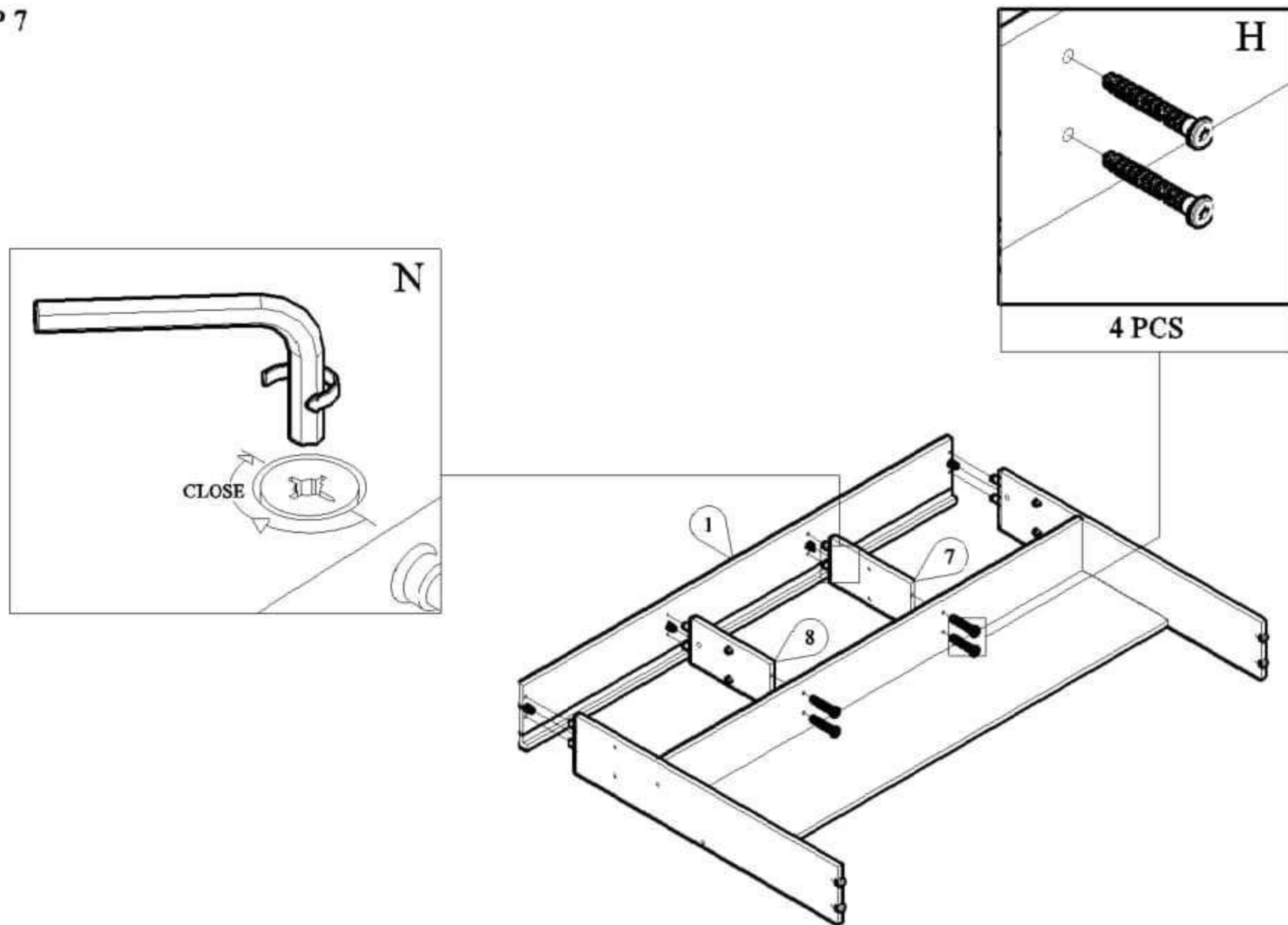
STEP 5



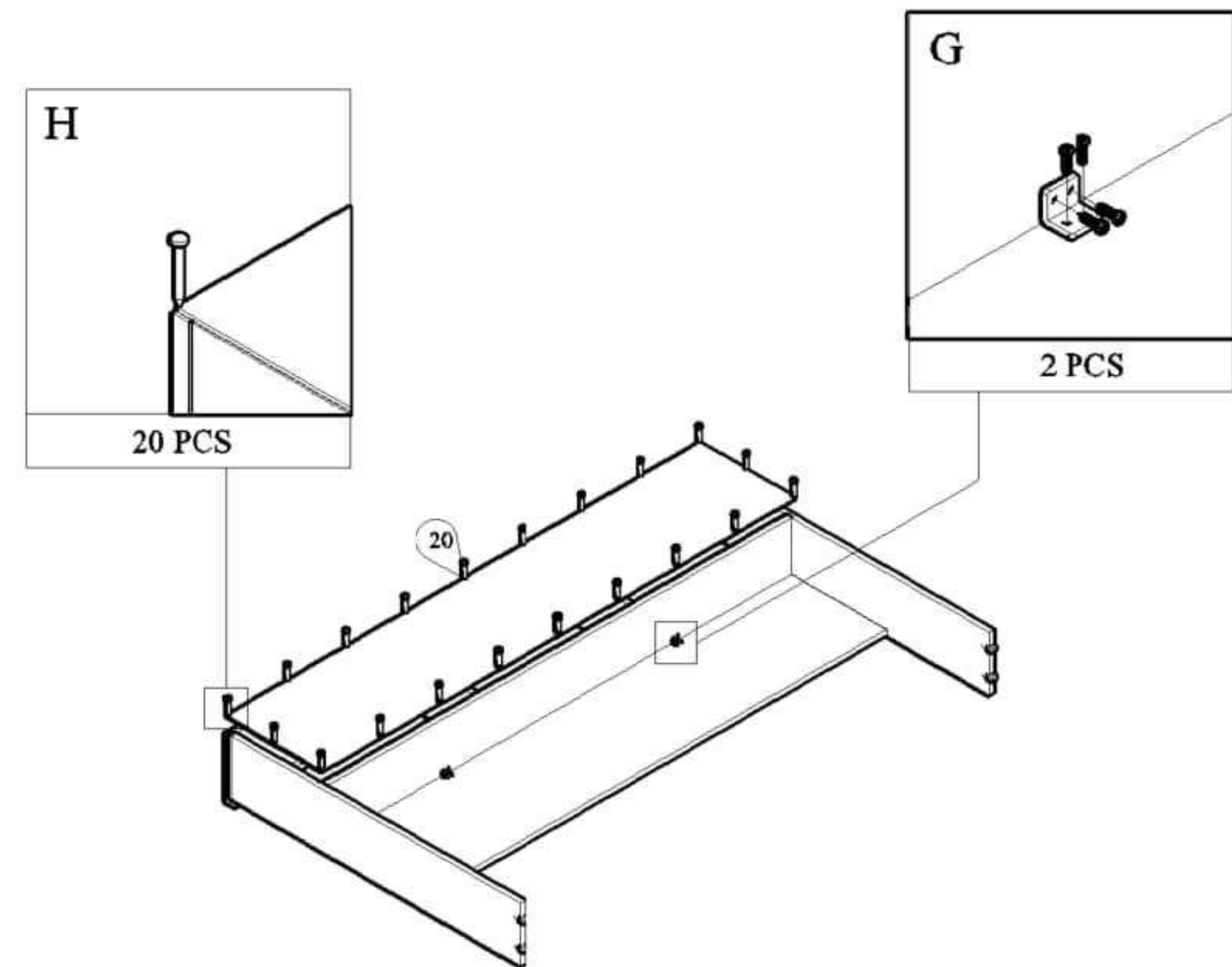
STEP 6



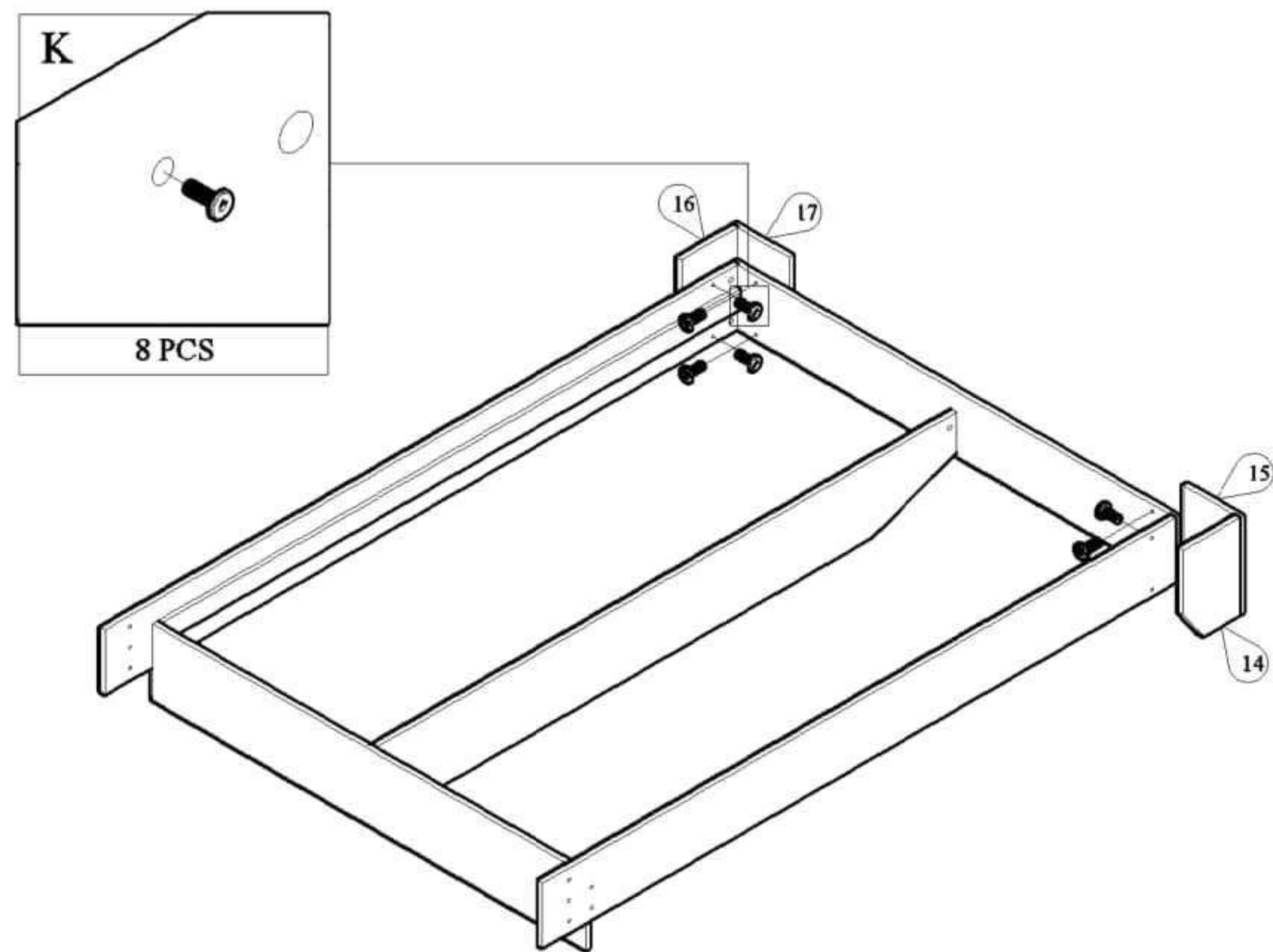
STEP 7



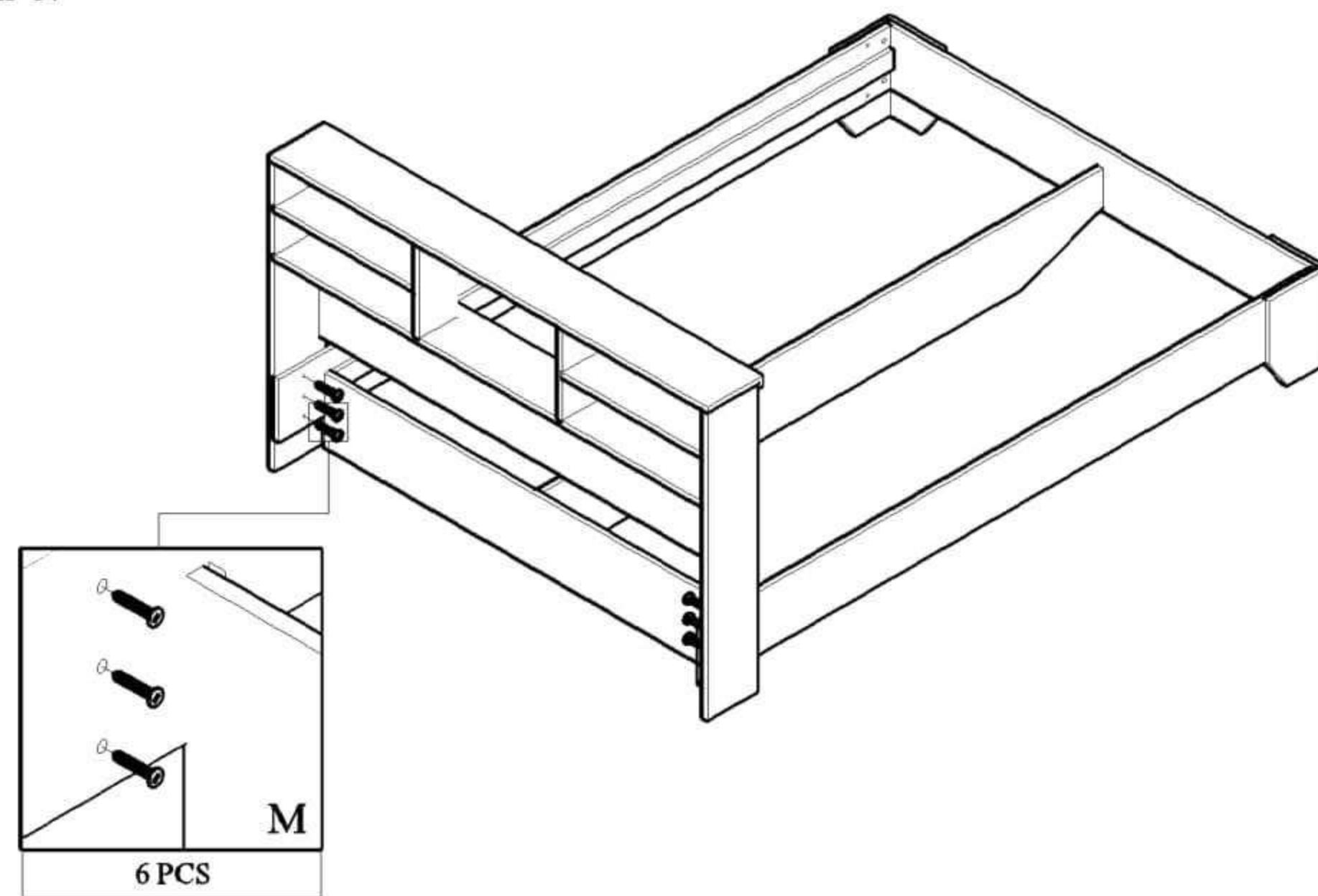
STEP 8



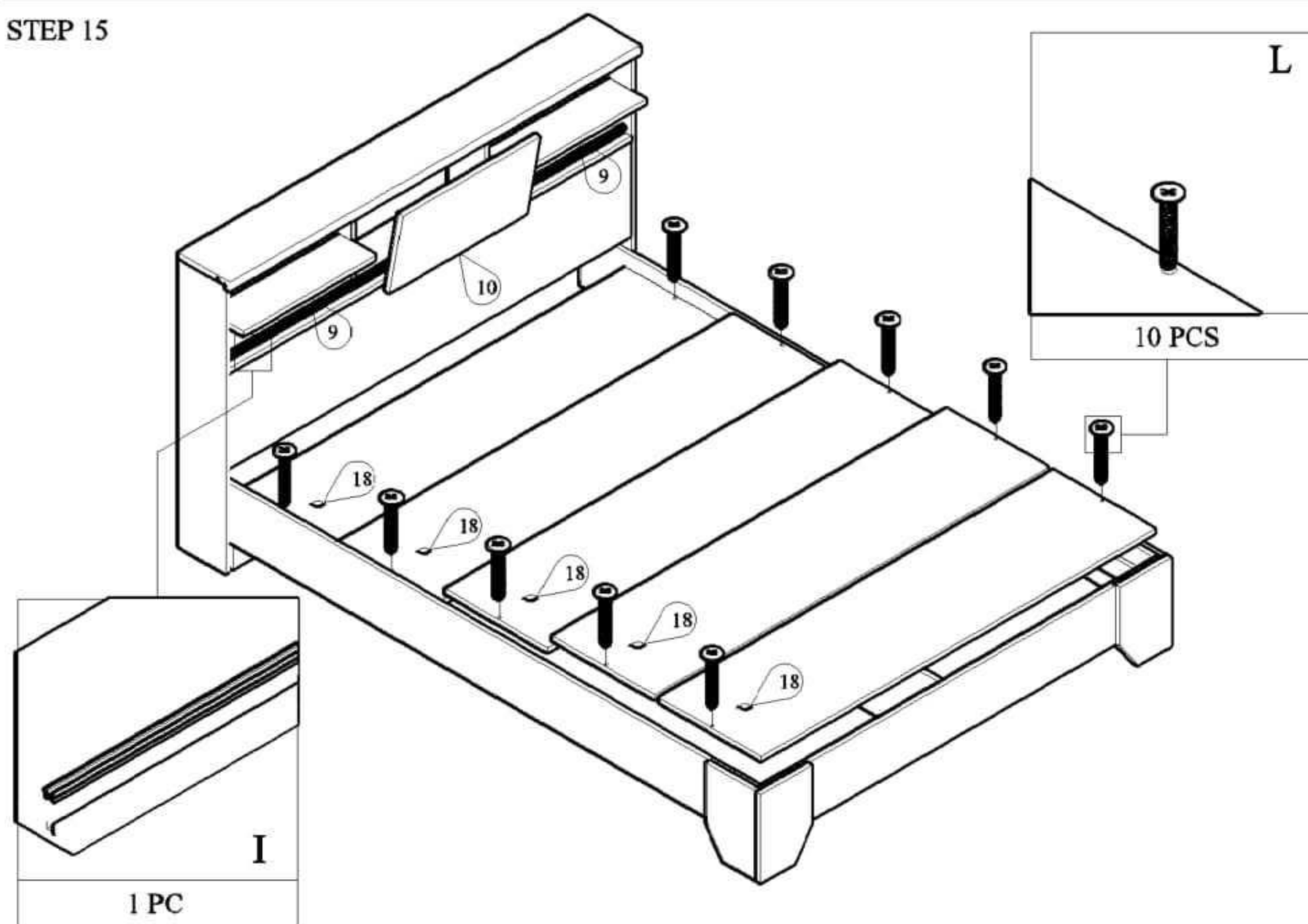
STEP 13



STEP 14



STEP 15



COMPLETED

