

CARE AND MAINTENANCE


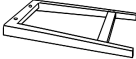
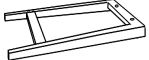




Always use felt pads under all articles to prevent discoloration or softening of the lacquer. Plastic and rubber bases on items can discolor wood. Wipe up spills immediately and avoid common hazards such as hot dishes, harsh solvents and abrasives. Cleaning should be done with a soft lint free cotton cloth dampened with water or furniture polish. On highly used surfaces we recommend applying a quality paste wax which should be used on a regular basis to provide additional protection from scratches and spills. How often you apply the wax depends on how much wear the furniture receives.

NOTICE

* Please make sure that you have all parts indicated before you begin assembly of this item

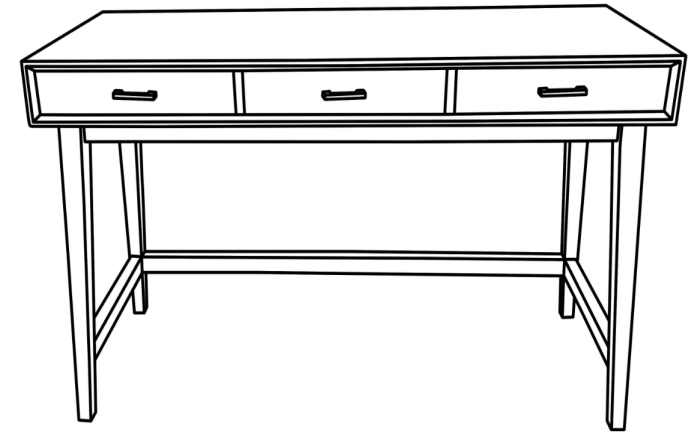
* This item should be assembled on a soft surface to prevent scratching the finish during assembly

Part List

PIECE	DESCRIPTION	PICTURE	QUANTITY
A	Desk Top		1X
B	Left Side Panel		1X
C	Right Side Panel		1X
D	Cross wood		1X
E	Allen Key Driver		1X
F	Allen Bot 8x1.41x38mm		6X
G	Wooden Plug		2X

Product Dimensions: 47.25"W x 19"D x 29.5"H

Weight Capacity: 40LBS

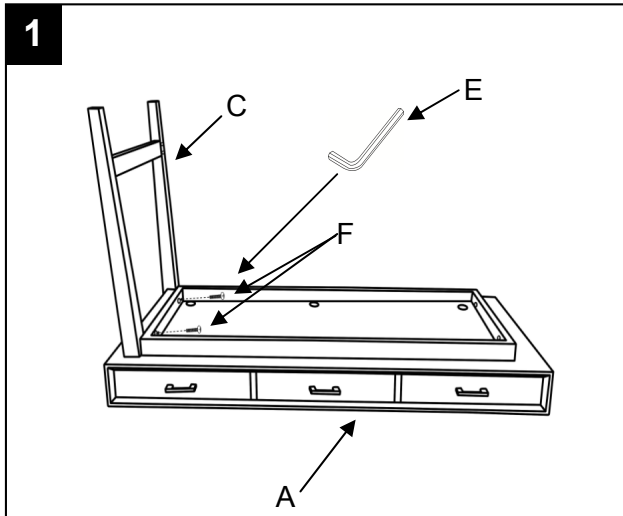


Serial Number _____

Purchase Date _____

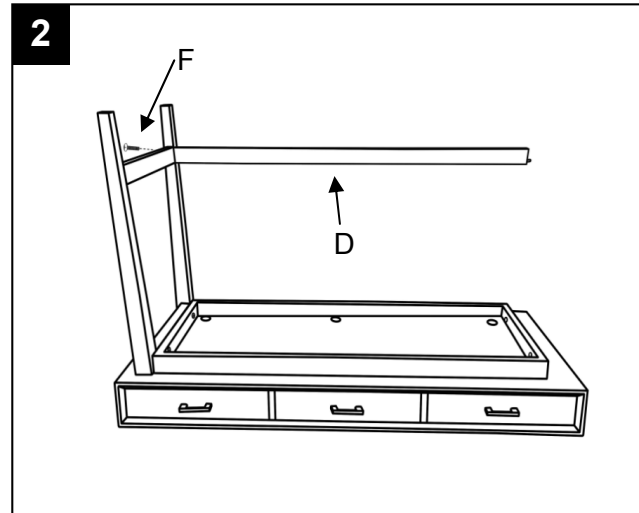
PREPARATION

Before beginning assembly of product, make sure all parts are present. Compare parts with package contents list
If any part is missing or damaged, do not attempt to assemble the product.
Estimated Assembly Time: 5 minutes.



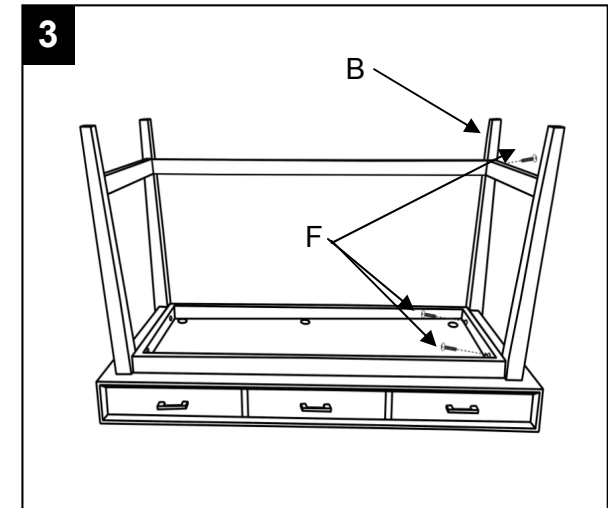
Step 1

Take all packaging off the desk.
Screw right side panel C to desk top
2pcs screws F required.
Allen key driver E required.



Step 2

Screw the cross wood D to right side panel C.
1pc screw F & Allen key driver required.
1pc wooden plug G to cork the screw holes.



Step 3

Screw left side panel B to the desk top & cross wood.
3pcs screw F & Allen key driver required.
Turn the desk up to the right side.
Assembling process done.