

LED Lamp Wall Sconce

INSTALLATION SHEET

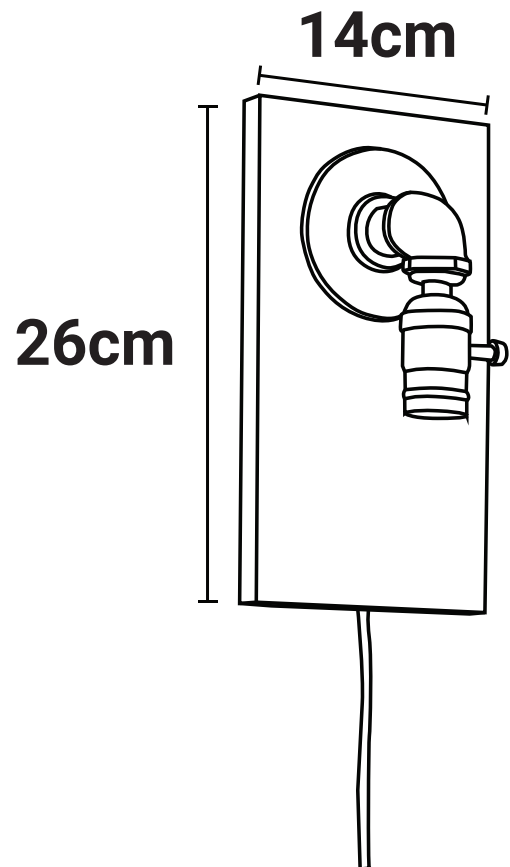
START FROM HERE

- Make sure power is completely off at the fuse box.
- Have your fixture installed by a qualified licensed electrician
- Prepare everything in a clear area.
- Wear gloves at all times during this installation.
- Read instructions carefully before you start assembly.
- Keep this instruction sheet for future reference.

Please Note:

- This product uses E26 (E27) light source
- Unless otherwise indicated, do not touch any part of E26(E27) unnecessary contact with the module could cause permanent damage.
- For dimming, an ELV (Electronic Low Voltage) type of dimmer is required.

installation method



- 1.** Screw the accessory to the wall.
- 2.** Hang up the light directly.