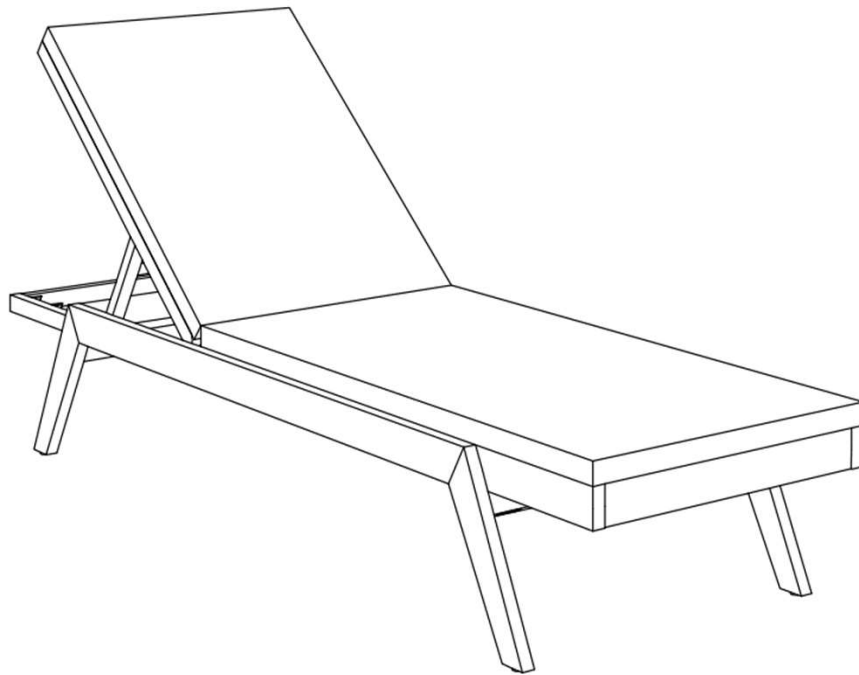


Assembly Instructions

Caution: You must read this before you proceed

Please look on the Seat Panel for hardware packs

SUN LOUNGER


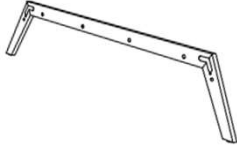

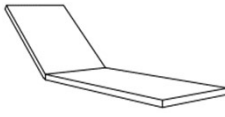


CAUTION: This Sun Lounger is NOT a TOY.





Keep your child / children at bay during the assembly process.

For moving the Sun Lounger and to prevent damage to the Sun Lounger, two adults may be needed to execute this action.

Parts List

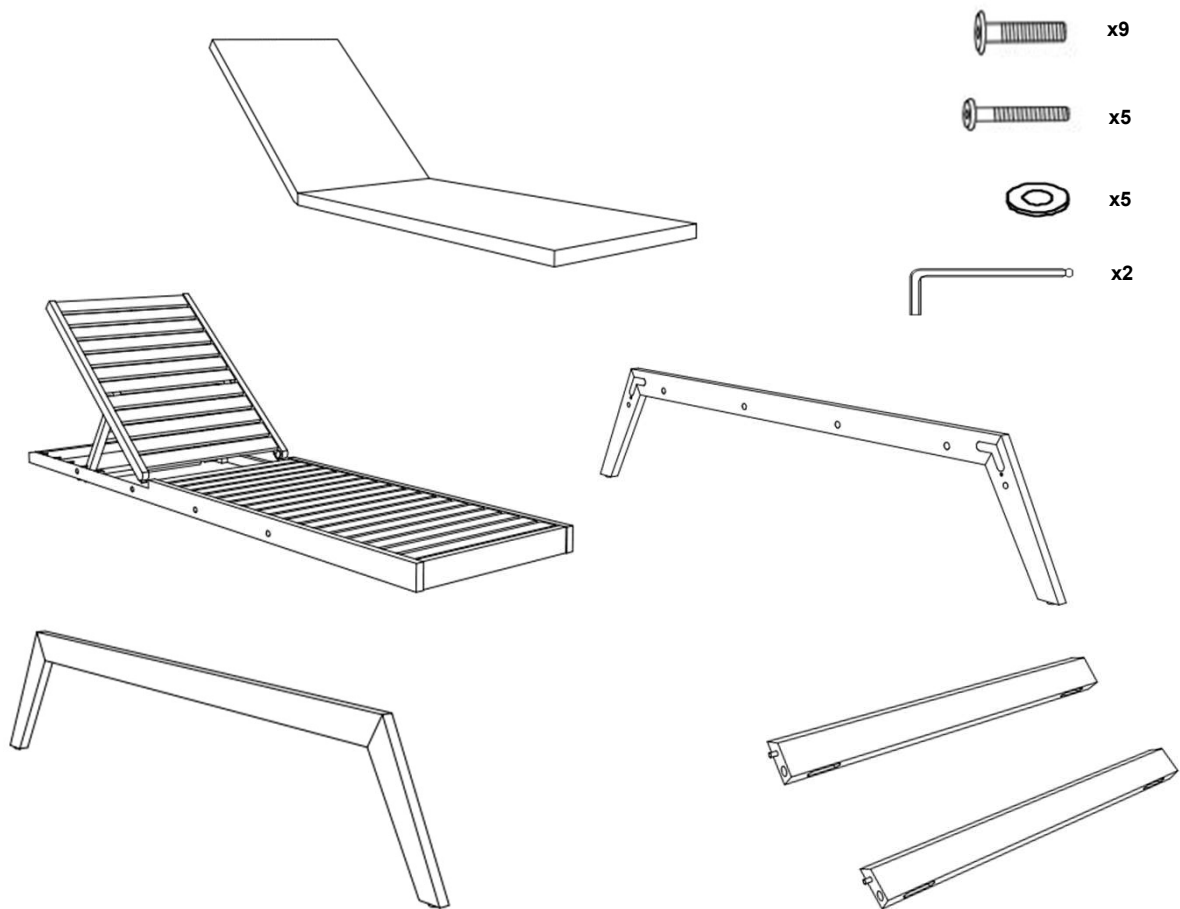
Label	Picture	Description	QTY
A		Seat Panel	1
B		Leg Panel	2
C		Cross Bar	2
D		Cushion	1

Hardware

Label	Picture	Description	QTY
①		Bolt (M8 x 40mm)	9
②		Bolt (M6 x 45mm)	5
③		Washer	5
④		Allen Wrench	2

Assembly Preparation

Before Beginning Assembly:



- Read instructions, cover to cover-



- Have 2 adults on hand for assembly-



- Do not assemble on flooring or carpet-



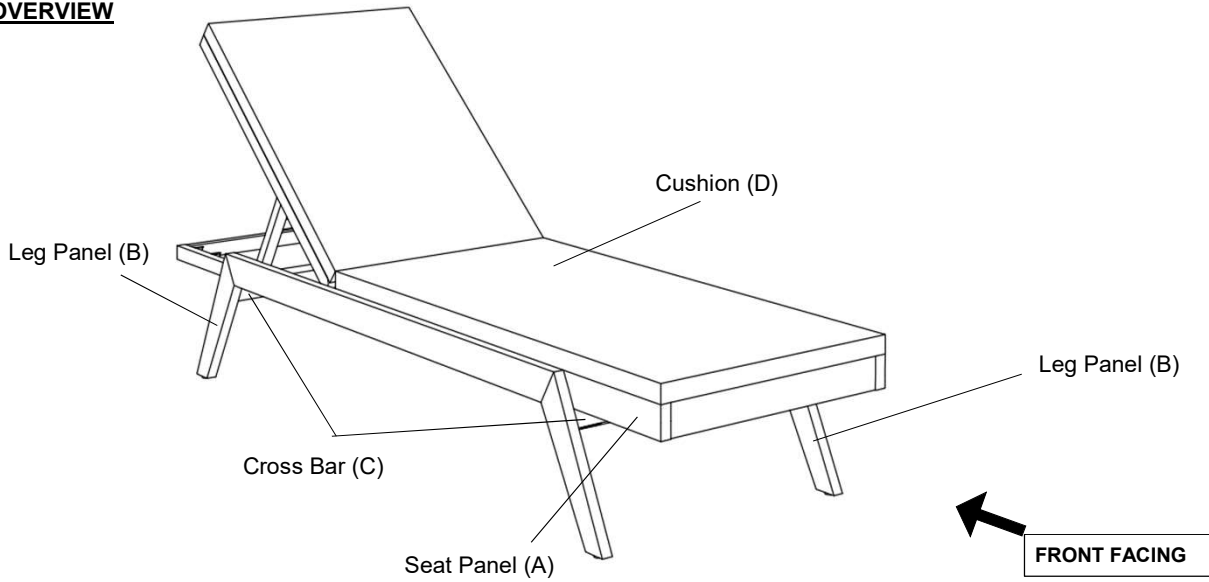
- Assemble on a clean non-marring surface (packing foam)-



- Save all packaging until finished-

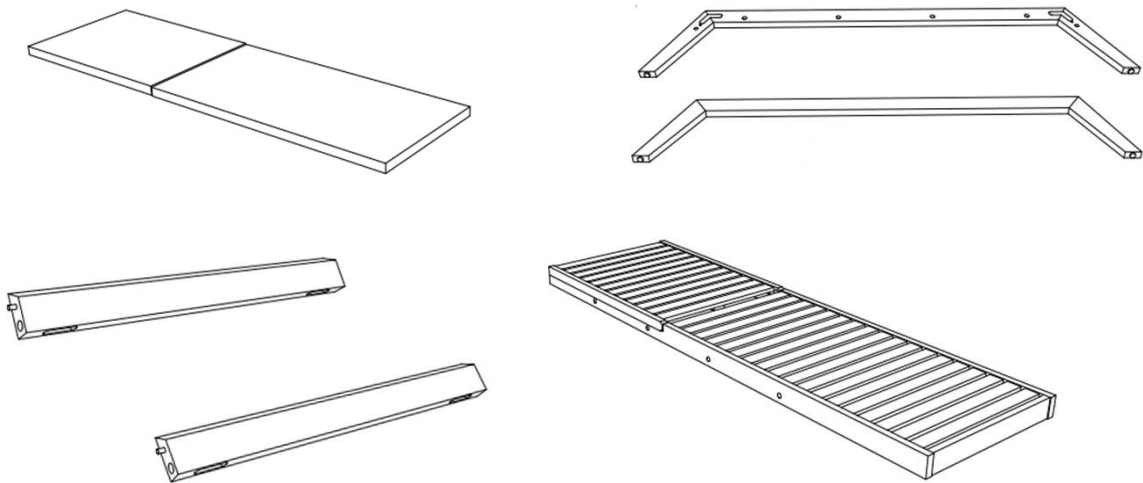
Assembly Steps

OVERVIEW



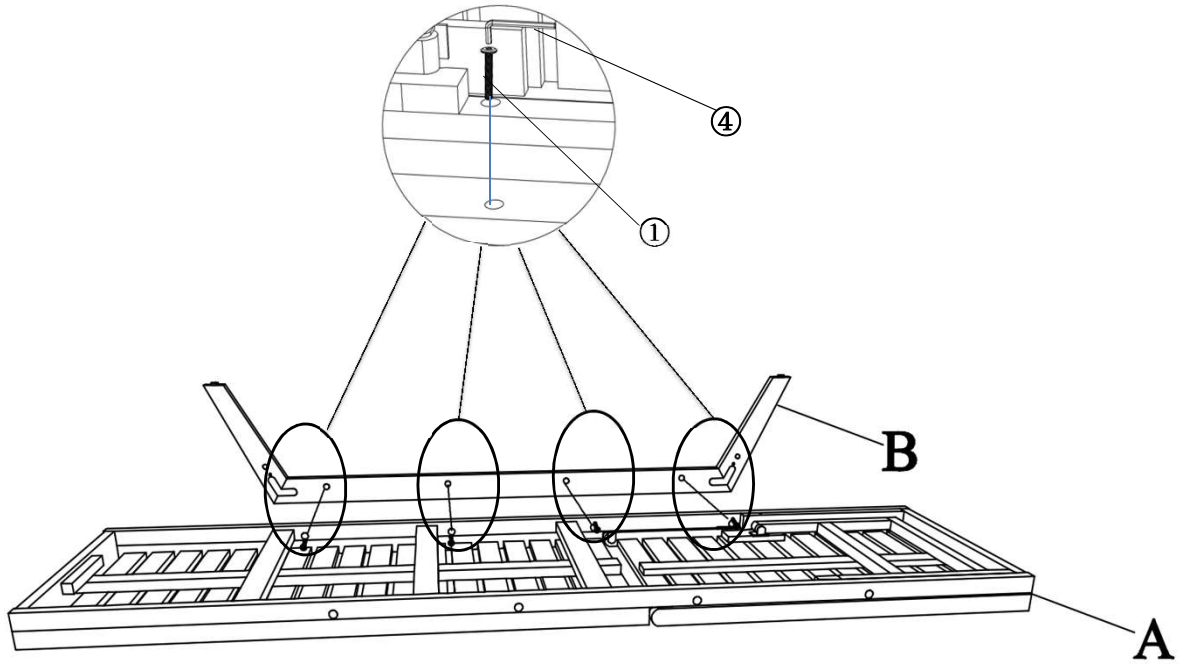
This Sun Lounger has multiple parts and may require up to some 30 minutes to assemble. To give you an overview of the Sun Lounger parts, the above picture is to help you put the various parts into perspective. Please read through the instructions below to familiarise yourself with the parts and steps before assembly.

Step 1



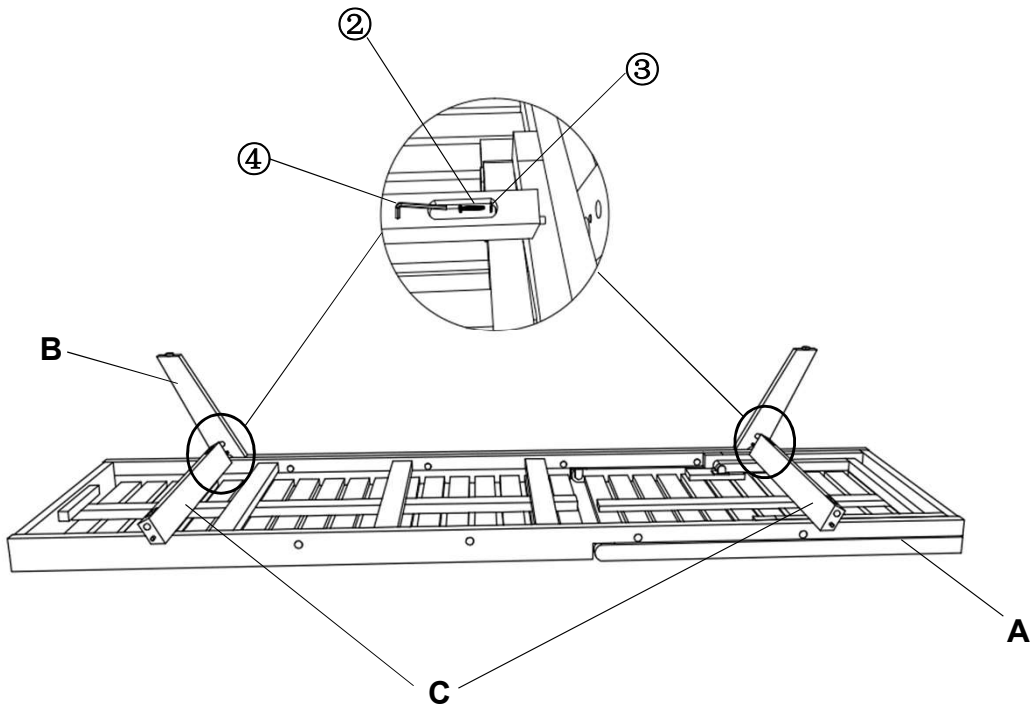
Unpack and place all parts on a clean, non-marring surface.

Step 2



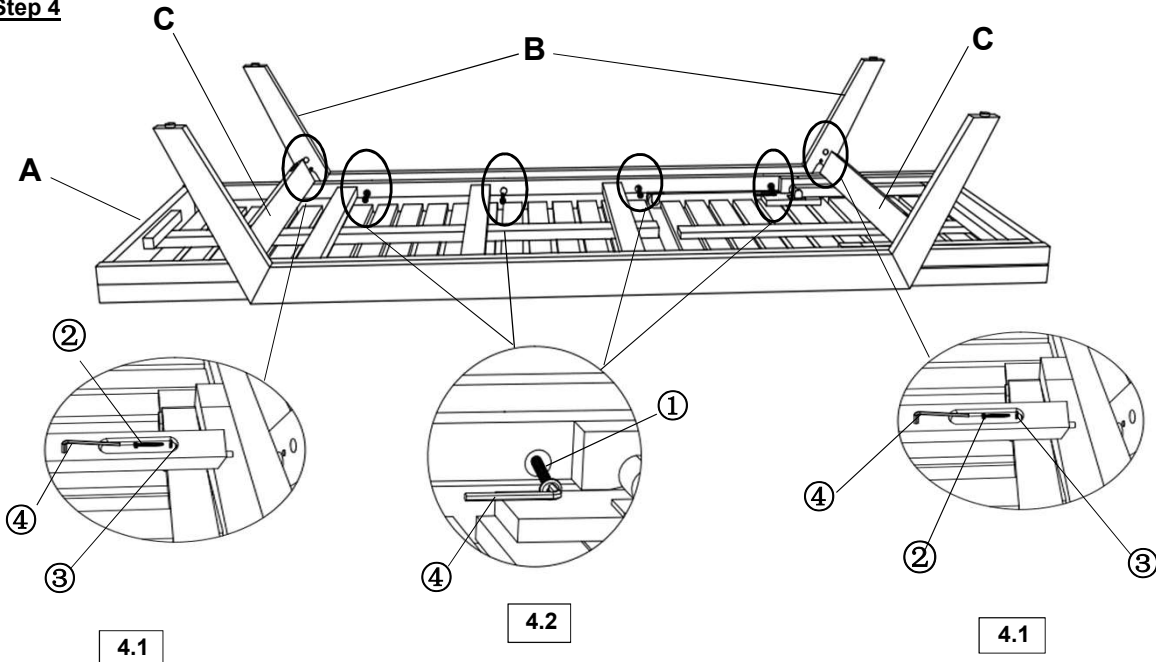
With assistance from your adult partner, place the Seat Panel (A) facing up on a clean, non-marring surface. Attach the Leg Panel (B) to the Seat Panel (A) by using Bolt (1) and Allen Wrench (4) as shown above. **Do not fully tighten the Bolts.**

Step 3



With the assistance from your adult partner, attach the Cross Bar (C) to the Seat Panel (A) and the Leg Panel (B) of the assembled part in Step 2 by using Bolt (2), Washer (3) and Allen Wrench (4) as shown above. **Do not fully tighten the Bolts.**

Step 4

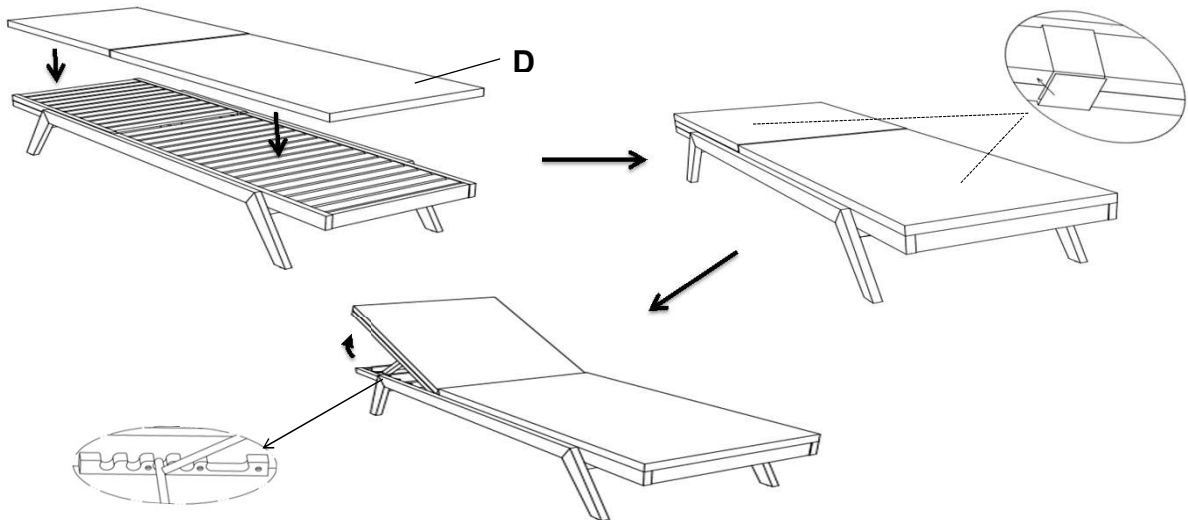


With assistance from your adult partners, attach the assembled part in the Step 3 to the Leg Panel (B) as shown above.

4.1. Attach the Leg Panel (B) to the Cross Bar (C) of the assembled part in Step 3 by using Bolt (2), Washer (3) and Allen Wrench (4)

4.2. Attach the Leg Panel (B) to the Seat Panel (A) of the assembled part in Step 3 by using Bolt (1) and Allen Wrench (4)
Do not fully tighten the Bolts.

Step 5



With assistance from your partner, stand the assembled part in Step 4 up.

Place the Cushion (D) onto the Sun Lounger, then attach all 6 Magic Tapes of the Cushion (D) to the Seat Panel (A) as shown above.

Lift the headrest part of the Sun Lounger to the desired position as shown above.

Place the Sun Lounger on a **LEVEL SURFACE**.

Inspect it and make sure all parts are adequately connected.

Gently and gracefully, sit onto the Sun Lounger.

This will help align all the parts at all joint areas.

Then get off the Sun Lounger and proceed to tighten the Bolts in a sequential manner.

When tightening the Bolts, tighten sequentially.










DO NOT tighten any Bolts fully and then move on towards the next one.

If there are any wobbles after tightening, loosen the Bolts and execute this same process.

The Sun Lounger is ready to be used.

This Sun Lounger can only be used on a flat, level surface.

Care & Maintenance

-  ● Do not put hot items directly on furniture surface
 -  ● Do not clean furniture with harsh cleansers or polish.
 -  ● To obtain the longest lifespan of your outdoor products, minimizing exposure to direct sunlight is recommended.
 -  ● Children should not climb or jump on the furniture.
 -  ● Do not write on furniture without a padded barrier to protect the surface.
 -  ● To obtain the longest lifespan of your outdoor products, avoid extended and lengthy exposure to rain, snow, and direct sunshine. Whenever possible cover the product and /or place under patio or awnings.
 -  ● Not for commercial use. For residential use only .
 -  ● Stains may be removed with mild soap solution and damp cloth.
-
-  ● Dust and pick-up spills using a clean, non-colored, lint-free cloth .