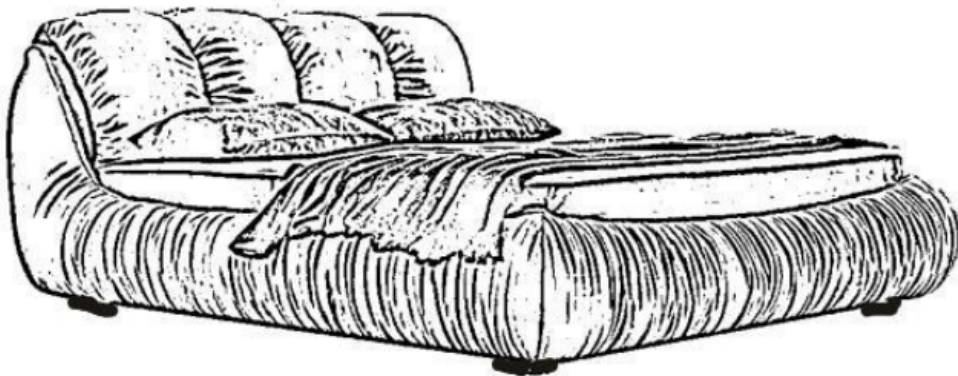


ASSEMBLY INSTRUCTIONS

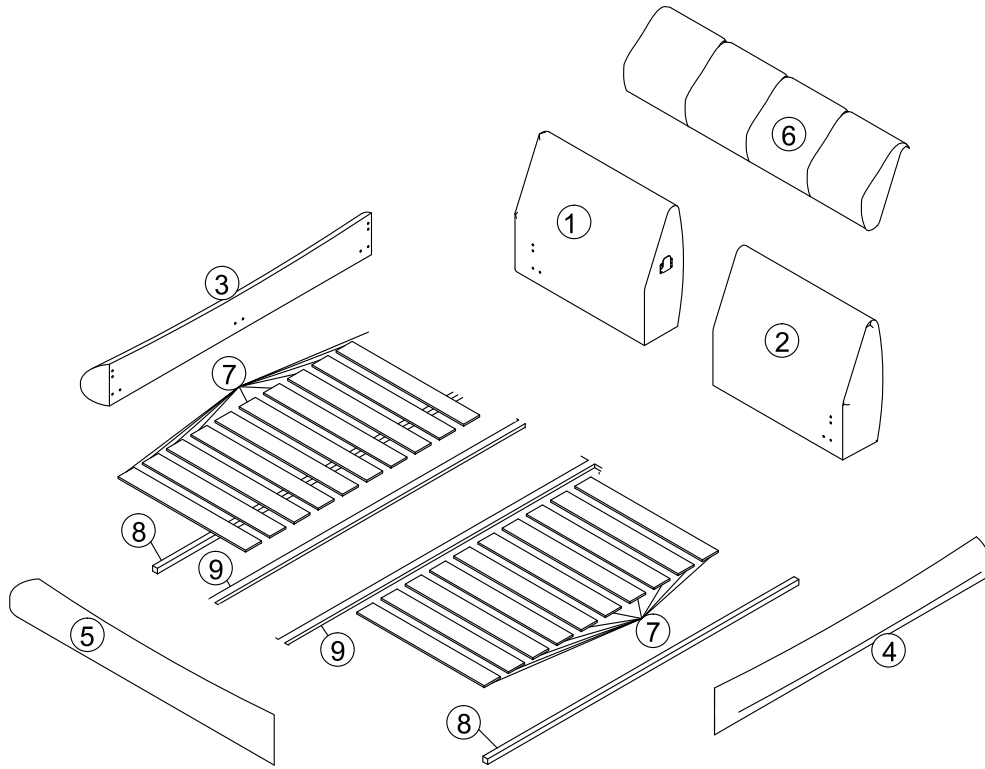
UPHOLSTERED PLATFORM BED



ASSEMBLY INSTRUCTIONS

Description: Upholstered Platform Bed

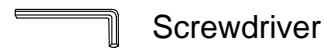
Thank you for purchasing this quality product, be sure to check all packing material carefully for small part that may have come loose inside the carton during shipment.



PART LIST:

| NO. | Description | Sketch | Quantity |
|-----|----------------------|--------|----------|
| 1 | Headboard-Left | | 1PCS |
| 2 | Headboard-Right | | 1PCS |
| 3 | Side Rail-Left | | 1PCS |
| 4 | Side Rail-Right | | 1PCS |
| 5 | Footboard | | 1PCS |
| 6 | Soft cushion | | 1PCS |
| 7 | Slat | | 2 Sets |
| 8 | Support rails-Wide | | 2PCS |
| 9 | Support rails-Narrow | | 2PCS |
| | | | |
| | | | |

TOOLS REQUIRED(Provided)



HARDWARE LIST:

| | | | |
|--|--------------------|--|-------------------|
| | A-28pcs (M8*30) | | B-8pcs (M8*20) |
| | C-4PCS | | D-6PSC |
| | E-4PSC | | F-4PSC 19cm |
| | G-4PCS 12cm | | H-10PCS |

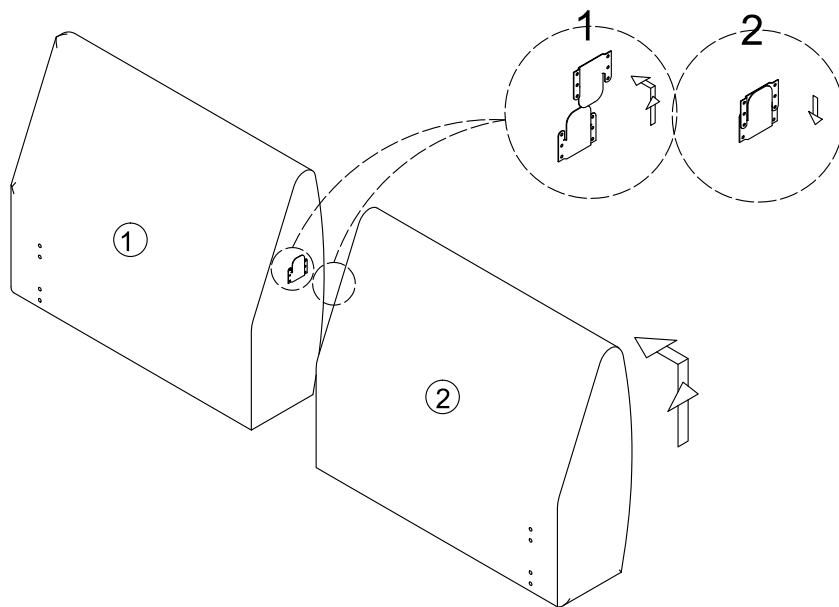
ASSEMBLY INSTRUCTIONS

Description: Upholstered Platform Bed

Thank you for purchasing this quality product, be sure to check all packing material carefully for small part that may have come loose inside the carton during shipment.

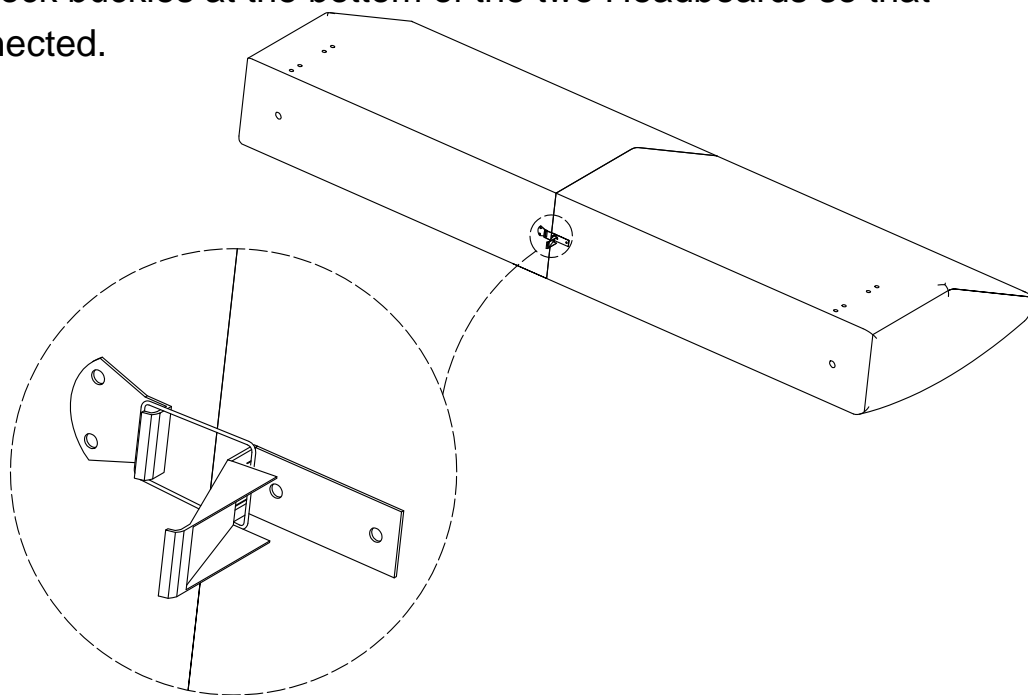
Step 1

Fix the iron connecting buckle on the inner side of the two Headboards together.



Step 2

Connect the lock buckles at the bottom of the two Headboards so that they are connected.



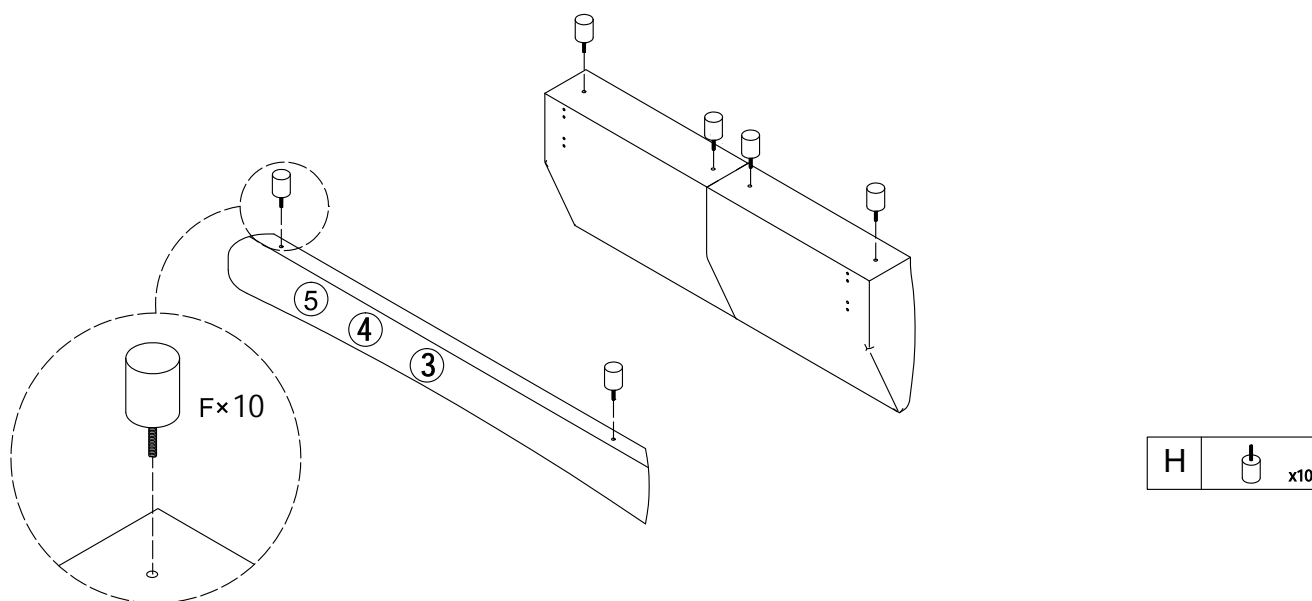
ASSEMBLY INSTRUCTIONS

Description: Upholstered Platform Bed

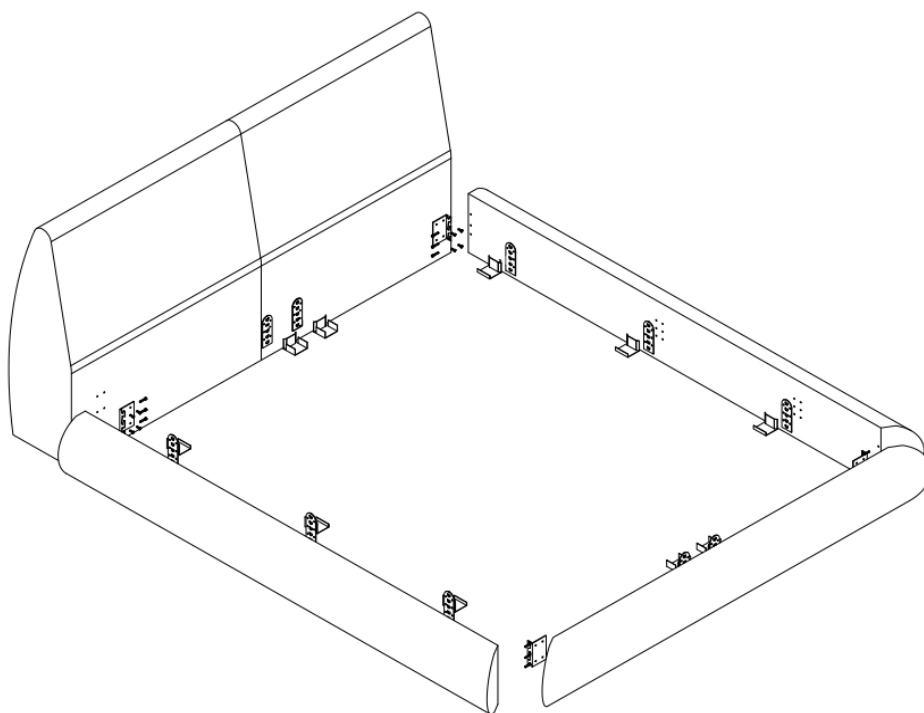
Thank you for purchasing this quality product, be sure to check all packing material carefully for small part that may have come loose inside the carton during shipment.

Step 3

Screw the Cylindrical Leg(H) onto the Footboard(5), Side Rail-Left(3), Side Rail-Left(4) Headboard-Left(1), and Headboard-Right(2).



Step 4



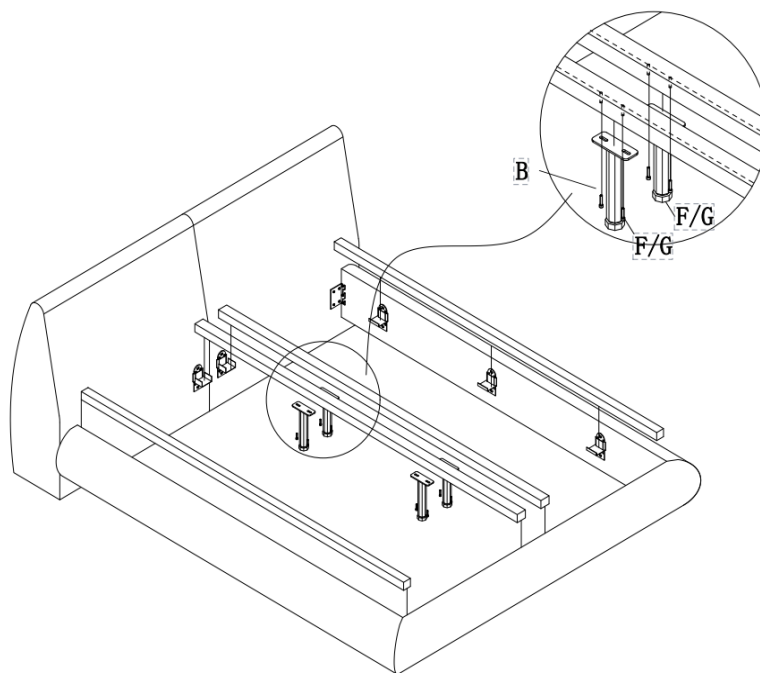
Using A (16pcs-M8*30), install E (4pcs) on headboard 1&2, and Footboard 5. Please pay attention to the installation of hardware E, with the sharp hook shaped part facing upwards.

ASSEMBLY INSTRUCTIONS

Description: Upholstered Platform Bed

Thank you for purchasing this quality product, be sure to check all packing material carefully for small part that may have come loose inside the carton during shipment.

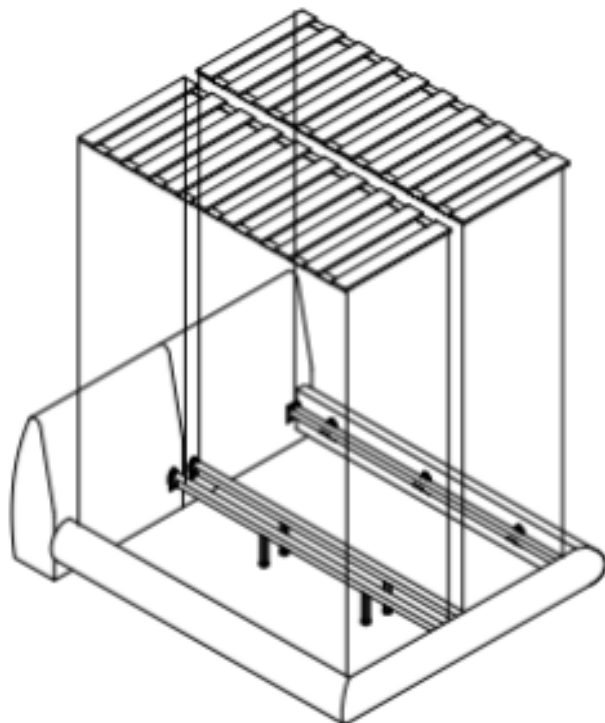
Step 5



B-8PCS(M8*20)

Use B (8pcs M8 * 20) to install F or G on the Support rails Wide.(Select F or G according to the installation height in step 6)

Step 6



Attach Slat (2 Sets) to the Velcro on the guide rail to secure it firmly.

ASSEMBLY INSTRUCTIONS

Description: Upholstered Platform Bed

Thank you for purchasing this quality product, be sure to check all packing material carefully for small part that may have come loose inside the carton during shipment.

Step 7

First, open the zipper,stuff the pillow into the cushion.

Then Stick the soft cushion(6)on Headboard-Left(1)and Headboard-Right(2).

Note:

Due to the compression packaging of the backrest, please pat it gently until it is fluffy and leave it for 48 hours to recover.

