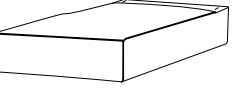
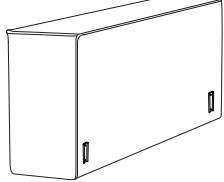


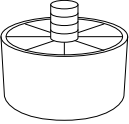
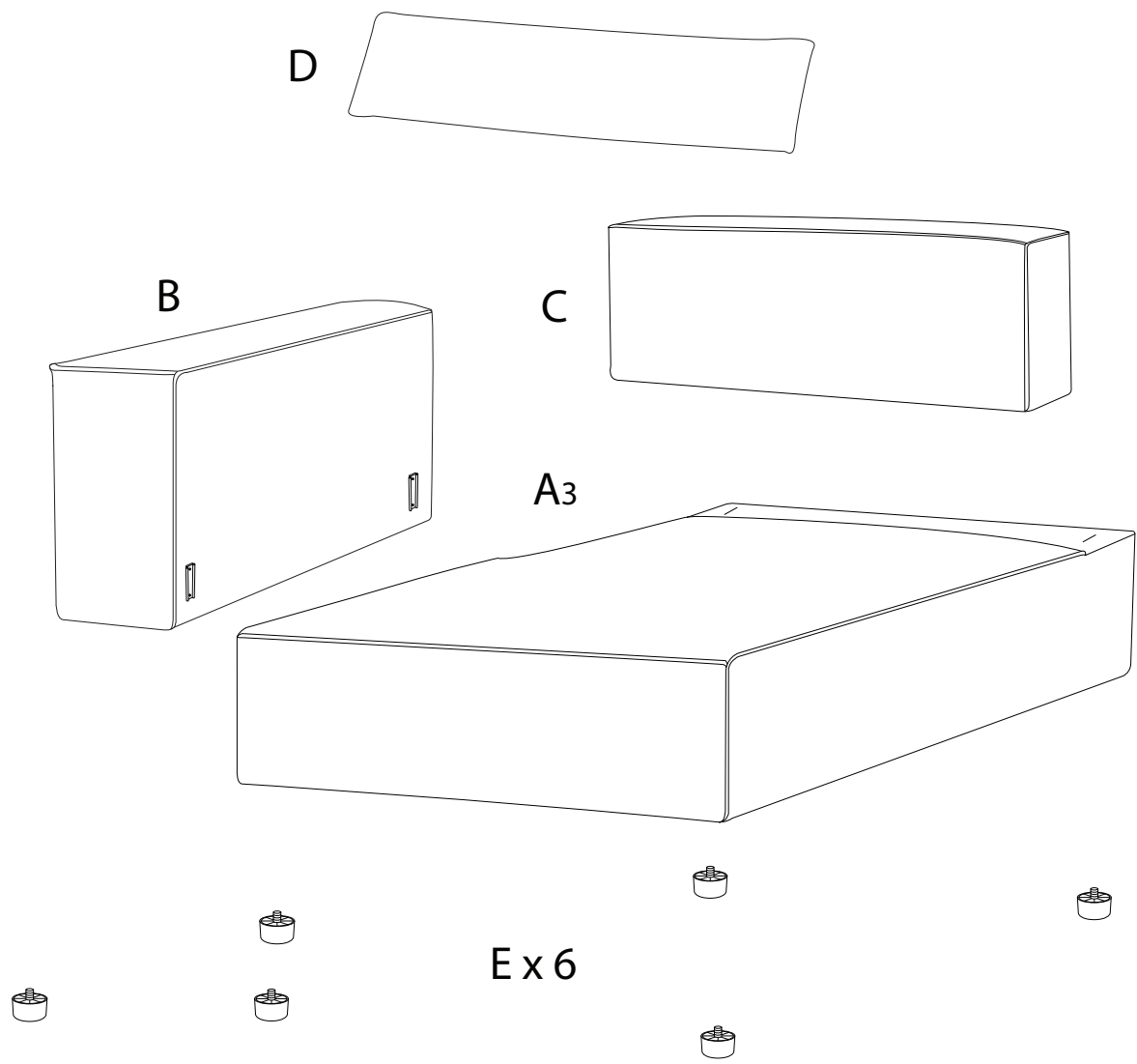
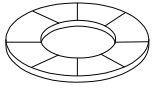
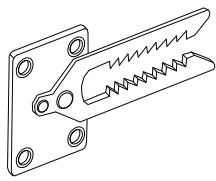

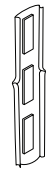


A collection of icons for safety and assembly instructions. On the left, there are two rounded rectangular boxes. The top box contains a circular icon of a screwdriver and a power drill with a diagonal line through it, indicating that a power drill should not be used. The bottom box contains a circular icon of a rectangular block being placed on a textured surface and another icon of a rectangular block with a diagonal line through it, indicating that the block should not be placed on a soft surface. To the right of these boxes are two warning triangles (exclamation marks in triangles). Further right is a clock icon with the text '45'' below it, and a person icon with the number '2' below it.

A

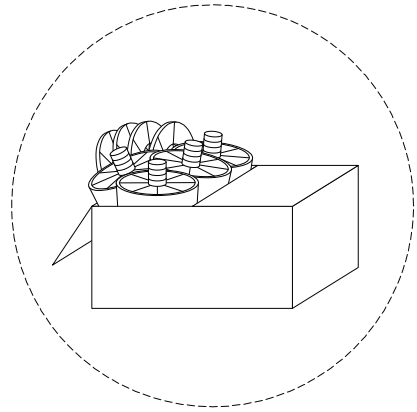
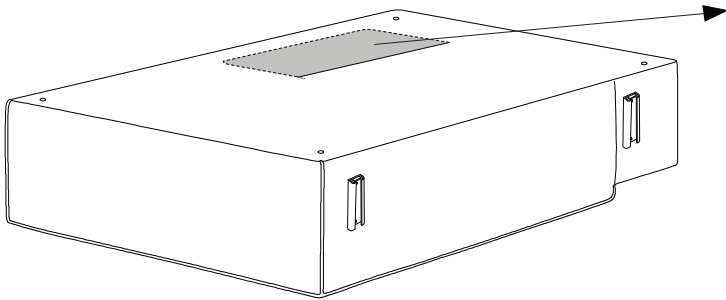
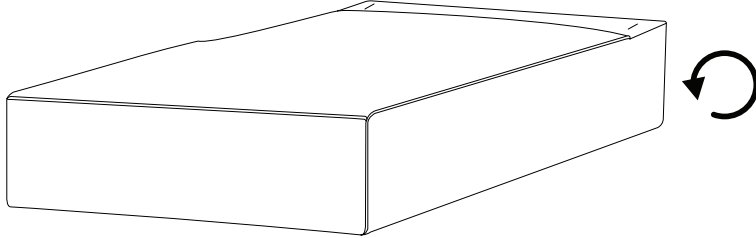
A₃ 	B 	C 	D 	E 
x 1	x 1	x 1	x 1	x 6



F 	G₂ 	H 	I 
x 6	x 2	x 8	x 2

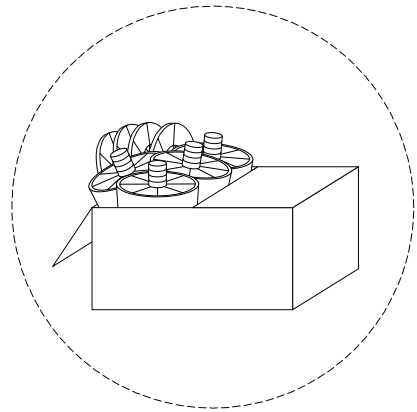
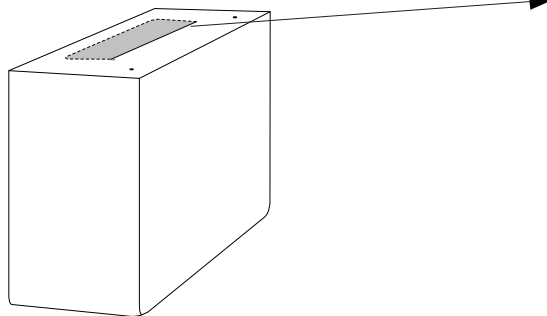
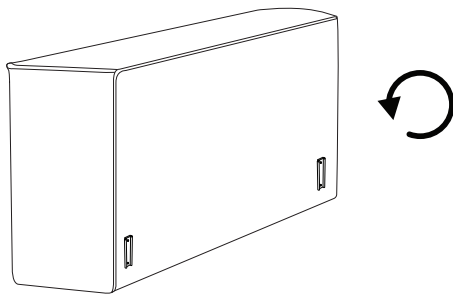
!

A₃

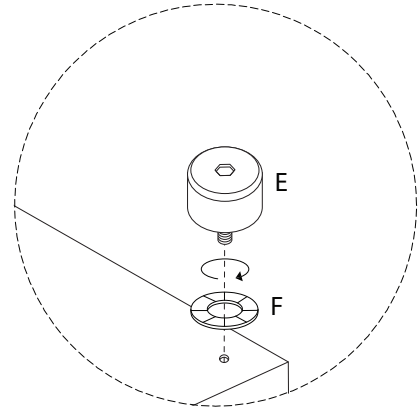
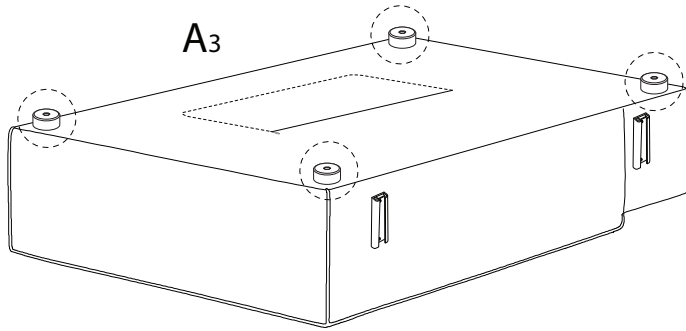
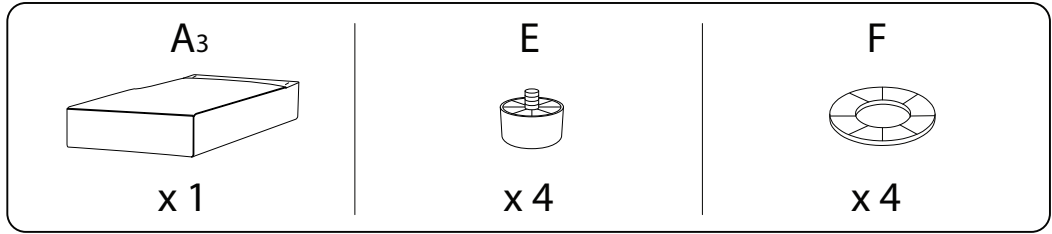


!

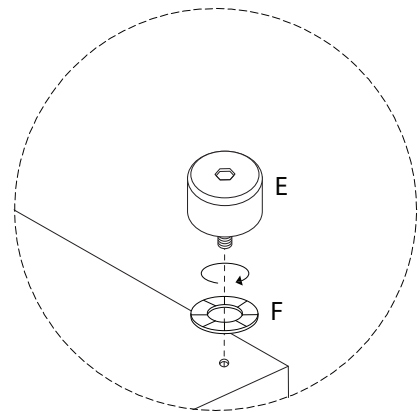
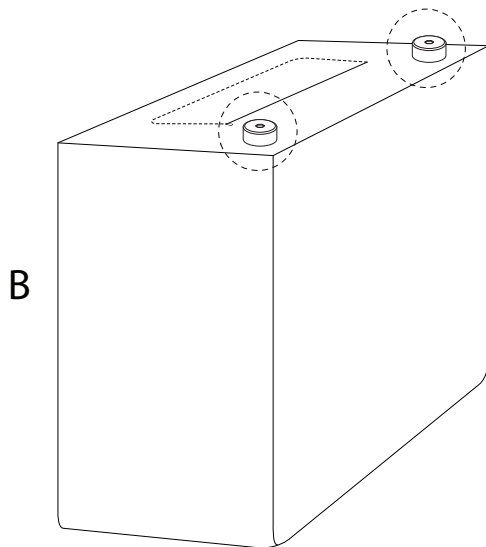
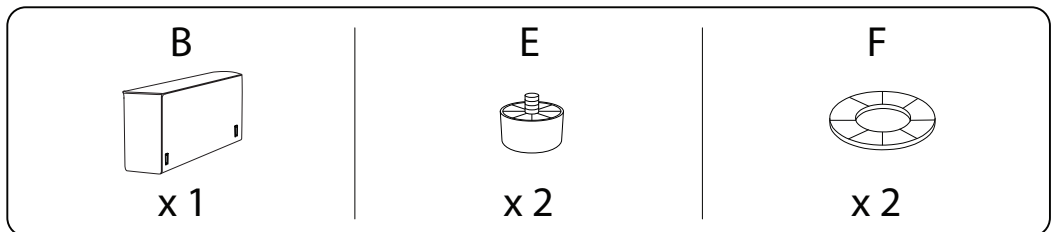
B



1

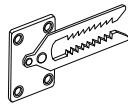


2



3

G₂

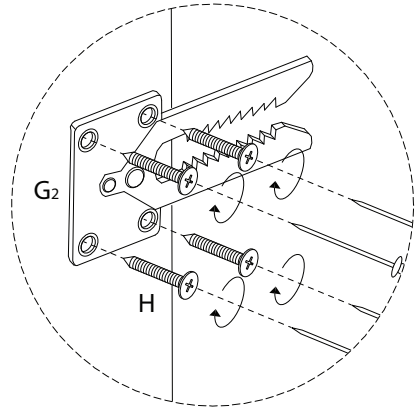
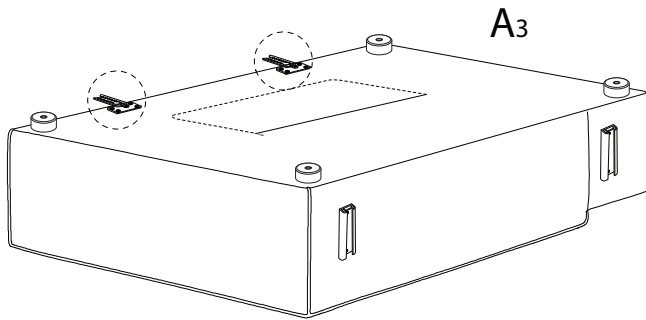


x 2

H

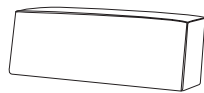


x 8



4

C

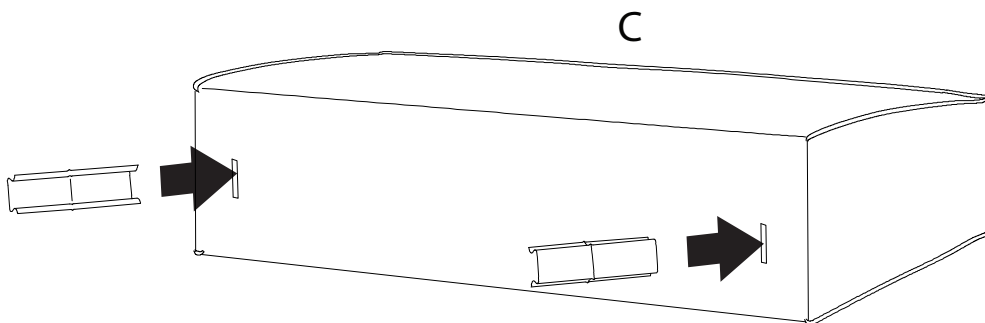


x 1

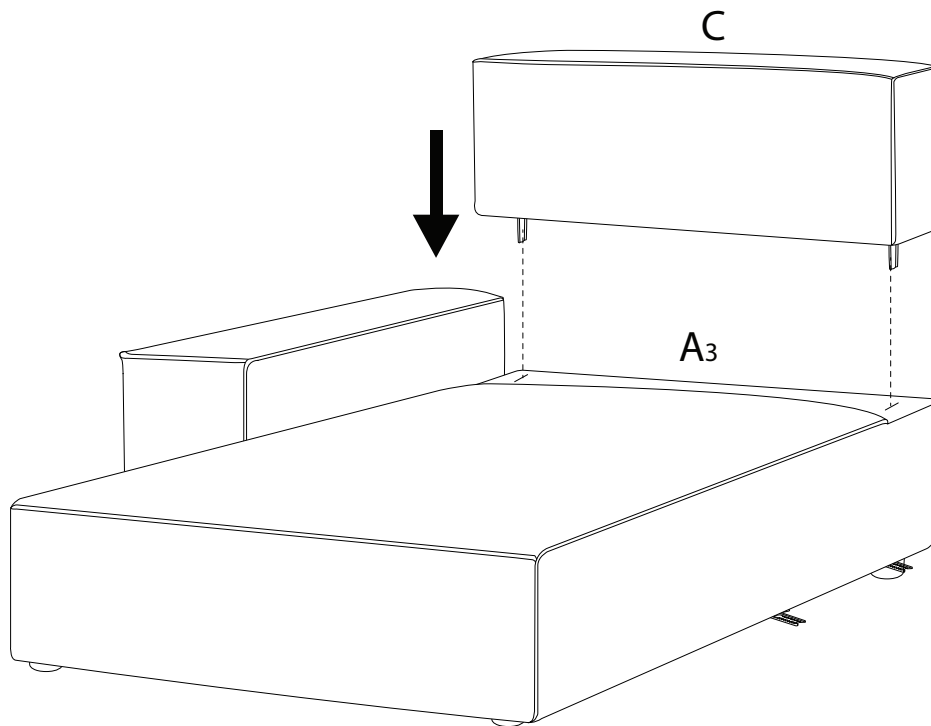
I



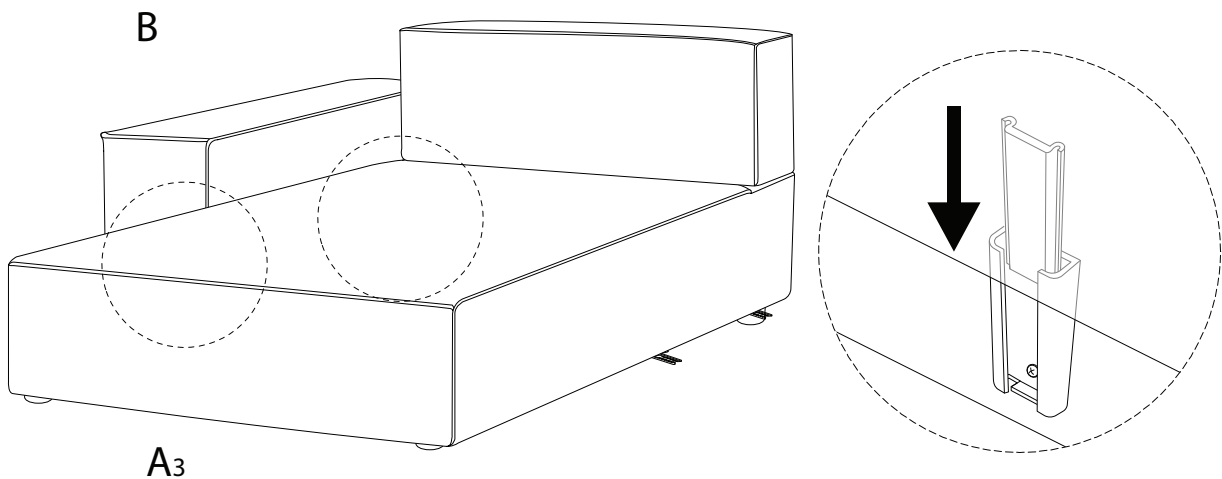
x 2



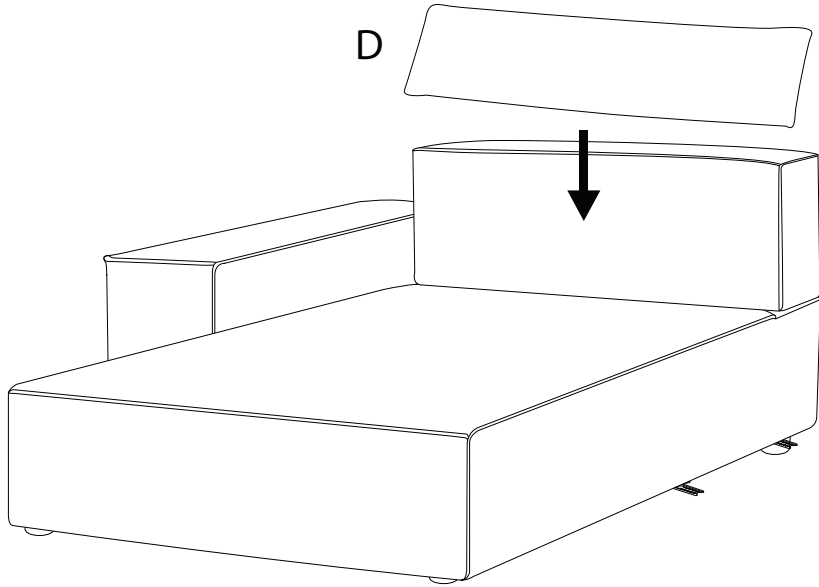
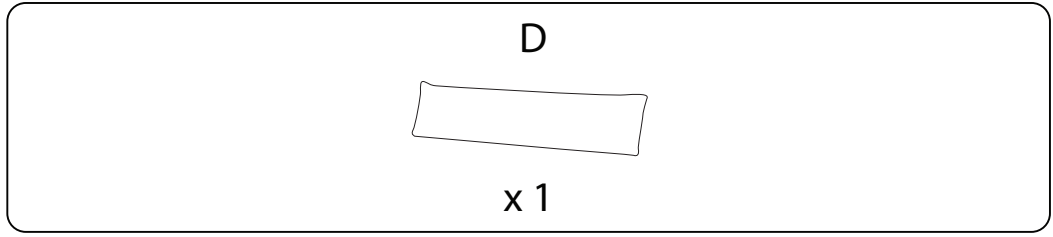
5



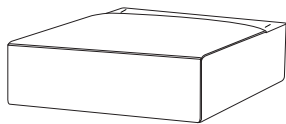

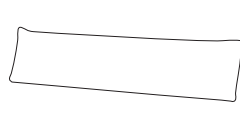
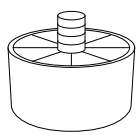
6

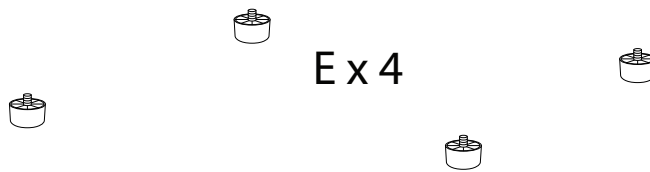
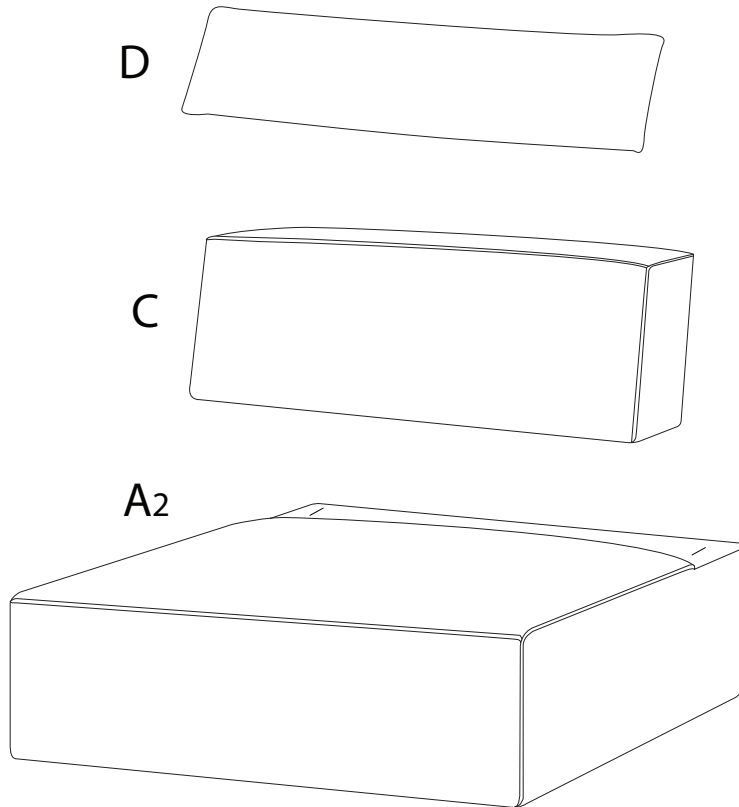


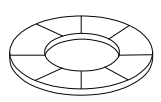
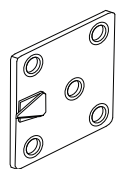
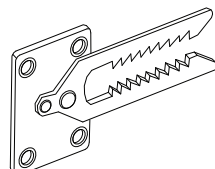
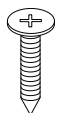
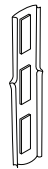
7



B

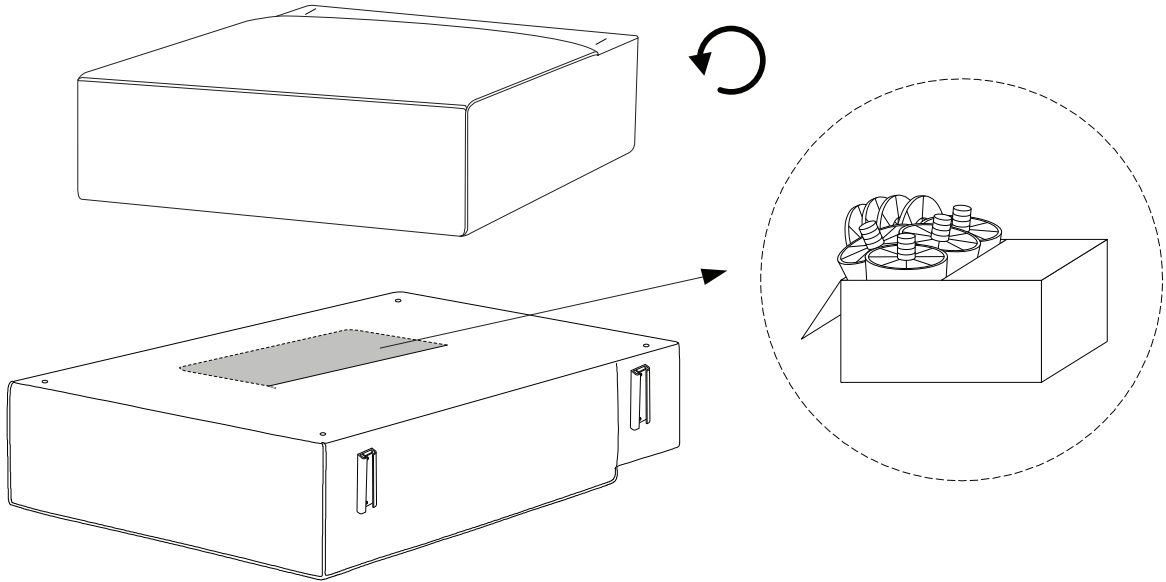
<p>A₂</p> 	<p>C</p> 	<p>D</p> 	<p>E</p> 
<p>x 1</p>	<p>x 1</p>	<p>x 1</p>	<p>x 4</p>



<p>F</p> 	<p>G₁</p> 	<p>G₂</p> 	<p>H</p>  <p>M5 x 30</p>	<p>I</p> 
<p>x 4</p>	<p>x 2</p>	<p>x 2</p>	<p>x 18</p>	<p>x 2</p>

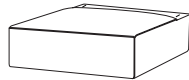
!

A₂



1

A₂



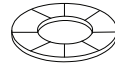
x 1

E

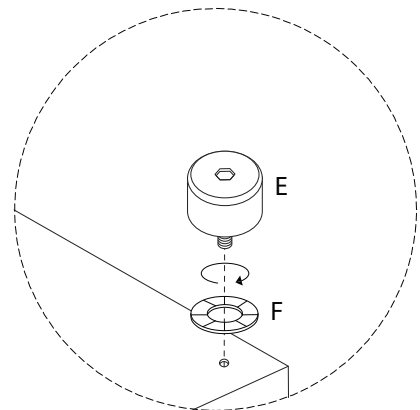
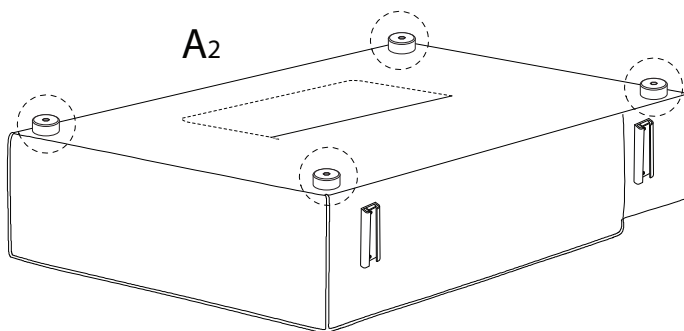


x 4

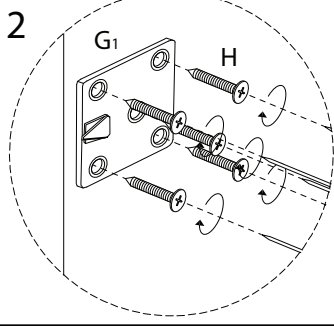
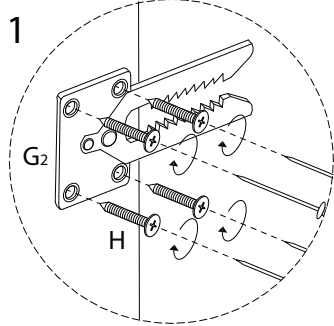
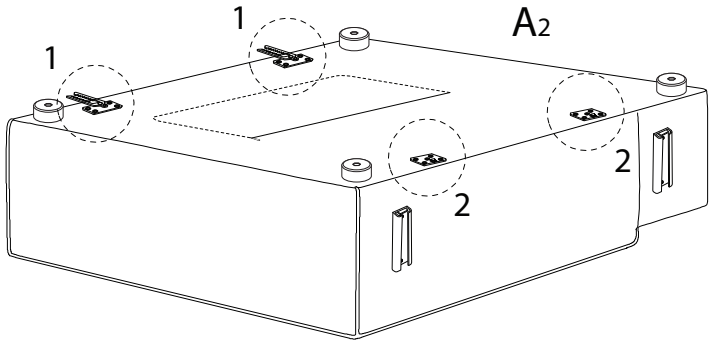
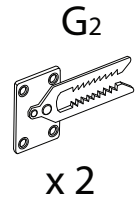
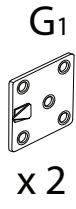
F



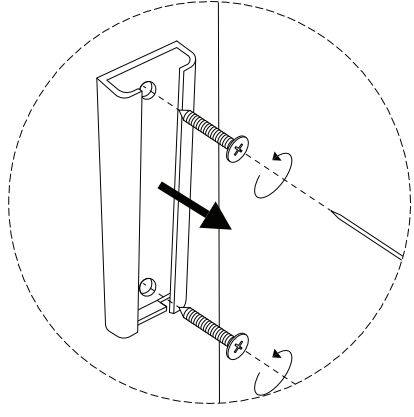
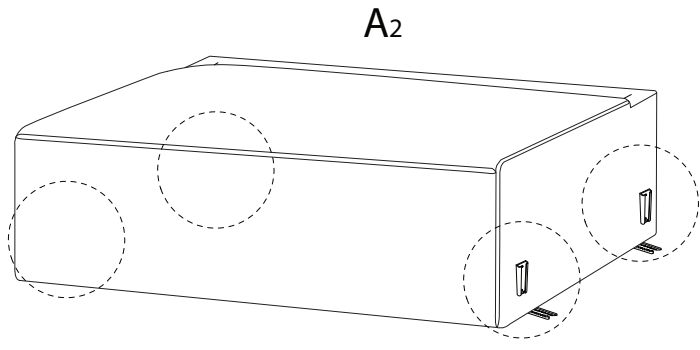
x 4



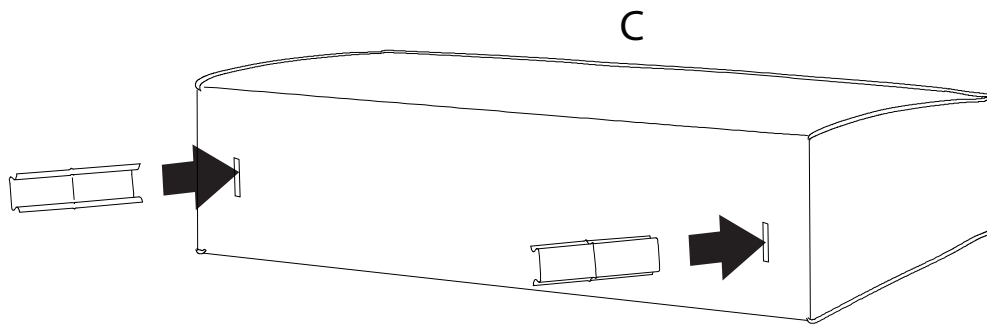
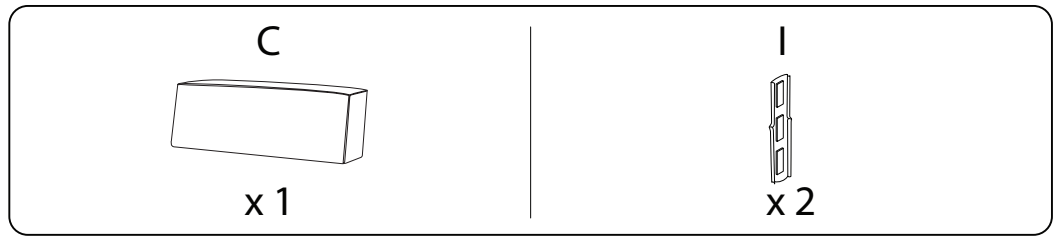
2



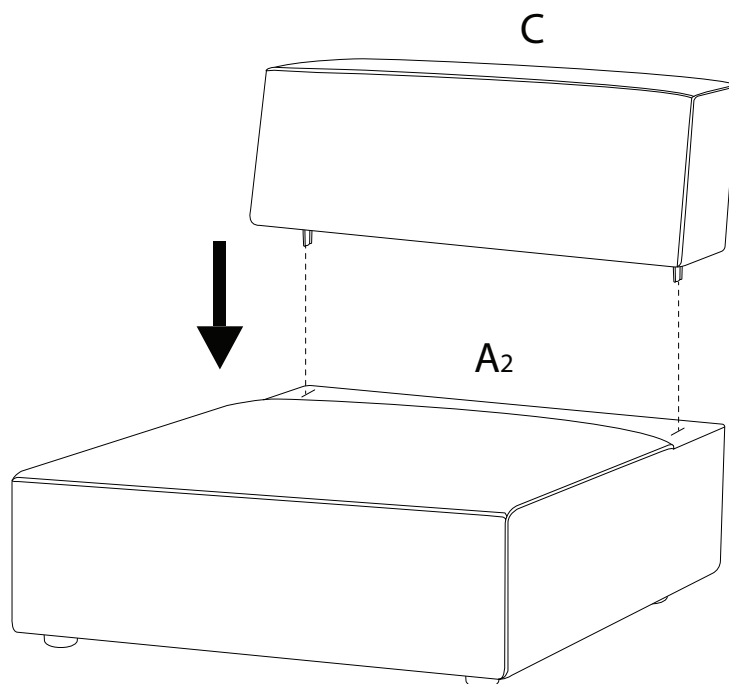
3



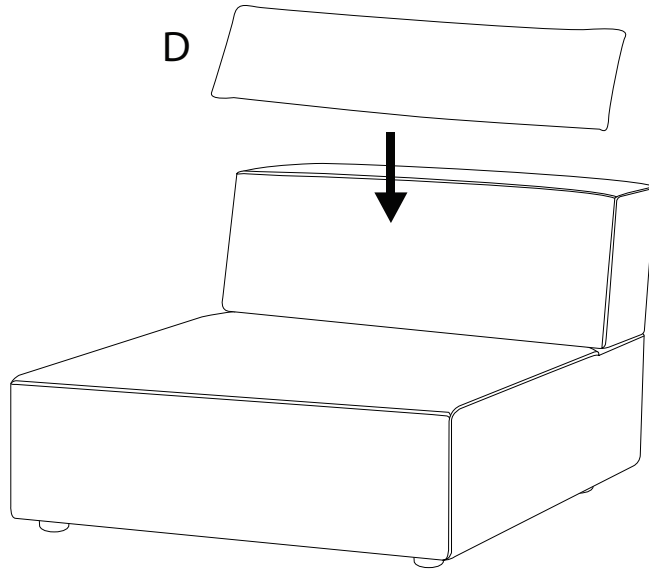
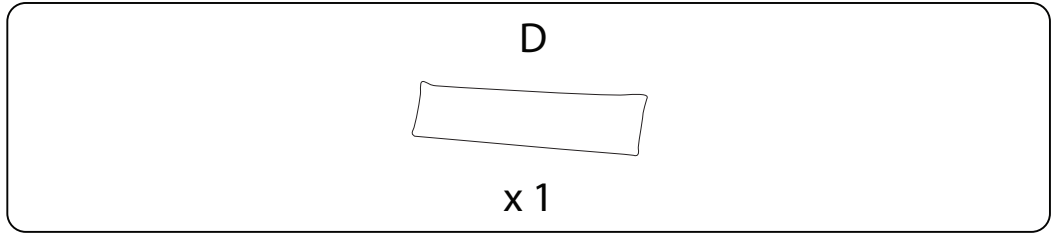
4



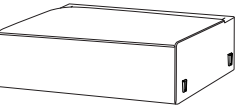
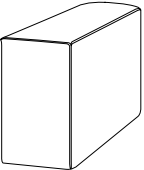
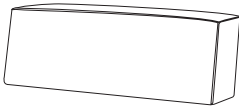

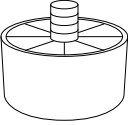
5

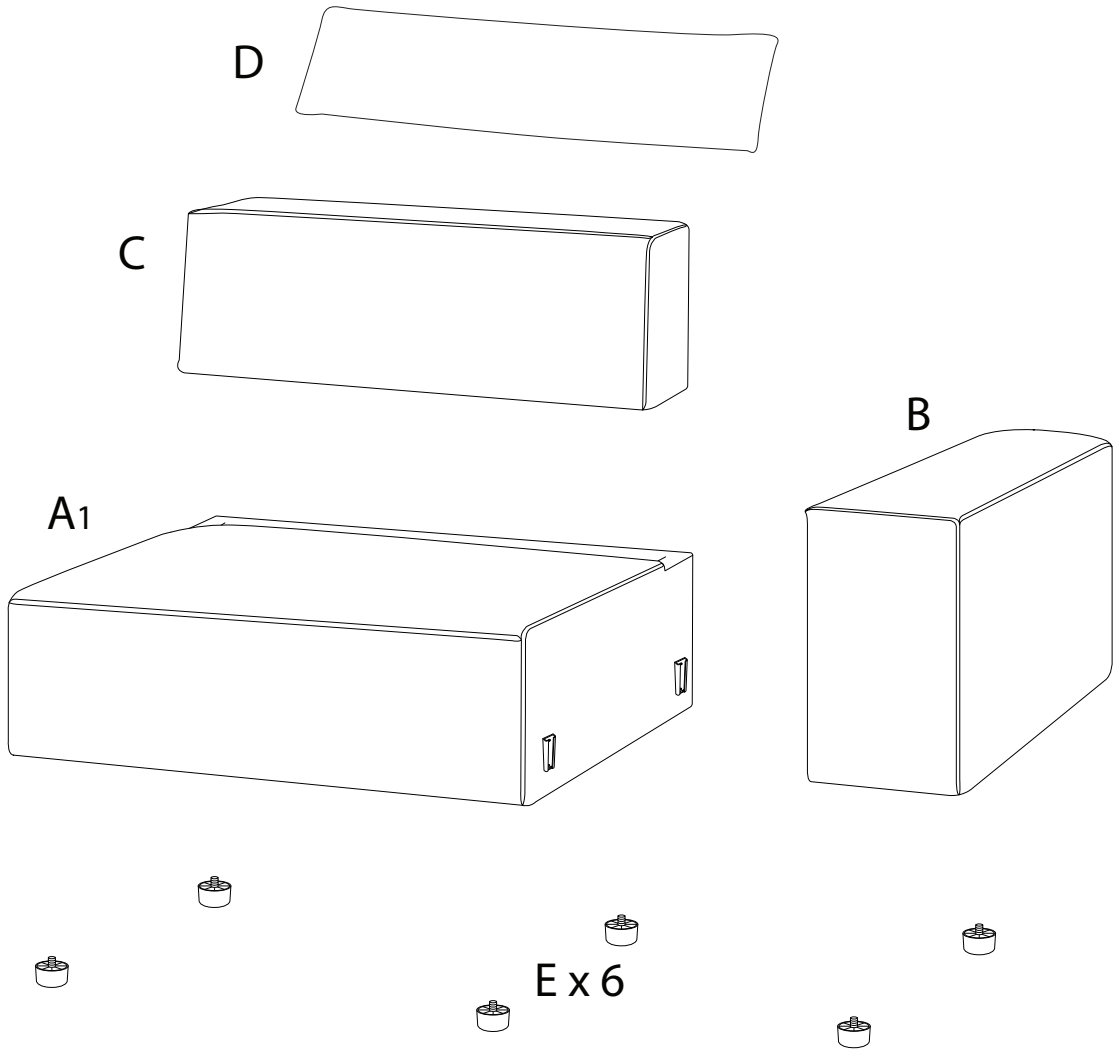


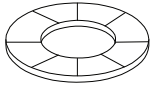
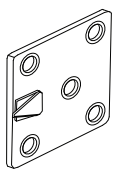
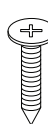
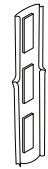
6



C

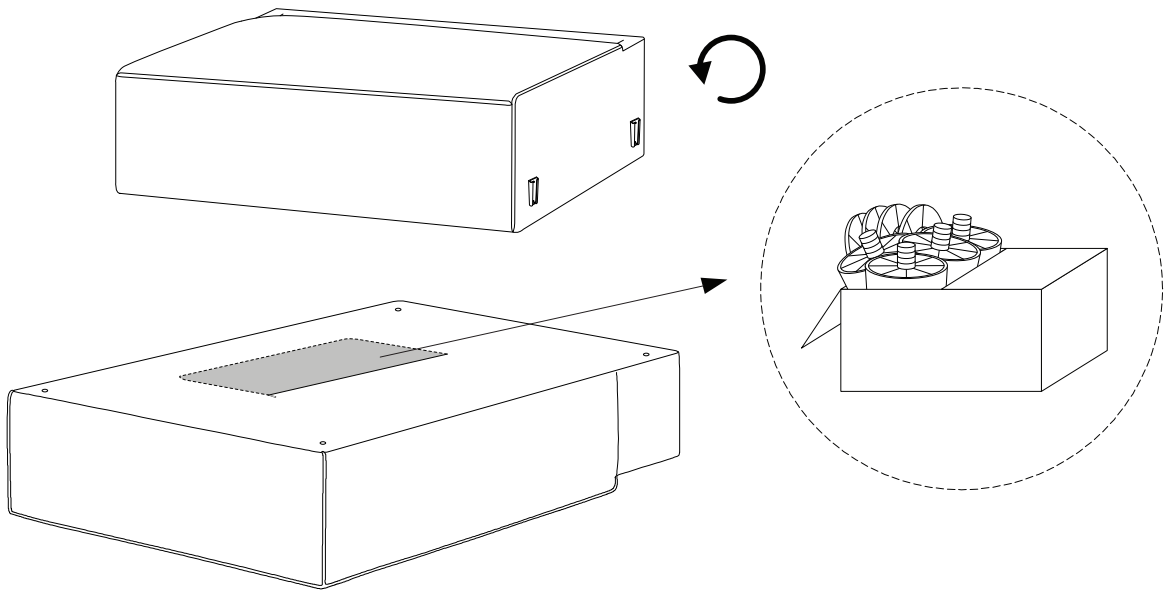
A₁  x 1	B  x 1	C  x 1	D  x 1	E  x 6
---	---	---	--	---



F  x 6	G₁  x 2	H  M5 x 30 x 10	I  x 2
---	---	---	---

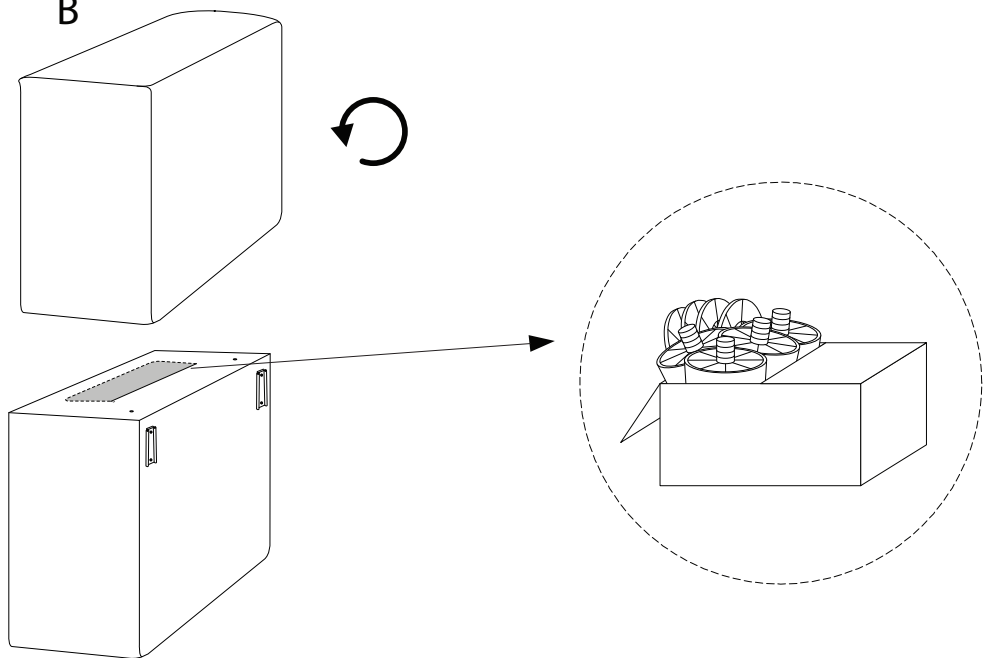
!

A₁

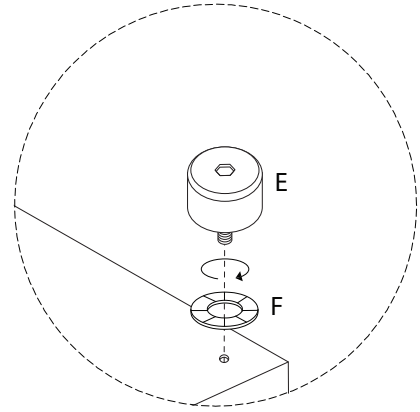
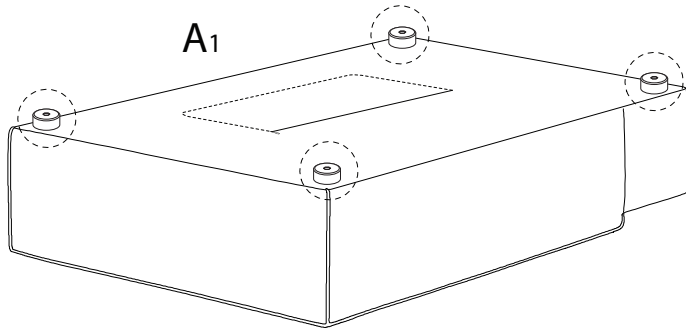
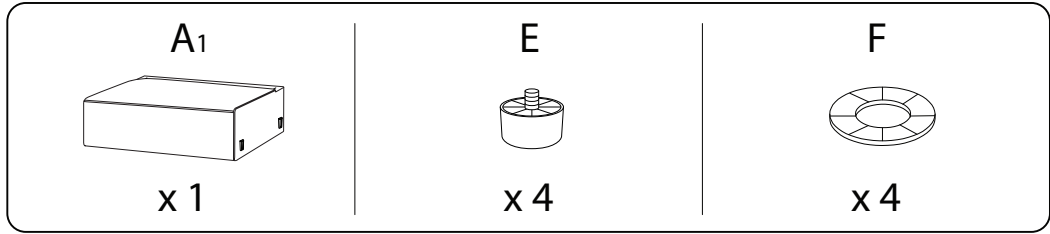


!

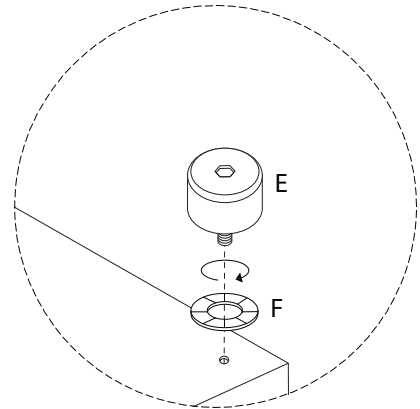
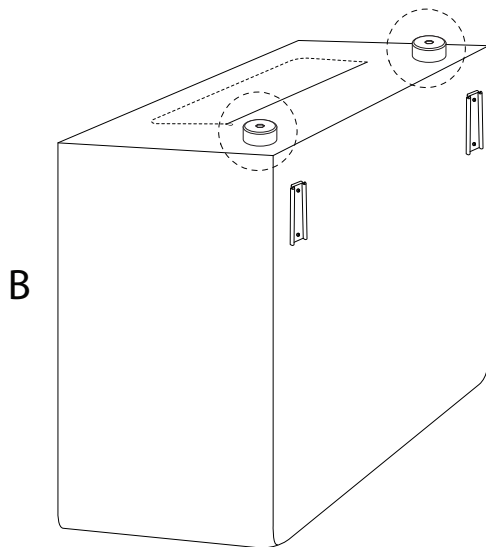
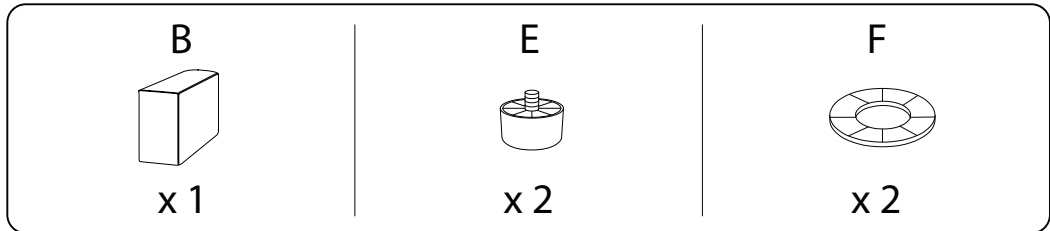
B



1

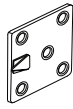


2



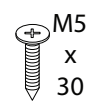
3

G₁

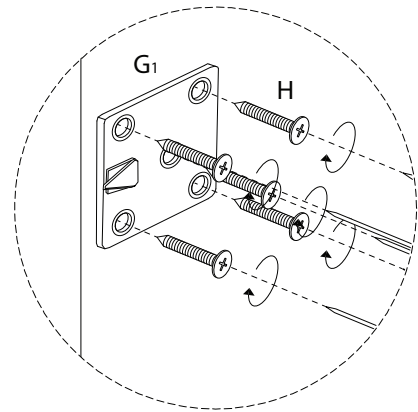
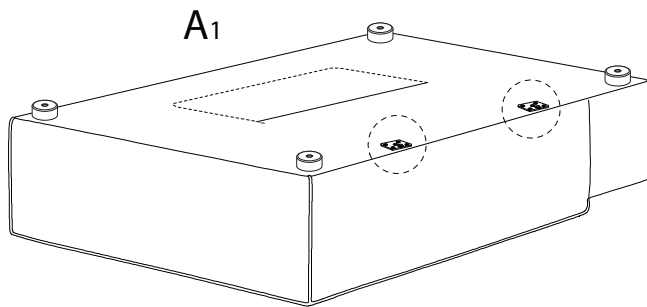


x 2

H



x 10



4

C

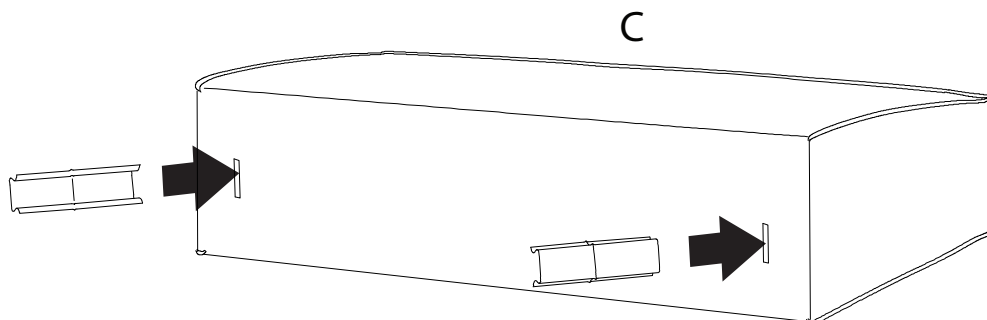


x 1

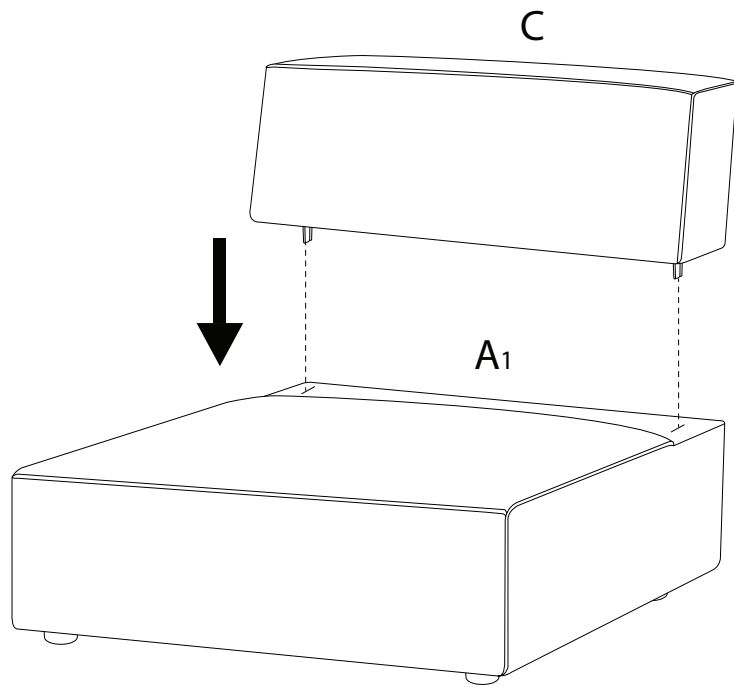
I



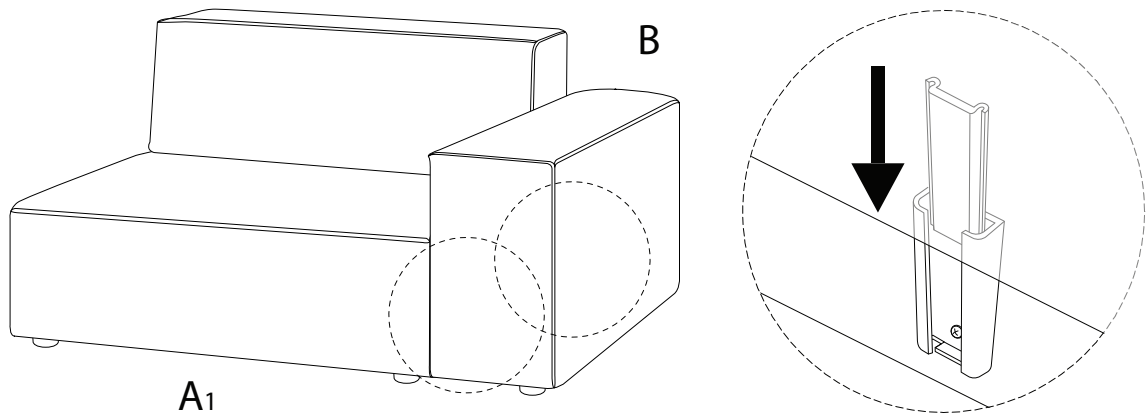
x 2



5

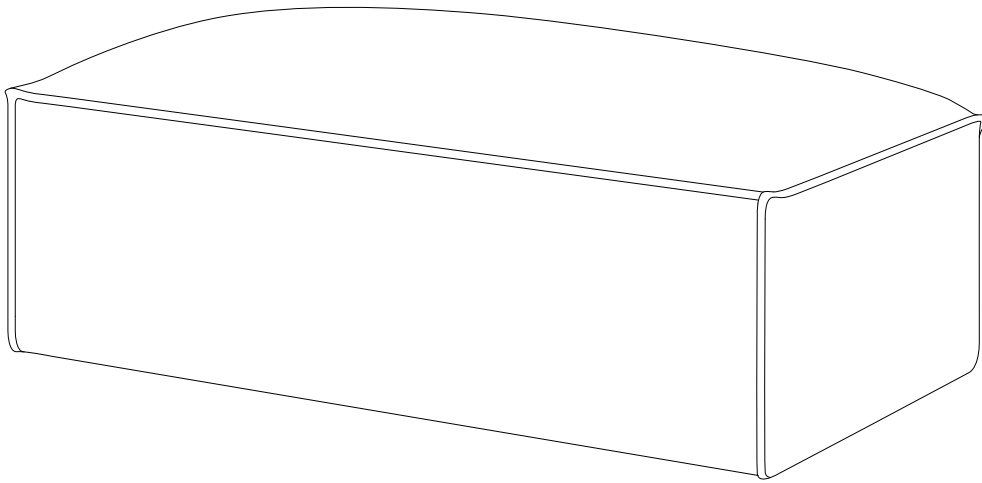


6



D

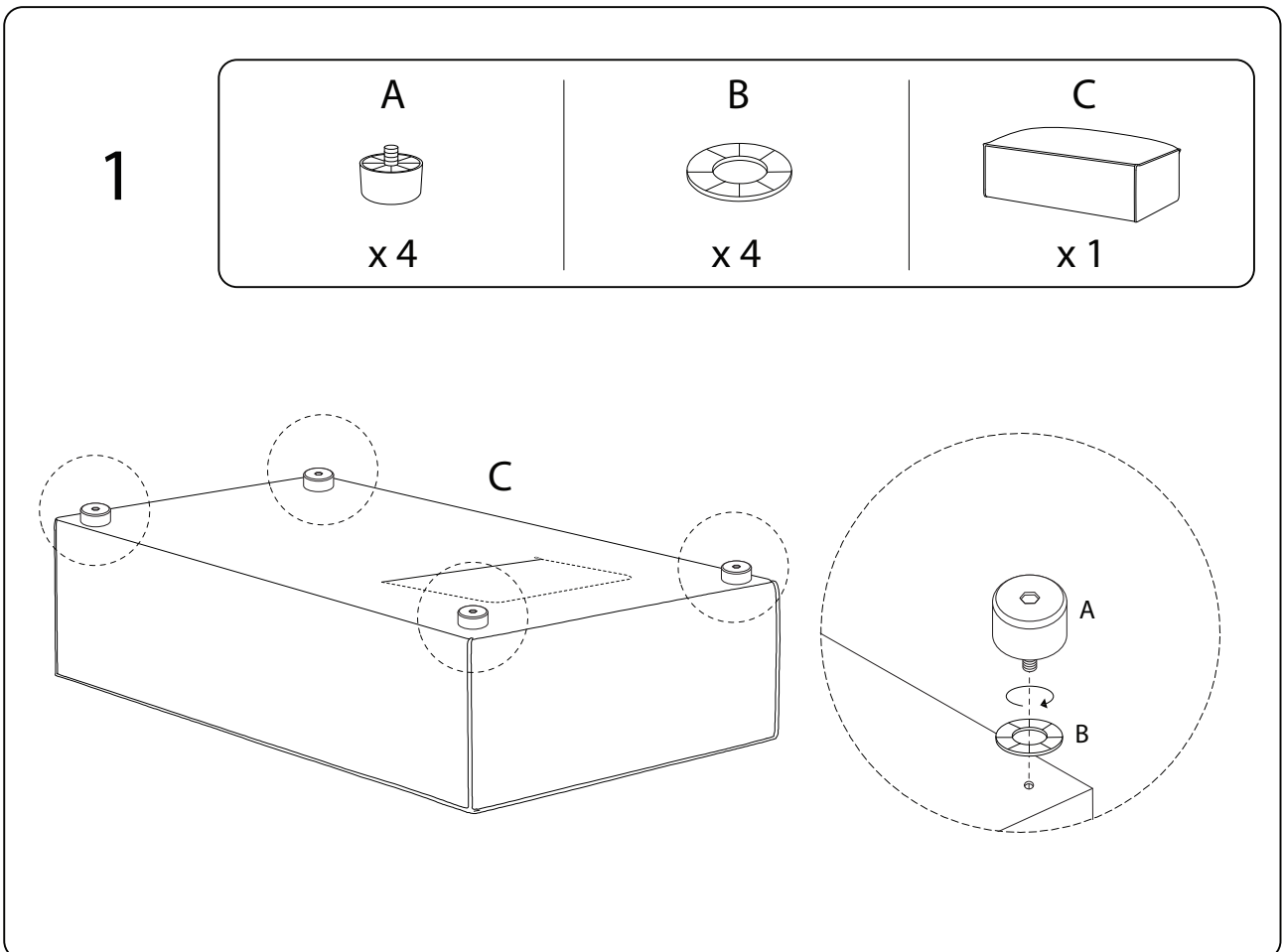
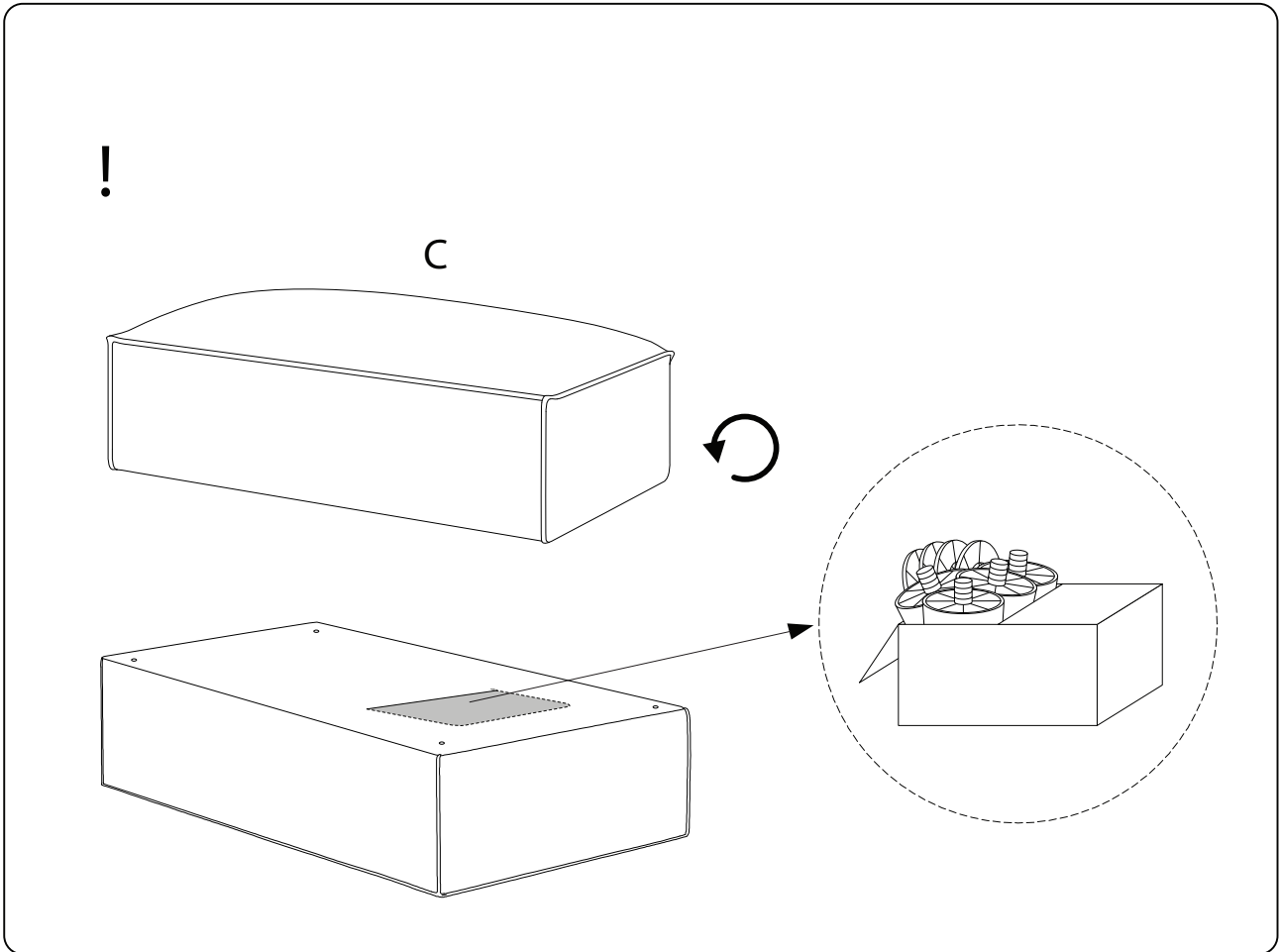
C



A x 4



A	B	C
x 4	x 4	x 1



!

